



US00D566619S

(12) **United States Design Patent**
Bushell

(10) **Patent No.:** **US D566,619 S**

(45) **Date of Patent:** **** Apr. 15, 2008**

(54) **VEHICLE**

(75) Inventor: **Anthony John Bushell**, Birmingham
(GB)

(73) Assignee: **Perusahaan Otomobil Nasional Sdn.
Bhd.**, Selangor Darul Ehsan (MY)

(**) Term: **14 Years**

(21) Appl. No.: **29/263,038**

(22) Filed: **Jul. 14, 2006**

(30) **Foreign Application Priority Data**

Jan. 19, 2006 (MY) 06-00031

(51) **LOC (8) Cl.** **12-08**

(52) **U.S. Cl.** **D12/86**

(58) **Field of Classification Search** D21/1,
D21/16, 85-88, 90-93, 96, 98, 424, 433,
D21/434; 296/181.1, 181.3, 185.1, 183.1,
296/37.6, 183, 24.1, 181.5, 186.1, 187.1,
296/187.13, 190.08, 203.1, FOR. 111, FOR. 115;
D12/95, 99, 109, 112, 117; 180/233, 311,
180/89.1

See application file for complete search history.

(56) **References Cited**

U.S. PATENT DOCUMENTS

D419,486 S * 1/2000 Crain et al. D12/91
D432,949 S * 10/2000 Pfeiffer D12/91
D432,951 S * 10/2000 Pfeiffer et al. D12/92
D434,346 S * 11/2000 Pfeiffer D12/92
D434,700 S * 12/2000 Grinn D12/92
D457,467 S * 5/2002 Shimizu D12/86
D458,187 S * 6/2002 Shimizu D12/86
D479,492 S * 9/2003 Gale et al. D12/91

D483,696 S * 12/2003 Howell et al. D12/92
D490,023 S * 5/2004 Howell et al. D12/92
D490,024 S * 5/2004 Zavatski et al. D12/92
D491,105 S * 6/2004 Kim et al. D12/91
D521,900 S * 5/2006 Schumacher D12/86
D524,188 S * 7/2006 Tampi D12/91
D525,169 S * 7/2006 Schumacher D12/86
D525,566 S * 7/2006 Thole D12/92
D526,933 S * 8/2006 Schumacher D12/86
D534,098 S * 12/2006 Schell D12/92
D534,459 S * 1/2007 Kim et al. D12/91
D538,710 S * 3/2007 Hsu D12/91
D539,703 S * 4/2007 Woodhouse et al. D12/92
D541,702 S * 5/2007 D'Aprile et al. D12/91
D553,050 S * 10/2007 Barrington et al. D12/91

* cited by examiner

Primary Examiner—Sandra Snapp

(74) *Attorney, Agent, or Firm*—Fay Sharpe LLP

(57) **CLAIM**

The ornamental design for a vehicle, as shown and described.

DESCRIPTION

FIG. 1 is a front perspective view of a vehicle showing my design;

FIG. 2 is a rear perspective view of a vehicle showing my design;

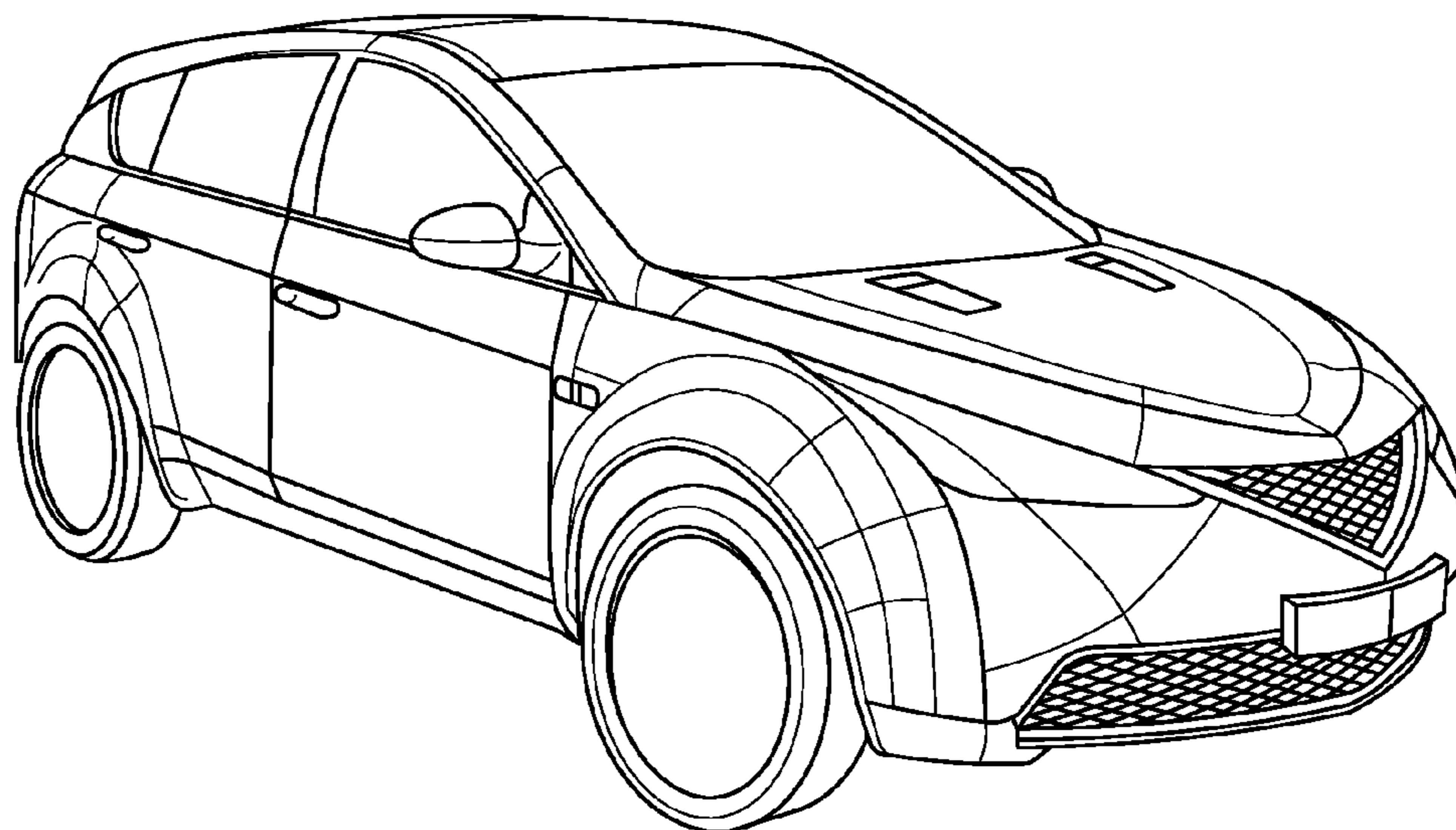
FIG. 3 is a front view of a vehicle showing my design;

FIG. 4 is a rear view of a vehicle showing my design;

FIG. 5 is a top view of a vehicle showing my design; and,

FIG. 6 is a side view of a vehicle showing my design (the opposite side is a mirror image).

1 Claim, 6 Drawing Sheets



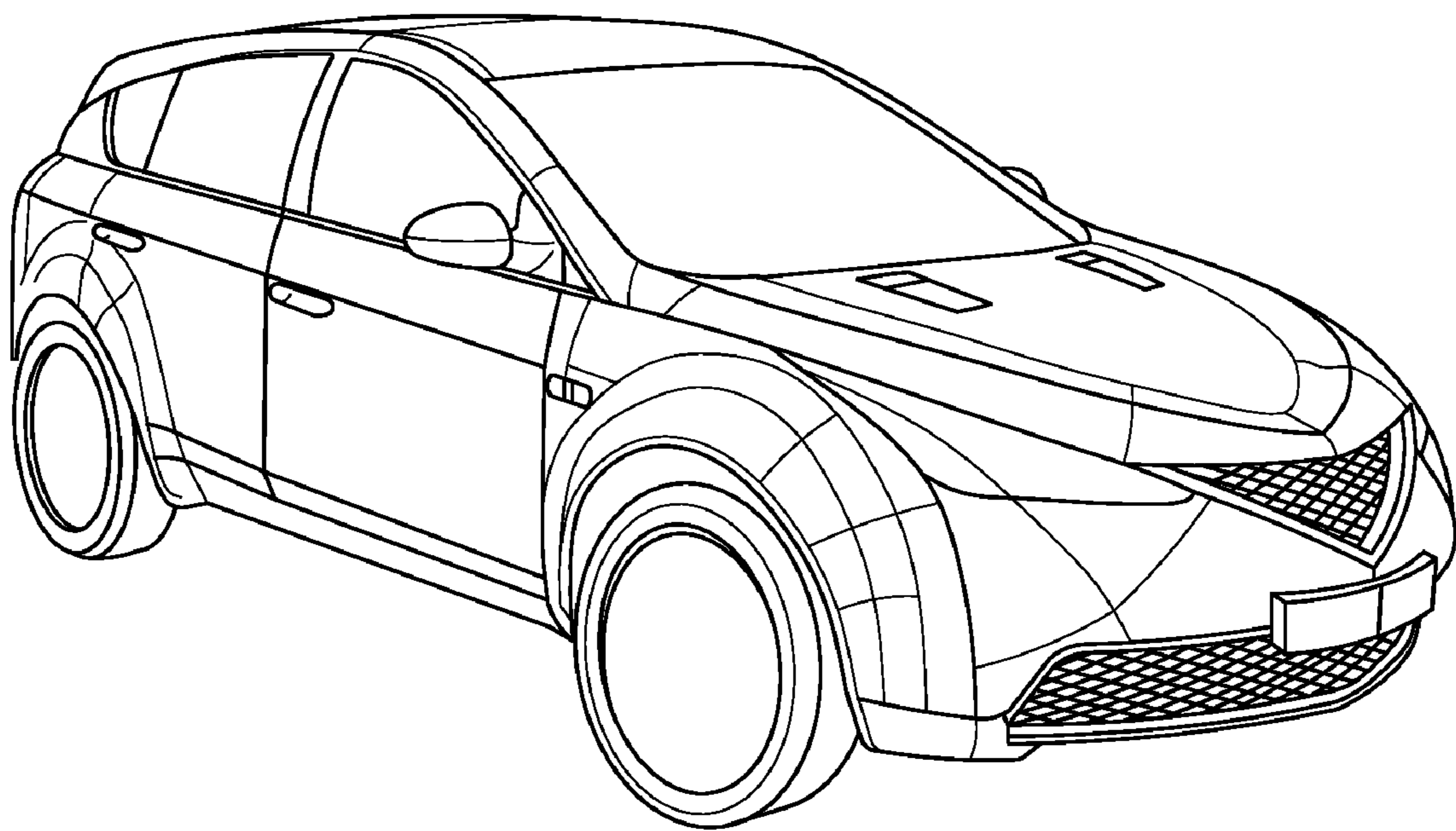


FIG. 1

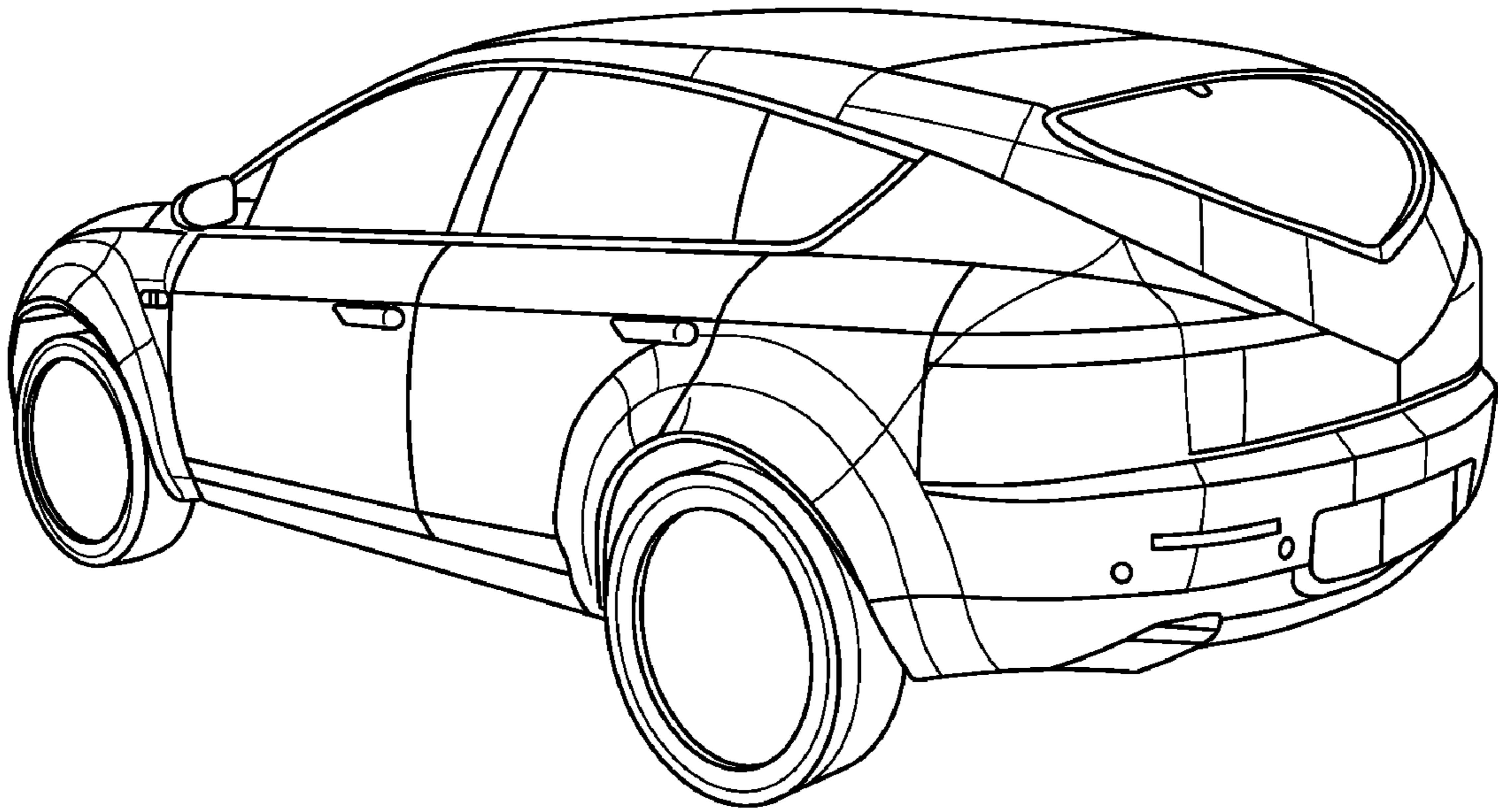


FIG. 2

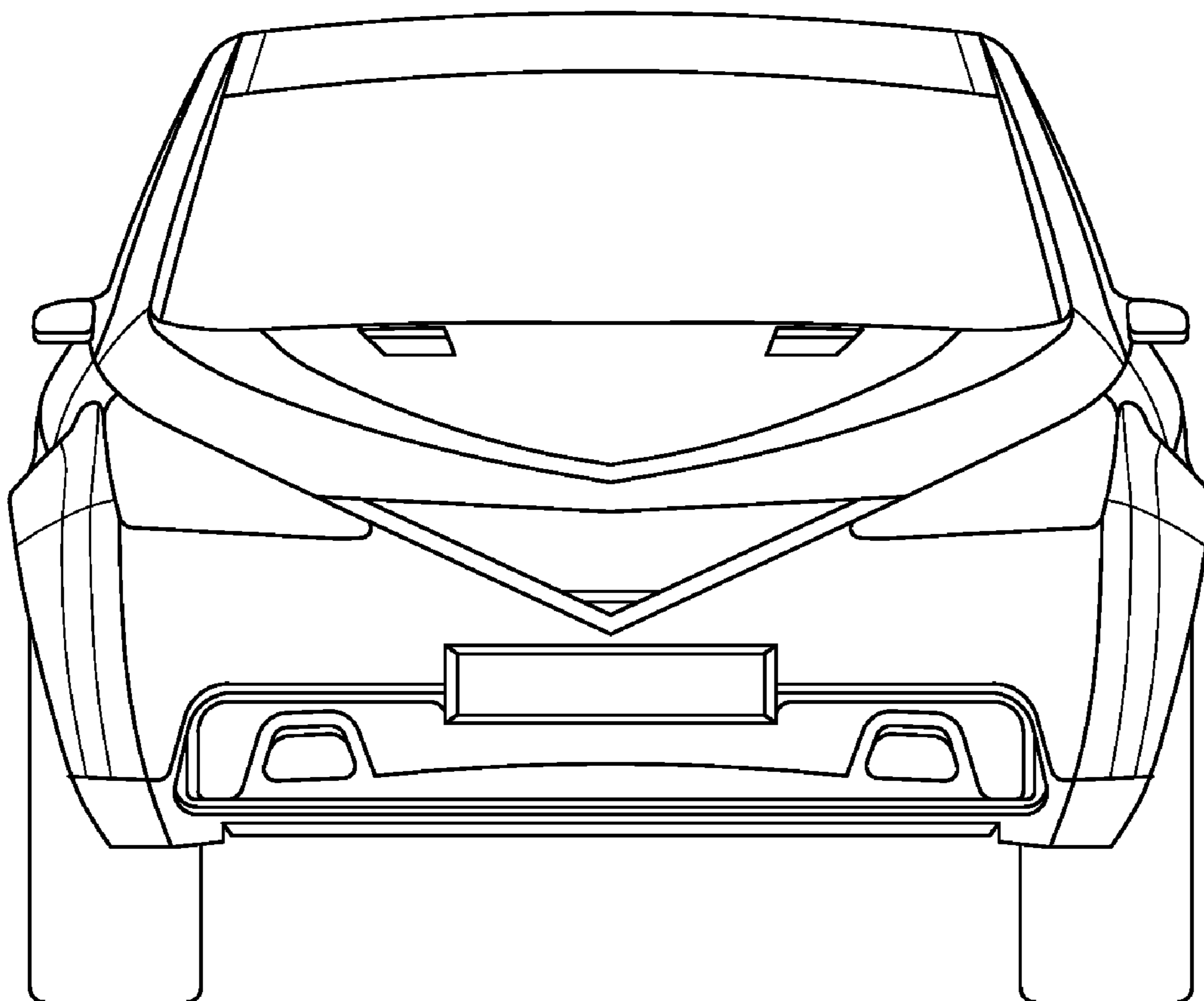


FIG. 3

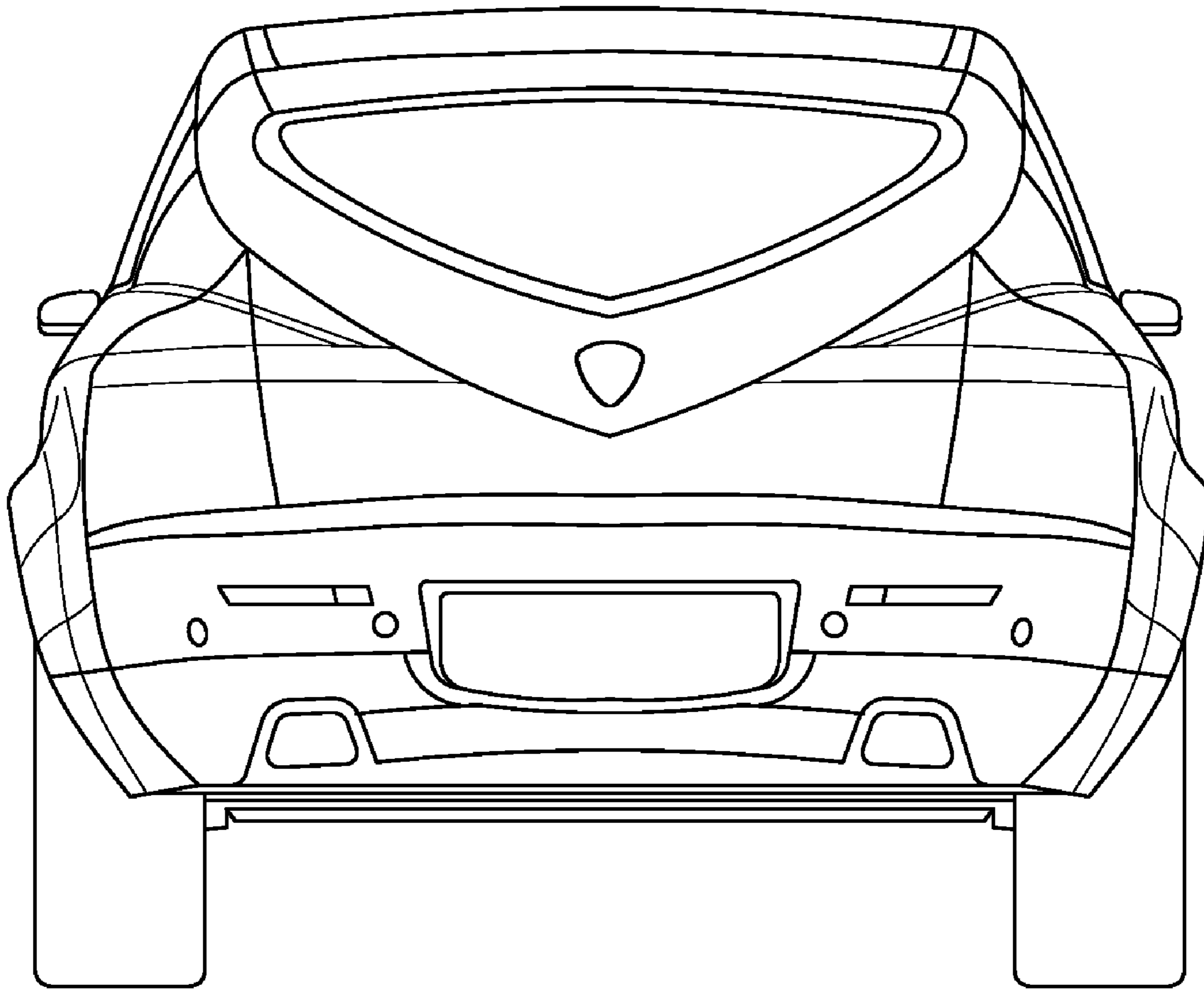


FIG. 4

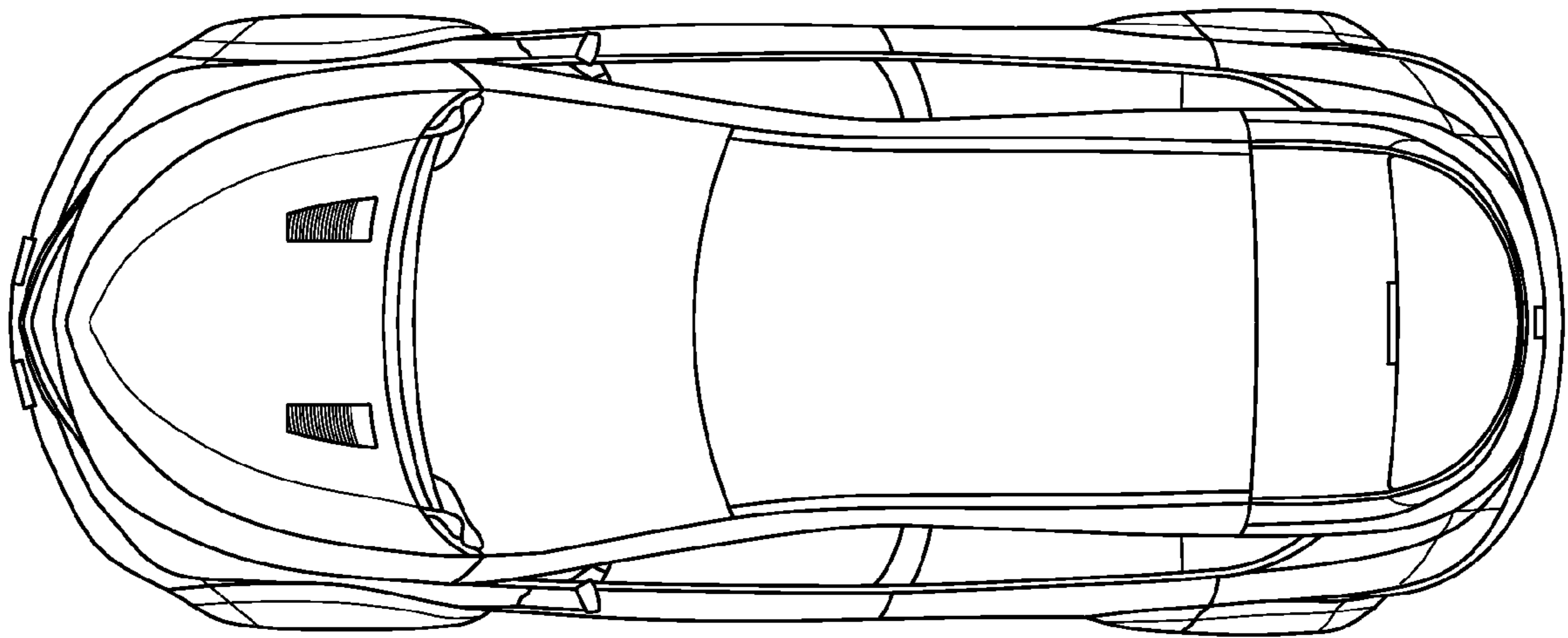


FIG. 5

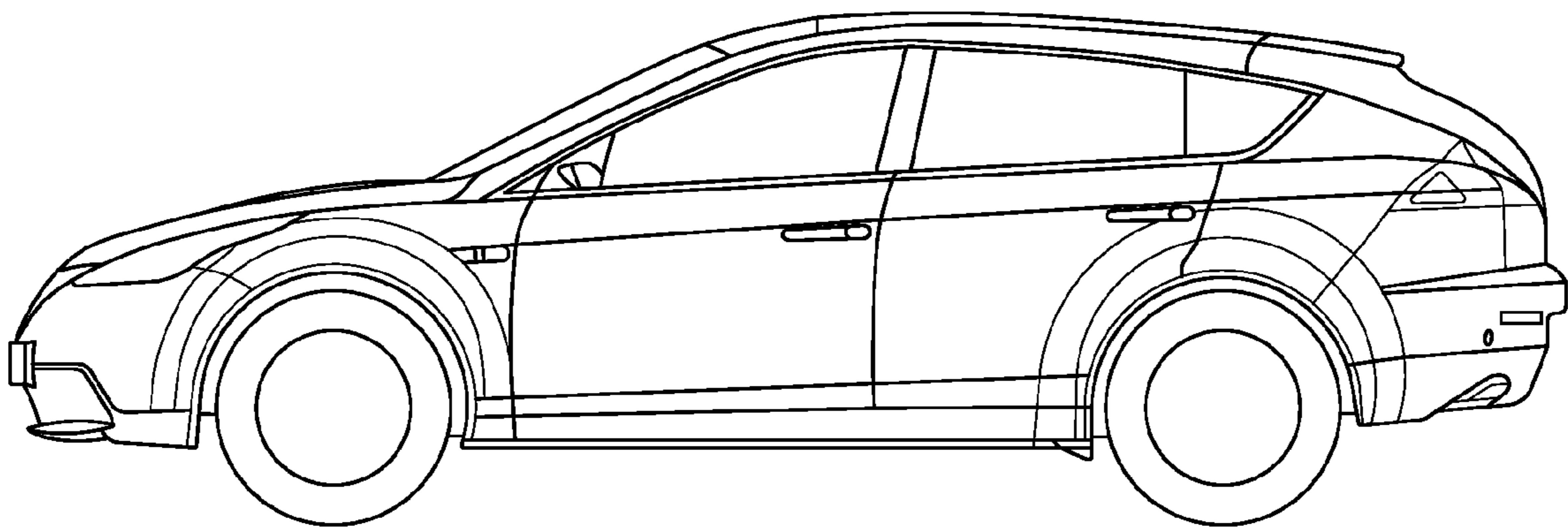


FIG. 6