



US00D566618S

(12) **United States Design Patent**
James

(10) **Patent No.:** **US D566,618 S**

(45) **Date of Patent:** **** Apr. 15, 2008**

(54) **MAGNETIC FLAG HOLDER**

(76) Inventor: **David L. James**, 15114 S. Shadow
Creek Dr., Biloxi, MS (US) 39532

(**) Term: **14 Years**

(21) Appl. No.: **29/278,593**

(22) Filed: **Apr. 3, 2007**

(51) **LOC (8) Cl.** **11-05**

(52) **U.S. Cl.** **D11/182**

(58) **Field of Classification Search** D11/165–167,
D11/181–183; 116/173–175, 28 R; 248/519,
248/536, 537, 539; D20/41, 42; 40/600,
40/607.1

See application file for complete search history.

(56) **References Cited**

U.S. PATENT DOCUMENTS

3,798,816	A *	3/1974	Flaherty	40/218
D350,311	S *	9/1994	Willis et al.	D11/182
5,472,163	A *	12/1995	Callas	40/600
D464,912	S *	10/2002	Powell	D11/166
6,964,403	B2 *	11/2005	Fox	248/537
D522,915	S *	6/2006	Bruckler	D11/182

* cited by examiner

Primary Examiner—Louis S. Zarfes

Assistant Examiner—Anhdao Doan

(74) *Attorney, Agent, or Firm*—Kenneth M. Bush; Bush
Intellectual Property Law

(57) **CLAIM**

The ornamental design for a magnetic flag holder, as shown
and described.

DESCRIPTION

FIG. 1 is a front perspective view of a magnetic flag holder
showing my new design;

FIG. 2 is a rear perspective view thereof;

FIG. 3 is a front elevational view thereof;

FIG. 4 is a rear elevational view thereof;

FIG. 5 is a top plan view thereof;

FIG. 6 is a bottom view thereof;

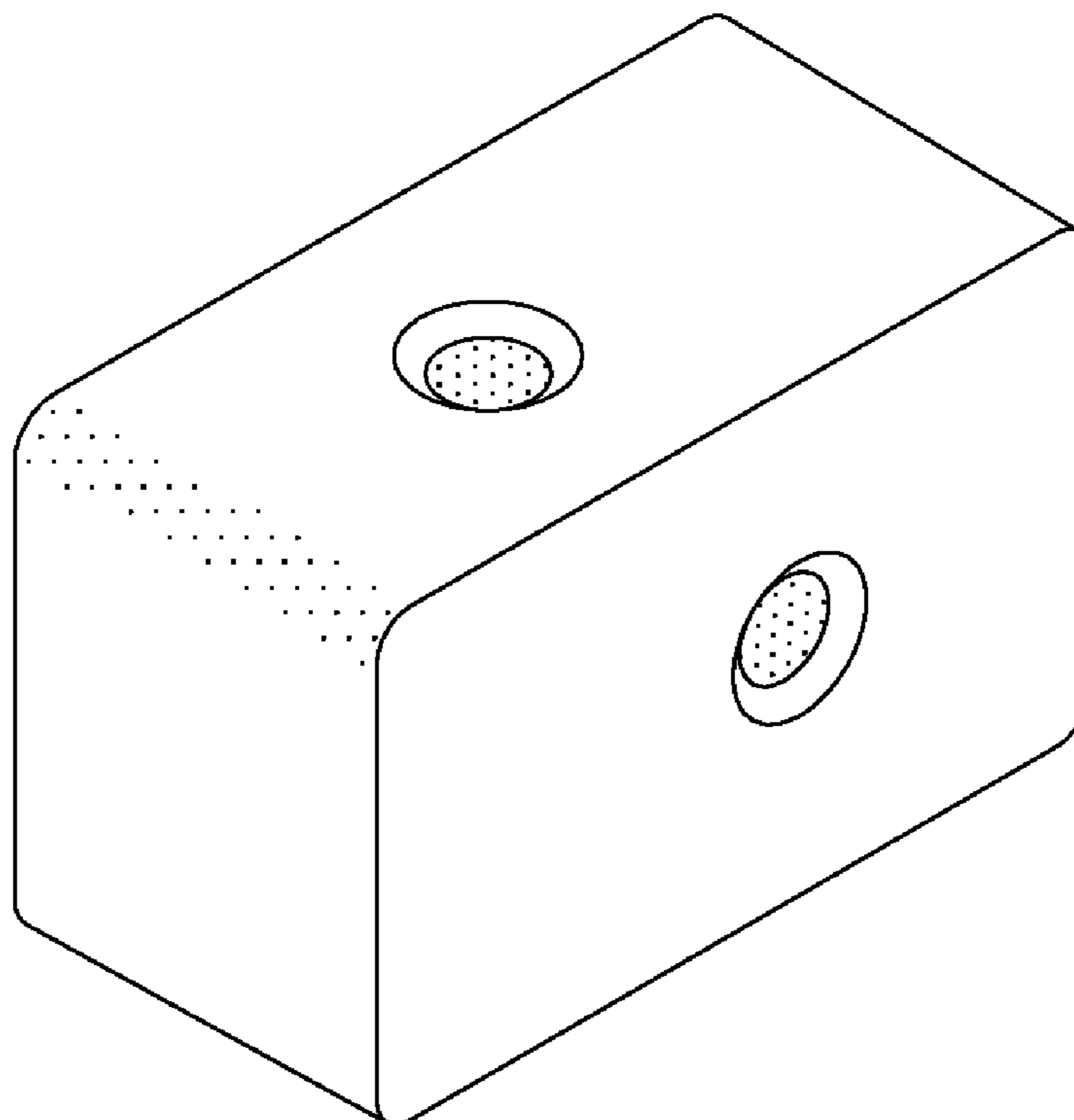
FIG. 7 is a left side elevational view thereof;

FIG. 8 is a right side elevational view thereof; and,

FIG. 9 is a front perspective view thereof with a flag secured
in a receptacle.

The broken lines in FIG. 9 depict unclaimed subject matter
and form no part of the claimed design. The dots in FIGS.
1–3, 5 and 9 represent shading.

1 Claim, 3 Drawing Sheets



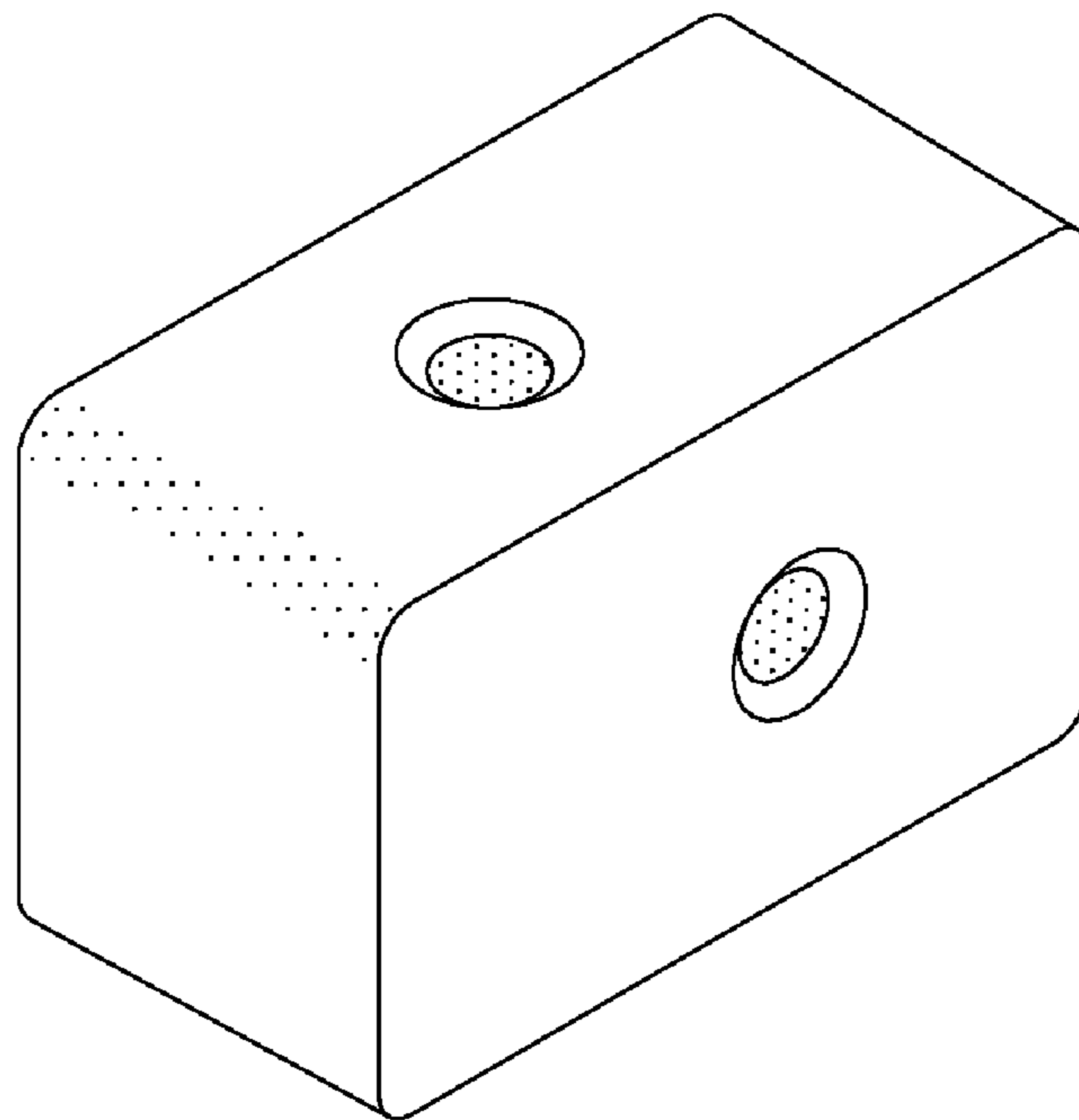


FIG. 1

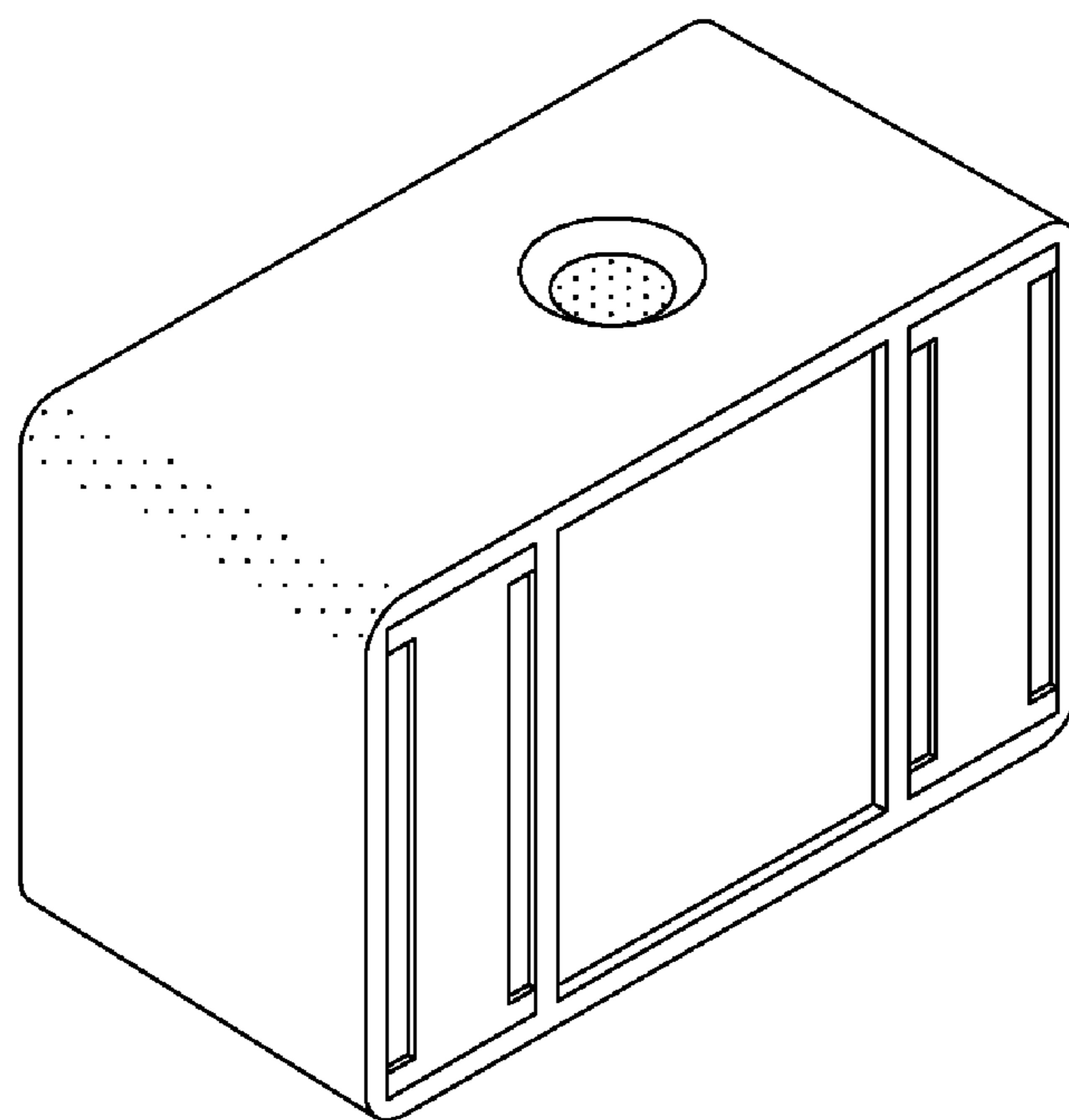


FIG. 2

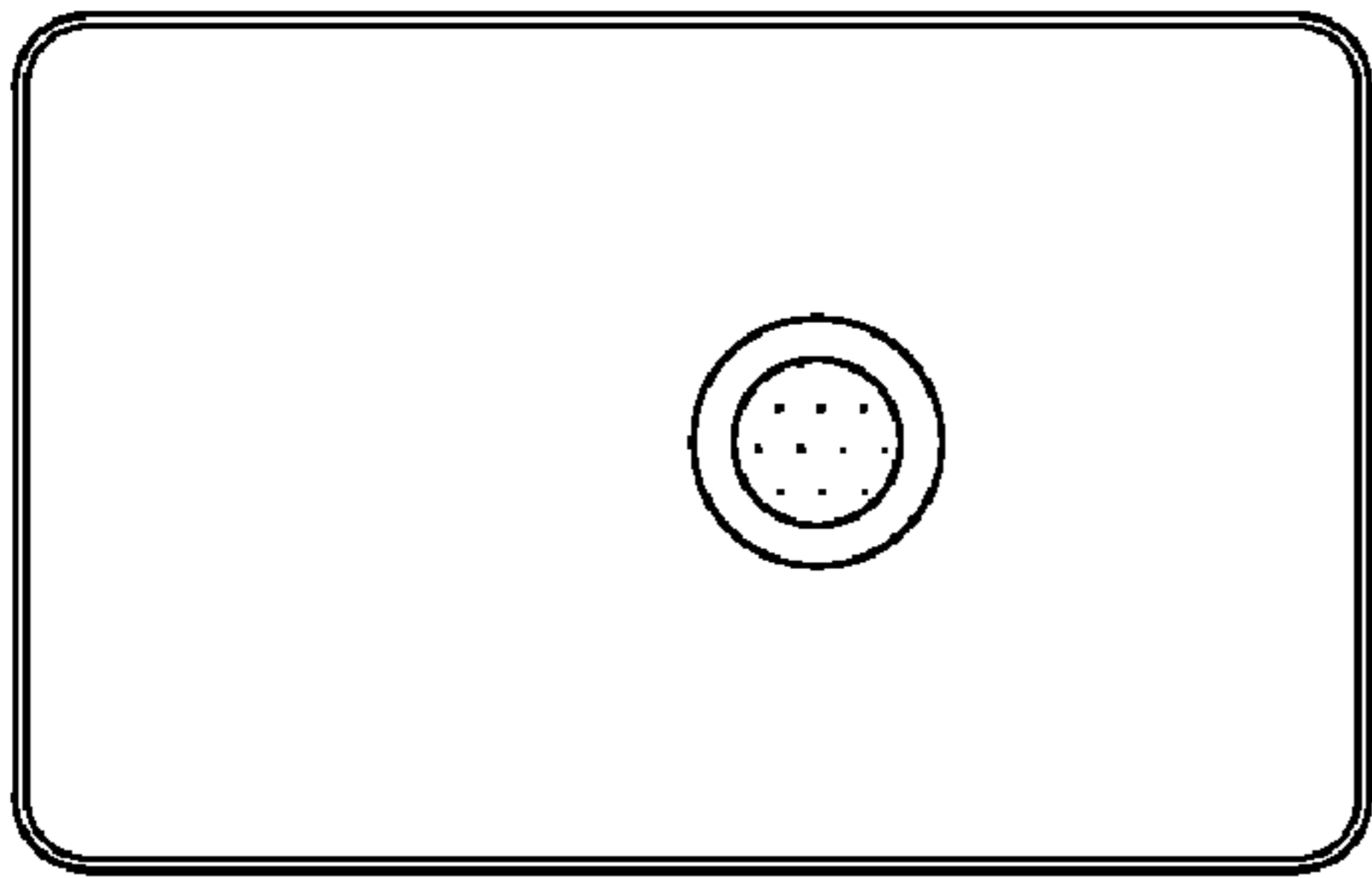


FIG. 3

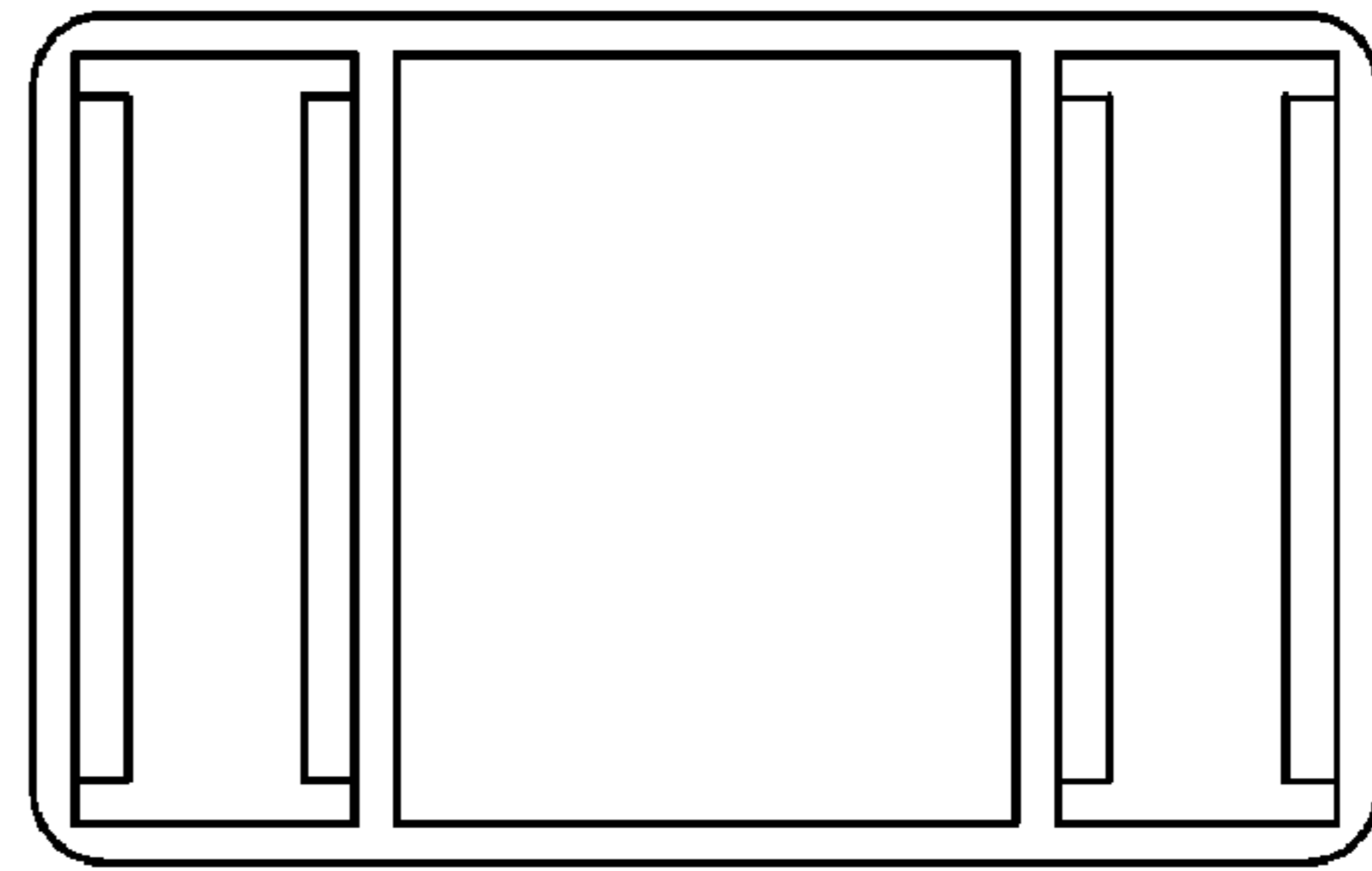


FIG. 4

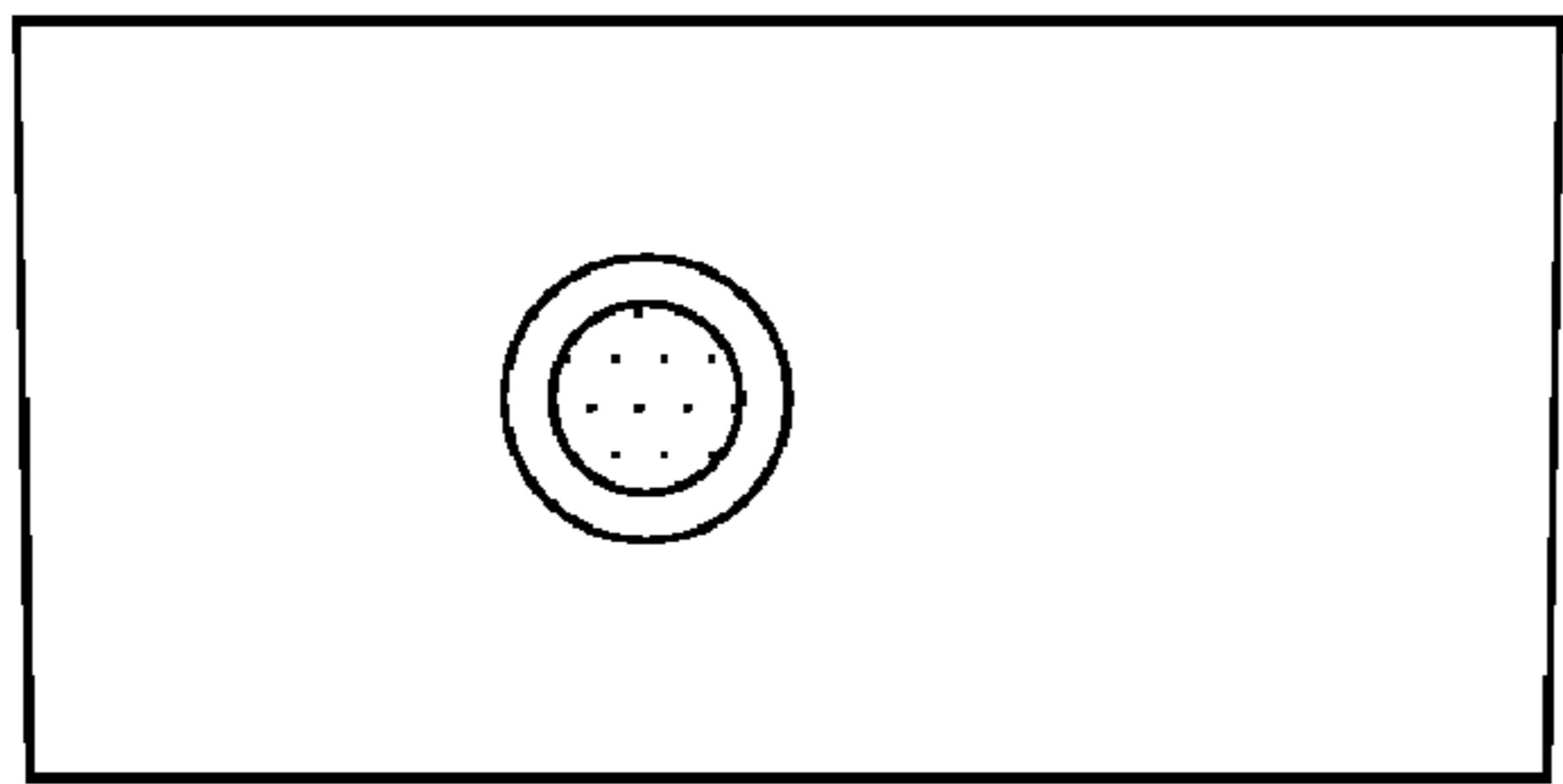


FIG. 5

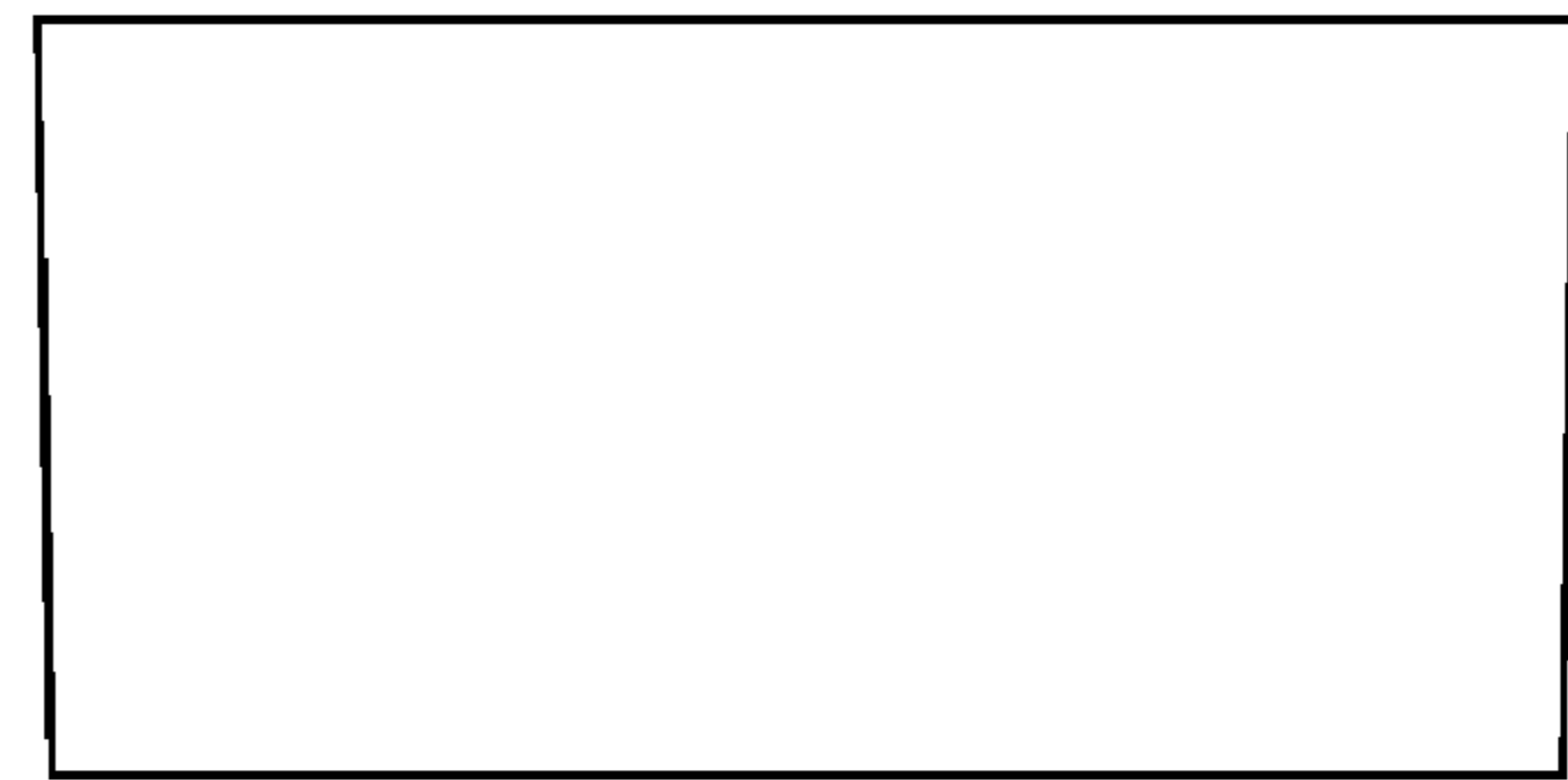


FIG. 6

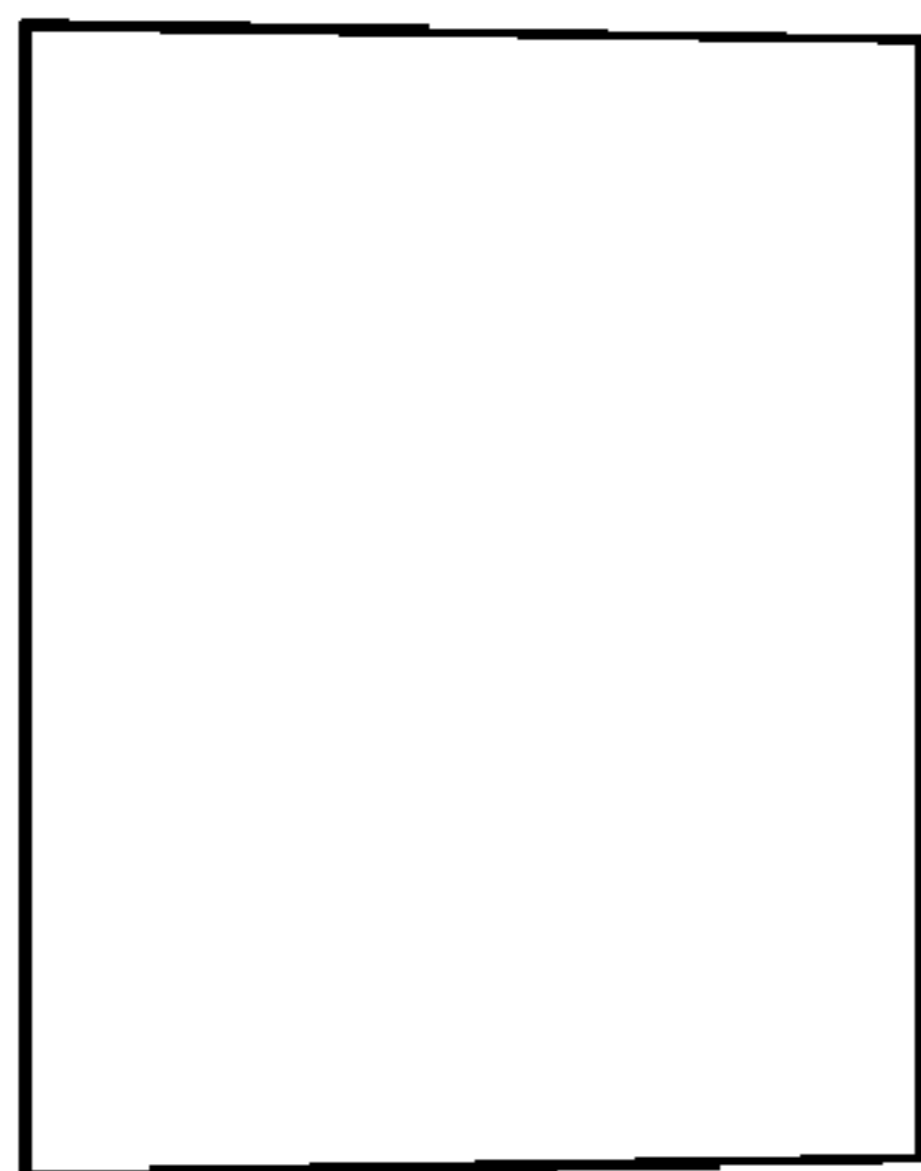


FIG. 7



FIG. 8

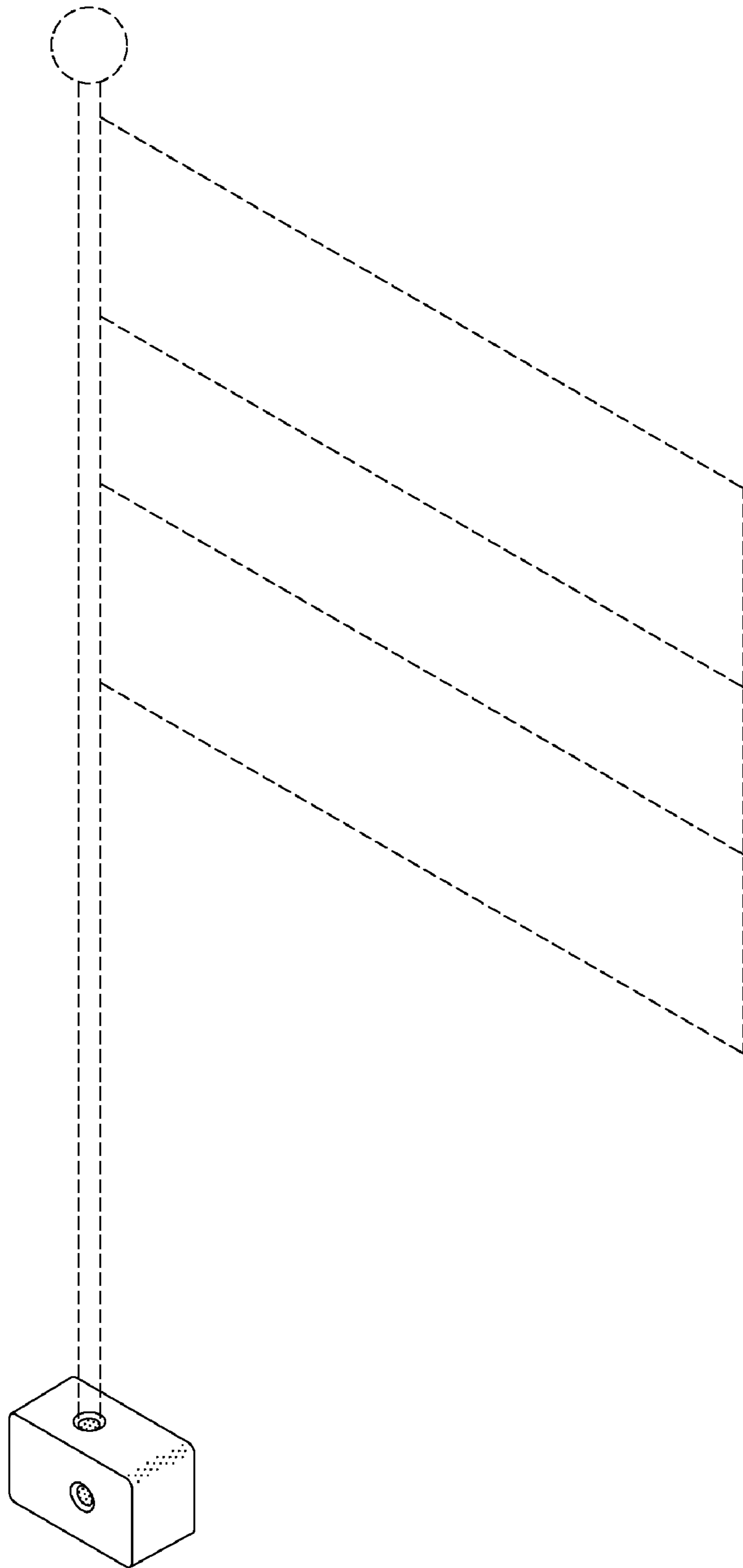


FIG. 9