



US00D566607S

(12) **United States Design Patent**  
**Yepremian**

(10) **Patent No.:** **US D566,607 S**

(45) **Date of Patent:** **\*\* Apr. 15, 2008**

(54) **GEMSTONE**

(76) **Inventor:** **Sylva Yepremian**, 601 S. Hill St. D-1,  
Los Angeles, CA (US) 90014

(\*\*) **Term:** **14 Years**

(21) **Appl. No.:** **29/247,728**

(22) **Filed:** **Jul. 6, 2006**

(51) **LOC (8) Cl.** ..... **11-01**

(52) **U.S. Cl.** ..... **D11/90**

(58) **Field of Classification Search** ..... D11/1-2,  
D11/26-29, 89-92; 63/26-28, 32  
See application file for complete search history.

(56) **References Cited**

**U.S. PATENT DOCUMENTS**

D446,152 S \* 8/2001 Kejajian ..... D11/90

D490,742 S \* 6/2004 Kejajian ..... D11/90

D507,505 S \* 7/2005 Ambar ..... D11/90

D522,909 S \* 6/2006 Ambar ..... D11/90

\* cited by examiner

*Primary Examiner*—Ralf Seifert

(74) *Attorney, Agent, or Firm*—SoCal IP Law Group LLP;  
Steven C. Sereboff

(57) **CLAIM**

The ornamental design for a gemstone, as shown and described.

**DESCRIPTION**

The nature and intended use of the gemstone is for jewelry.

FIG. 1 is a top view of the gemstone.

FIG. 2 is a bottom view of the gemstone.

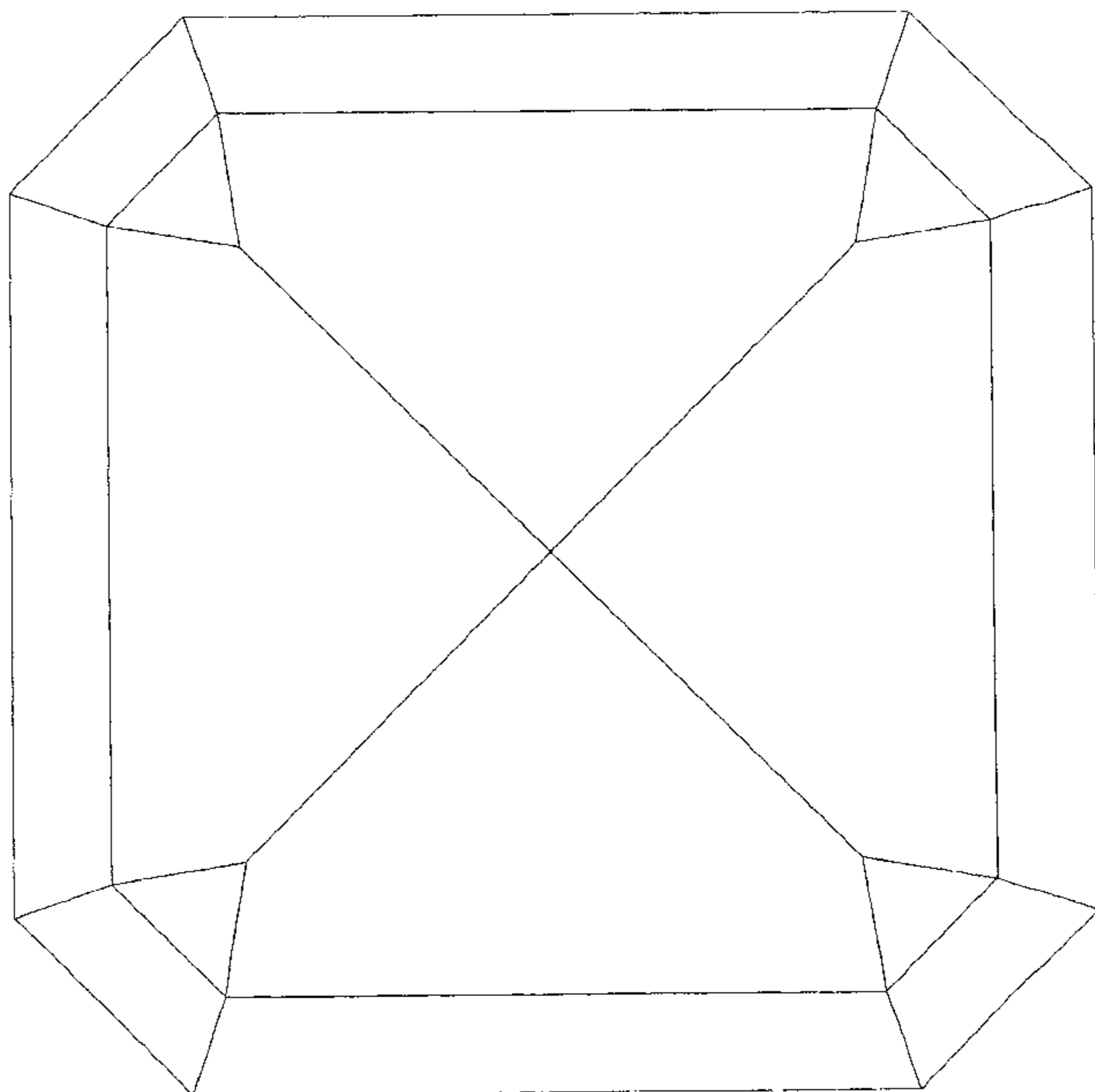
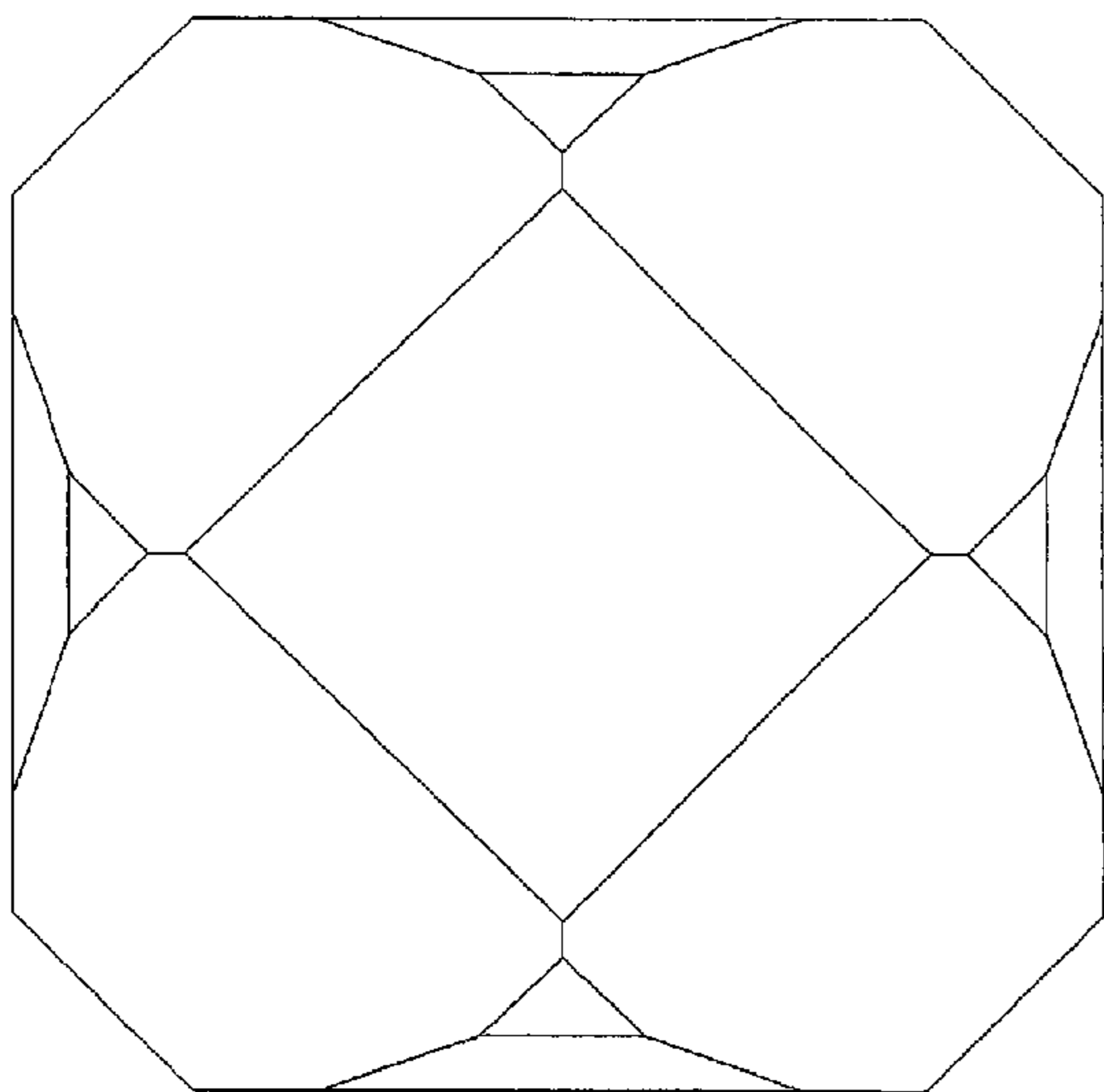
FIG. 3 is a perspective view of the gemstone.

FIG. 4 is a perspective view of the gemstone.

FIG. 5 is a corner view of the gemstone; and,

FIG. 6 is side view of the gemstone.

**1 Claim, 6 Drawing Sheets**



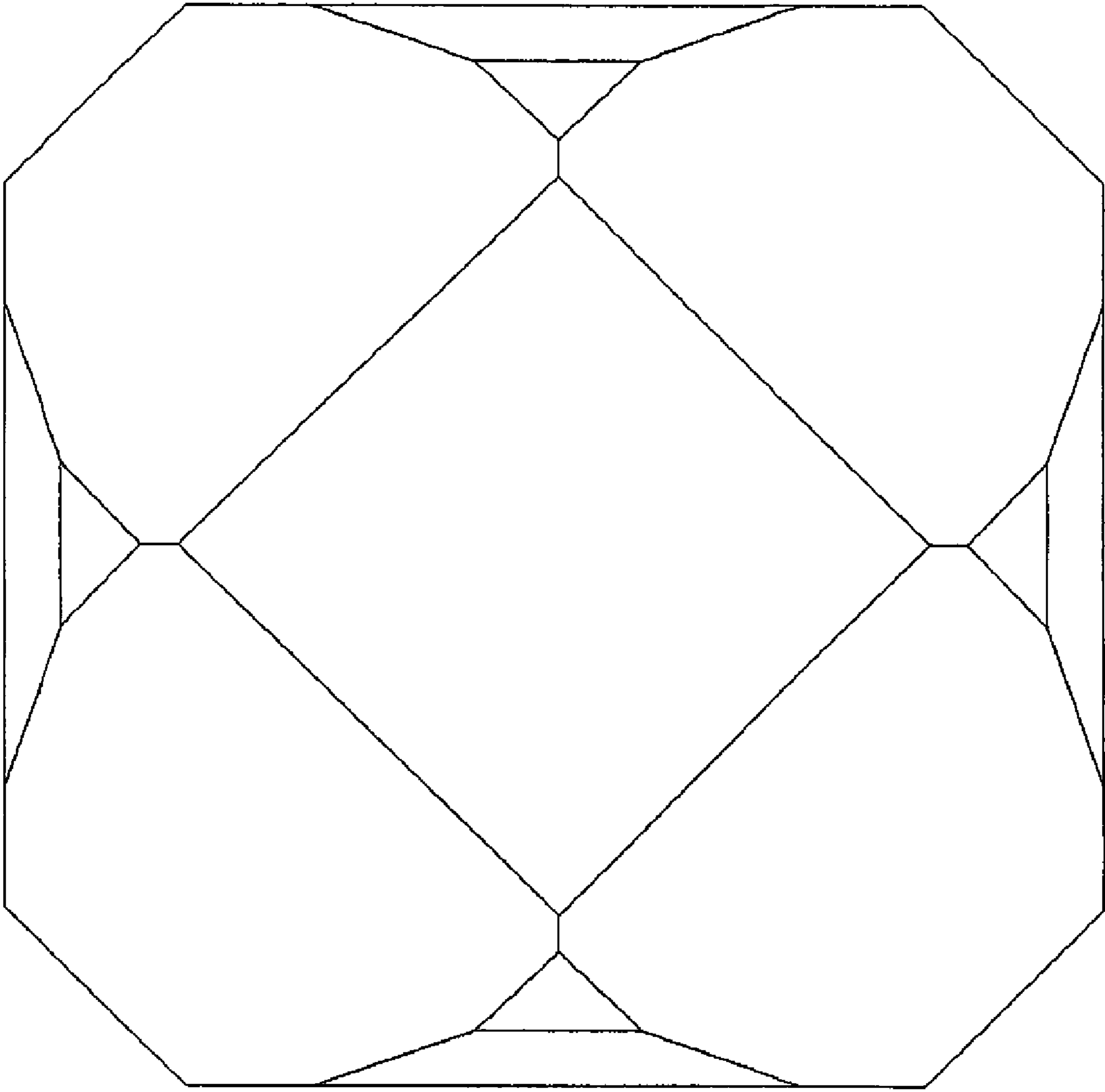


FIG. 1

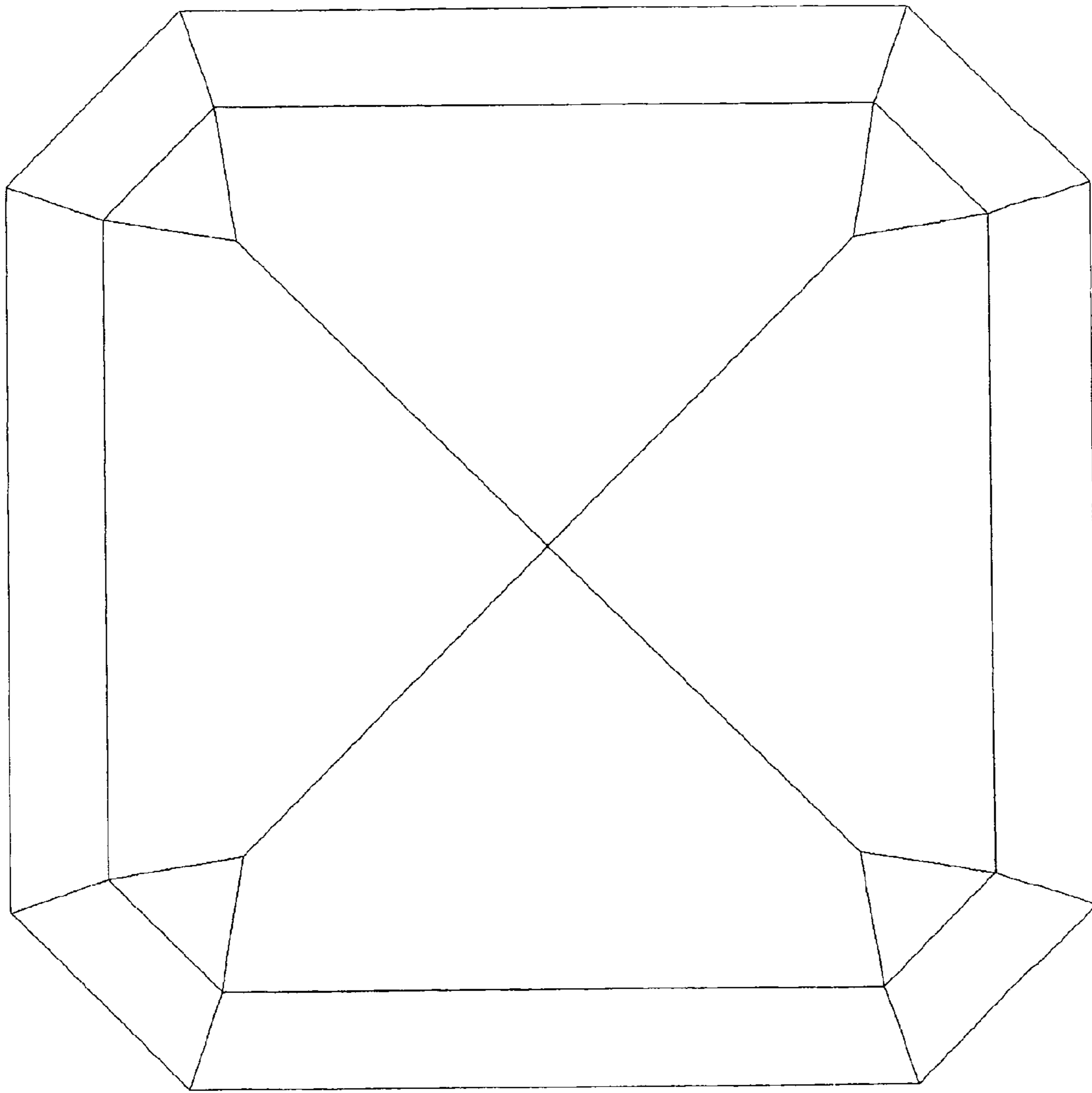


FIG. 2

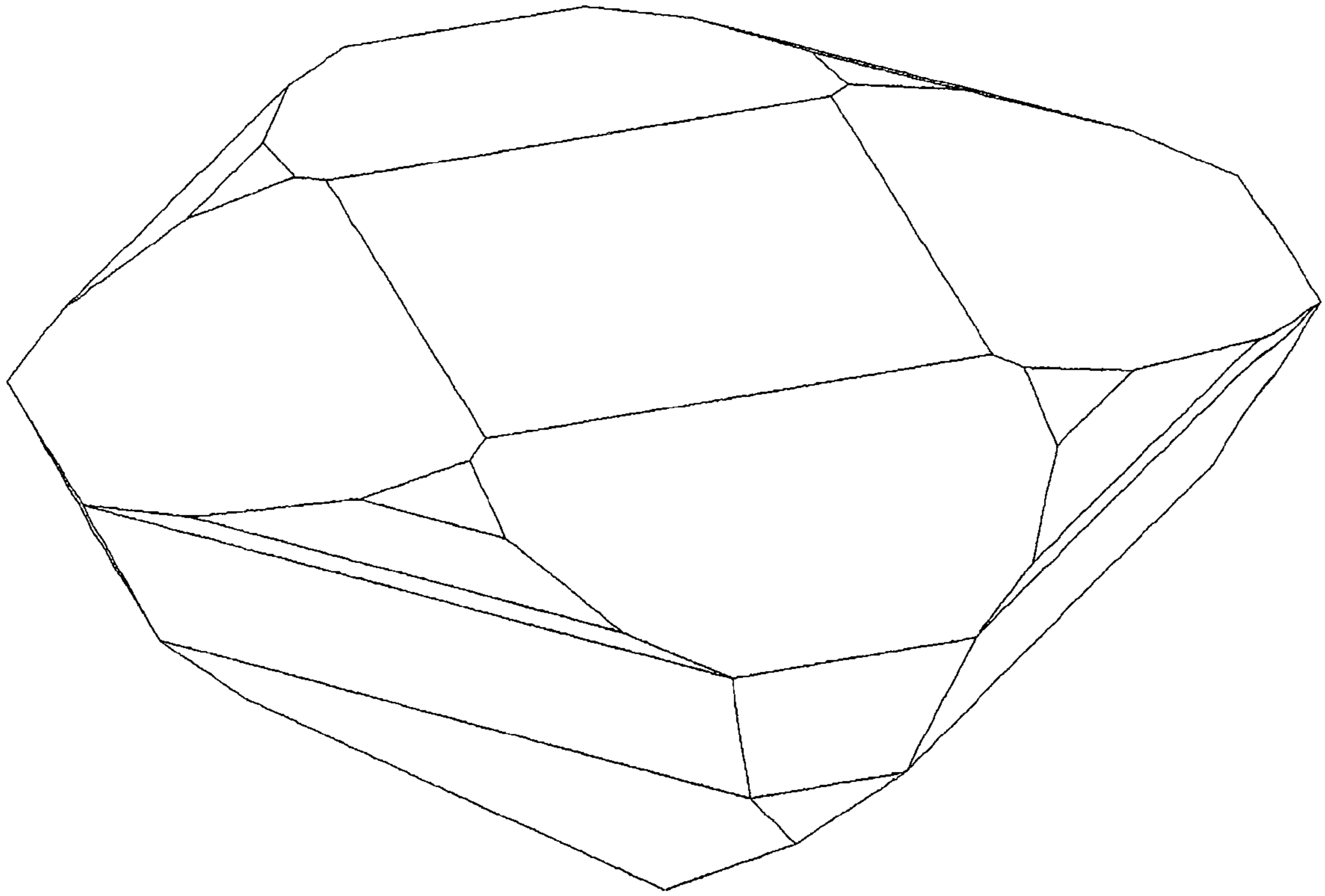


FIG. 3

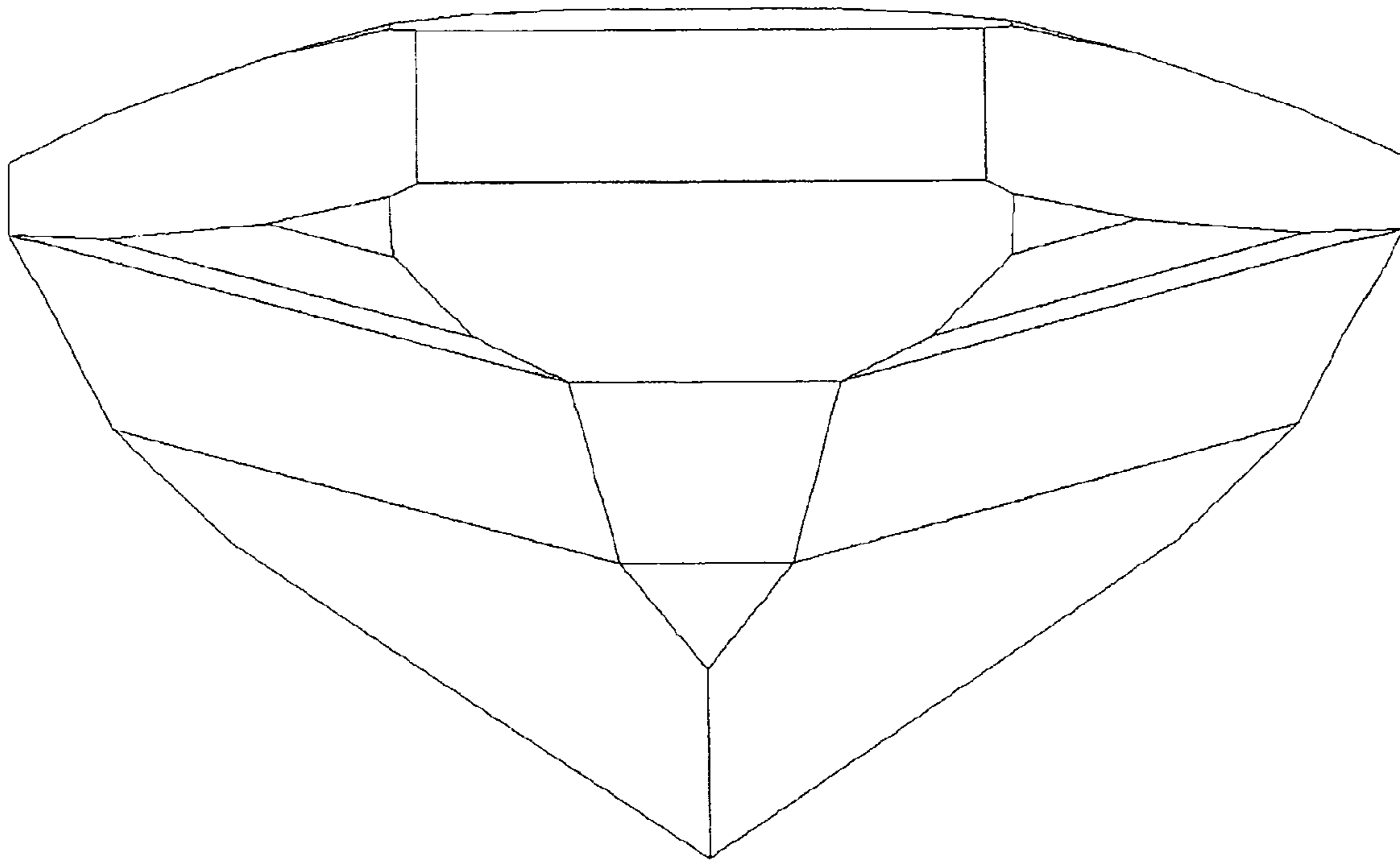


FIG. 4

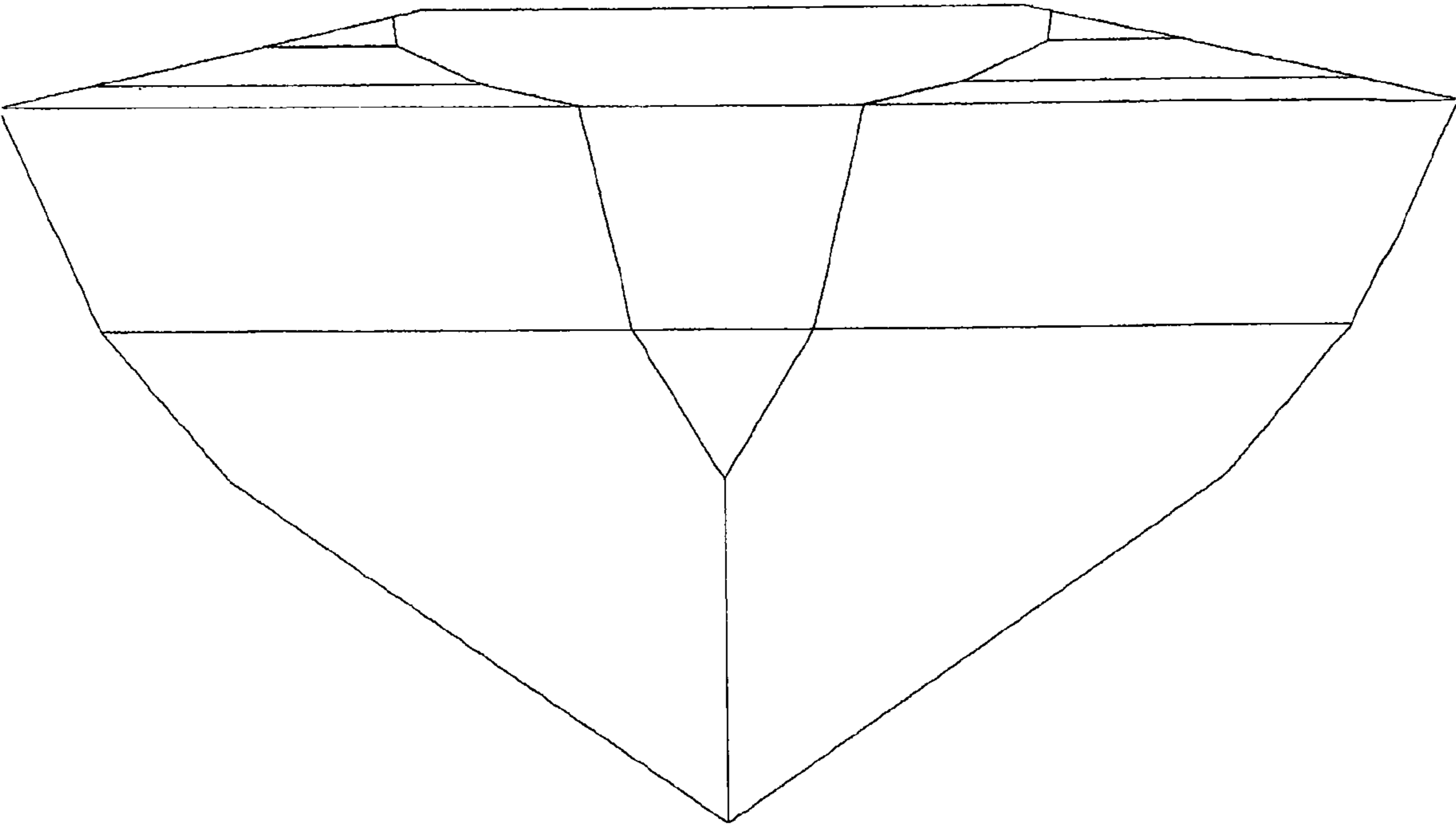


FIG. 5

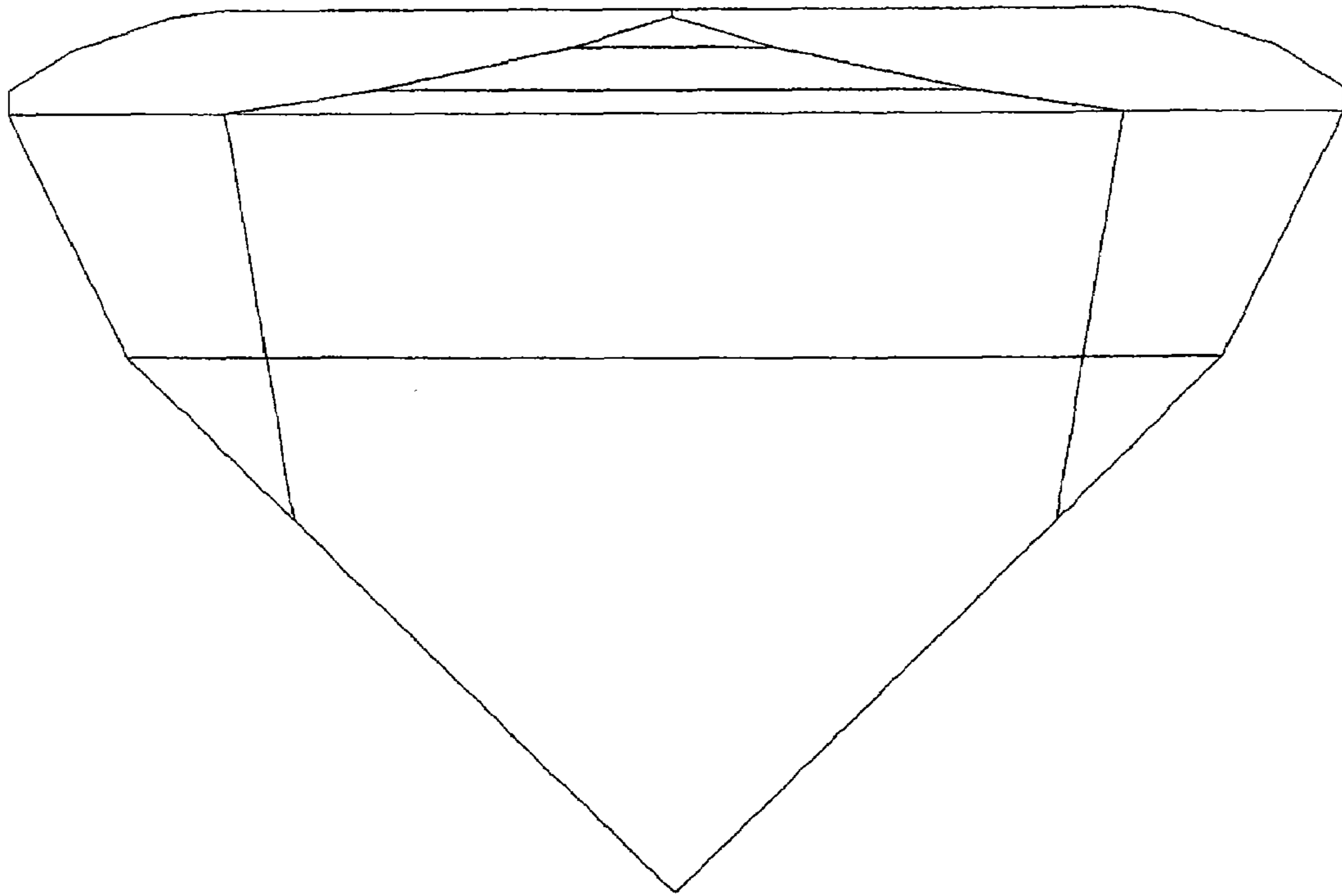


FIG. 6