



US00D566597S

(12) **United States Design Patent**  
**Schneor**

(10) **Patent No.:** **US D566,597 S**

(45) **Date of Patent:** **\*\* Apr. 15, 2008**

(54) **CONTROLLER**

D518,744 S \* 4/2006 Rosen ..... D10/50  
7,042,724 B2 \* 5/2006 Locker ..... 361/690

(75) Inventor: **Avi Schneor**, Kfar Saba (IL)

\* cited by examiner

(73) Assignee: **Unitronics (1989) (R"G) Ltd.**, Airport (IL)

*Primary Examiner*—Antoine D. Davis

(\*\*) Term: **14 Years**

(74) *Attorney, Agent, or Firm*—The Nath Law Group; Jerald L. Meyer; Derek Richmond

(21) Appl. No.: **29/274,882**

(57) **CLAIM**

(22) Filed: **Jun. 4, 2007**

What is claimed is the ornamental design of a controller, as shown and described.

(30) **Foreign Application Priority Data**

Dec. 4, 2006 (IL) ..... 43426

**DESCRIPTION**

(51) **LOC (8) Cl.** ..... **10-04**

FIG. 1 is a perspective view of the controller;

(52) **U.S. Cl.** ..... **D10/103**; D10/49; D10/80;  
D10/103; D13/162

FIG. 2 is a front view of the controller seen in FIG. 1;

(58) **Field of Classification Search** ..... D10/49–50,  
D10/80, 103; D13/162, 162.1, 177; D14/137,  
D14/441, 443; 74/526; 116/324; 236/46 R,  
236/47, 49.3, 51, 84, 94; 337/360, 323; 361/690,  
361/678, 647, 605

FIG. 3 is a rear view of the controller seen in FIG. 1;

FIG. 4 is a top view of the controller seen in FIG. 1;

FIG. 5 is a bottom view of the controller seen in FIG. 1;

FIG. 6 is a left side view of the controller seen in FIG. 1; and,

FIG. 7 is a right side view of the controller seen in FIG. 1.

See application file for complete search history.

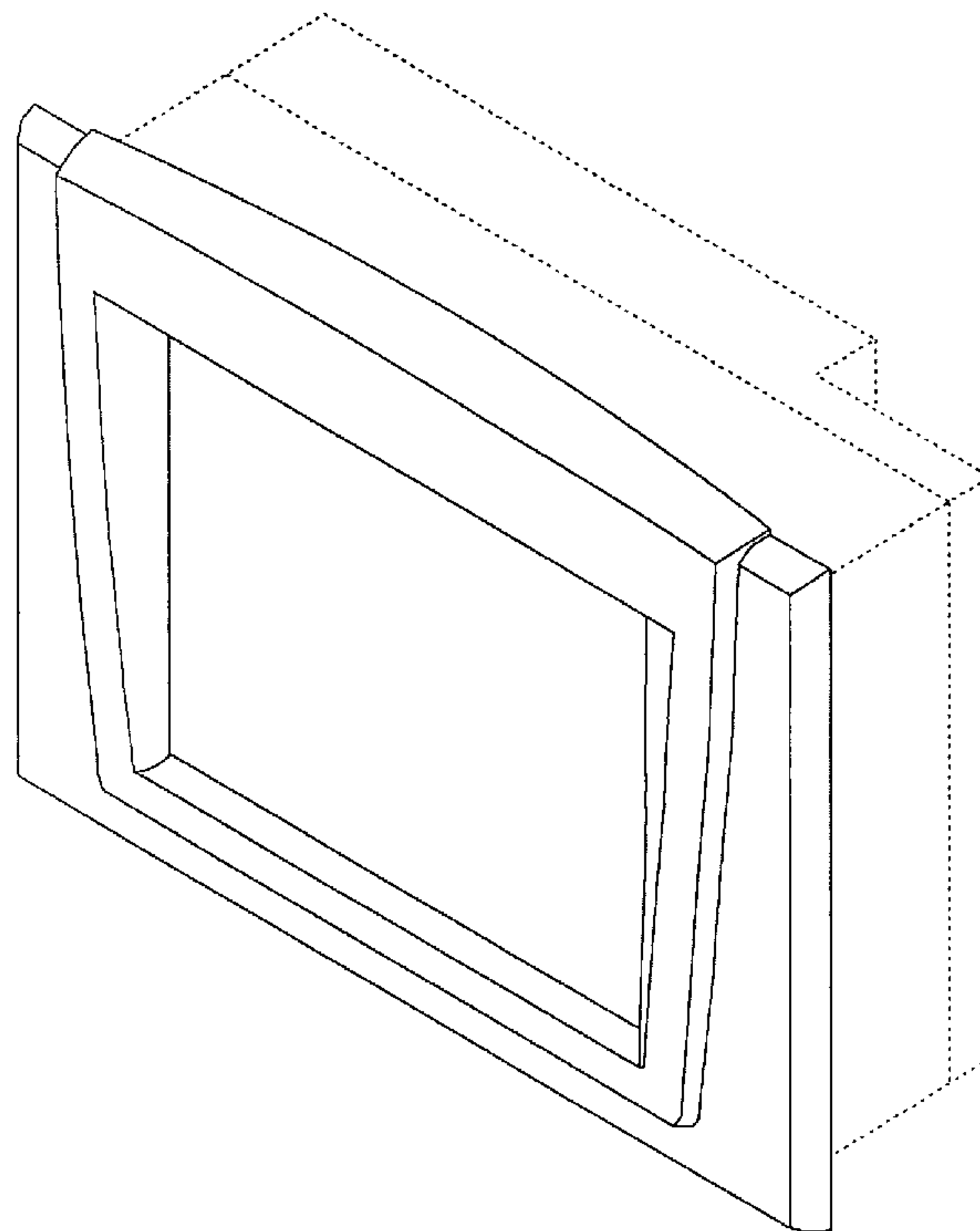
In FIGS. 1, 3–7, those portions of the controller in broken lines do not constitute part of the claimed design and are for illustrative purposes only.

(56) **References Cited**

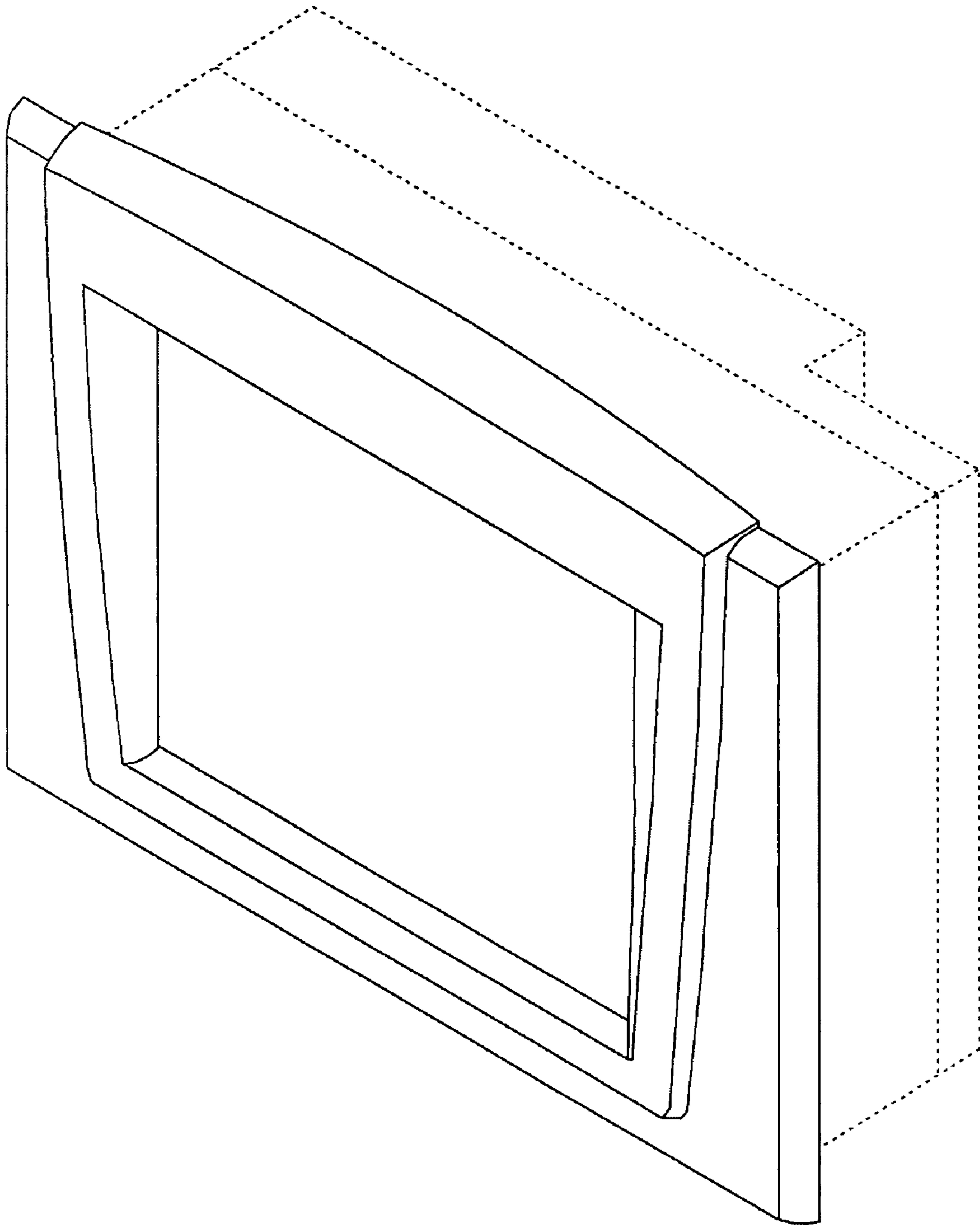
**U.S. PATENT DOCUMENTS**

D379,453 S \* 5/1997 Fabrizi ..... D13/177

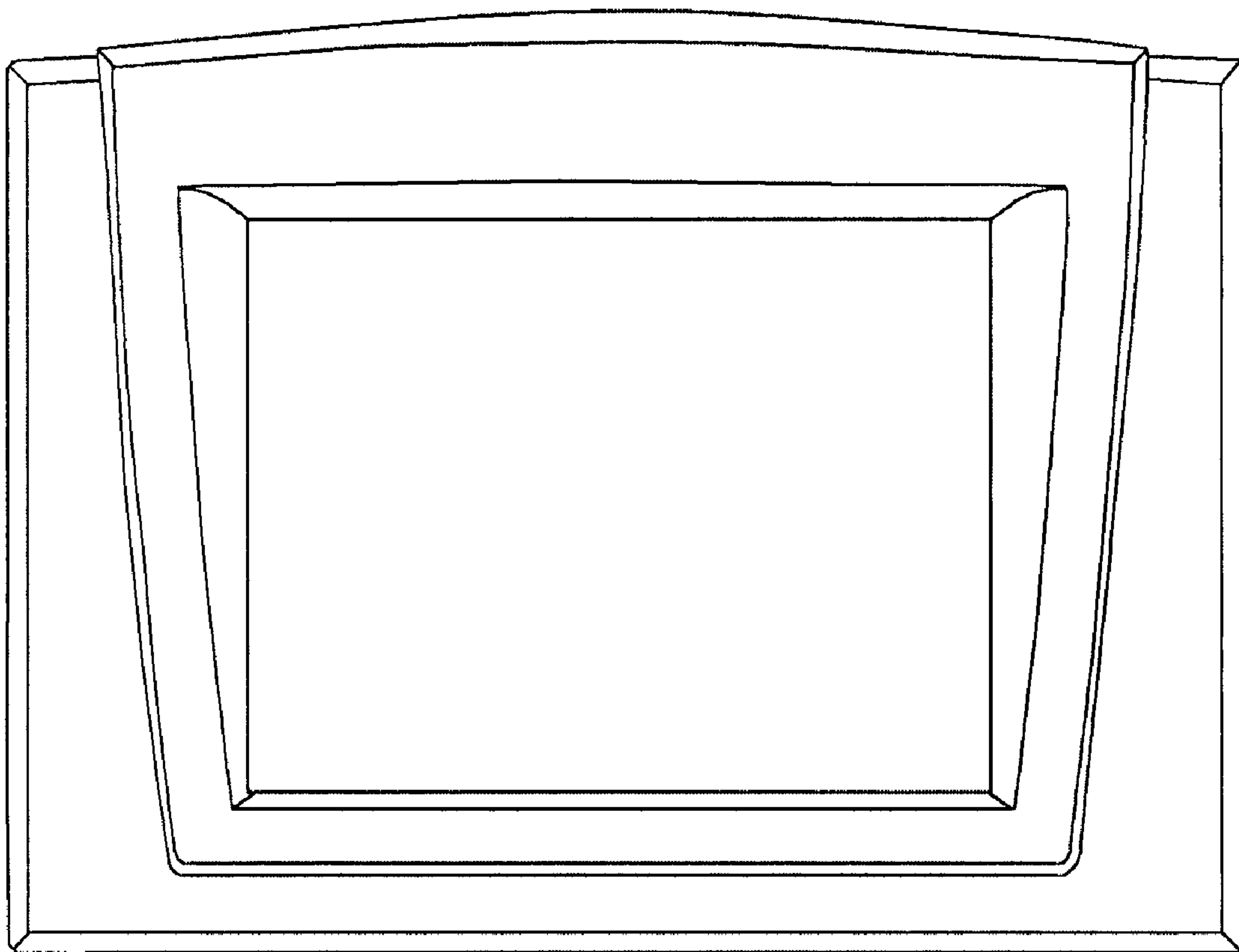
**1 Claim, 5 Drawing Sheets**



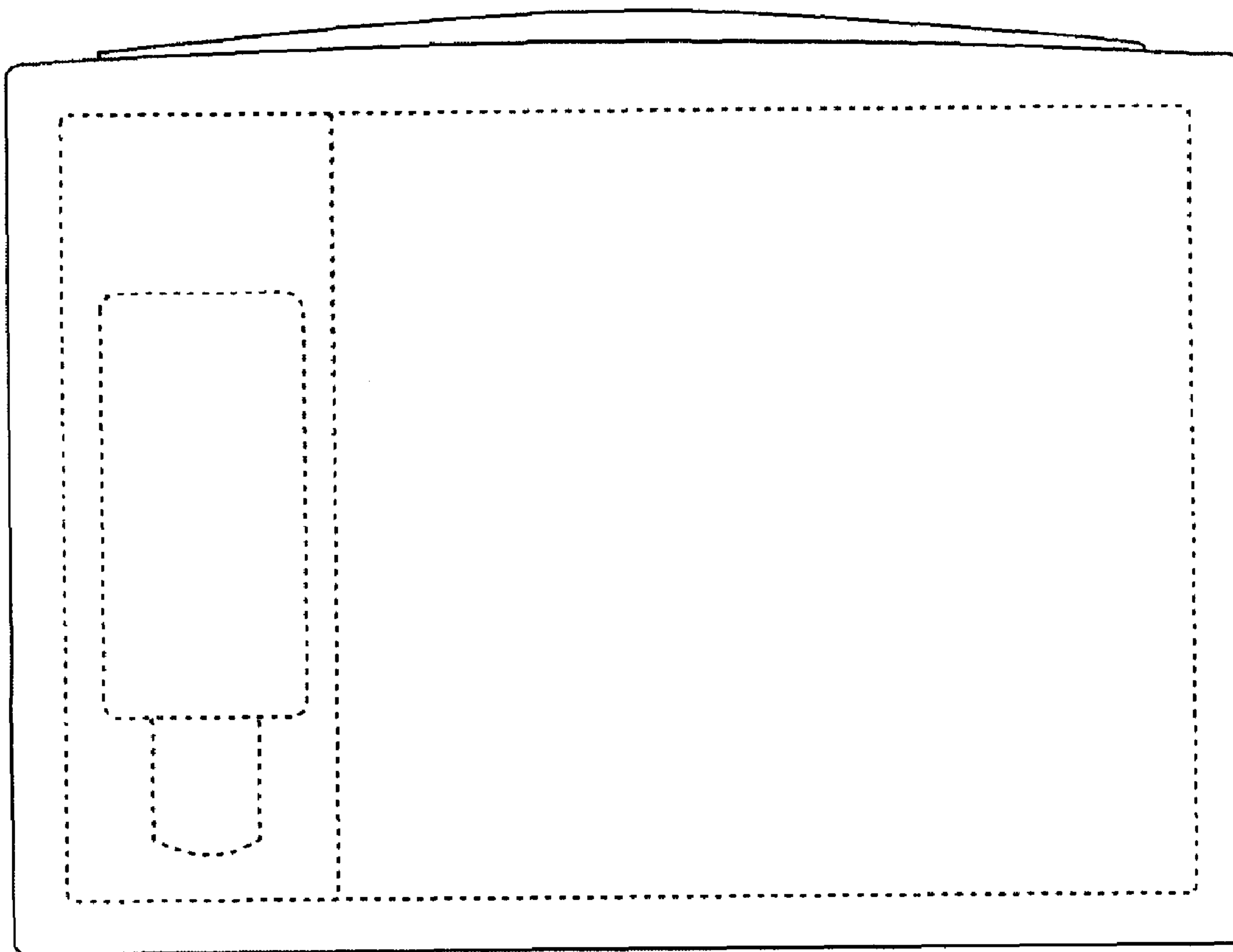
Perspective view



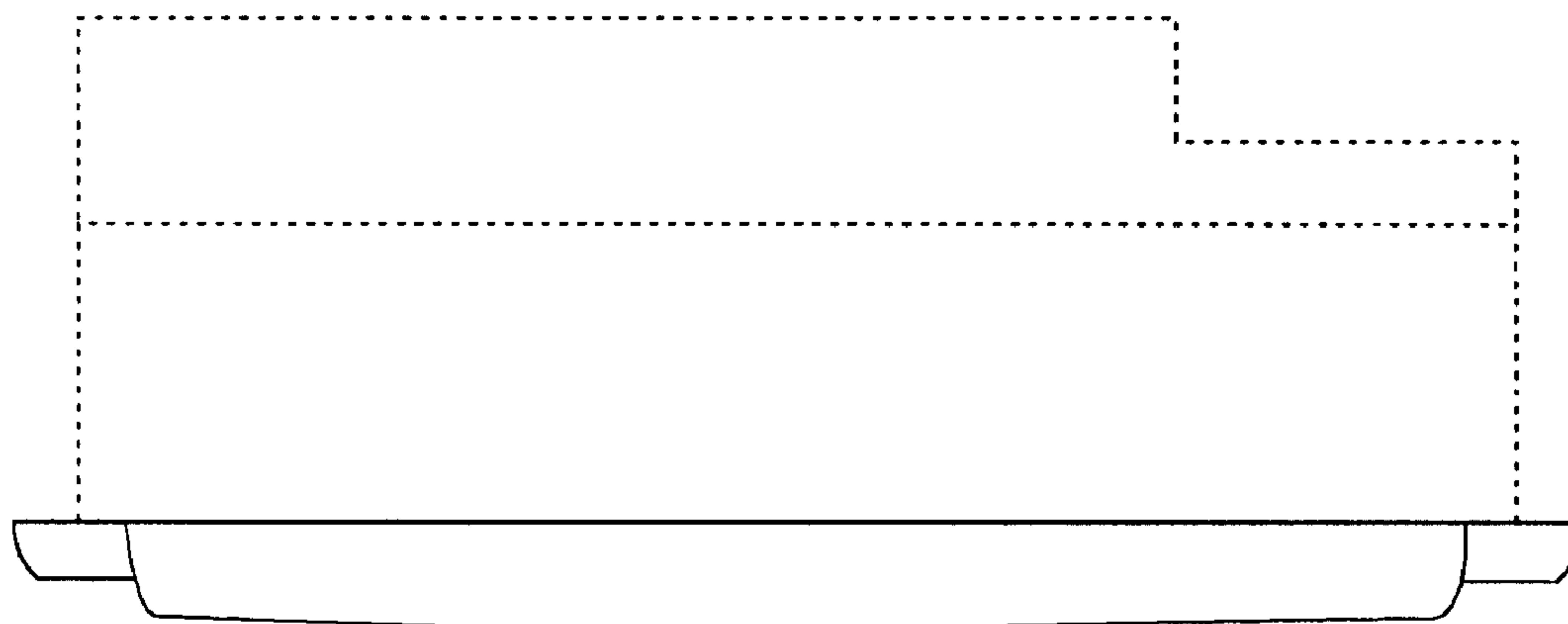
*FIG. 1*  
Perspective view



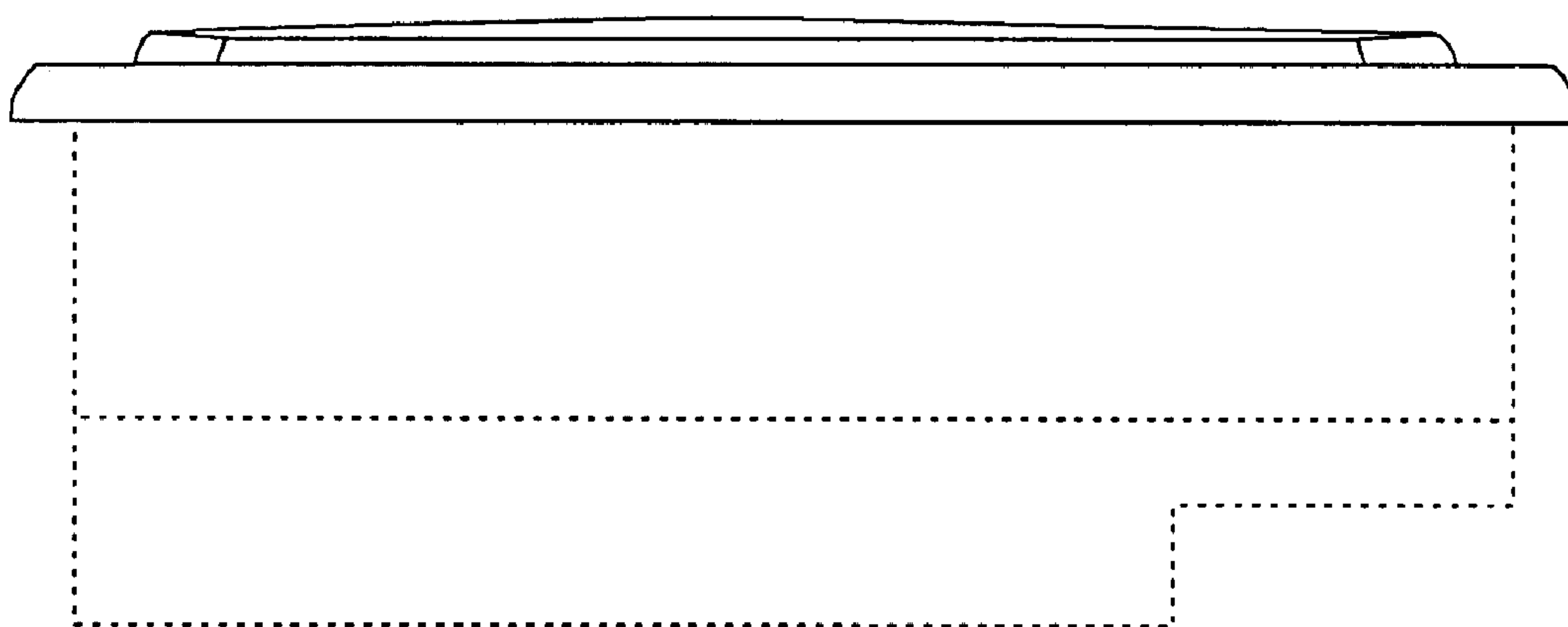
*FIG. 2*  
Front view



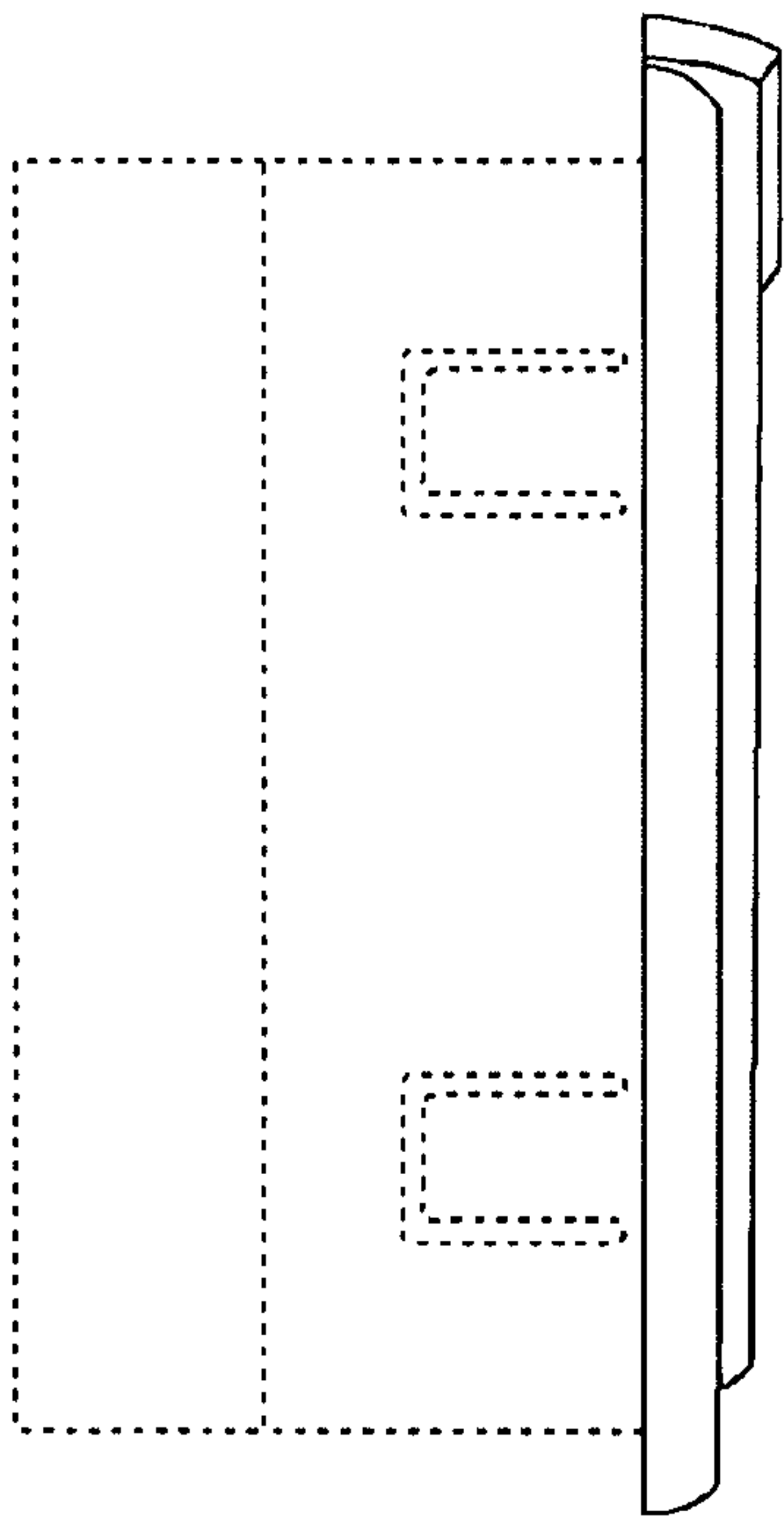
*FIG. 3*  
Rear view



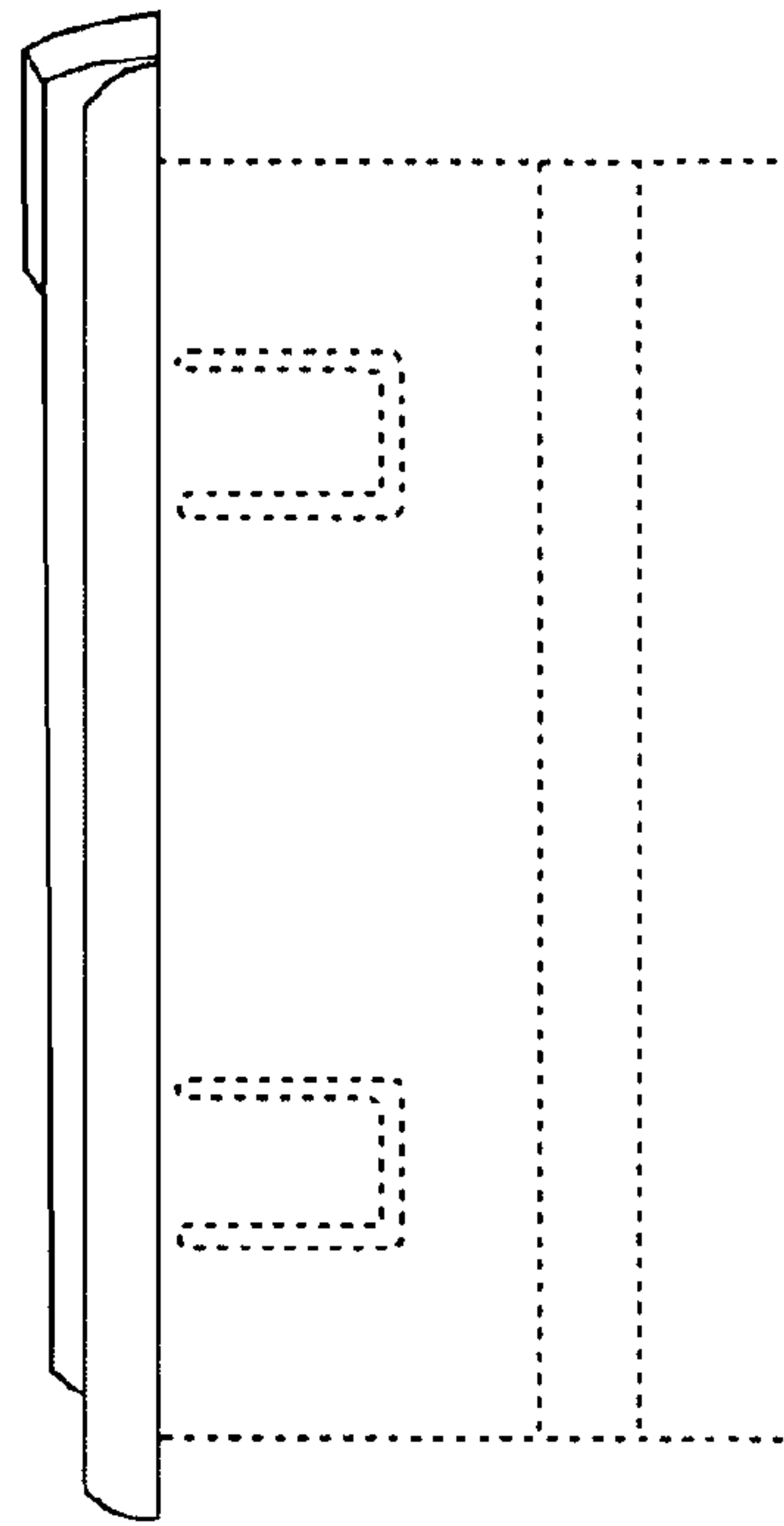
*FIG. 4*  
Top view



*FIG. 5*  
Bottom view



*FIG. 6*  
Left side view



*FIG. 7*  
Right side view