



US00D566596S

(12) **United States Design Patent**
Day et al.

(10) **Patent No.: US D566,596 S**
(45) **Date of Patent: ** Apr. 15, 2008**

(54) **GAUGE DISPLAY MOUNT**

D497,336 S * 10/2004 James D12/192
D514,994 S * 2/2006 Day D12/192

(75) Inventors: **Gregory E. Day**, Great Falls, VA (US);
Dwight C. Green, Ashburn, VA (US)

* cited by examiner

(73) Assignee: **Gauge Works, LLC**, Great Falls, VA
(US)

Primary Examiner—Antoine D. Davis
(74) *Attorney, Agent, or Firm*—Williams Mullen, P.C.;
Thomas F. Bergert

(**) Term: **14 Years**

(57) **CLAIM**

(21) Appl. No.: **29/286,602**

The ornamental design for a gauge display mount, as shown
and described.

(22) Filed: **May 14, 2007**

Related U.S. Application Data

DESCRIPTION

(62) Division of application No. 29/219,308, filed on Dec.
15, 2004, now Pat. No. Des. 542,722.

FIG. 1 is a top left front perspective view of a gauge display
mount showing our new design.

(51) **LOC (8) Cl.** **10-04**

FIG. 2 is a bottom right front perspective view of the gauge
display mount of FIG. 1;

(52) **U.S. Cl.** **D10/102**

FIG. 3 is a top plan view of the gauge display mount of FIG.
1;

(58) **Field of Classification Search** D10/103,
D10/102; D12/192; 280/70, 72, 190, 191,
280/DIG. 5

FIG. 4 is a rear elevational view of the gauge display mount
of FIG. 1;

See application file for complete search history.

FIG. 5 is a left side elevational view of the gauge display
mount of FIG. 1; and,

(56) **References Cited**

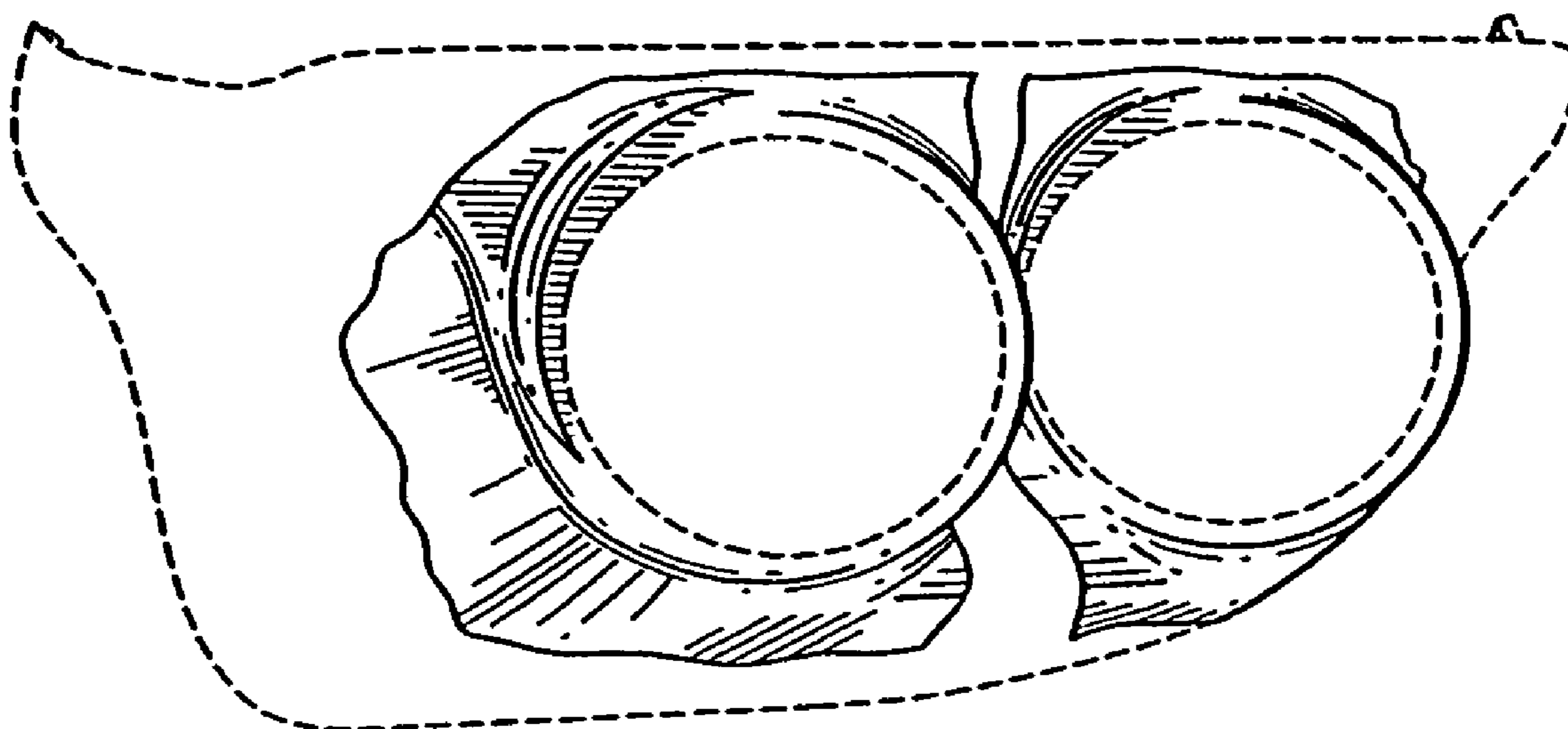
FIG. 6 is a right side elevational view of the gauge display
mount of FIG. 1.

U.S. PATENT DOCUMENTS

D476,276 S * 6/2003 Day D12/192
D484,081 S * 12/2003 Day D12/192
D486,435 S * 2/2004 Day et al. D12/192
D491,825 S * 6/2004 Day et al. D12/192
D492,213 S * 6/2004 Day et al. D12/192
D496,617 S * 9/2004 Day et al. D12/192

The broken line showing of gauge display mount extension
and support base is for illustrative purposes only and forms
no part of the claimed design.

1 Claim, 5 Drawing Sheets



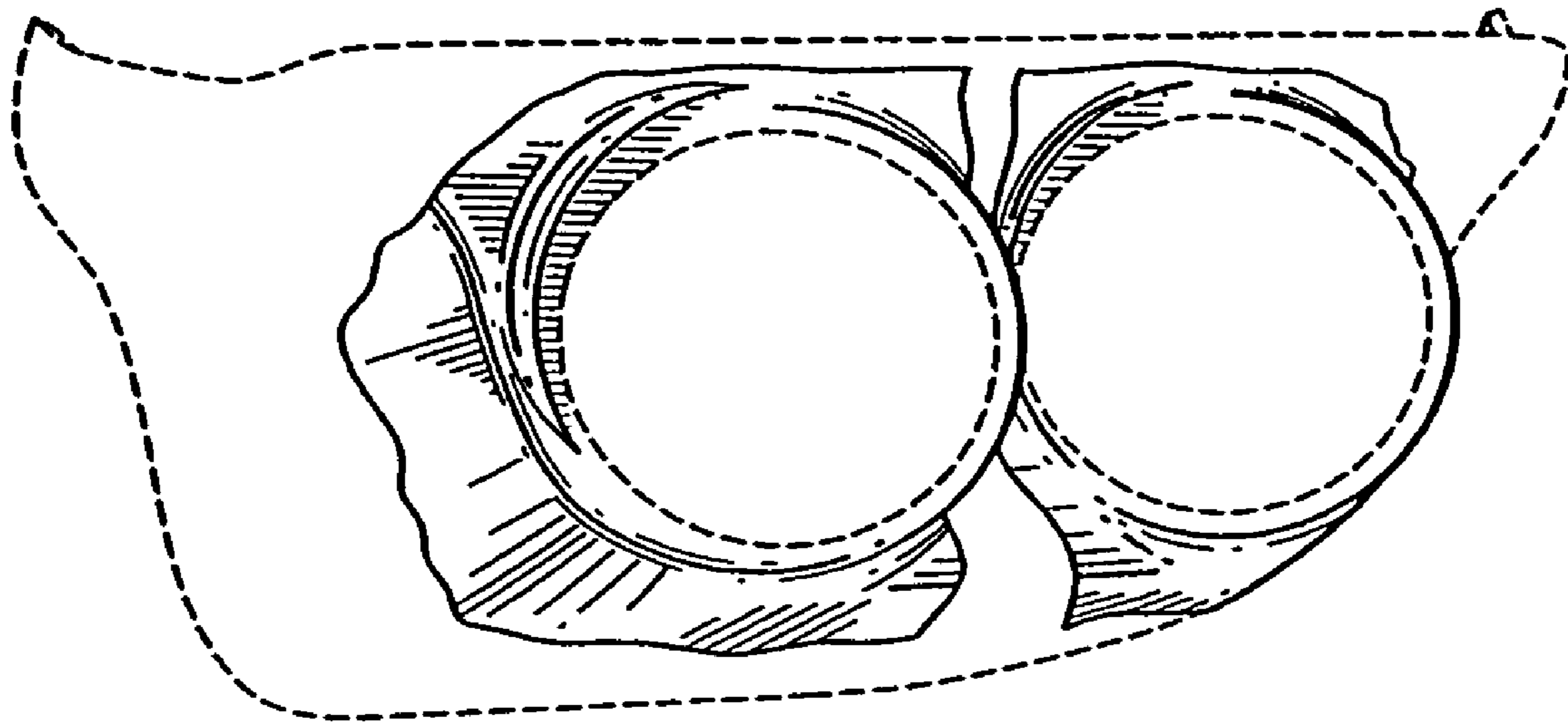


FIG. 1

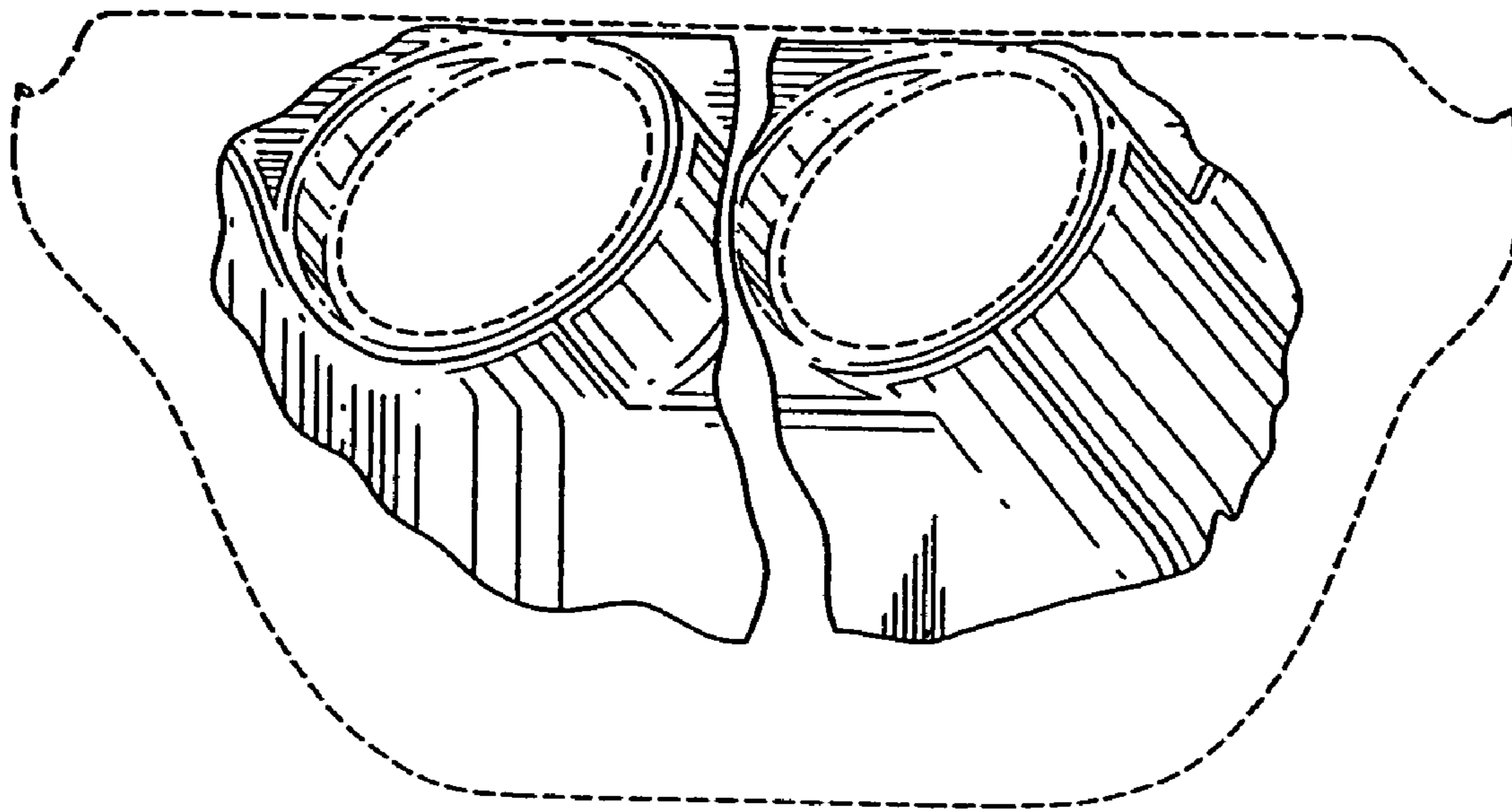


FIG. 2

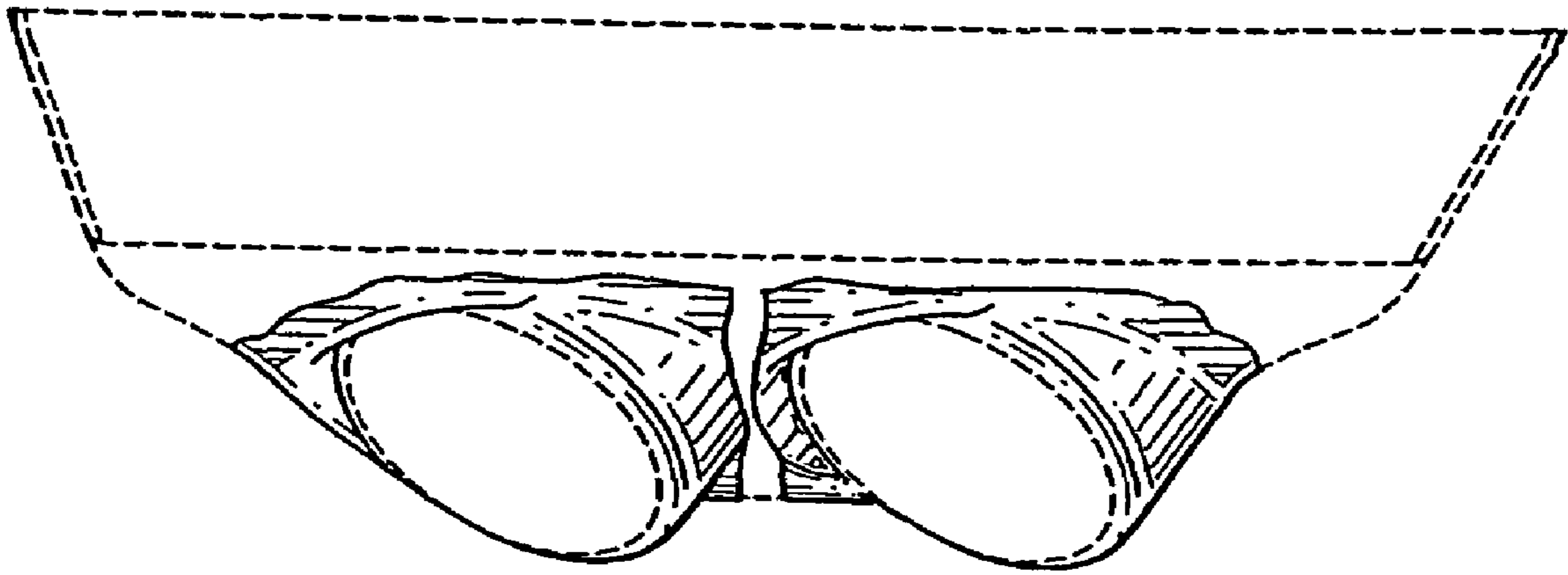


FIG. 3

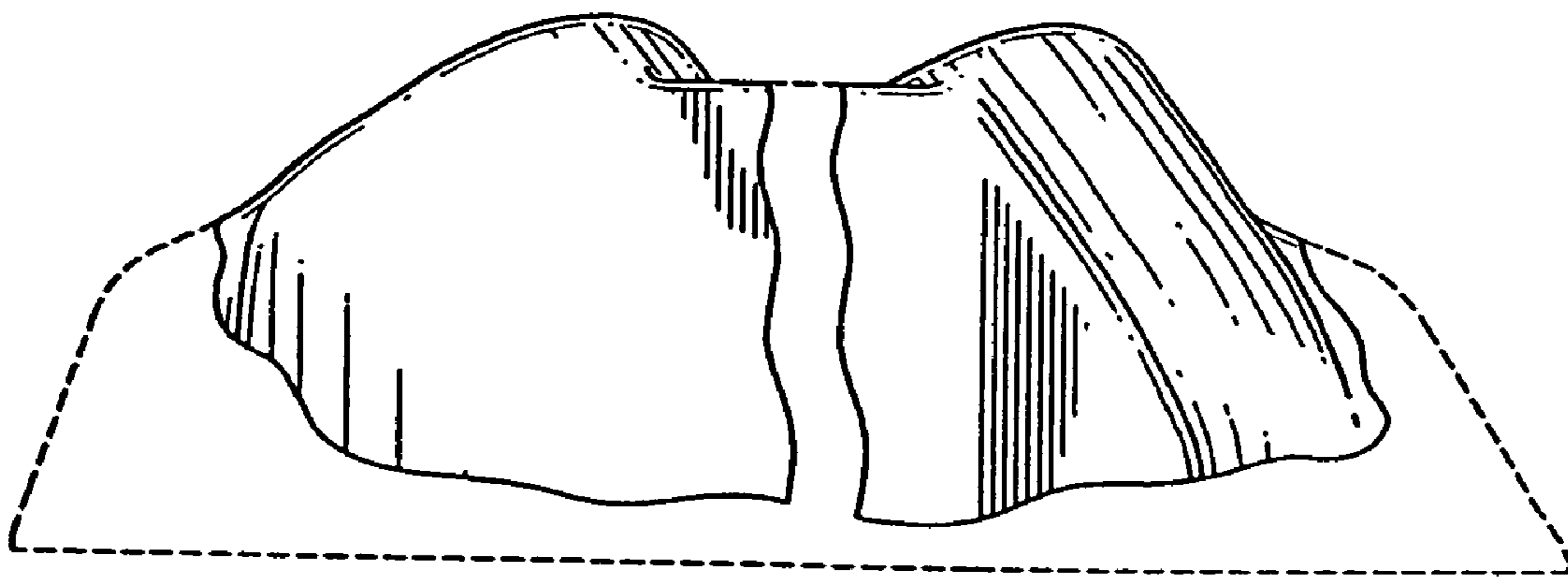


FIG. 4

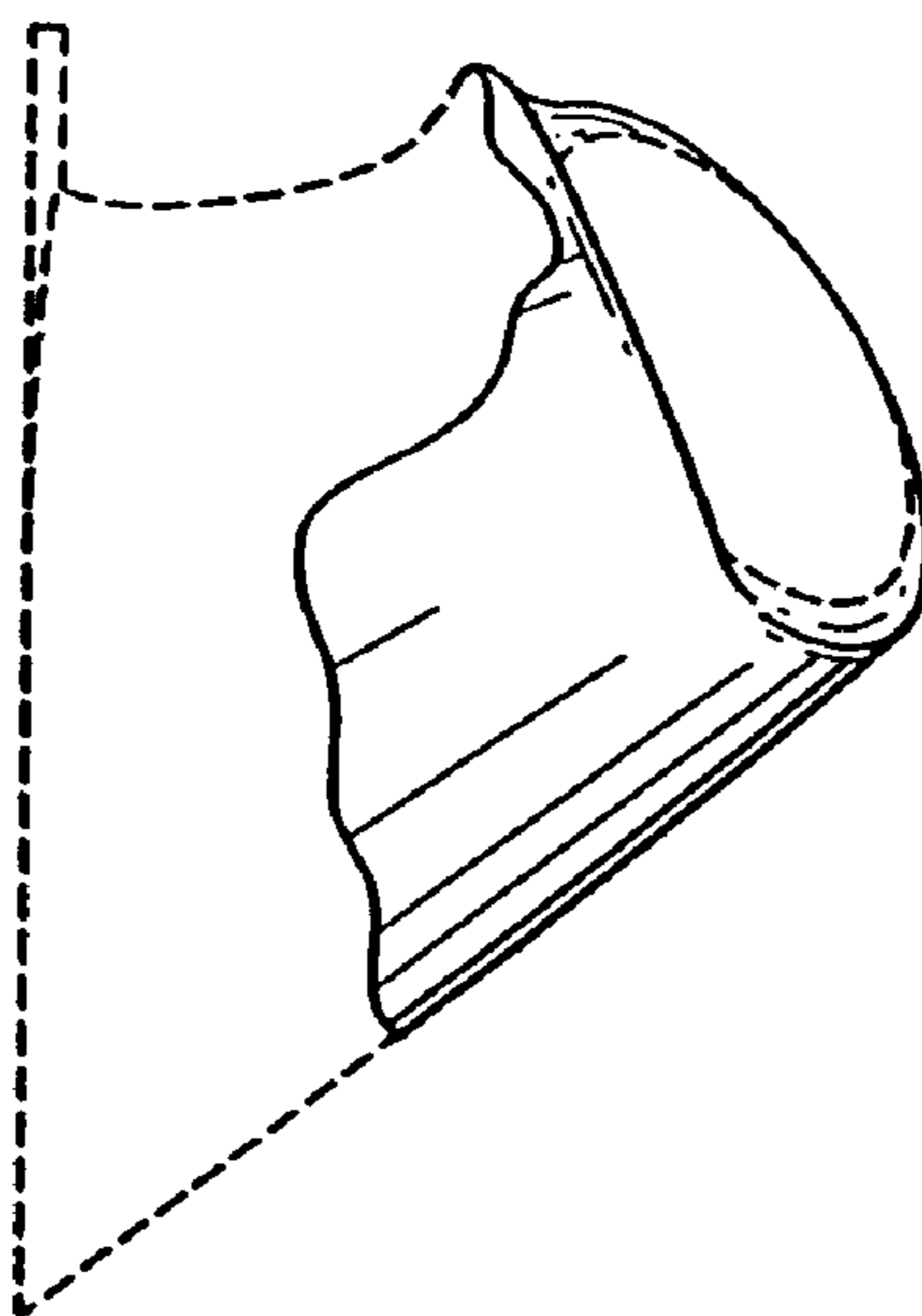


FIG. 5

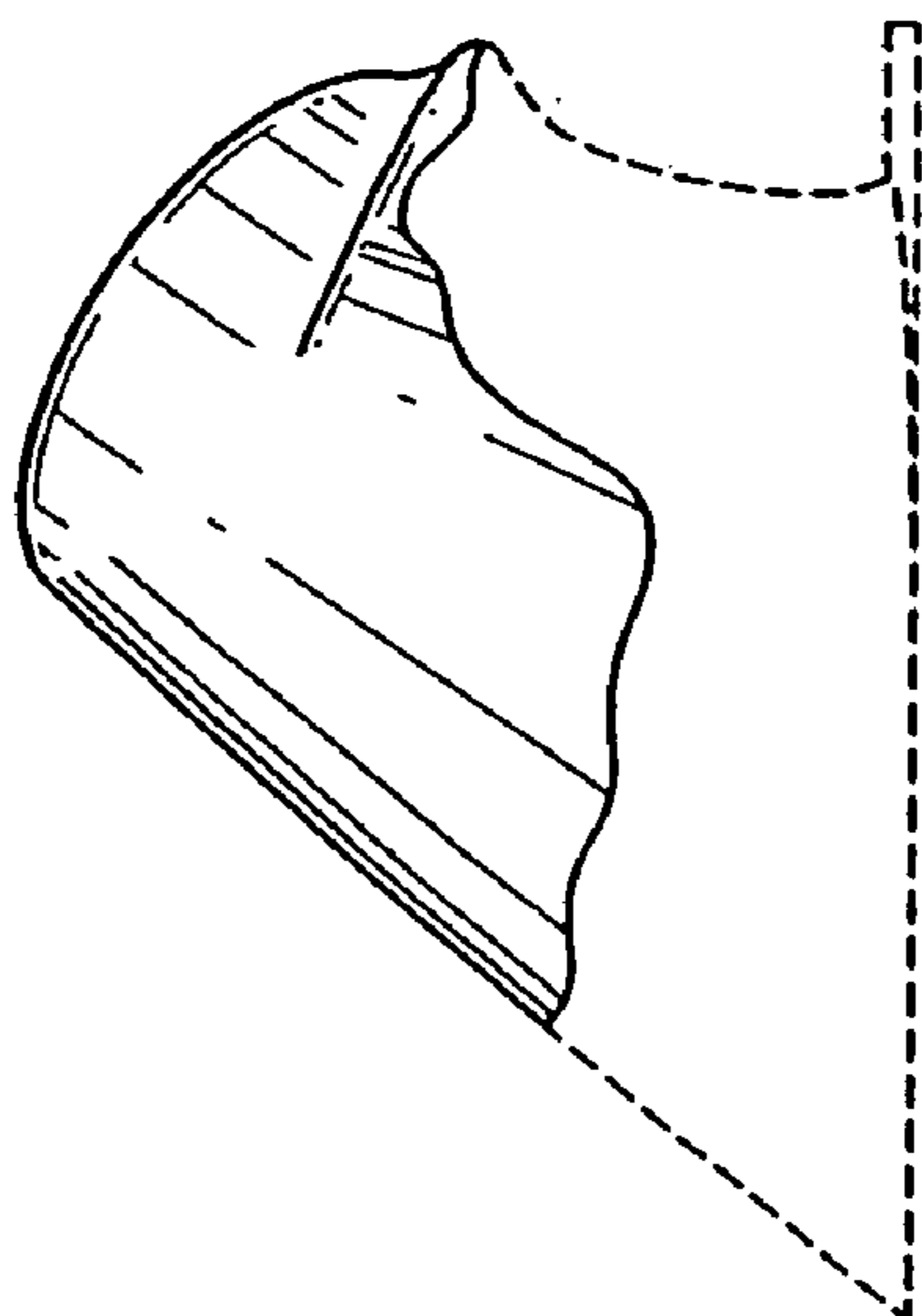


FIG. 6