



US00D566588S

(12) **United States Design Patent**
Stevens et al.

(10) **Patent No.:** **US D566,588 S**

(45) **Date of Patent:** **** Apr. 15, 2008**

(54) **NAVIGATION DEVICE**

(75) Inventors: **Warren R. Stevens**, Olathe, KS (US);
Gregory W. Johnson, Prairie Village,
KS (US); **Juhee Lee**, Olathe, KS (US)

(73) Assignee: **Garmin Ltd.** (KY)

(**) Term: **14 Years**

(21) Appl. No.: **29/277,654**

(22) Filed: **Mar. 5, 2007**

(51) **LOC (8) Cl.** **10-04**

(52) **U.S. Cl.** **D10/65**

(58) **Field of Classification Search** D10/65,
D10/80; D14/347; 342/351, 419, 457, 357.06–357.13;
343/702; 345/87, 104, 133, 156, 168, 173,
345/901–905; 348/180, 184, 315, 739; 364/444,
364/499; 701/206–209, 213, 214
See application file for complete search history.

(56) **References Cited**

U.S. PATENT DOCUMENTS

D467,512 S * 12/2002 Miyazaki D10/65
D514,003 S * 1/2006 Kim D10/65
D540,203 S * 4/2007 Jeon D10/65

D541,186 S * 4/2007 Lammers-Meis et al. D10/65
D541,682 S * 5/2007 Uno D10/65
D543,876 S * 6/2007 Kalis et al. D10/65
D544,381 S * 6/2007 Lammers-Meis et al. D10/65

* cited by examiner

Primary Examiner—Antoine D. Davis

(74) *Attorney, Agent, or Firm*—Kevin E. West; Samuel M. Korte

(57) **CLAIM**

The ornamental design for a navigation device, as shown and described.

DESCRIPTION

FIG. 1 is an isometric view of a navigation device according to the present invention;

FIG. 2 is a top plan view thereof;

FIG. 3 is a front elevational view thereof;

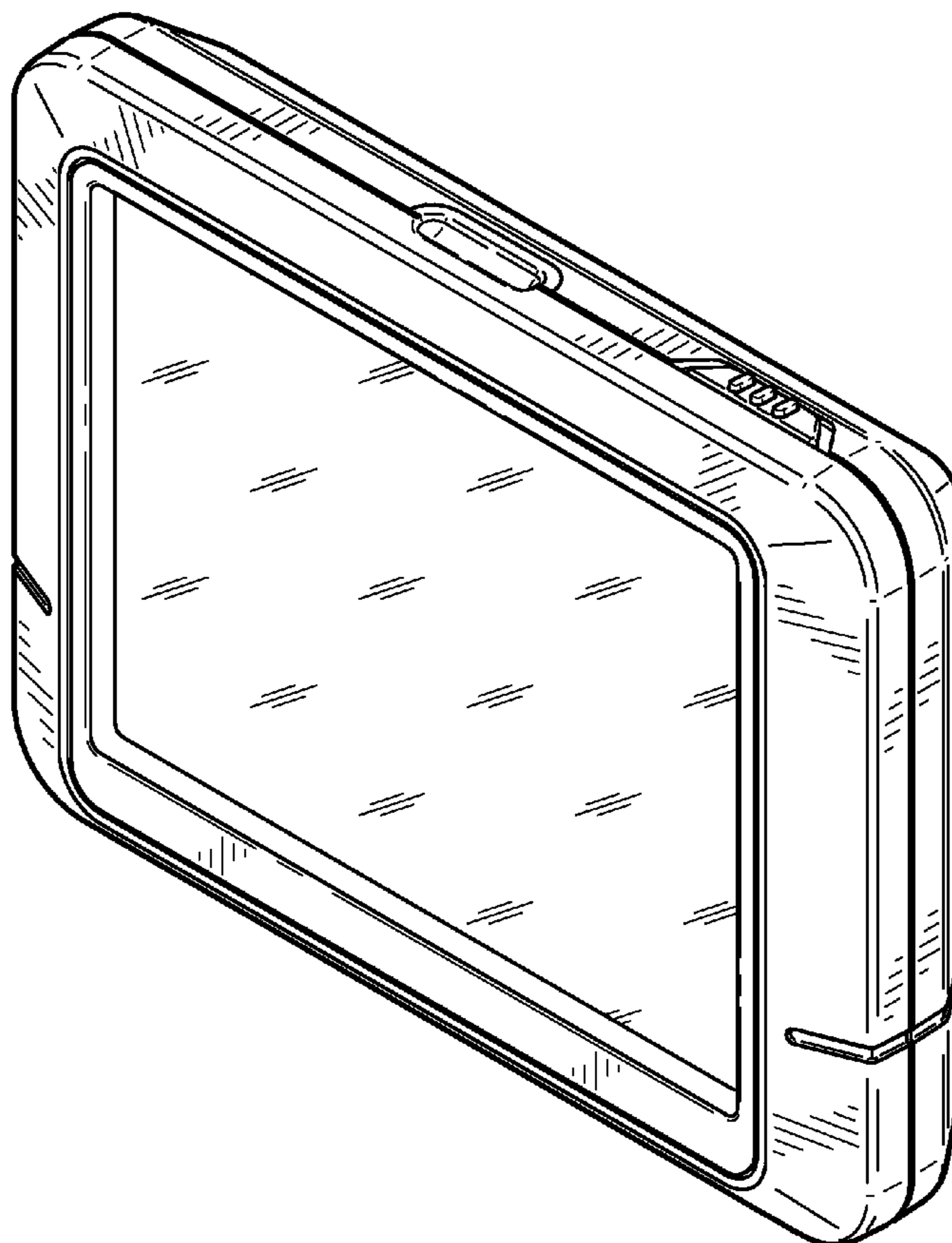
FIG. 4 is a left side elevational view thereof;

FIG. 5 is a right side elevational view thereof;

FIG. 6 is a rear elevational view thereof; and,

FIG. 7 is a bottom plan view thereof.

1 Claim, 4 Drawing Sheets



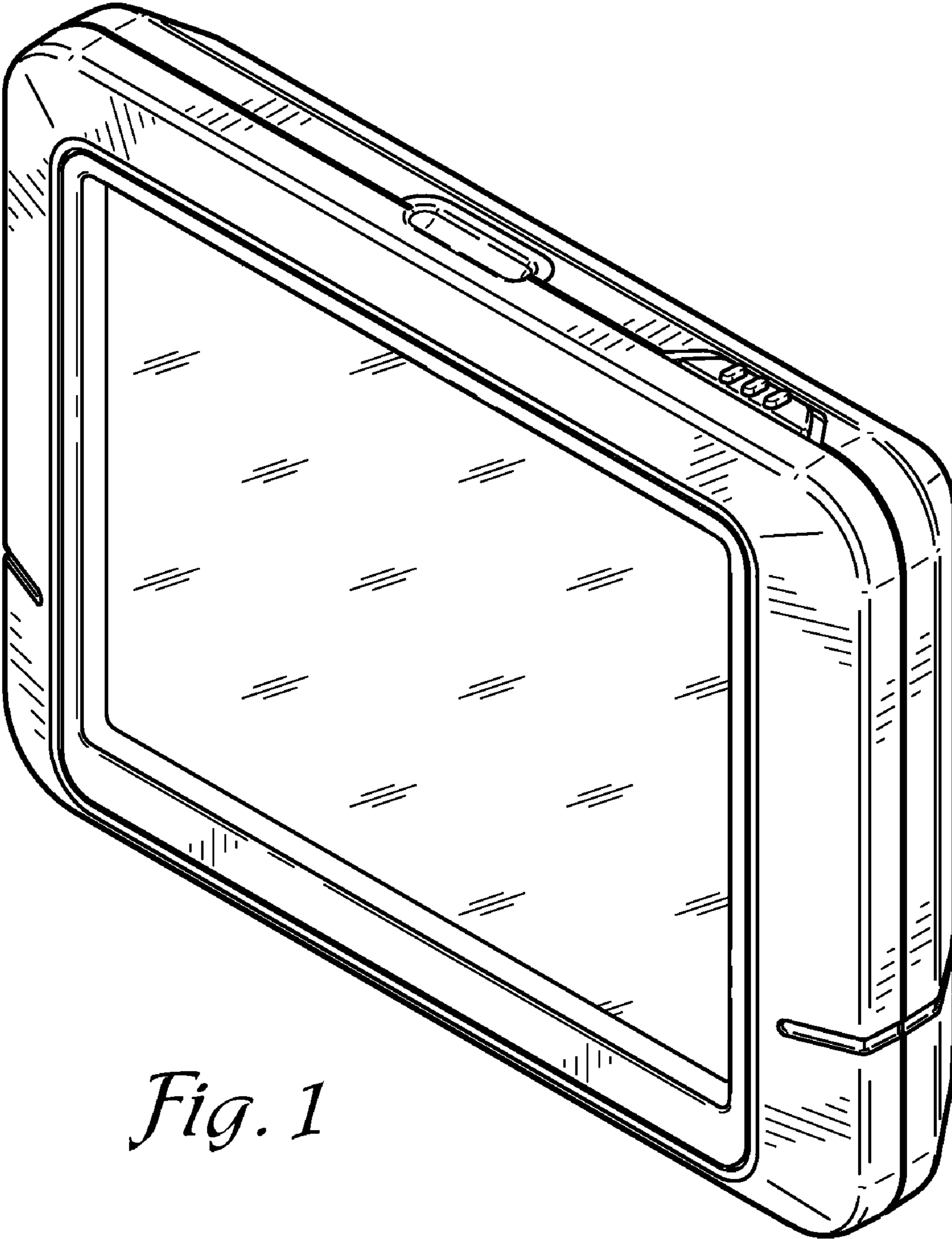


Fig. 1

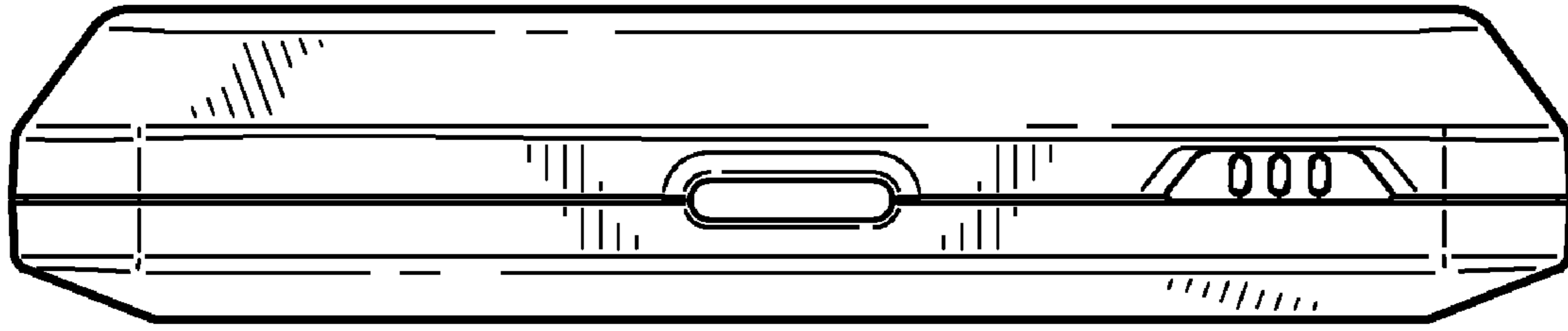


Fig. 2

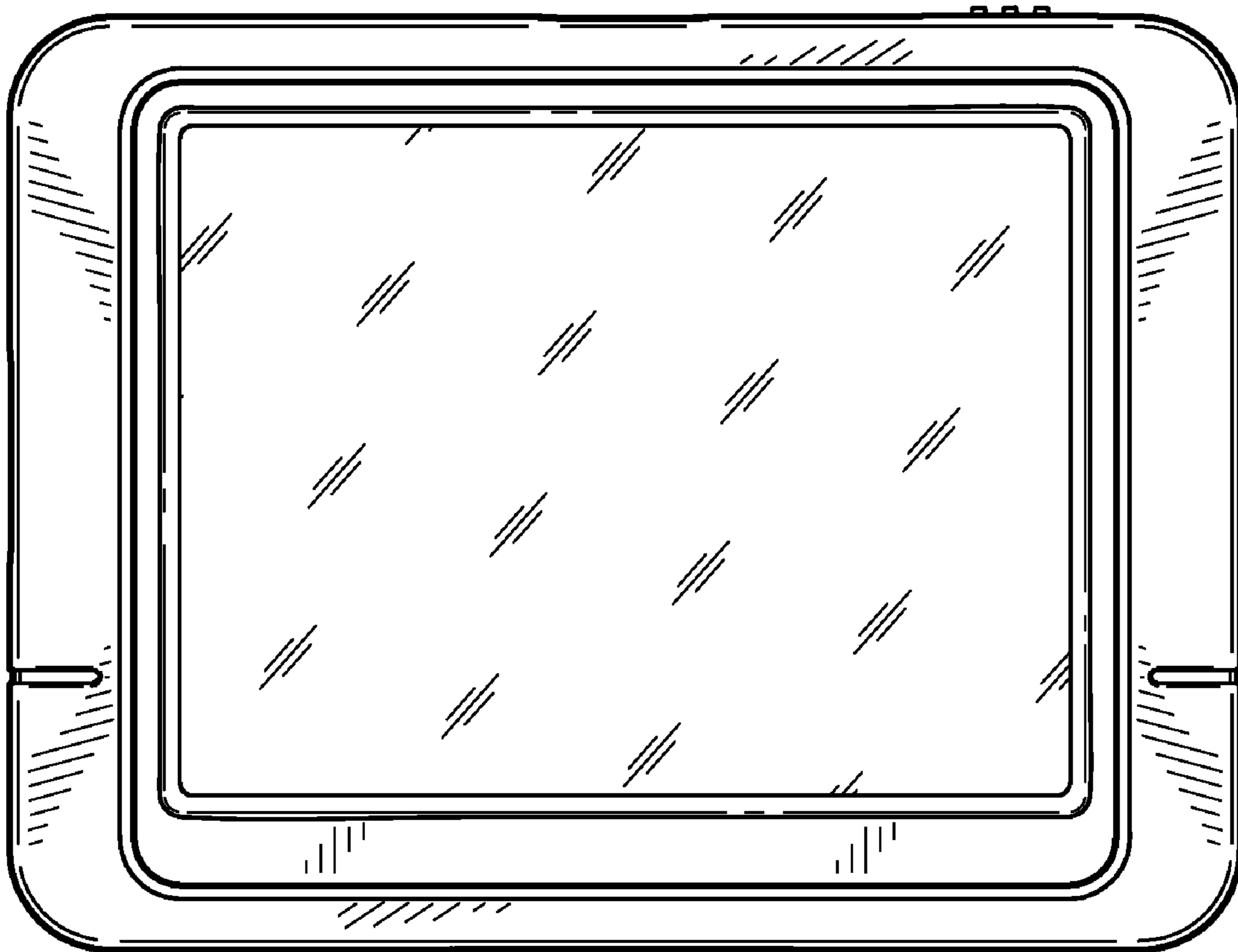


Fig. 3

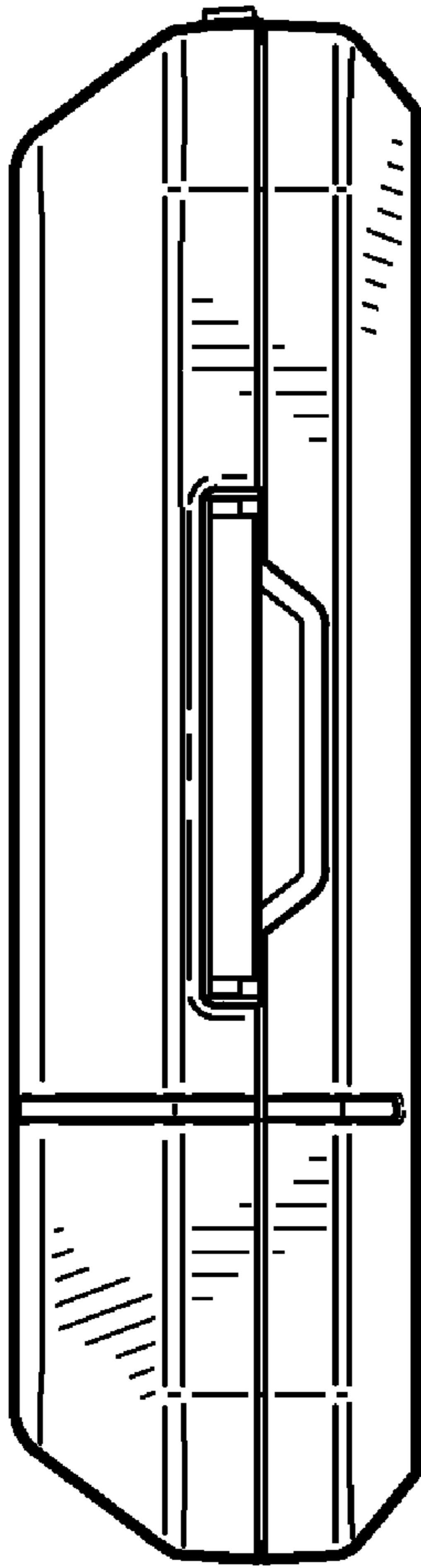


Fig. 4

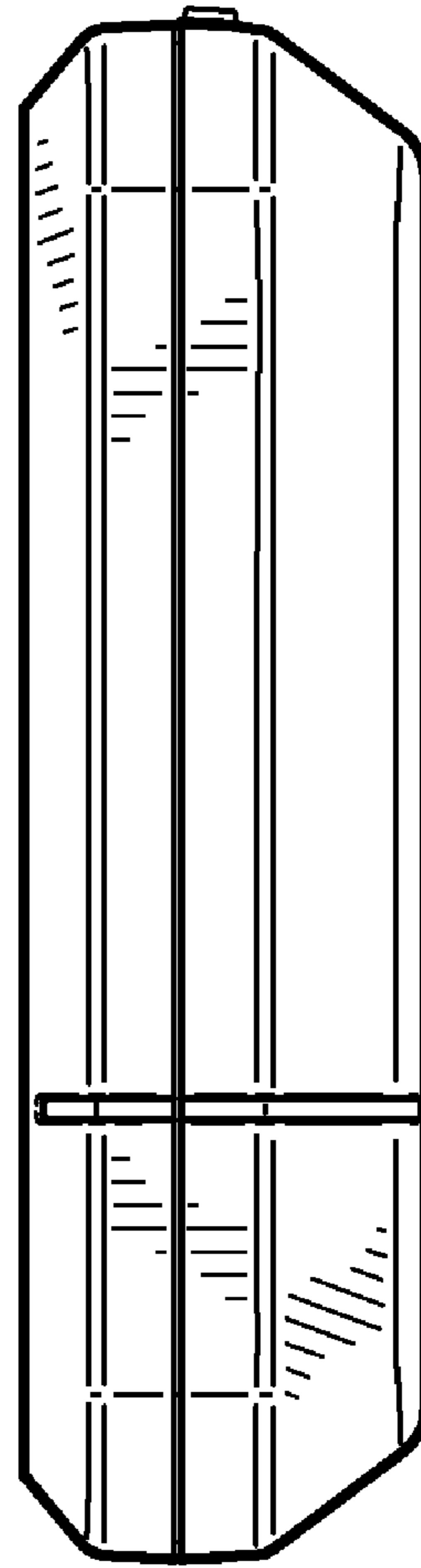


Fig. 5

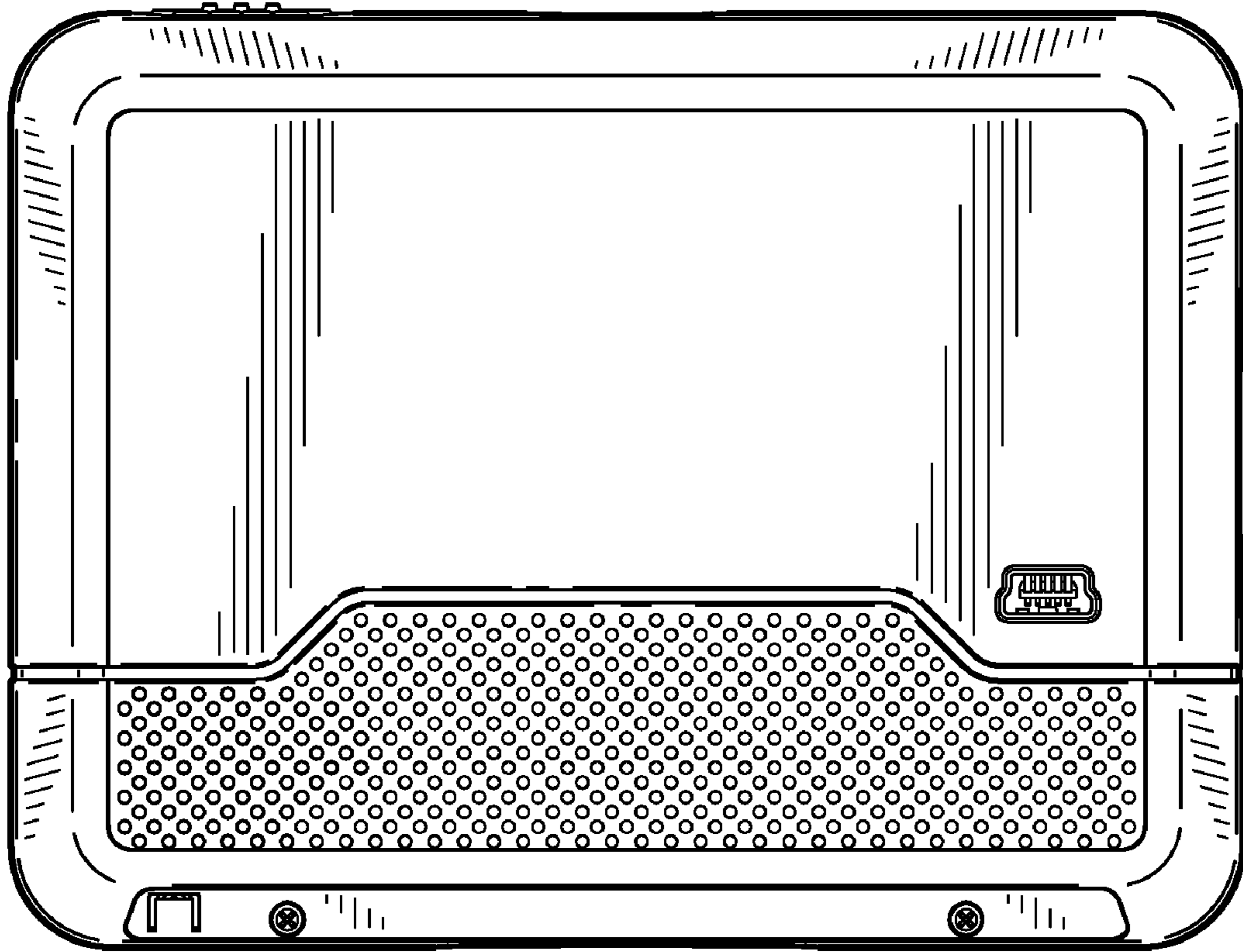


Fig. 6

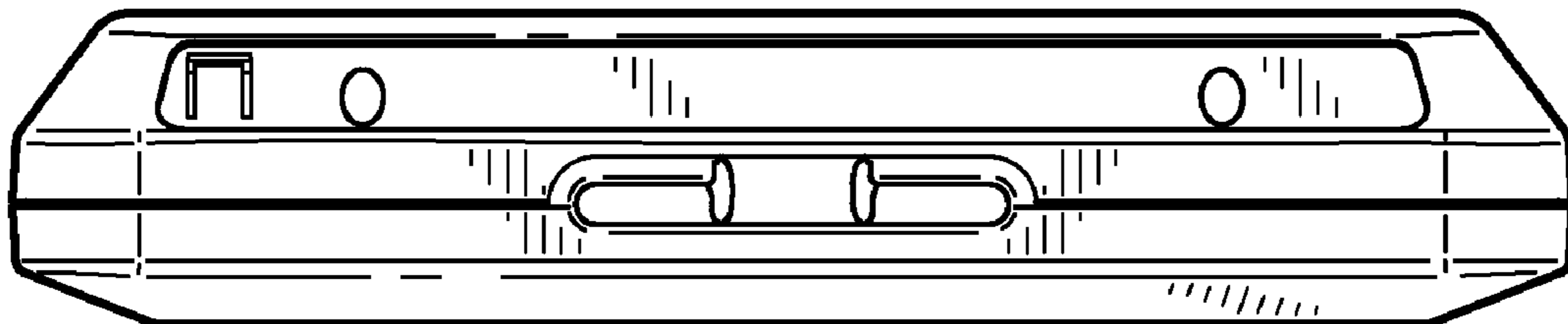


Fig. 7