

US00D566587S

(12) **United States Design Patent**
Rosen

(10) **Patent No.:** **US D566,587 S**

(45) **Date of Patent:** **** Apr. 15, 2008**

(54) **OVAL THERMOSTAT WITH DISPLAY AND DIAL**

D498,685 S * 11/2004 Friedman D10/50

(76) Inventor: **Howard Rosen**, 1 Lyncroft Rd.,
Montreal, Quebec (CA) H3X 3E3

* cited by examiner

Primary Examiner—Antoine D. Davis

(**) Term: **14 Years**

(74) *Attorney, Agent, or Firm*—Marc E. Hankin; Hankin
Patent Law, APC

(21) Appl. No.: **29/276,515**

(57) **CLAIM**

(22) Filed: **Jan. 26, 2007**

The ornamental design for an oval thermostat with display
and dial, as shown and described.

(51) **LOC (8) Cl.** **10-04**

(52) **U.S. Cl.** **D10/50**

(58) **Field of Classification Search** D10/49-50;
236/5, 46-47, 49.3, 51, 84, 94; 340/7.21-7.24,
340/7.32, 825.6, 825.72, 539.1, 539.11, 539.14,
340/539.21, 539.26, 426.21, 584, 589, 870.17;
374/167; 400/485; 455/420, 226.1

DESCRIPTION

See application file for complete search history.

FIG. 1 is a three-quarter perspective view of an oval
thermostat with display and dial showing my new design.

FIG. 2 is a side view thereof.

FIG. 3 is an end view thereof.

FIG. 4 is another end view thereof; and,

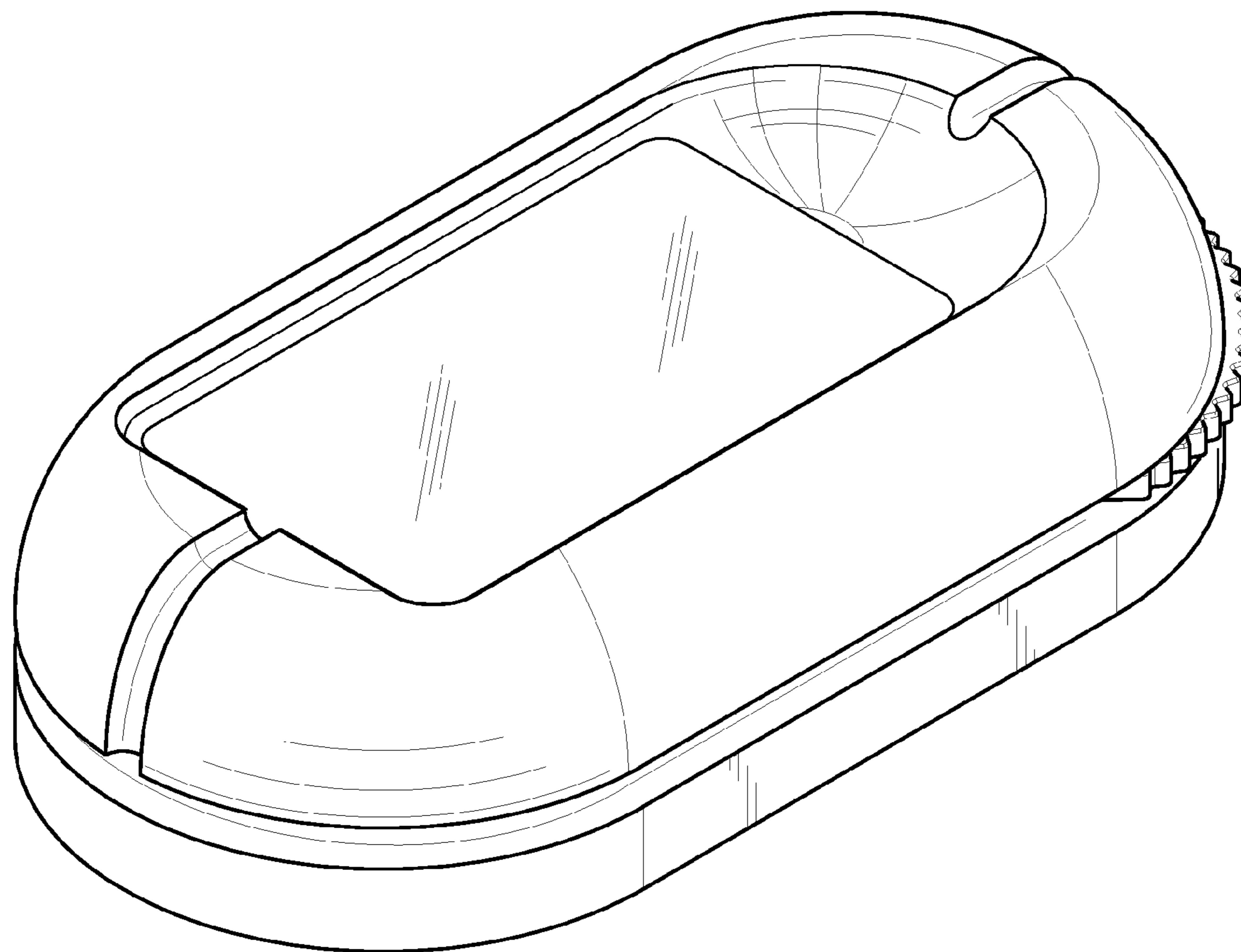
FIG. 5 is a top plan view thereof.

(56) **References Cited**

U.S. PATENT DOCUMENTS

D429,697 S * 8/2000 Monaco et al. D10/50

1 Claim, 3 Drawing Sheets



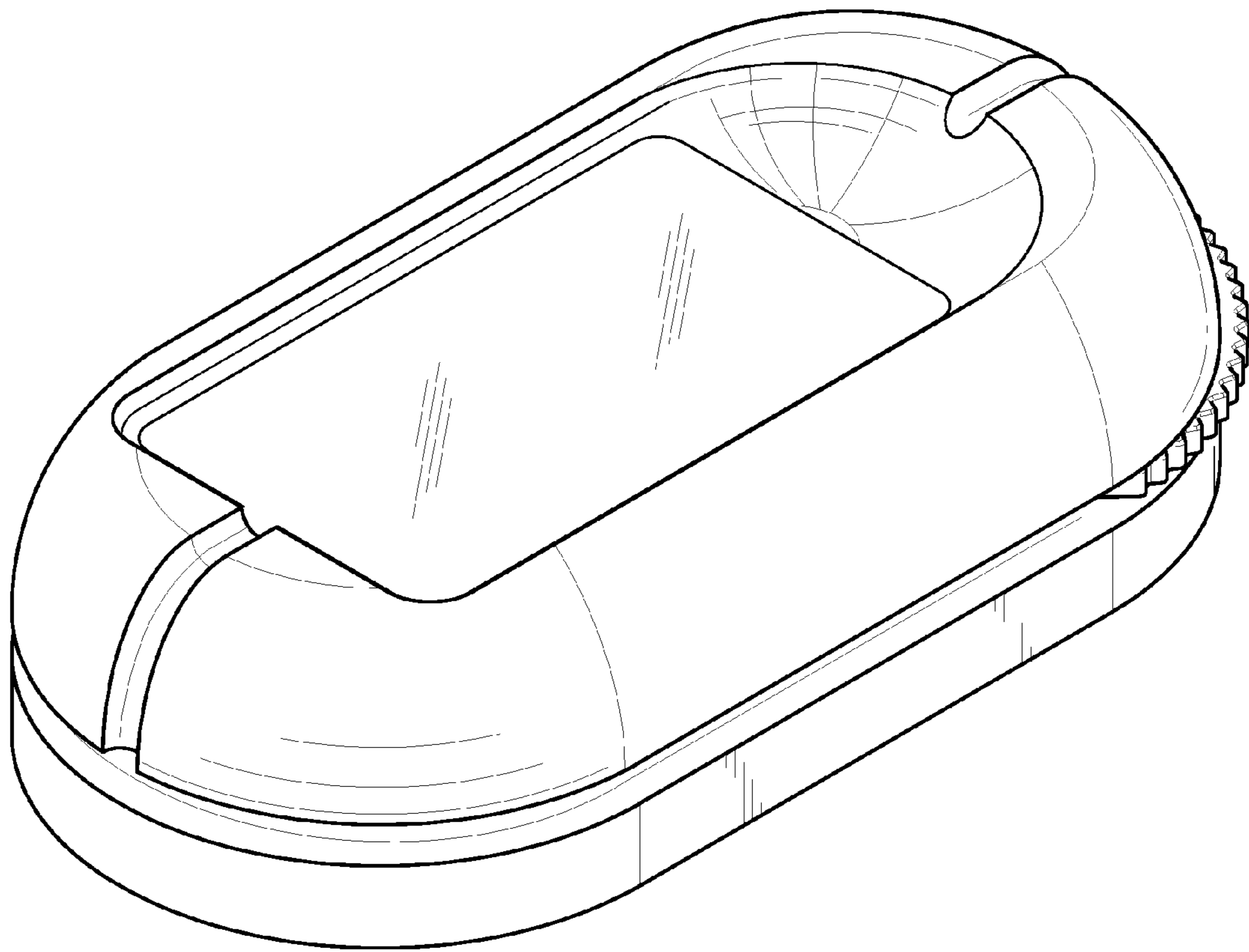


FIG. 1

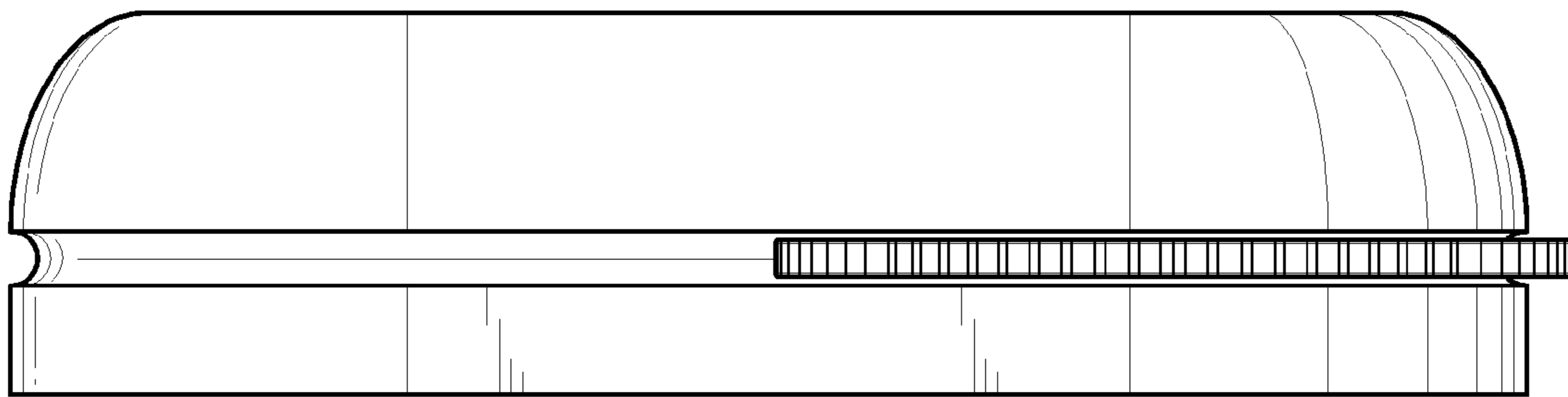


FIG. 2

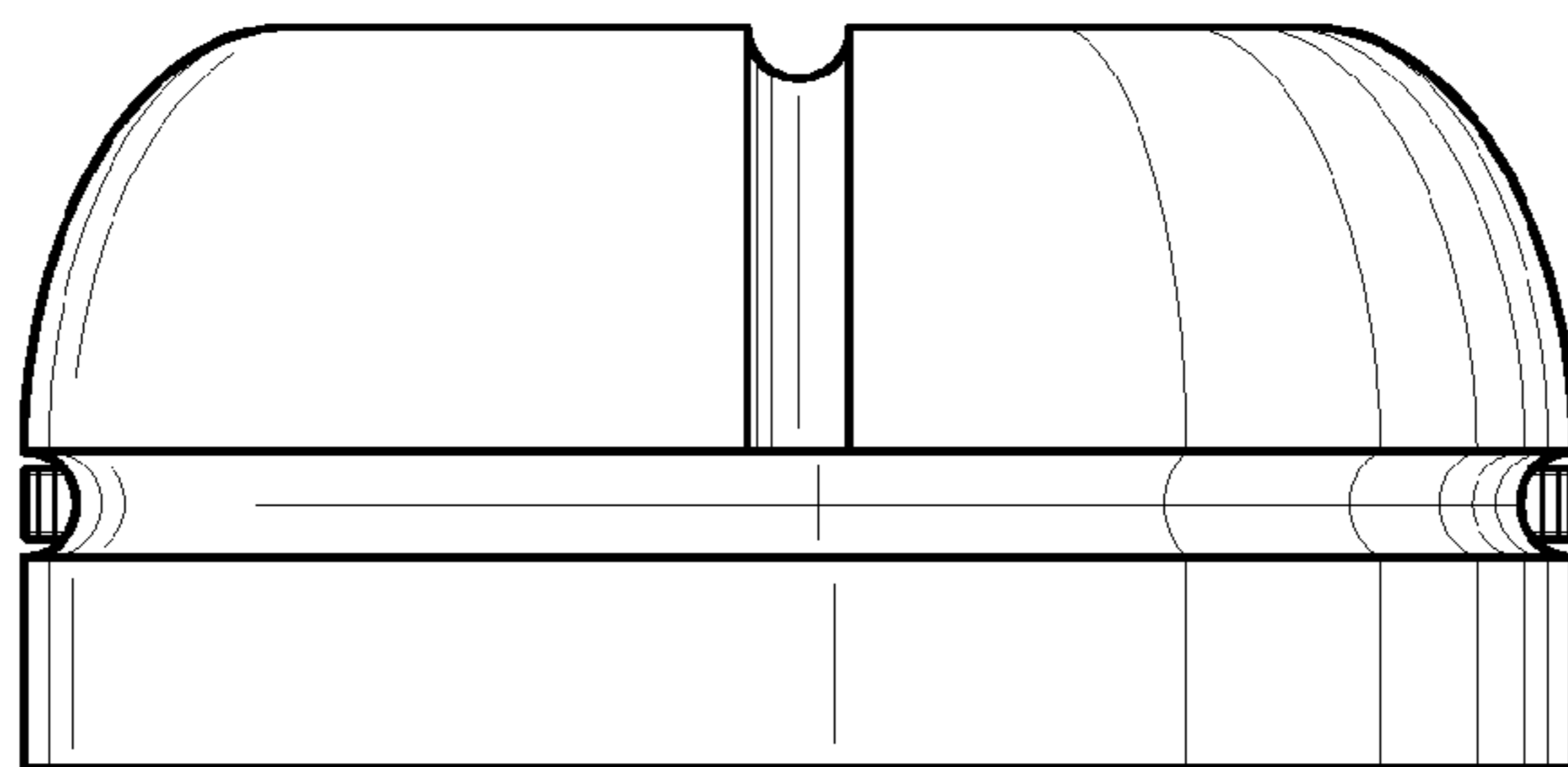


FIG. 3

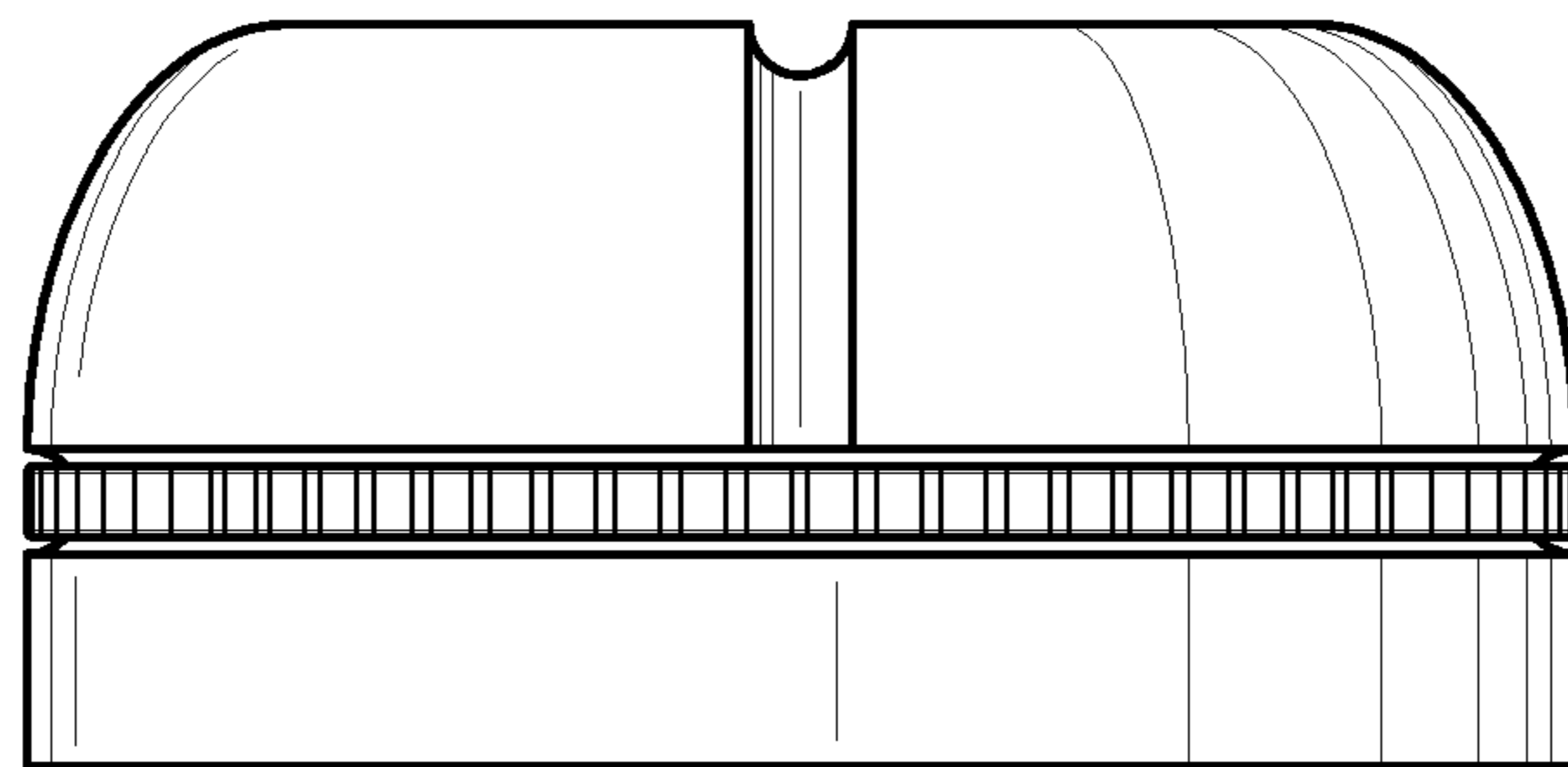


FIG. 4

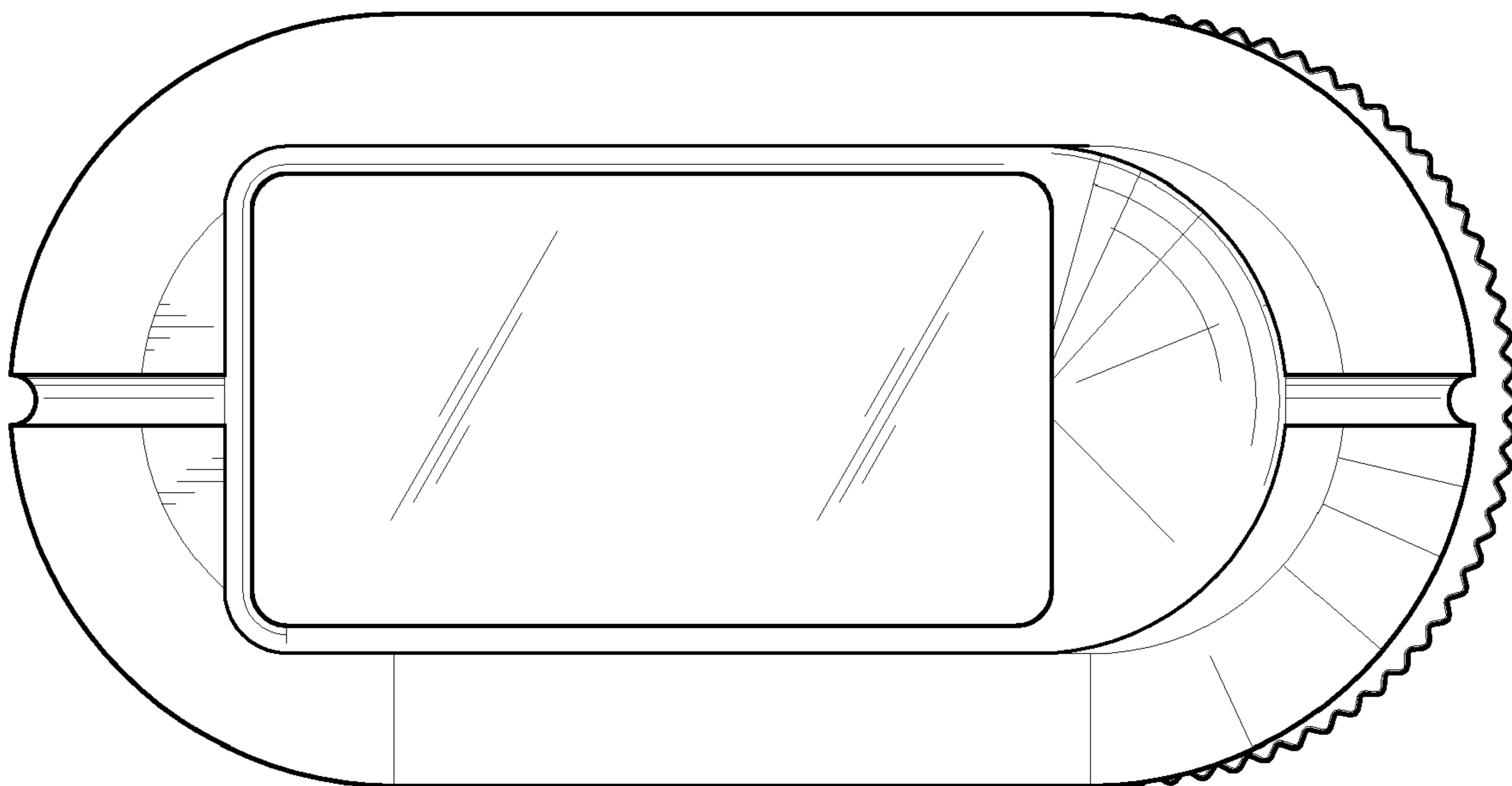


FIG. 5