



US00D566585S

(12) **United States Design Patent**
Belamich

(10) **Patent No.:** **US D566,585 S**

(45) **Date of Patent:** **** Apr. 15, 2008**

(54) **WATCH**

(75) Inventor: **Bruno Belamich**, Paris (FR)

(73) Assignee: **Bell & Ross BV**, Zoetermeer (NL)

(**) Term: **14 Years**

(21) Appl. No.: **29/295,869**

(22) Filed: **Oct. 9, 2007**

(30) **Foreign Application Priority Data**

Apr. 10, 2007 (EM) 000703343

(51) **LOC (8) Cl.** **10-02**

(52) **U.S. Cl.** **D10/39**

(58) **Field of Classification Search** D10/30–39,
D10/122–132; 368/276, 281, 282, 285, 80,
368/223, 228, 232, 21, 28, 288, 308, 319
See application file for complete search history.

(56) **References Cited**

U.S. PATENT DOCUMENTS

| | | | | |
|---------------|---------|----------------|-------|---------|
| D151,301 S * | 10/1948 | Tuffo | | D10/31 |
| D195,421 S * | 6/1963 | Huguenin | | D10/39 |
| D278,605 S * | 4/1985 | Didisheim | | D10/39 |
| 4,548,514 A * | 10/1985 | Ganter | | 368/291 |
| D287,470 S * | 12/1986 | Houlihan | | D10/30 |
| D317,871 S * | 7/1991 | Applegate, Jr. | | D10/30 |
| D327,851 S * | 7/1992 | Besson | | D10/39 |
| D357,637 S * | 4/1995 | Riley | | D10/30 |
| D383,402 S * | 9/1997 | Takeichi | | D10/39 |
| D391,501 S * | 3/1998 | Giardiello | | D10/39 |

| | | | | |
|----------------|---------|----------|-------|---------|
| D394,214 S * | 5/1998 | Sang | | D10/30 |
| D396,194 S * | 7/1998 | Bruce | | D10/31 |
| D410,199 S * | 5/1999 | Calvani | | D10/39 |
| D415,043 S * | 10/1999 | Fichter | | D10/39 |
| 6,896,403 B1 * | 5/2005 | Grau | | 368/190 |
| D525,537 S * | 7/2006 | Monachon | | D10/32 |

* cited by examiner

Primary Examiner—Lucy Lieberman

(74) *Attorney, Agent, or Firm*—Jeffer Mangels; Butler & Marmaro LLP

(57) **CLAIM**

The ornamental design for a watch, as shown and described.

DESCRIPTION

FIG. 1 is a front elevational view of the present invention; FIG. 2 is a right side elevational view of the present invention shown in FIG. 1;

FIG. 3 is a left side elevational view of the present invention shown in FIG. 1;

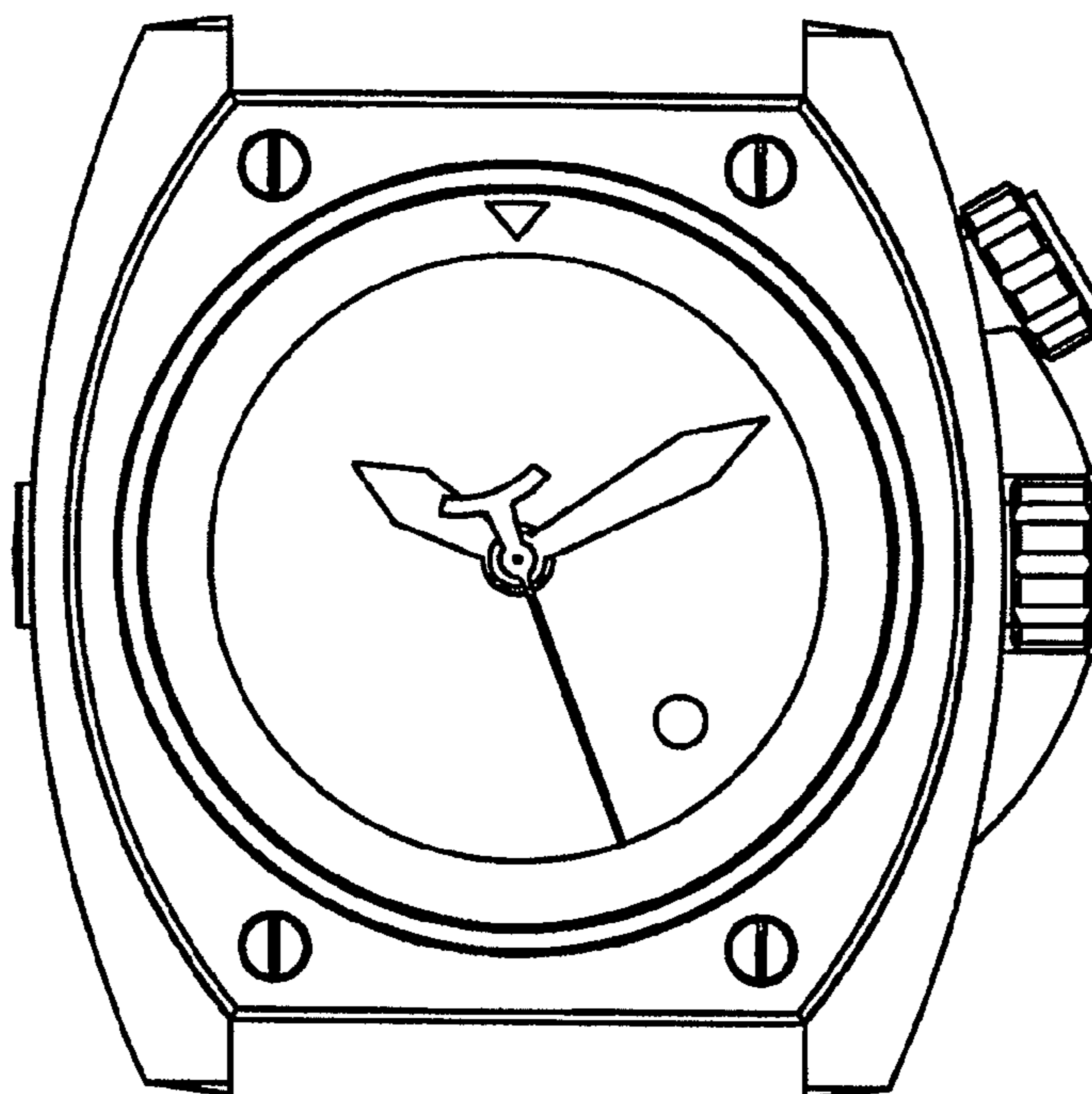
FIG. 4 is a top plan view of the present invention shown in FIG. 1;

FIG. 5 is a bottom plan view of the present invention shown in FIG. 1;

FIG. 6 is a rear elevational view of the present invention shown in FIG. 1; and,

FIG. 7 is a perspective view of the present invention shown in FIG. 1.

1 Claim, 3 Drawing Sheets



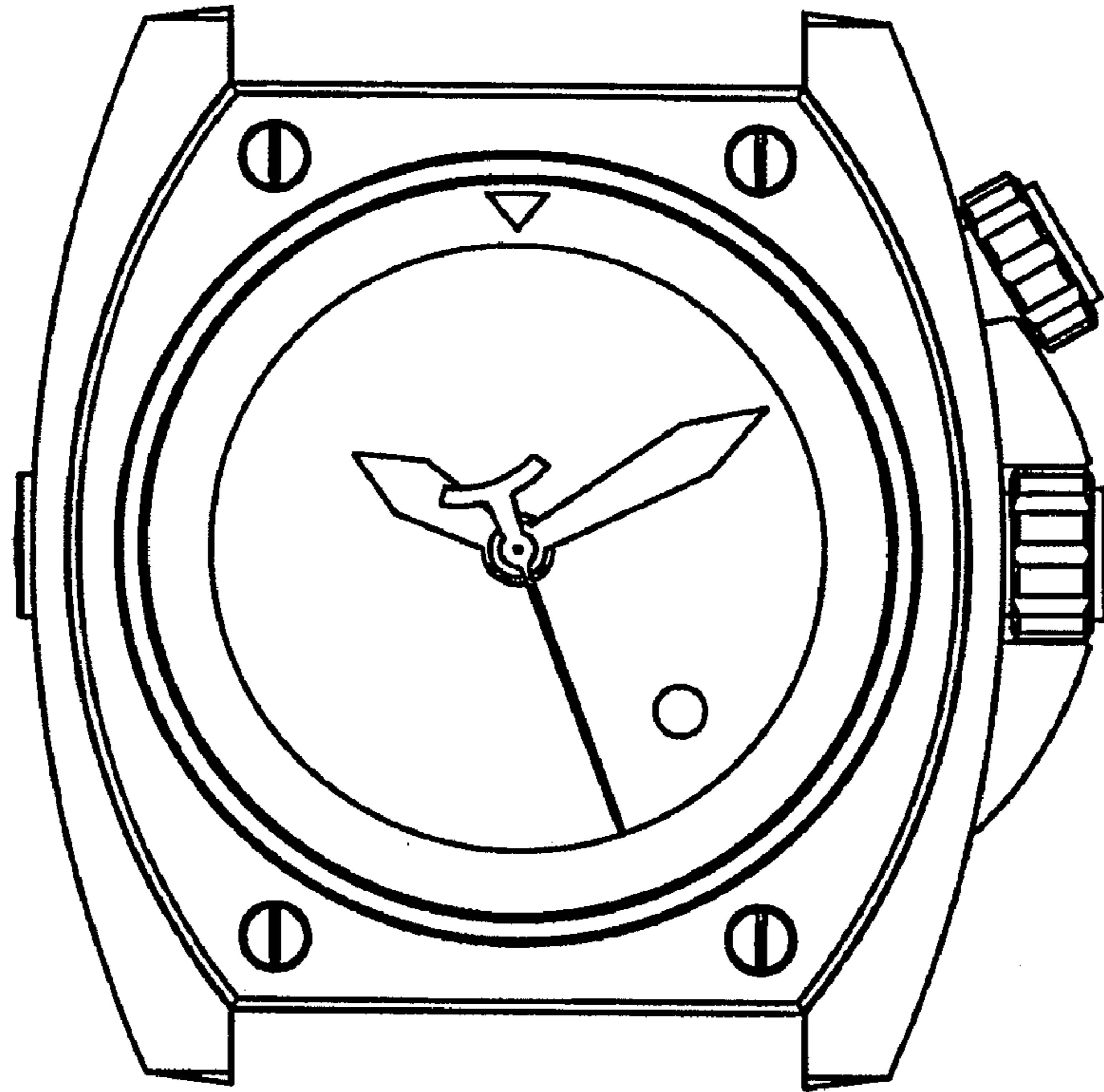


Fig. 1

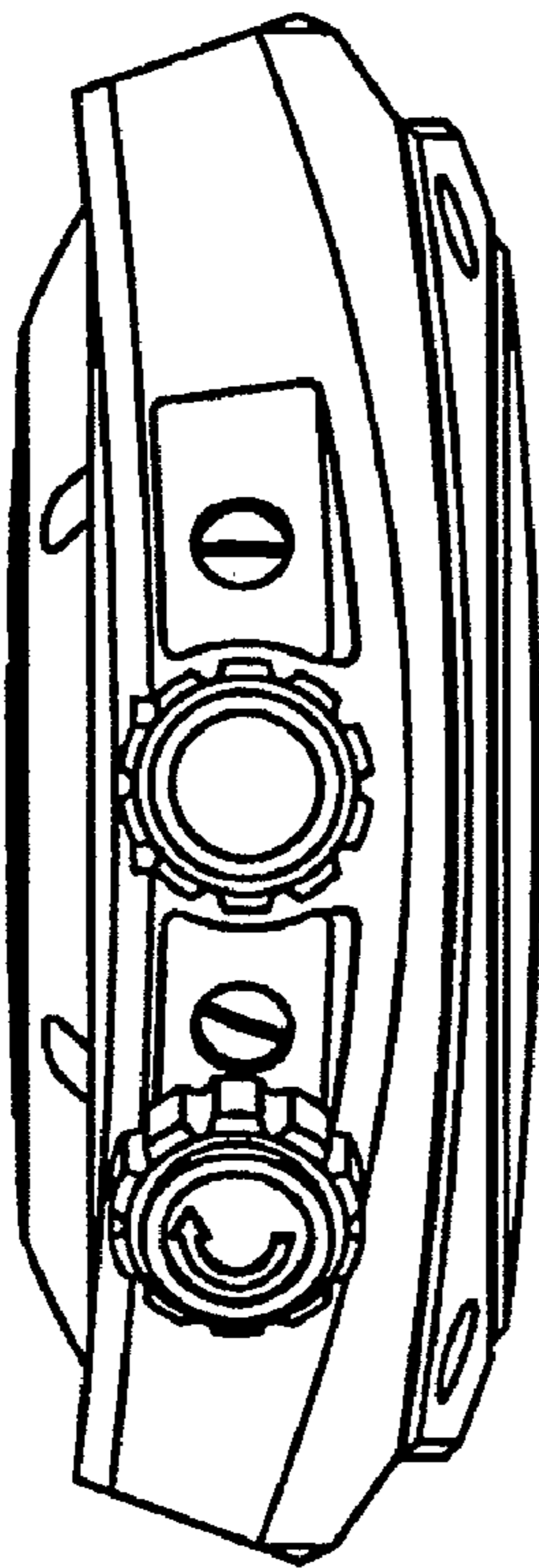


Fig. 2

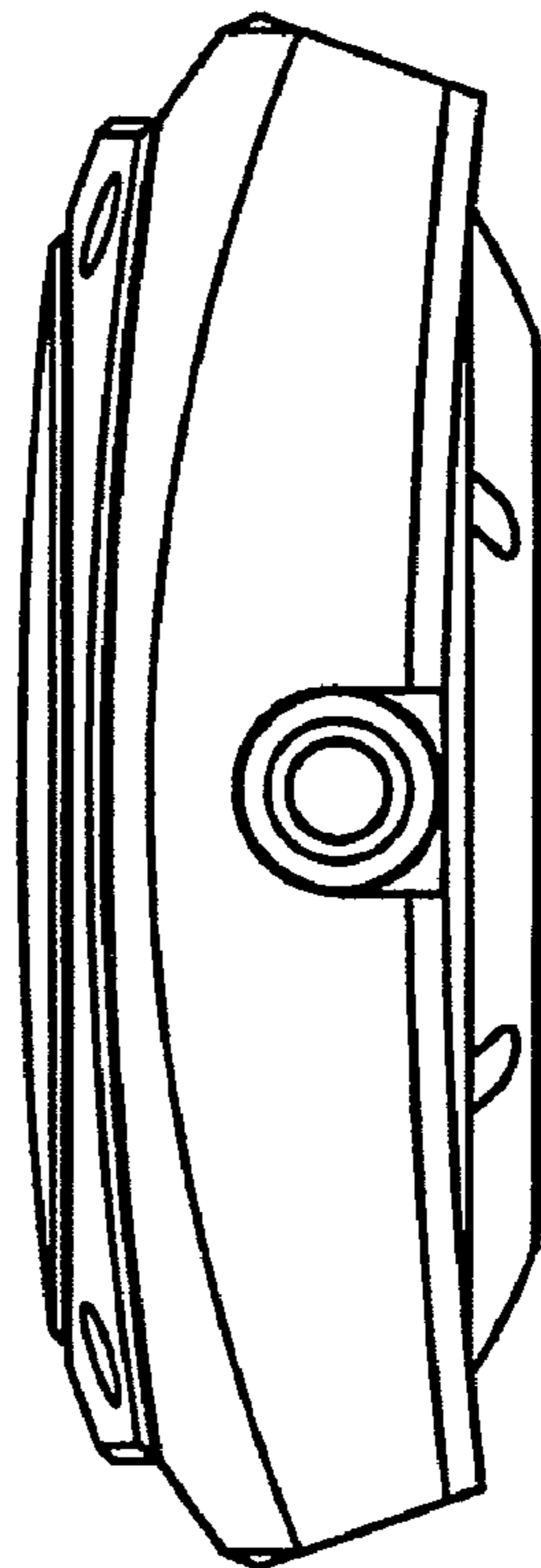


Fig. 3

Fig. 4

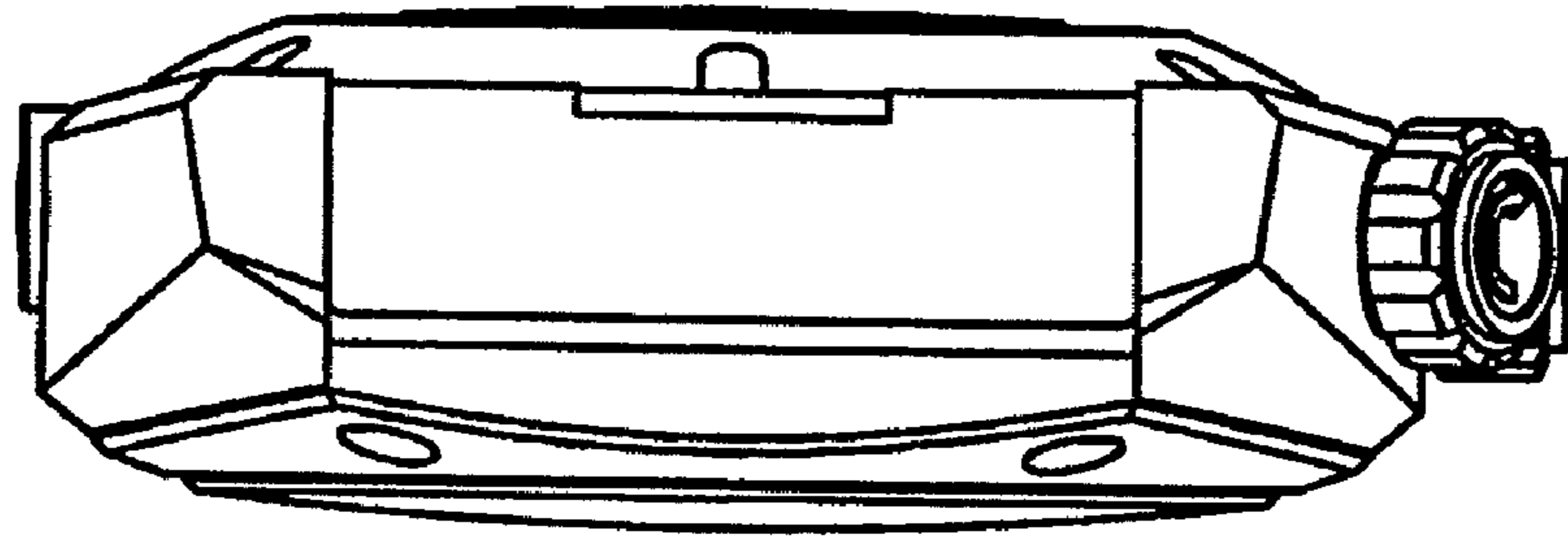


Fig. 5

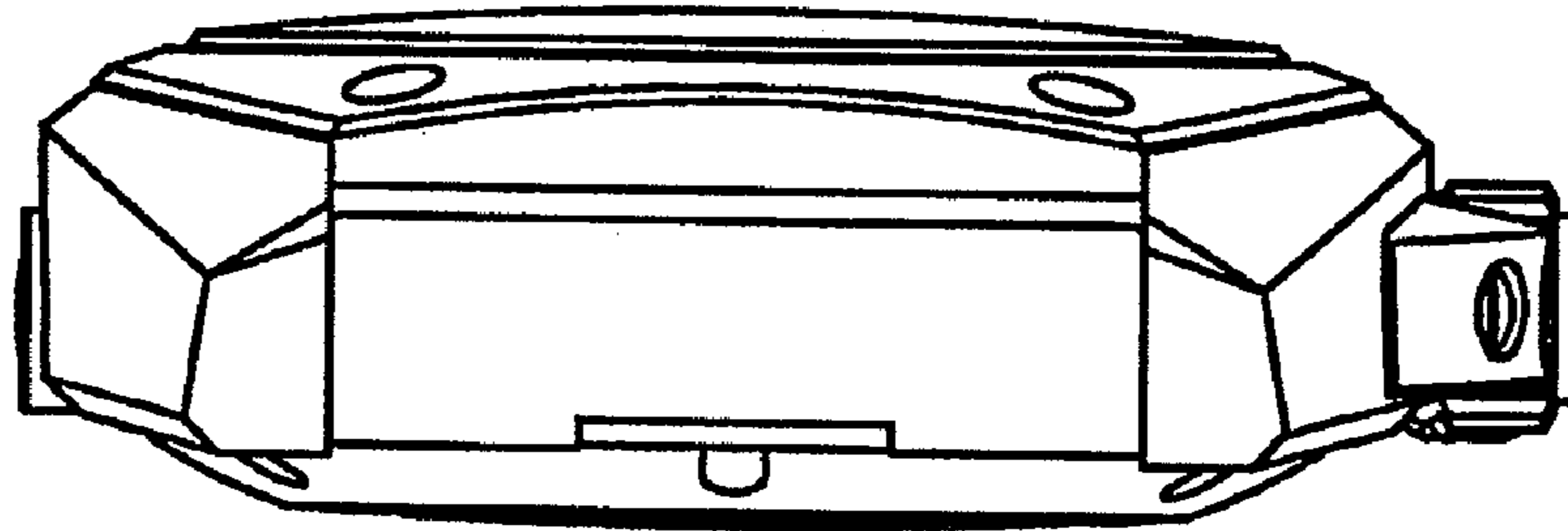
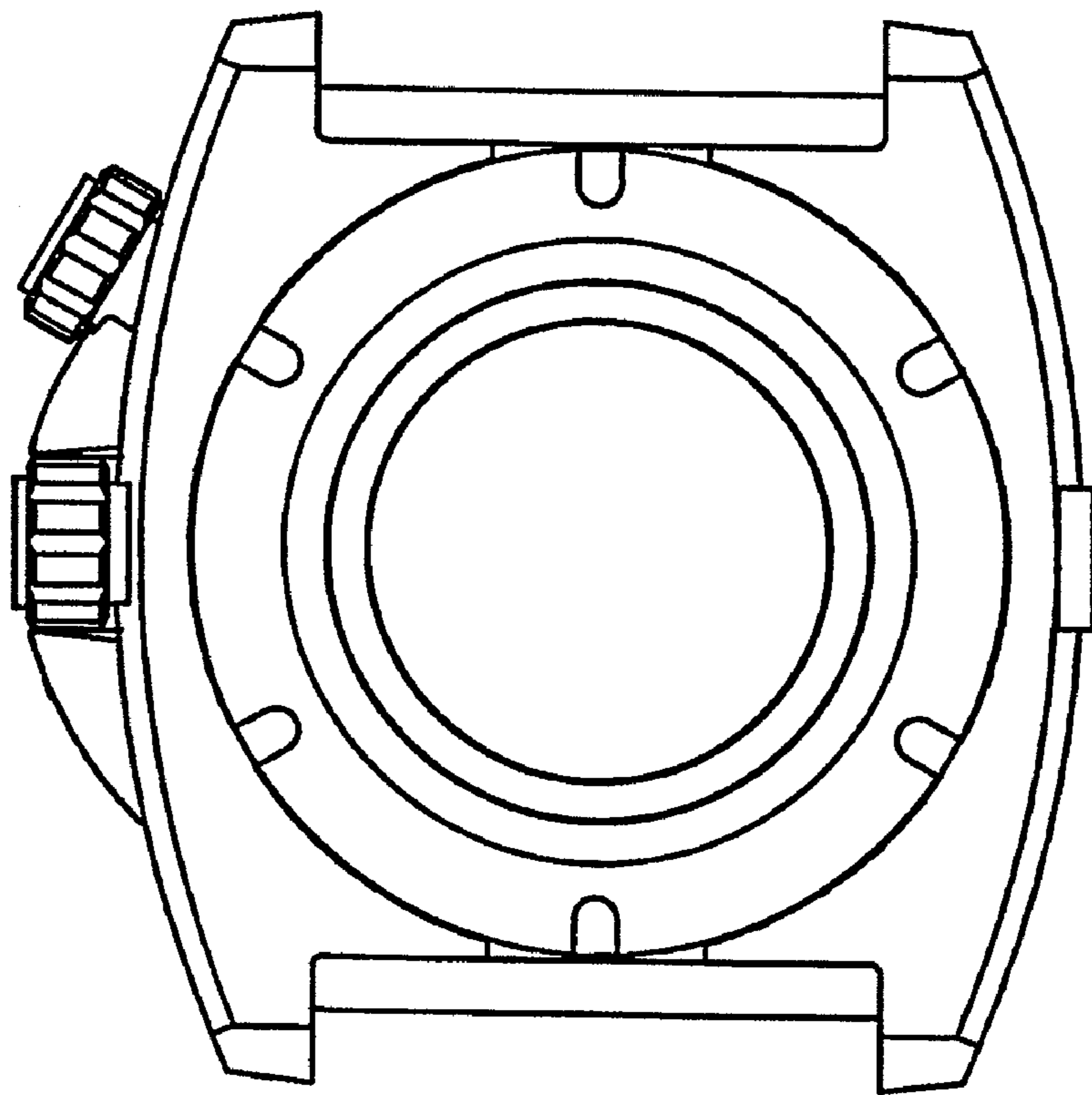


Fig. 6



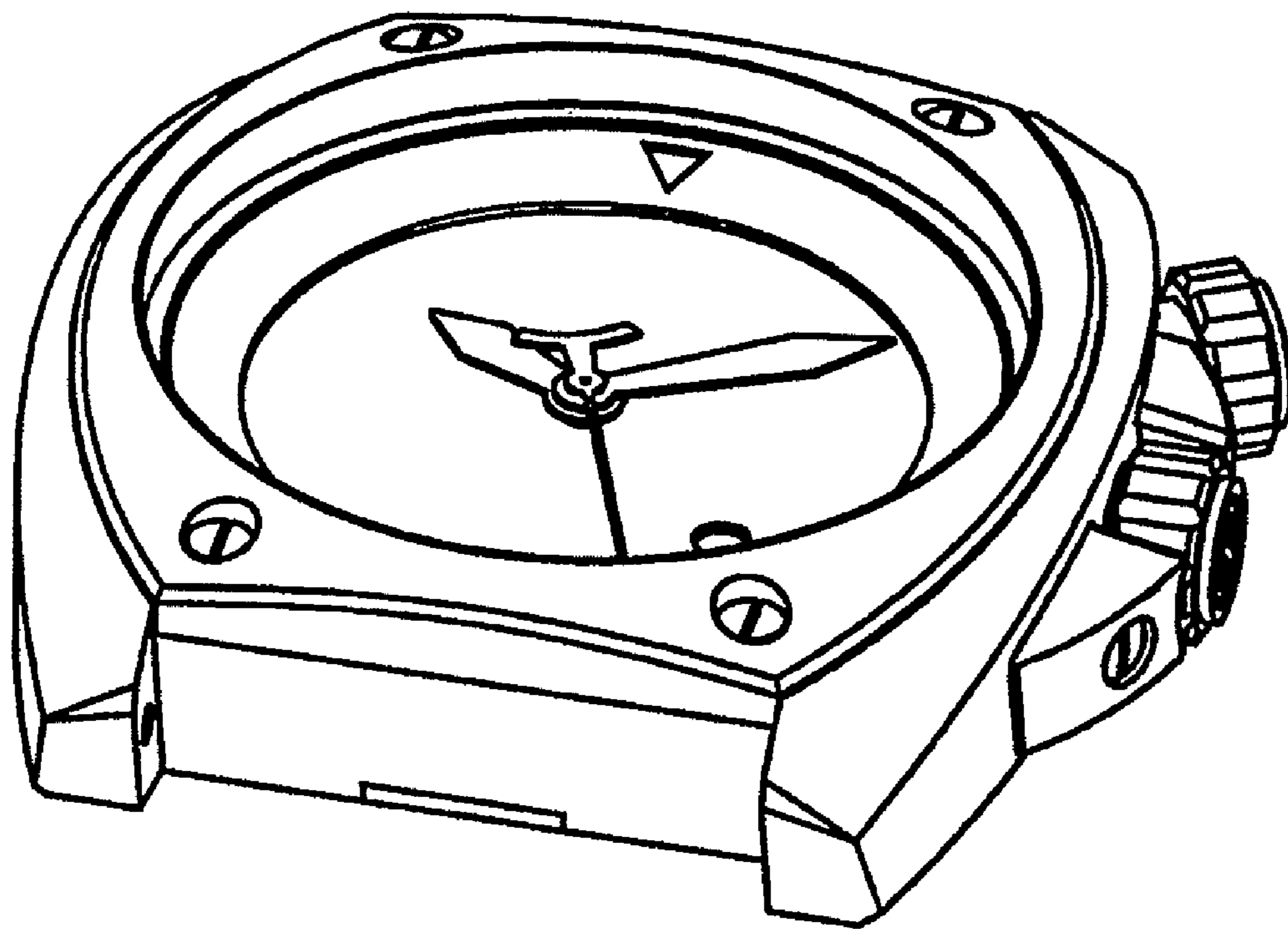


Fig. 7