

US00D566583S

(12) **United States Design Patent**  
**Holtzman**

(10) **Patent No.:** **US D566,583 S**

(45) **Date of Patent:** **\*\* Apr. 15, 2008**

(54) **WATCH**

(75) **Inventor:** **Steven M. Holtzman**, Wilkes-Barre, PA (US)

(73) **Assignee:** **Luxury Watch Distribution, Inc.**, Wilkes-Barre, PA (US)

(\*\*) **Term:** **14 Years**

(21) **Appl. No.:** **29/282,514**

(22) **Filed:** **Jul. 23, 2007**

(51) **LOC (8) Cl.** ..... **10-02**

(52) **U.S. Cl.** ..... **D10/39**

(58) **Field of Classification Search** ..... D10/30-39;  
368/276, 281, 282, 285, 223, 228, 232, 80,  
368/277

See application file for complete search history.

(56) **References Cited**

**U.S. PATENT DOCUMENTS**

1,701,339	A *	2/1929	Roy	.....	24/265 R
1,708,466	A *	4/1929	Brandt	.....	59/80
1,766,971	A *	6/1930	Augenstein	.....	63/3
D93,390	S *	9/1934	Graef	.....	D10/39
2,069,453	A *	2/1937	Lazrus	.....	368/281
2,227,131	A *	12/1940	Friedman	.....	368/281
2,532,161	A *	11/1950	Gomberg	.....	224/179
2,541,432	A *	2/1951	Muehlbauer	.....	D10/32
D284,642	S *	7/1986	Kabaya	.....	D10/38
D322,227	S *	12/1991	Warhol	.....	D10/32
5,206,841	A *	4/1993	Boucheron	.....	368/276
5,601,222	A *	2/1997	Haddad	.....	224/165
D390,479	S *	2/1998	Brandys et al.	.....	D10/39
D403,596	S *	1/1999	Charriol	.....	D10/30
D413,818	S *	9/1999	Baumann	.....	D10/32
D432,028	S *	10/2000	Burgener	.....	D10/32

D440,886	S *	4/2001	Burgener	.....	D10/32
D446,130	S *	8/2001	Nakanishi	.....	D10/38
D446,461	S *	8/2001	Wunderman	.....	D10/32
D475,306	S *	6/2003	Modolo	.....	D10/39
D475,935	S *	6/2003	Modolo	.....	D10/39
D484,814	S *	1/2004	Sugiura	.....	D10/32
D513,195	S *	12/2005	Gruosi	.....	D10/38
D526,215	S *	8/2006	Calvani	.....	D10/38
D526,912	S *	8/2006	Calvani	.....	D10/38
D528,019	S *	9/2006	Bedat	.....	D10/39
D534,438	S *	1/2007	Bedat	.....	D10/32
D544,377	S *	6/2007	Chodat	.....	D10/38

**FOREIGN PATENT DOCUMENTS**

WO DM 059130 \* 1/2002

\* cited by examiner

*Primary Examiner*—Lucy Lieberman

(74) *Attorney, Agent, or Firm*—Galbreath Law Offices, P.C.;  
John A. Galbreath

(57) **CLAIM**

The ornamental design for a watch, as shown and described.

**DESCRIPTION**

FIG. 1 is a front view of the invention;

FIG. 2 is a back view of the invention;

FIG. 3 is a side view of the invention;

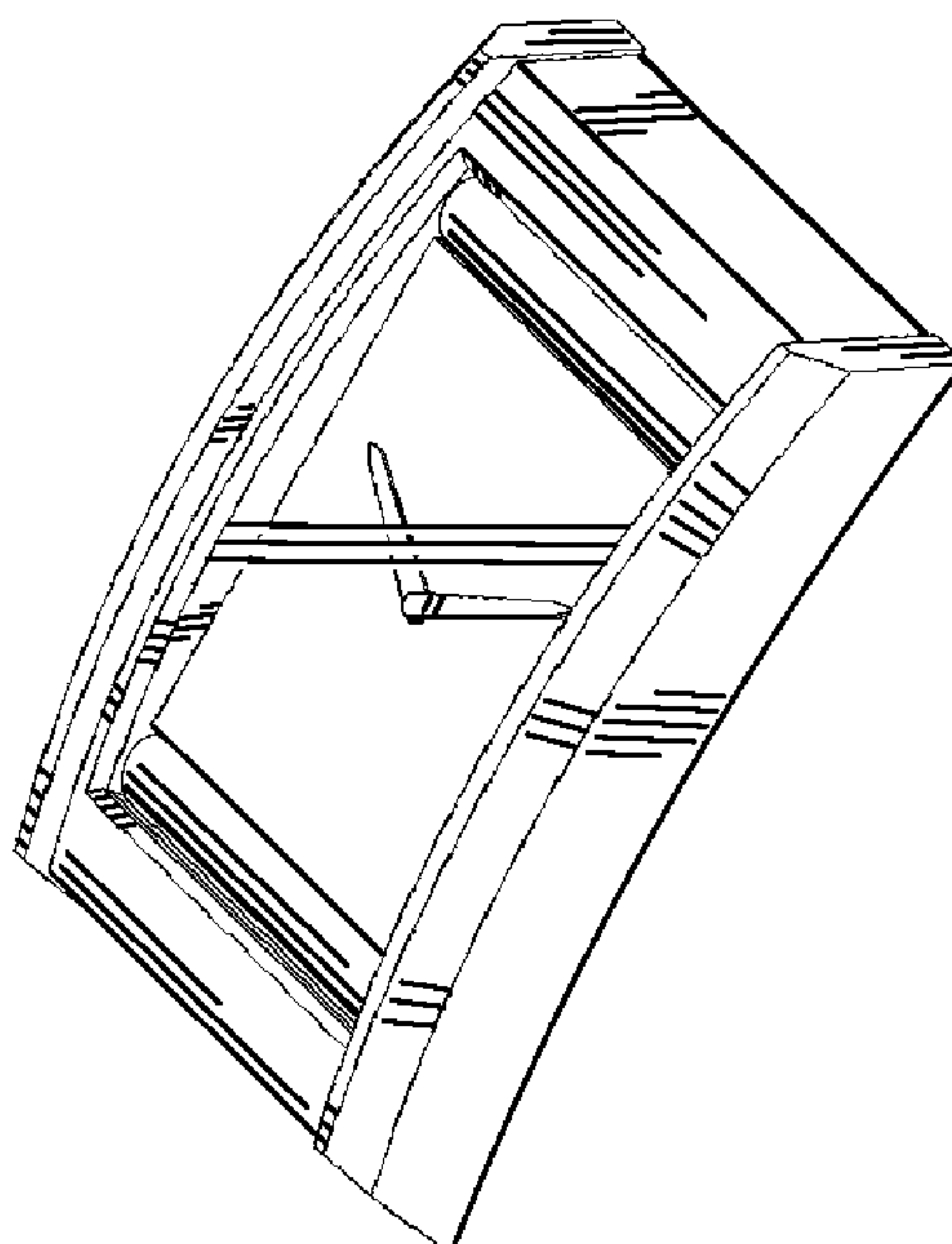
FIG. 4 is a side view of the invention, showing the side opposite that shown in FIG. 3;

FIG. 5 is a top view of the invention;

FIG. 6 is a bottom view of the invention; and,

FIG. 7 is a perspective view of the invention.

**1 Claim, 1 Drawing Sheet**



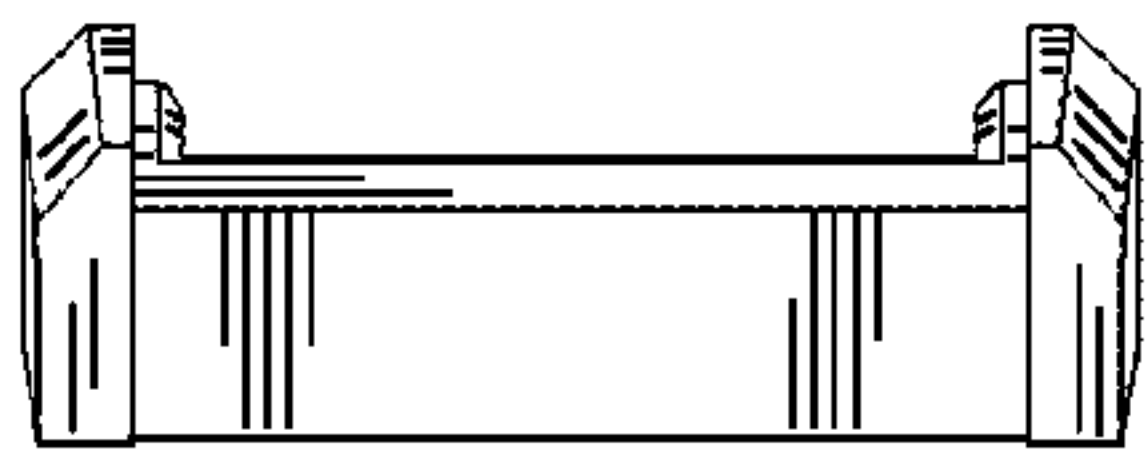


Fig. 1

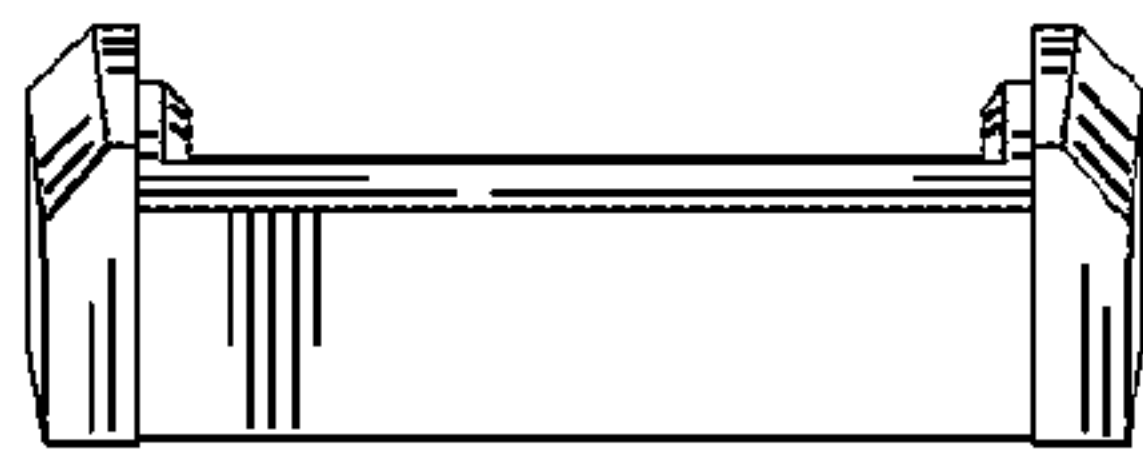


Fig. 2

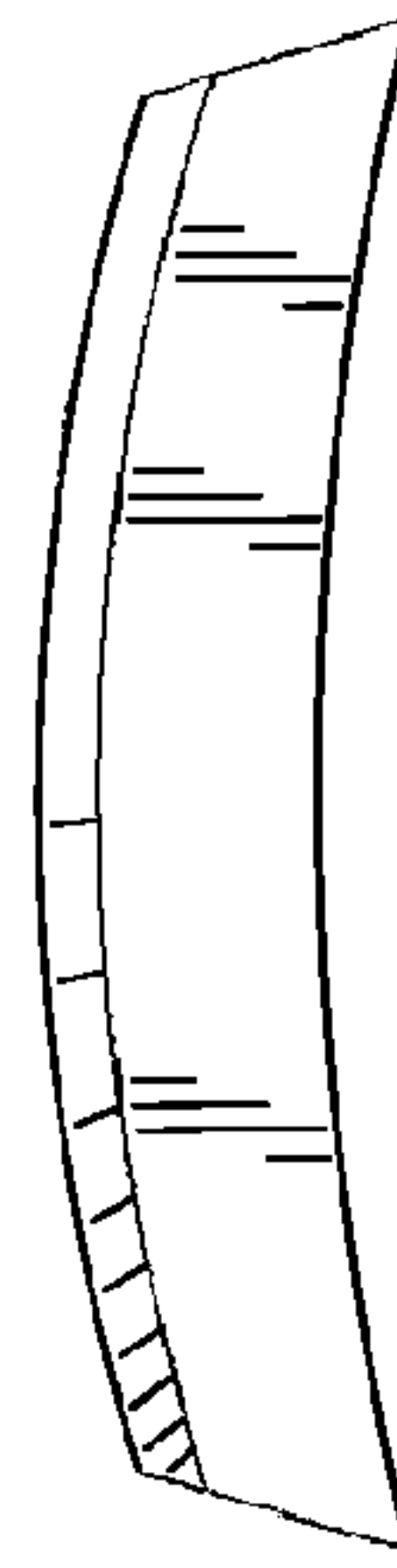


Fig. 3



Fig. 4

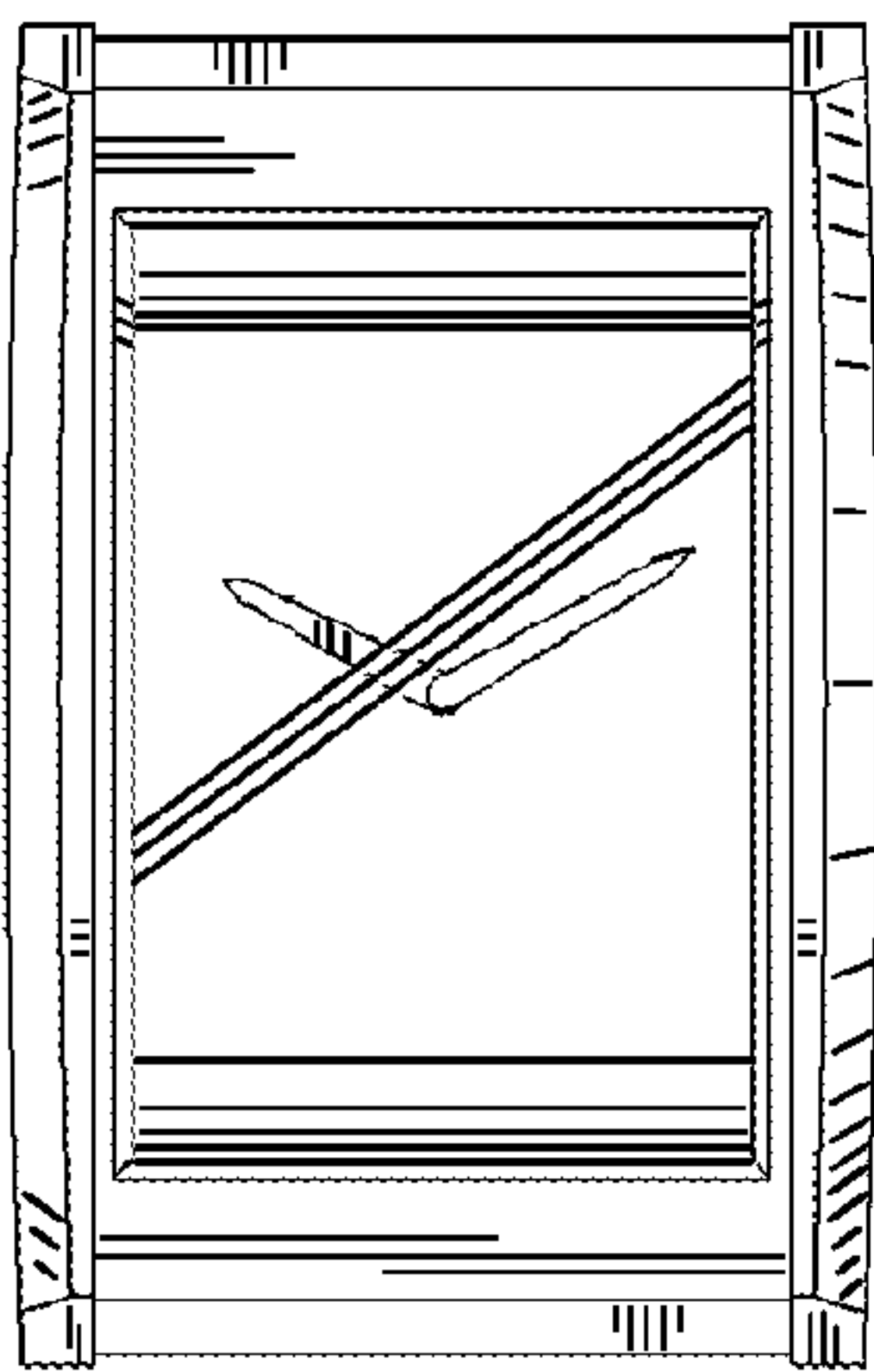


Fig. 5

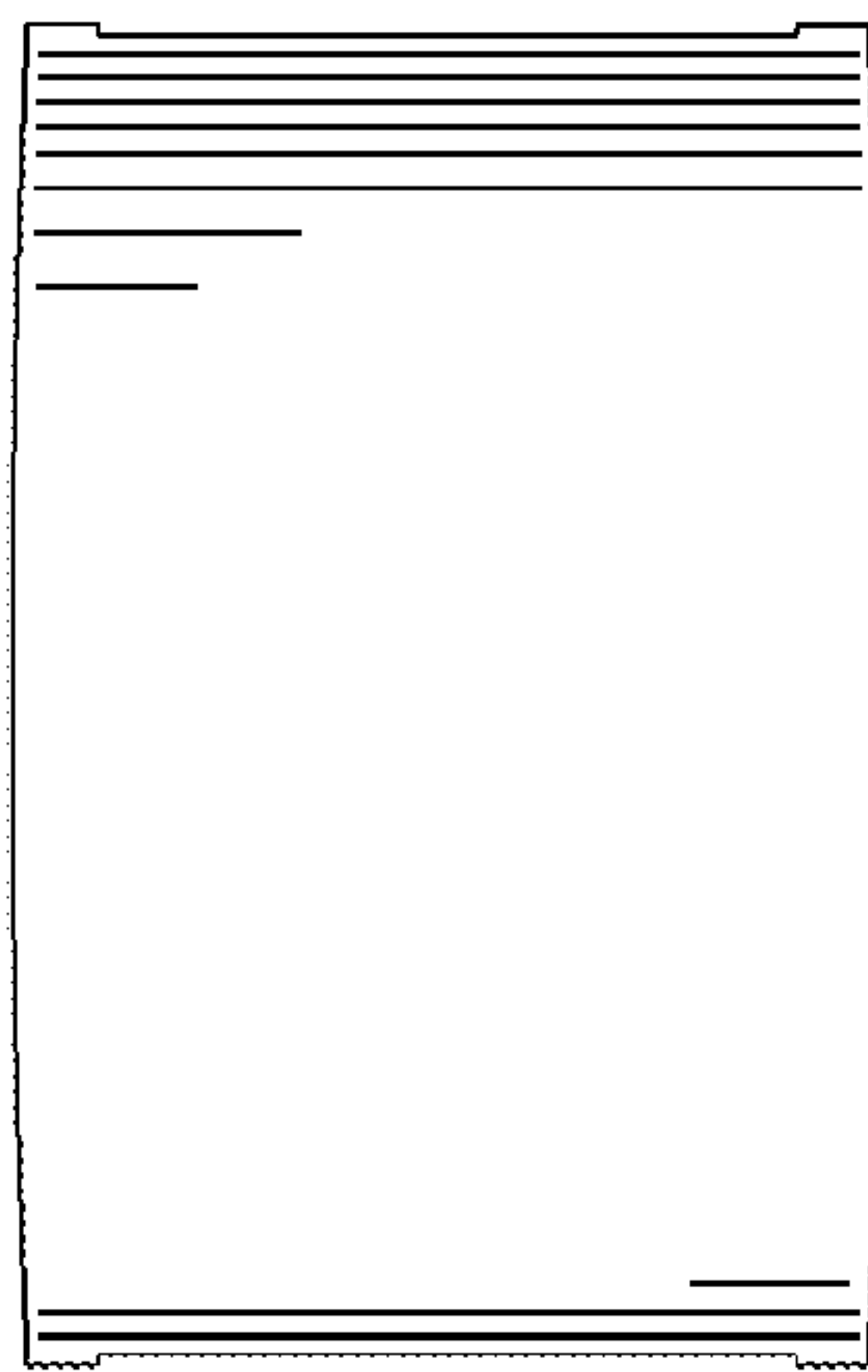


Fig. 6

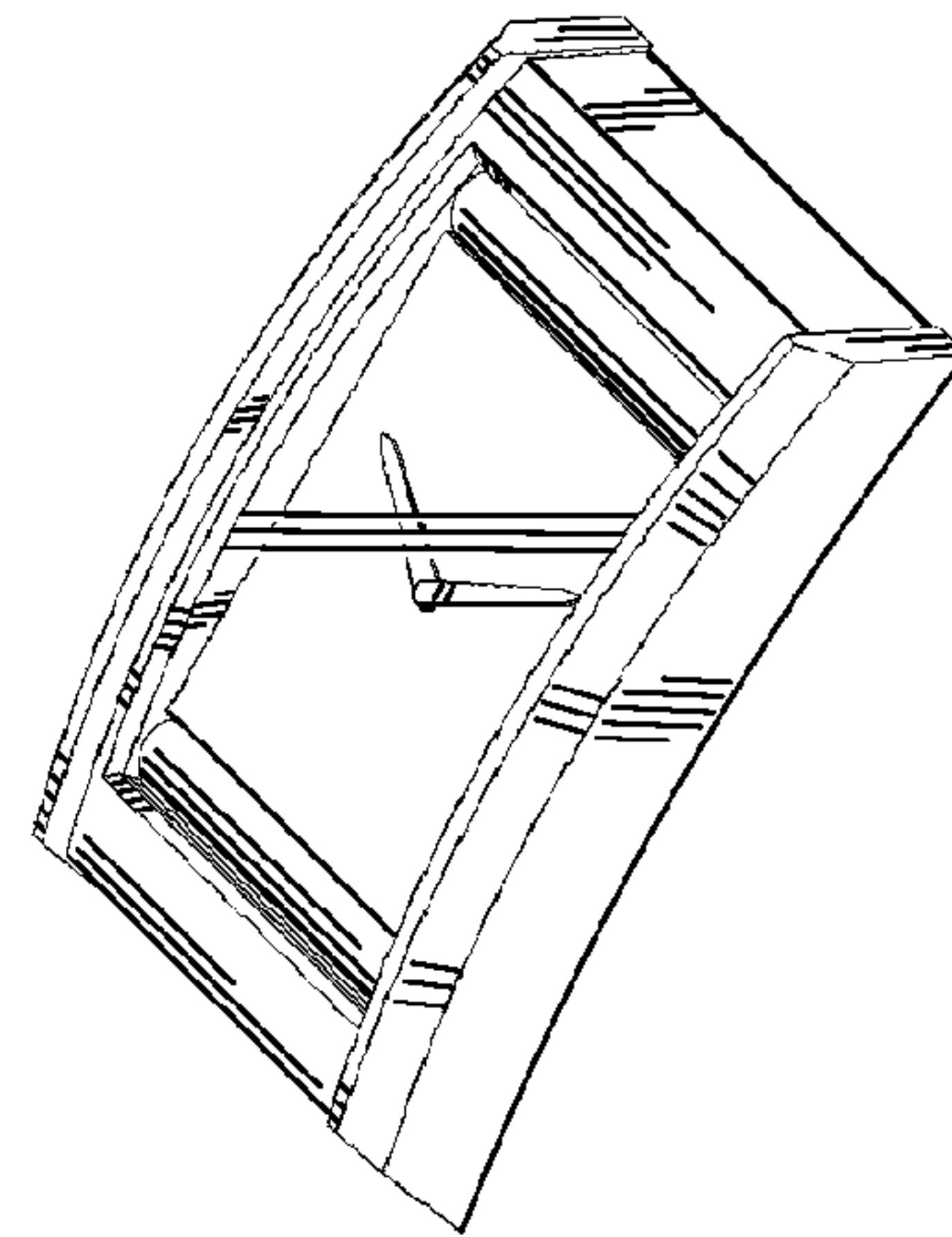


Fig. 7