



US00D566580S

(12) **United States Design Patent**
Giorgio

(10) **Patent No.:** **US D566,580 S**

(45) **Date of Patent:** **** Apr. 15, 2008**

(54) **WRISTWATCH**

(76) Inventor: **David Giorgio**, 30 Murralong Avenue,
Five Dock NSW (AU) 2046

(**) Term: **14 Years**

(21) Appl. No.: **29/250,897**

(22) Filed: **Dec. 4, 2006**

(51) **LOC (8) Cl.** **10-02**

(52) **U.S. Cl.** **D10/32**

(58) **Field of Classification Search** D10/30-39,
D10/122-132; 368/276, 278, 281, 282, 285,
368/223, 21, 28, 228, 232; D11/3, 5; 224/164,
224/173; 63/3, 3.1

See application file for complete search history.

(56) **References Cited**

U.S. PATENT DOCUMENTS

1,752,128	A *	3/1930	Vetter	368/282
D89,450	S *	3/1933	Reis	D11/4
2,473,226	A *	6/1949	Sheldon	224/219
D163,987	S *	7/1951	Barre	D10/38
3,545,198	A *	12/1970	Loftus	368/281
D243,318	S *	2/1977	Kurihara	D10/32
D244,707	S *	6/1977	Tiep	D21/531
D244,916	S *	7/1977	Ueno	D10/38
4,034,552	A *	7/1977	Davidson	368/280
5,051,967	A *	9/1991	Diamond, III	368/62
D320,566	S *	10/1991	Ericson	D10/32
5,642,558	A *	7/1997	Bodkin, Sr.	24/674

D398,247	S *	9/1998	Dumas	D10/32
D495,258	S *	8/2004	Jorgensen	D10/32
D501,639	S *	2/2005	Modolo	D10/32
6,857,775	B1 *	2/2005	Wilson	368/281
D509,759	S *	9/2005	Scheufele	D10/39
D525,553	S *	7/2006	Toupet	D11/5
D541,179	S *	4/2007	Ahlstrom	D10/31
D544,372	S *	6/2007	Seyr et al.	D10/32

* cited by examiner

Primary Examiner—Lucy Lieberman

(74) *Attorney, Agent, or Firm*—Design IP

(57) **CLAIM**

The ornamental design for a wristwatch, as shown and described.

DESCRIPTION

FIG. 1 is a top right perspective view of an ornamental design for a wristwatch showing my new design;

FIG. 2 is a top left perspective view thereof;

FIG. 3 is a bottom left perspective view thereof

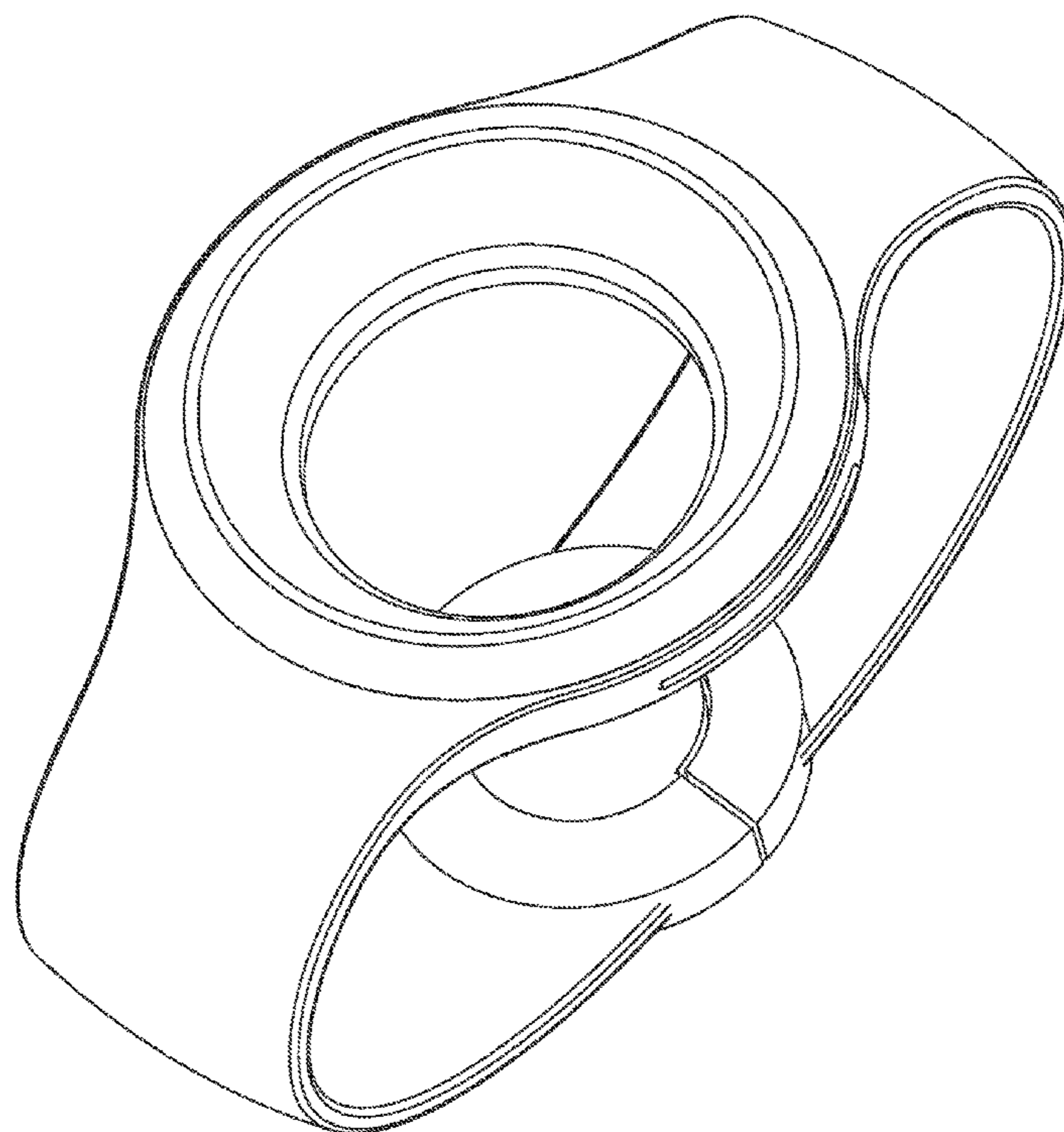
FIG. 4 is a bottom right perspective view thereof;

FIG. 5 is a front view thereof, the rear view being a mirror image;

FIG. 6 is a top view thereof; and,

FIG. 7 is a right side view thereof, the left side view being a mirror image.

1 Claim, 7 Drawing Sheets



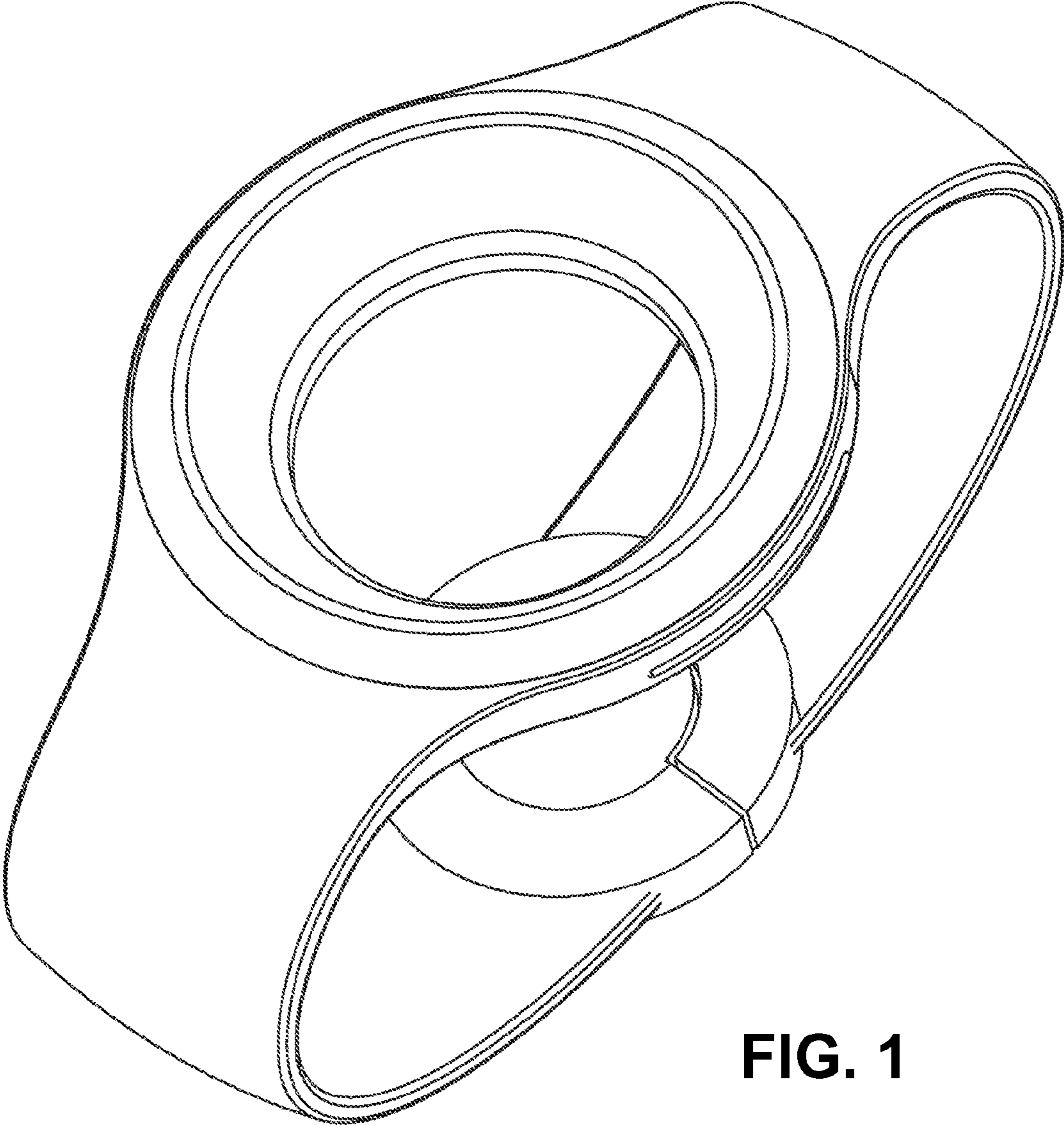


FIG. 1

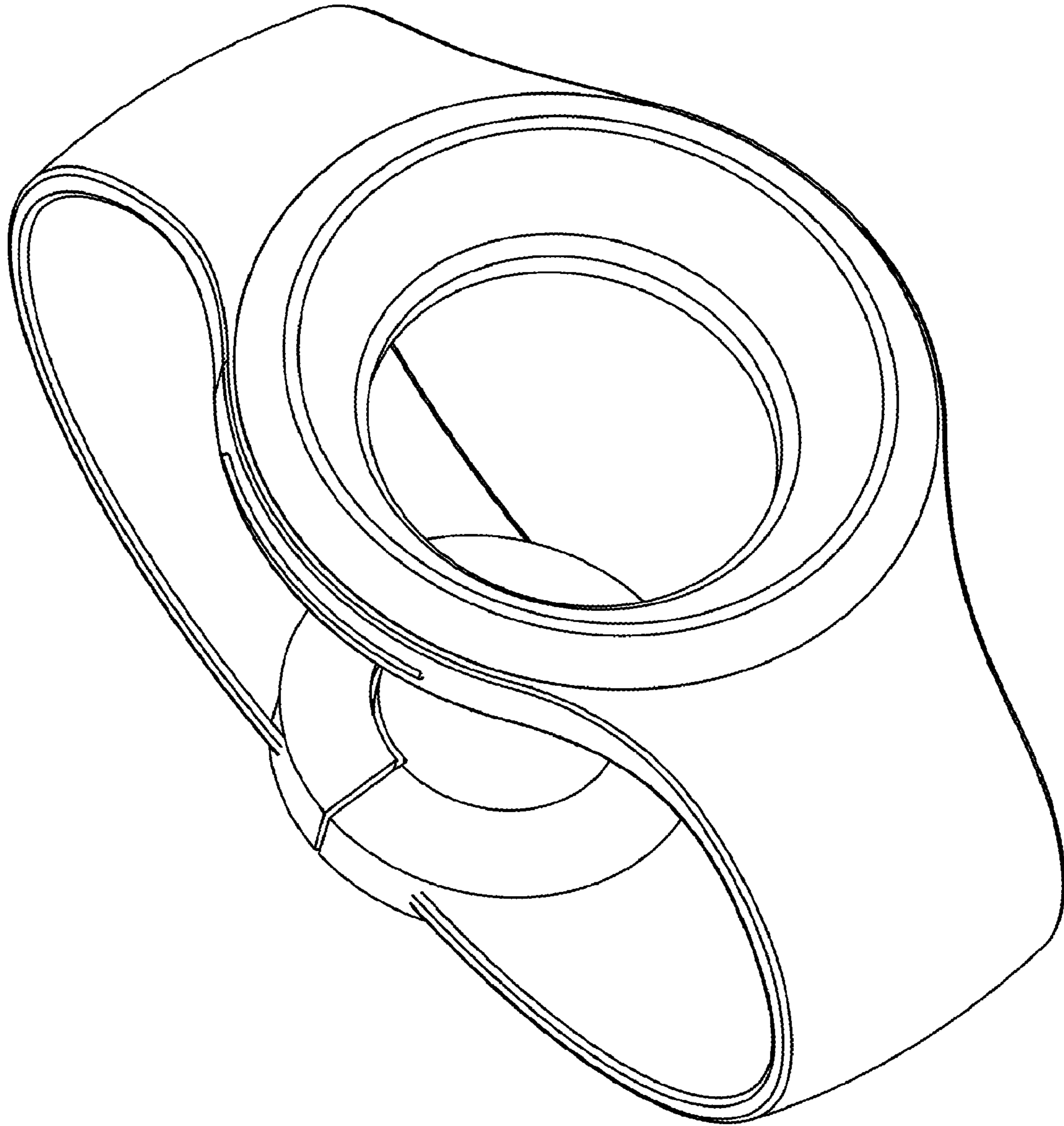


FIG. 2

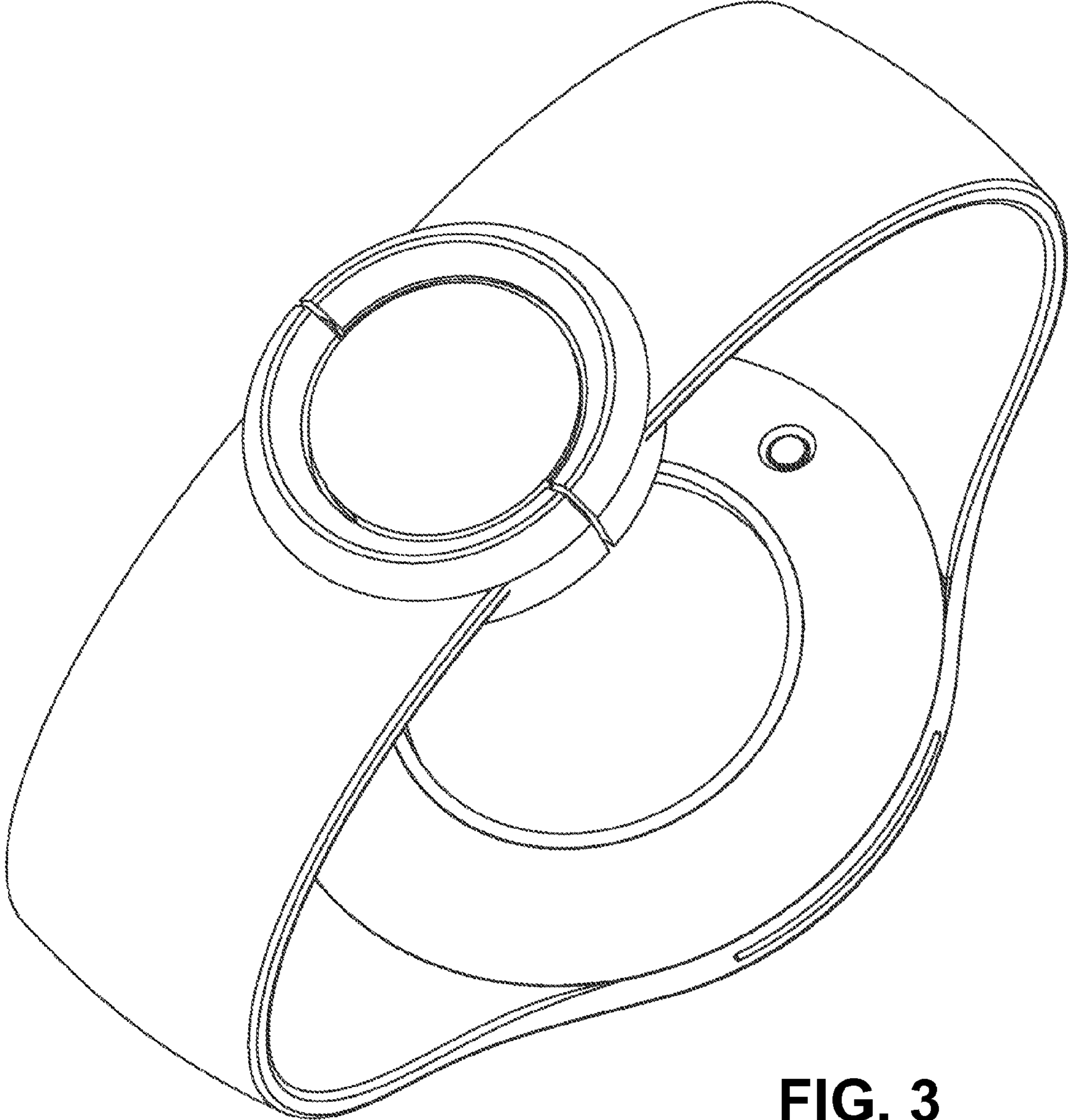


FIG. 3

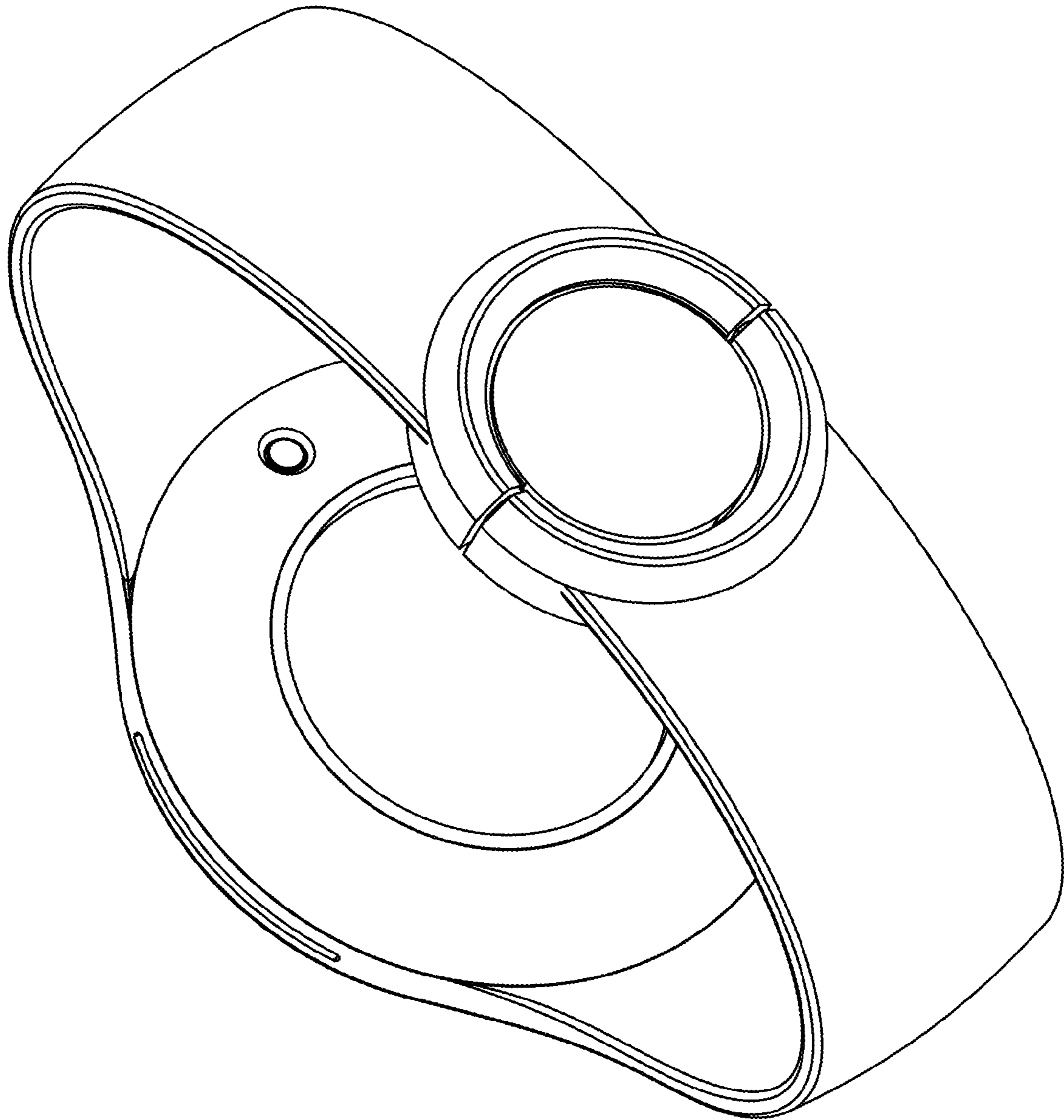


FIG. 4

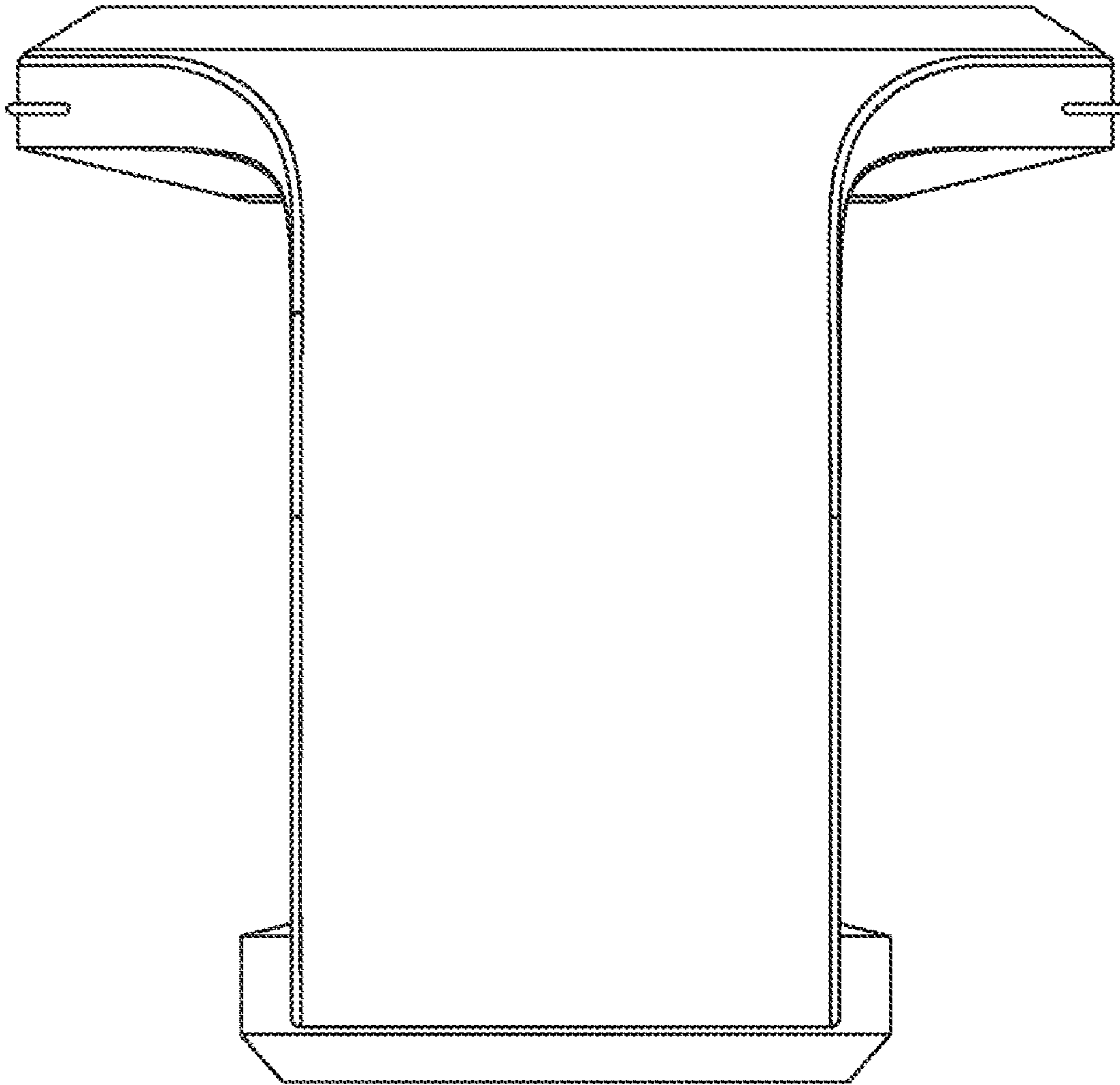


FIG. 5

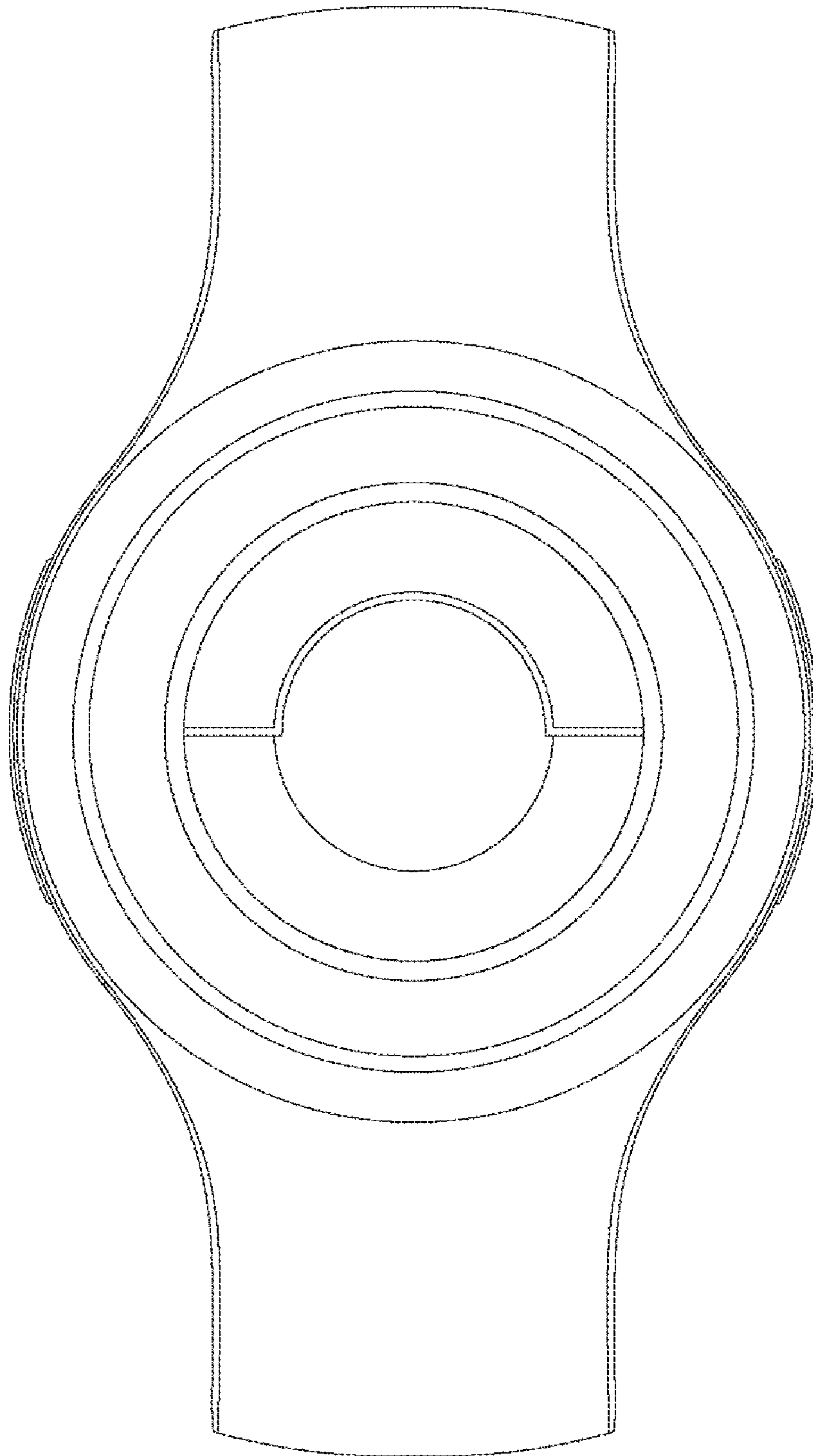


FIG. 6

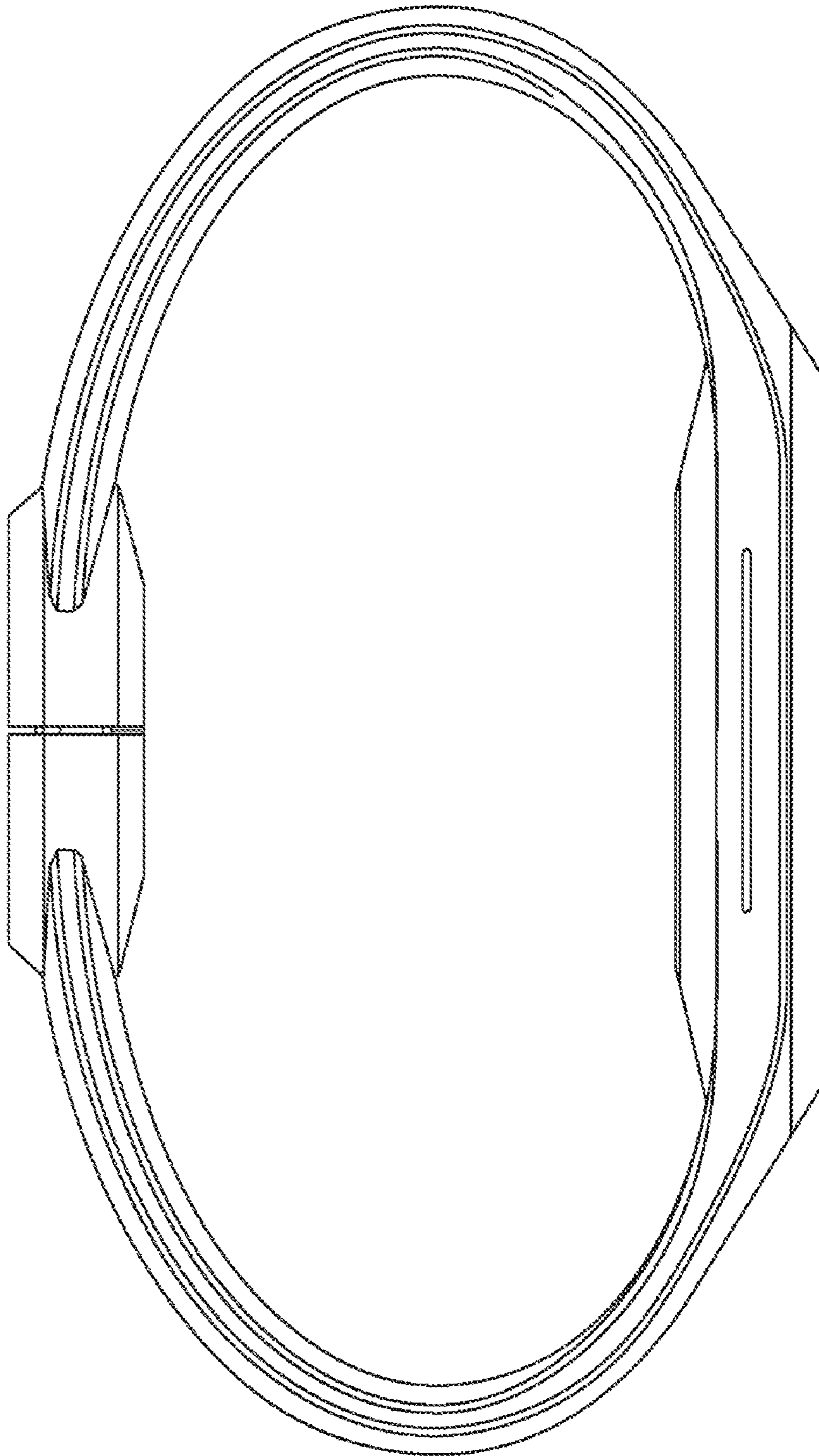


FIG. 7