



US00D566563S

(12) **United States Design Patent**
Trost

(10) **Patent No.:** **US D566,563 S**
(45) **Date of Patent:** **** Apr. 15, 2008**

(54) **SIDEWALL FOR A CONTAINER**

(76) Inventor: **Steven M. Trost**, 2823 W. 28th Ave.,
Stillwater, OK (US) 74074

(**) Term: **14 Years**

(21) Appl. No.: **29/276,756**

(22) Filed: **Feb. 3, 2007**

(51) **LOC (8) Cl.** **09-01**

(52) **U.S. Cl.** **D9/516; D9/538; D9/552;**
D9/556

(58) **Field of Classification Search** D9/682,
D9/686, 688, 690, 692, 516, 537-540, 549,
D9/553, 556-558, 559; D18/43; 215/381-385,
215/396, 398, 400

See application file for complete search history.

(56) **References Cited**

U.S. PATENT DOCUMENTS

D49,729 S *	10/1916	Graham	D9/538
D49,730 S *	10/1916	Graham	D9/538
D61,658 S *	11/1922	Graham	D9/538
D68,732 S *	11/1925	Root	D9/556
D74,117 S *	12/1927	McBride	D9/538
D99,627 S *	5/1936	Lorenzen	D9/556
3,558,001 A *	1/1971	Fritz et al.	220/614
D257,595 S *	12/1980	Bullock	D28/37
D367,068 S *	2/1996	Green	D15/90
D369,068 S *	4/1996	Husted	D9/556 X
D370,634 S *	6/1996	Mero et al.	D9/538
D441,658 S *	5/2001	Lichtman et al.	D9/538
D442,493 S *	5/2001	Bretz et al.	D9/538
D448,673 S *	10/2001	Bretz et al.	D9/538
D450,249 S *	11/2001	Beaver	D9/549
D456,270 S *	4/2002	Beaver	D9/549

D507,749 S *	7/2005	Bretz et al.	D9/538
D509,748 S *	9/2005	Carmichael et al.	D9/556
6,938,788 B2 *	9/2005	White	215/384
7,172,087 B1 *	2/2007	Axe et al.	215/382

* cited by examiner

Primary Examiner—Carol Rademaker

(57) **CLAIM**

The ornamental design for a sidewall for a container, as shown and described.

DESCRIPTION

FIG. 1 is a front elevational view of a sidewall for a container, the rear elevational view being identical except for the unclaimed threads;

FIG. 2 is a planar cross sectional view taken along section line 2—2 of FIG. 1.

FIG. 3 is a section view taken along section line 3—3 of FIG. 1.

FIG. 4 is a top, front perspective view thereof;

FIG. 5 is a bottom, front perspective view thereof;

FIG. 6 is a left side elevational view thereof;

FIG. 7 is a top plan view thereof;

FIG. 8 is a bottom plan view thereof;

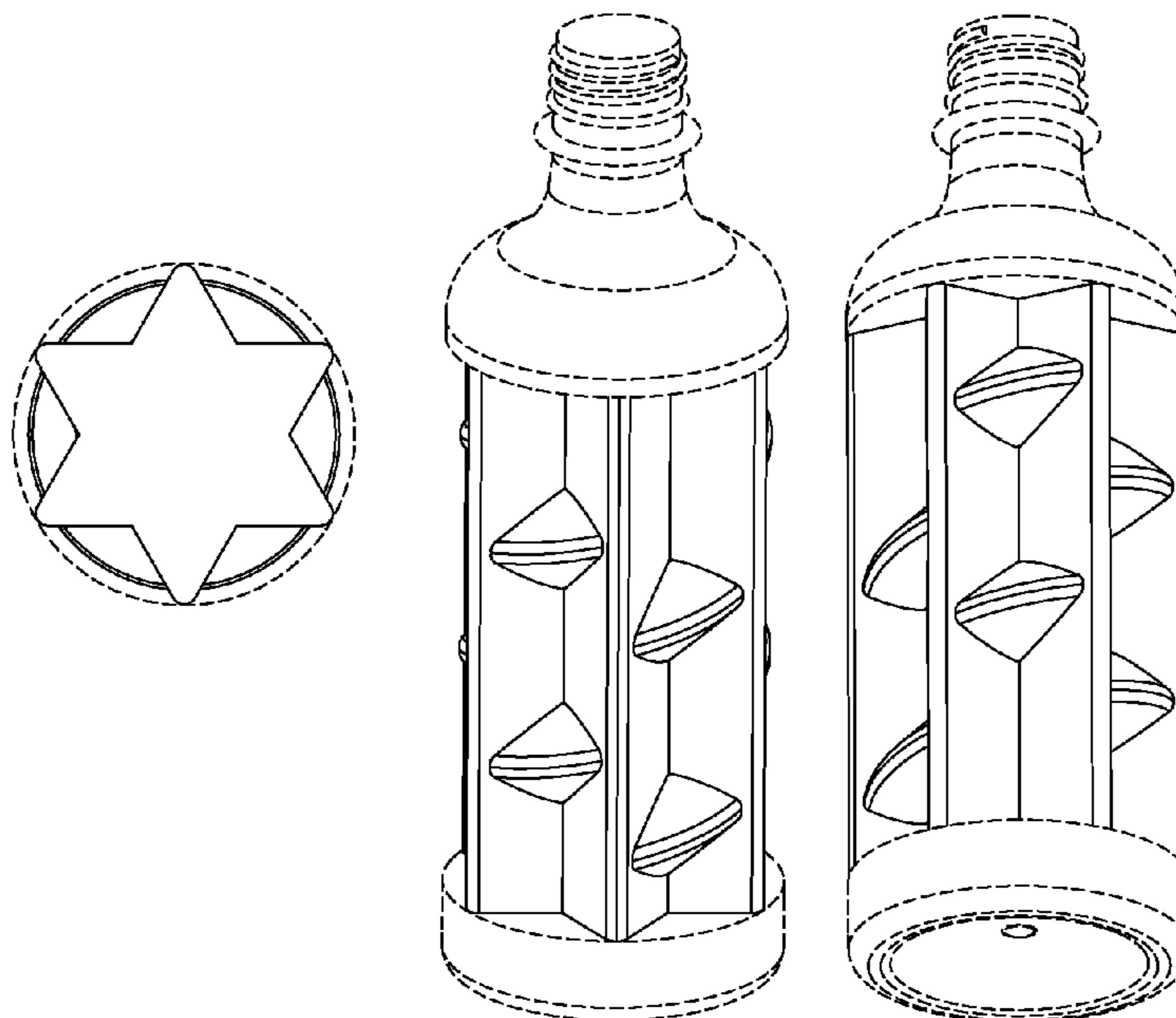
FIG. 9 is a planar cross sectional view taken along section line 9—9 of FIG. 6;

FIG. 10 is a top, left side perspective view thereof; and,

FIG. 11 is a bottom, left side perspective view thereof.

The broken lines in FIGS. 1-11 are for illustrative purposes only and form no part of the claimed design.

1 Claim, 2 Drawing Sheets



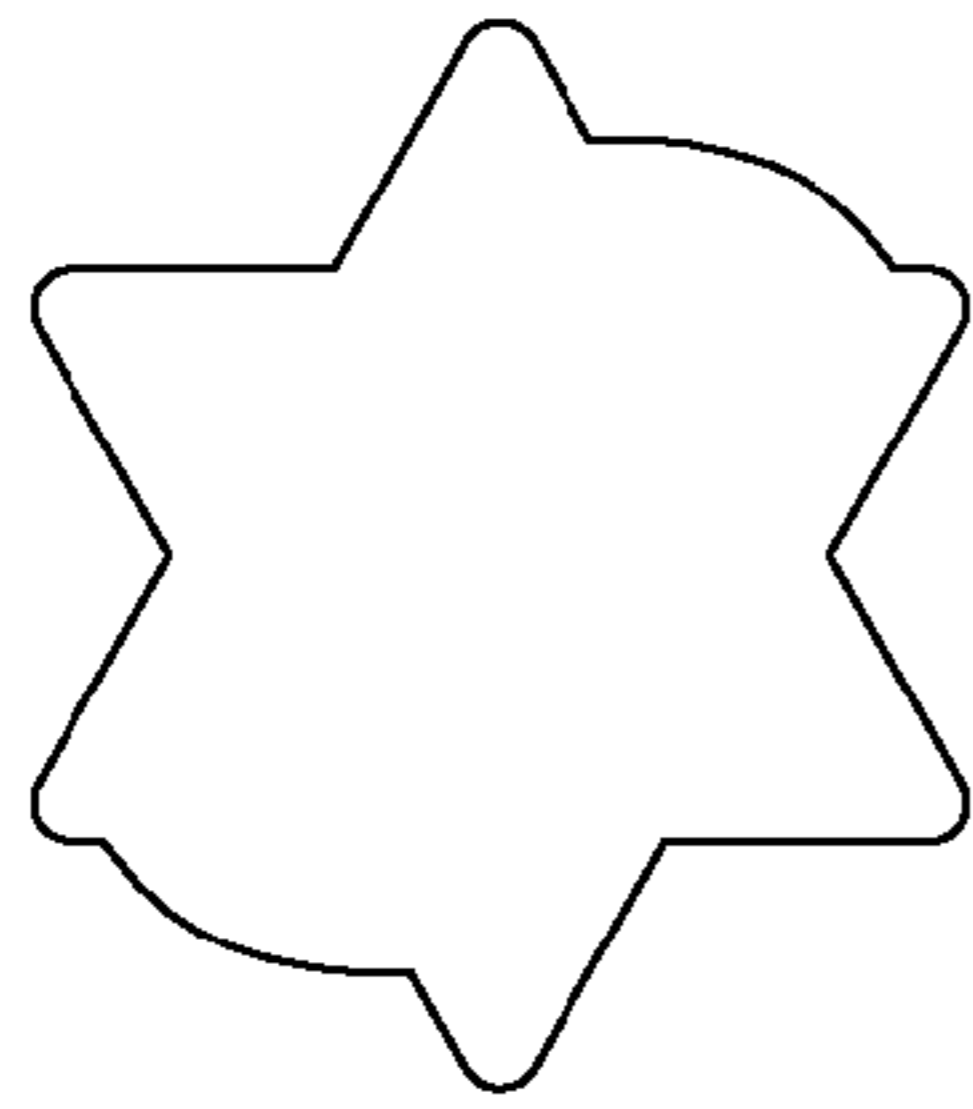


FIG. 2

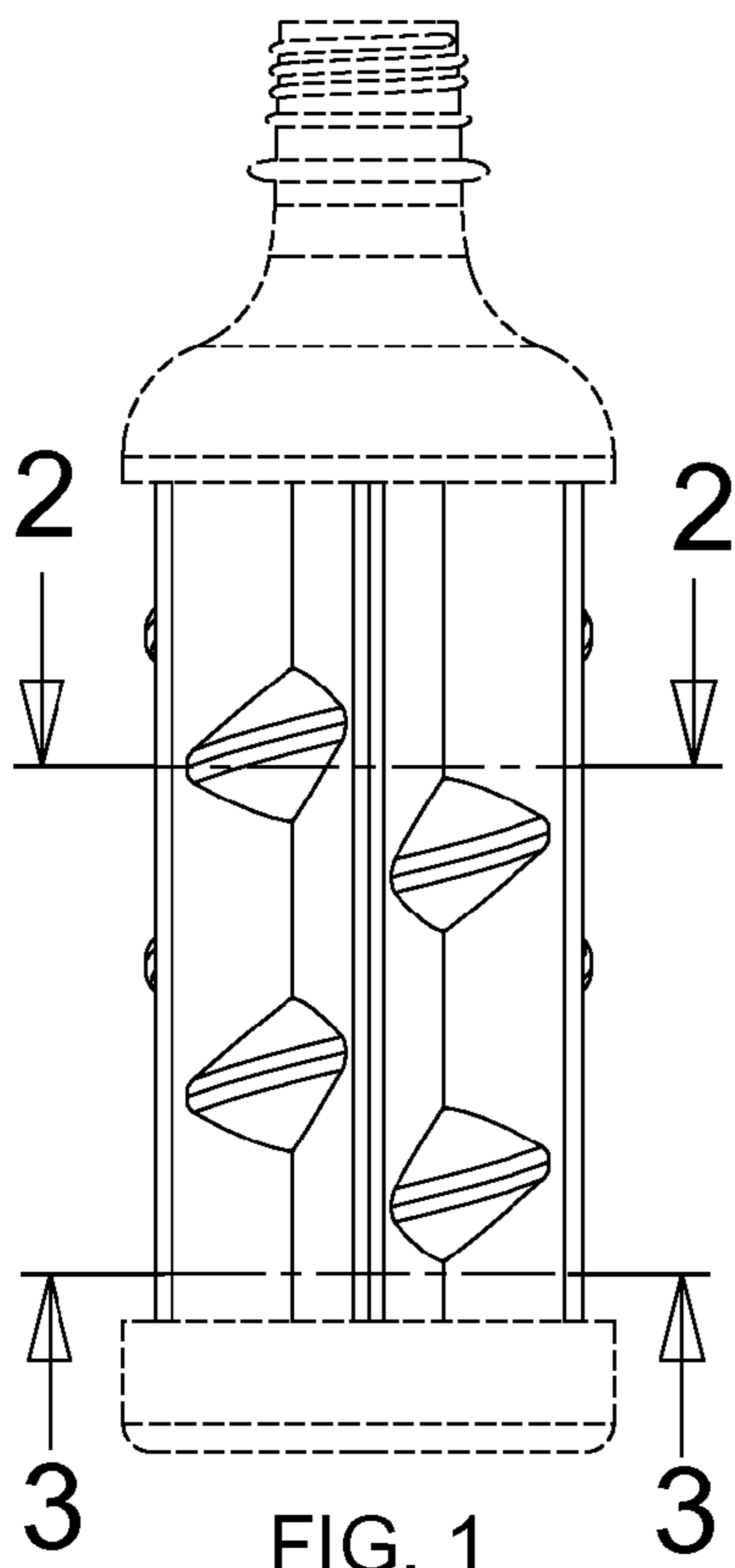


FIG. 1

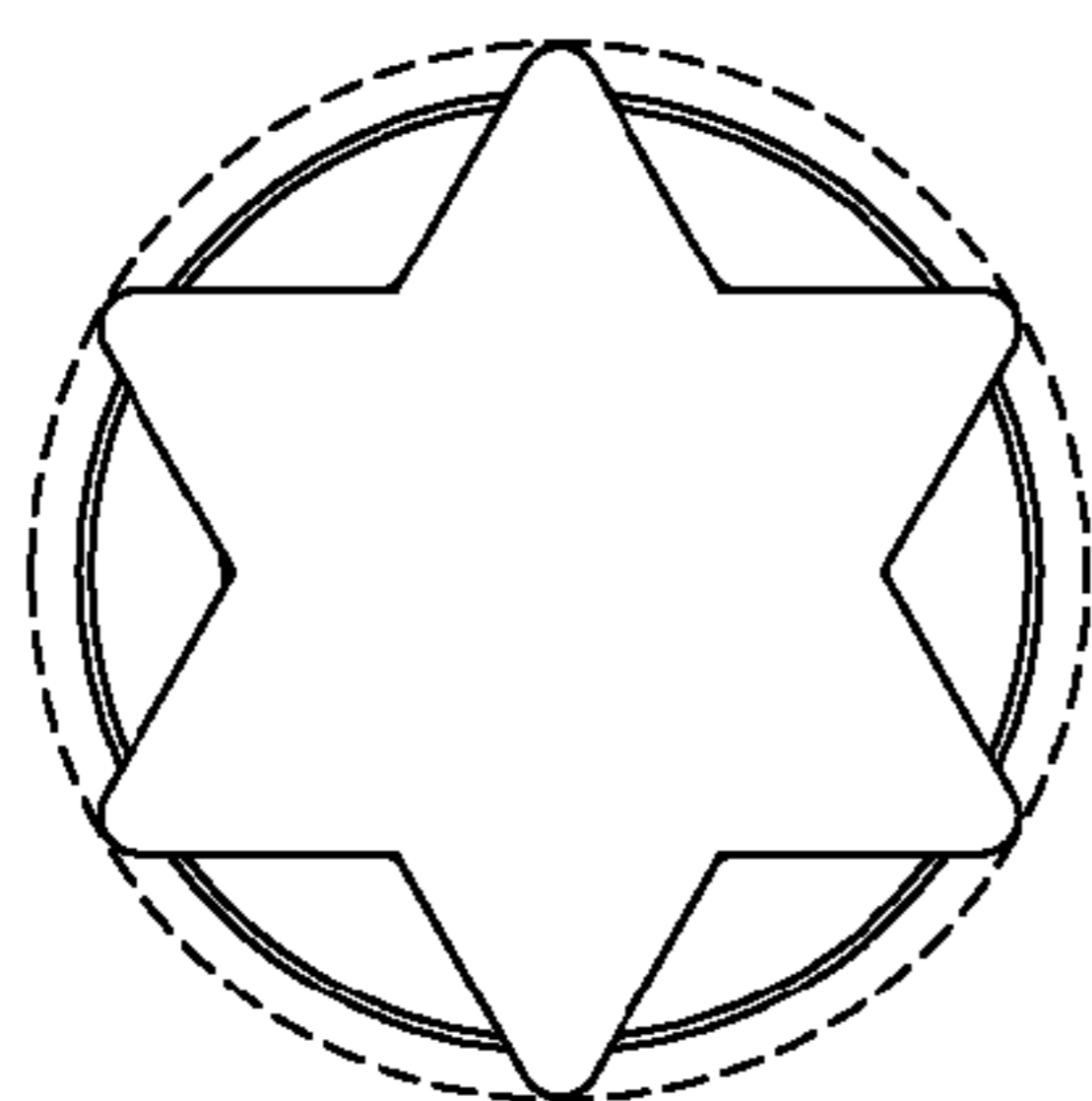


FIG. 3

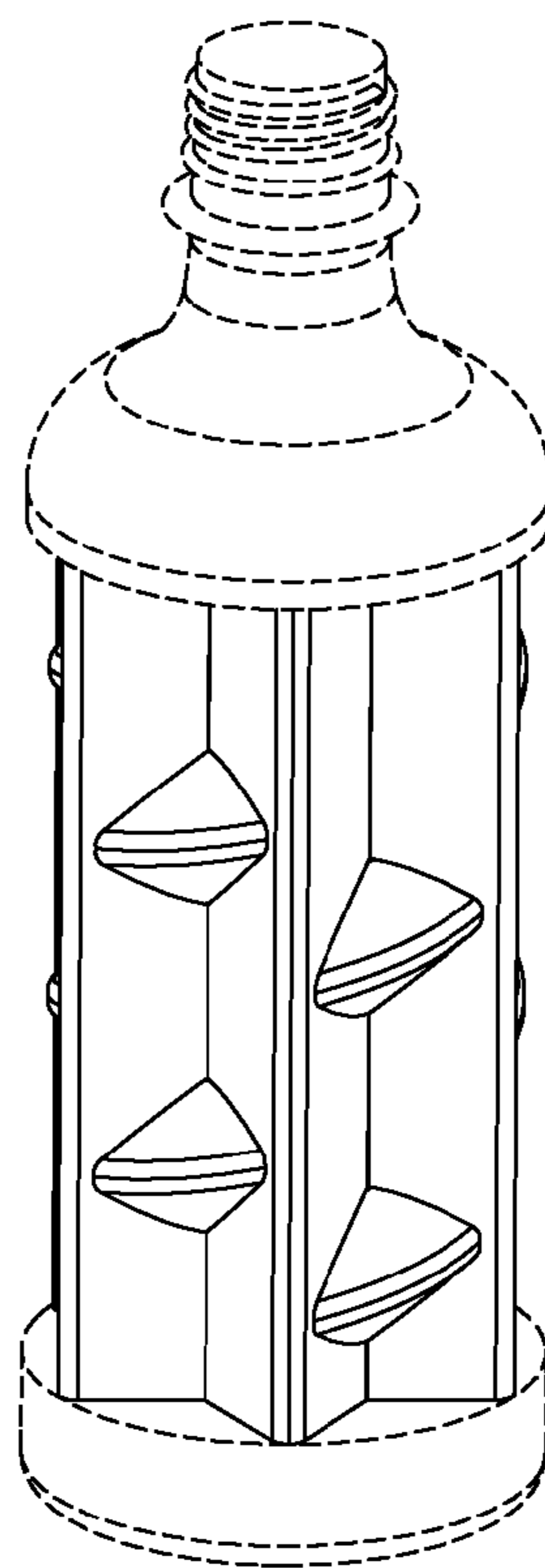


FIG. 4

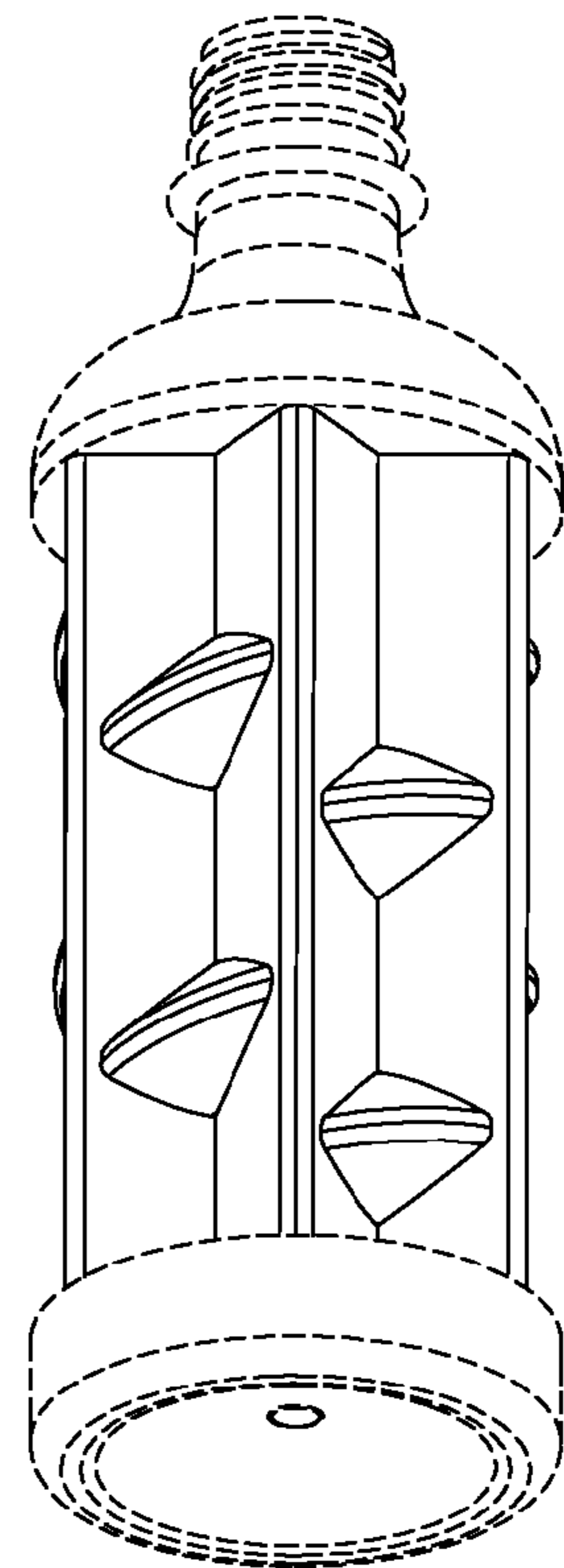


FIG. 5

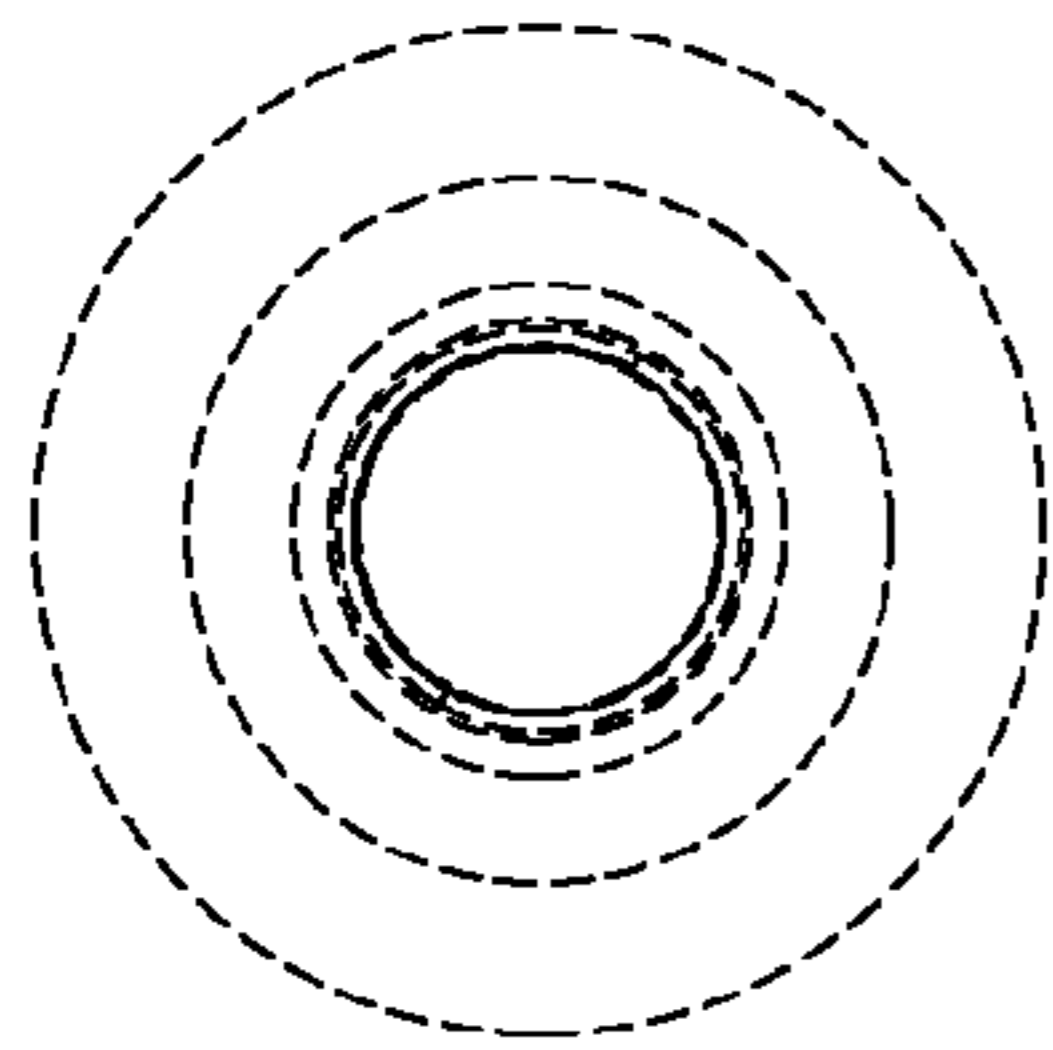


FIG. 7

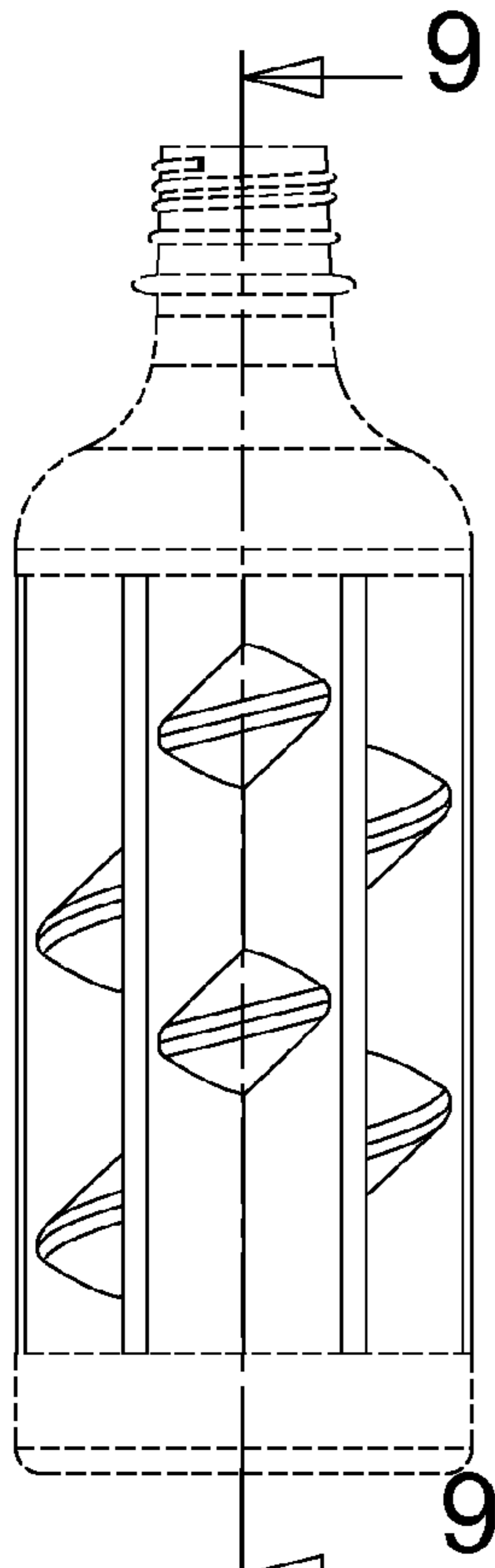


FIG. 6

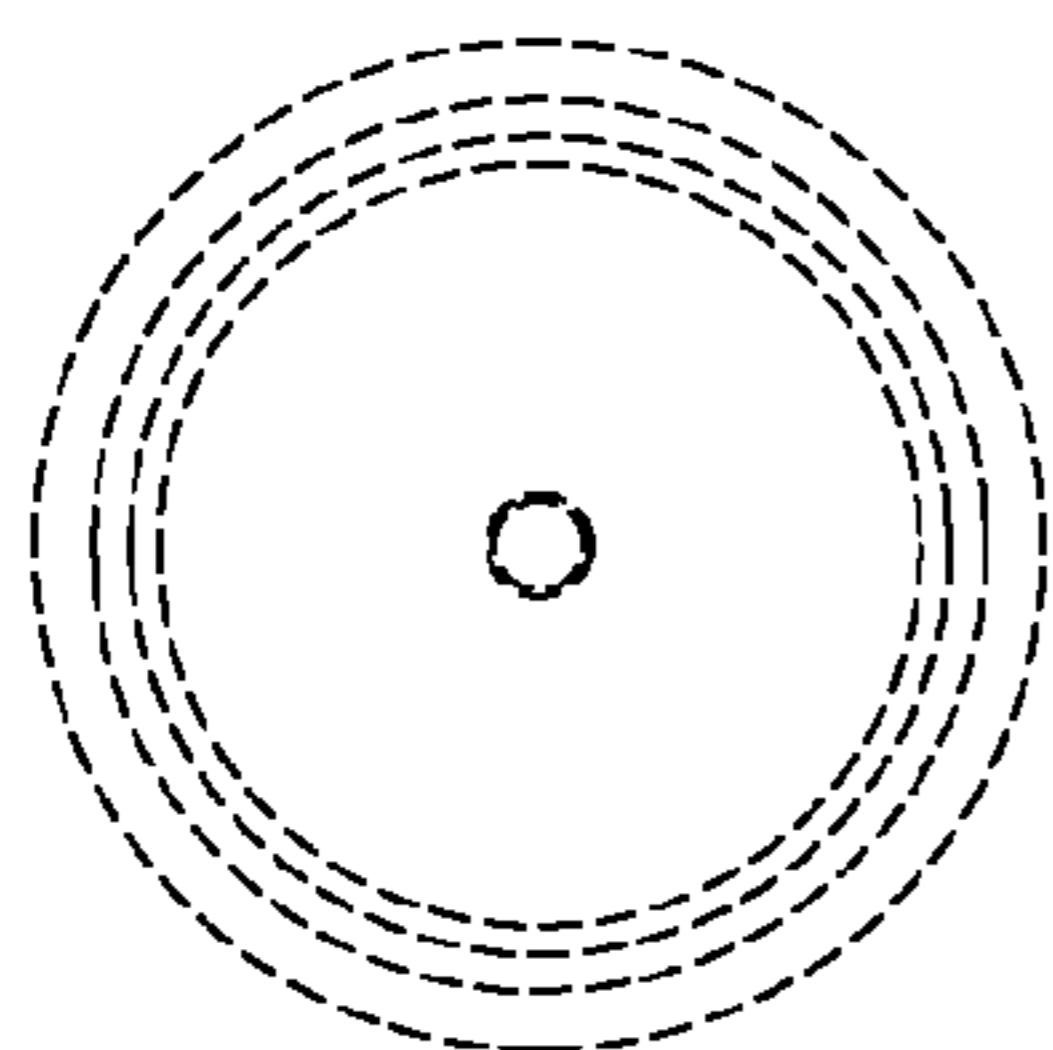


FIG. 8

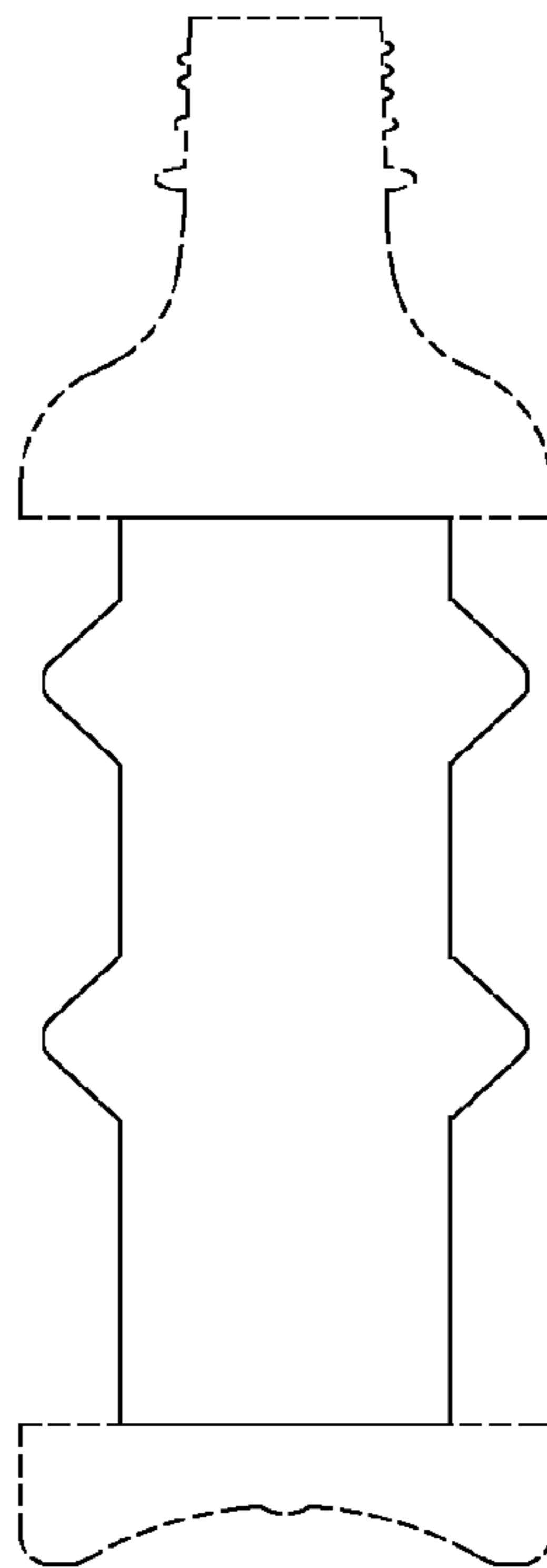


FIG. 9

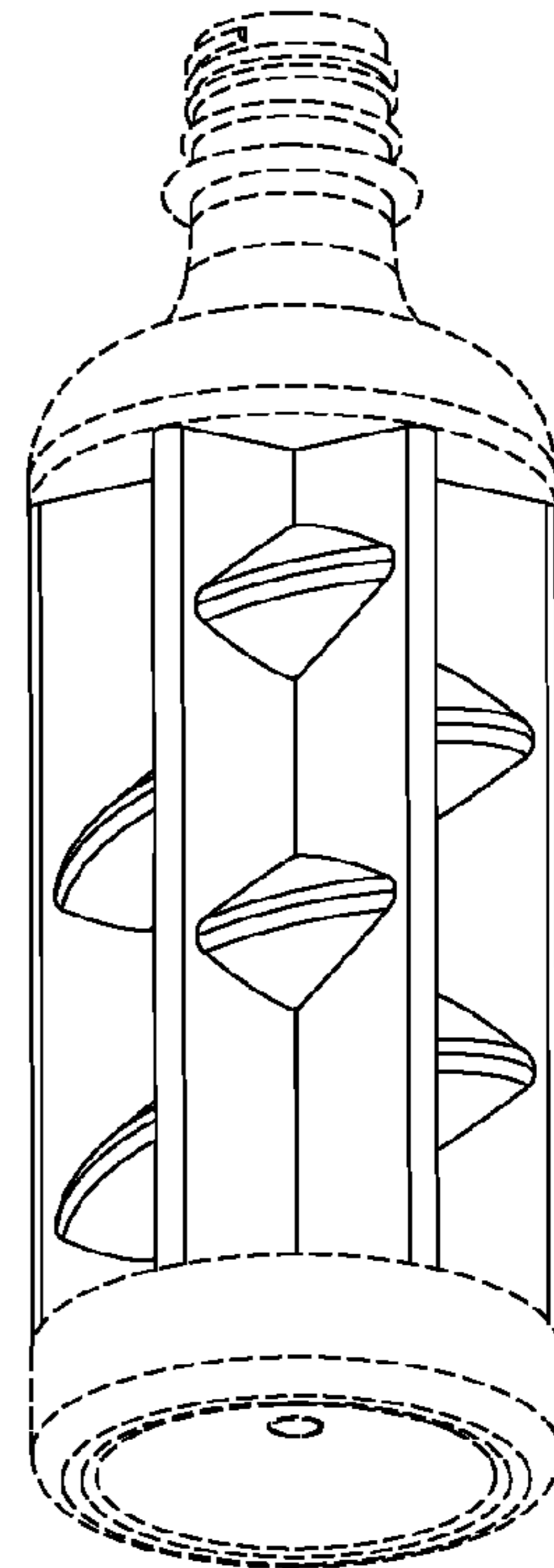


FIG. 11

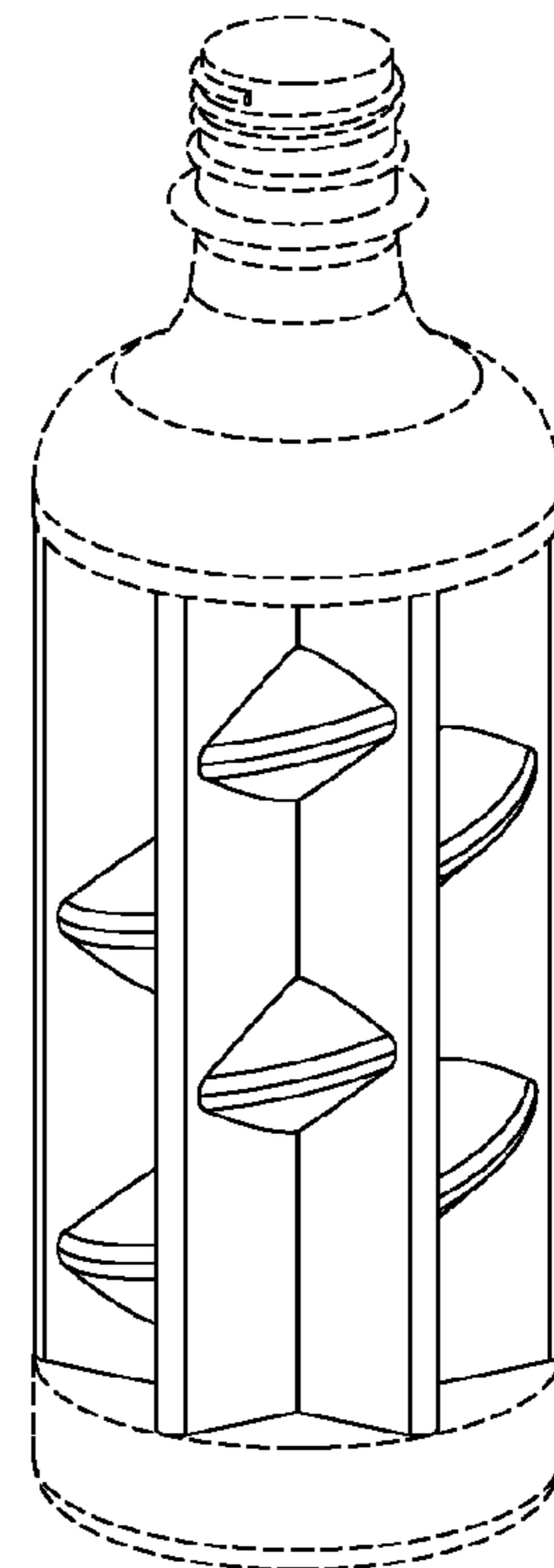


FIG. 10