



US00D566560S

(12) **United States Design Patent**  
**Trost**

(10) **Patent No.:** **US D566,560 S**  
(45) **Date of Patent:** **\*\* Apr. 15, 2008**

- (54) **SIDEWALL FOR A CONTAINER**
- (76) Inventor: **Steven M. Trost**, 2823 W. 28th Ave., Stillwater, OK (US) 74074
- (\*\*) Term: **14 Years**
- (21) Appl. No.: **29/271,773**
- (22) Filed: **Jan. 26, 2007**
- (51) **LOC (8) Cl.** ..... **09-01**
- (52) **U.S. Cl.** ..... **D9/516; D9/538; D9/552; D9/556**
- (58) **Field of Classification Search** ..... **D9/682, D9/686, 688, 690, 692, 516, 537-540, 549, D9/553, 556-558, 559; D18/43; 215/381-385, 215/396, 398, 400**  
See application file for complete search history.

- D420,284 S 2/2000 Sagel
- D424,948 S 5/2000 Ullmo
- D441,658 S 5/2001 Lichtman et al.
- D442,493 S 5/2001 Bretz et al.
- D447,422 S 9/2001 Peek
- D448,673 S \* 10/2001 Bretz et al. .... D9/538
- D450,249 S 11/2001 Beaver
- D450,590 S 11/2001 Van Dyk et al.
- D456,270 S 4/2002 Beaver
- D458,962 S \* 6/2002 Wang et al. .... D18/43
- D480,314 S 10/2003 Johnson et al.
- D483,677 S 12/2003 Zhou
- D489,268 S 5/2004 Wang
- D493,724 S 8/2004 Higuchi
- D507,749 S \* 7/2005 Bretz et al. .... D9/538
- D509,143 S 9/2005 Slat et al.
- D509,747 S 9/2005 Carlson et al.

(Continued)

*Primary Examiner*—Carol Rademaker

(56) **References Cited**  
U.S. PATENT DOCUMENTS

- D49,729 S \* 10/1916 Graham ..... D9/538
- D49,730 S \* 10/1916 Graham ..... D9/538
- D61,658 S \* 11/1922 Graham ..... D9/538
- D62,888 S \* 8/1923 Davis, Jr. et al. .... D9/556 X
- D68,732 S \* 11/1925 Root ..... D9/556
- D74,117 S \* 12/1927 McBride ..... D9/538
- D99,627 S \* 5/1936 Lorenzen ..... D9/556
- 3,558,595 A \* 1/1971 Fritz et al. .... 220/614
- D257,595 S \* 12/1980 Bullock ..... D28/37
- D318,800 S \* 8/1991 Serkes et al. .... D9/556
- D340,771 S 10/1993 Levy et al.
- D348,006 S 6/1994 Feen
- D355,129 S 2/1995 Gruodis
- D367,068 S \* 2/1996 Green ..... D15/90
- D369,068 S \* 4/1996 Husted ..... D9/556 X
- D370,634 S 6/1996 Mero et al.
- D376,035 S 11/1996 Boucheron
- D381,272 S 7/1997 Coons
- D385,798 S 11/1997 Tanaka
- D389,068 S 1/1998 Hooker
- 5,704,504 A 1/1998 Bueno
- 5,713,512 A 2/1998 Barrett
- D403,244 S 12/1998 Van Dyk et al.
- D414,112 S 9/1999 Waggaman et al.

(57) **CLAIM**

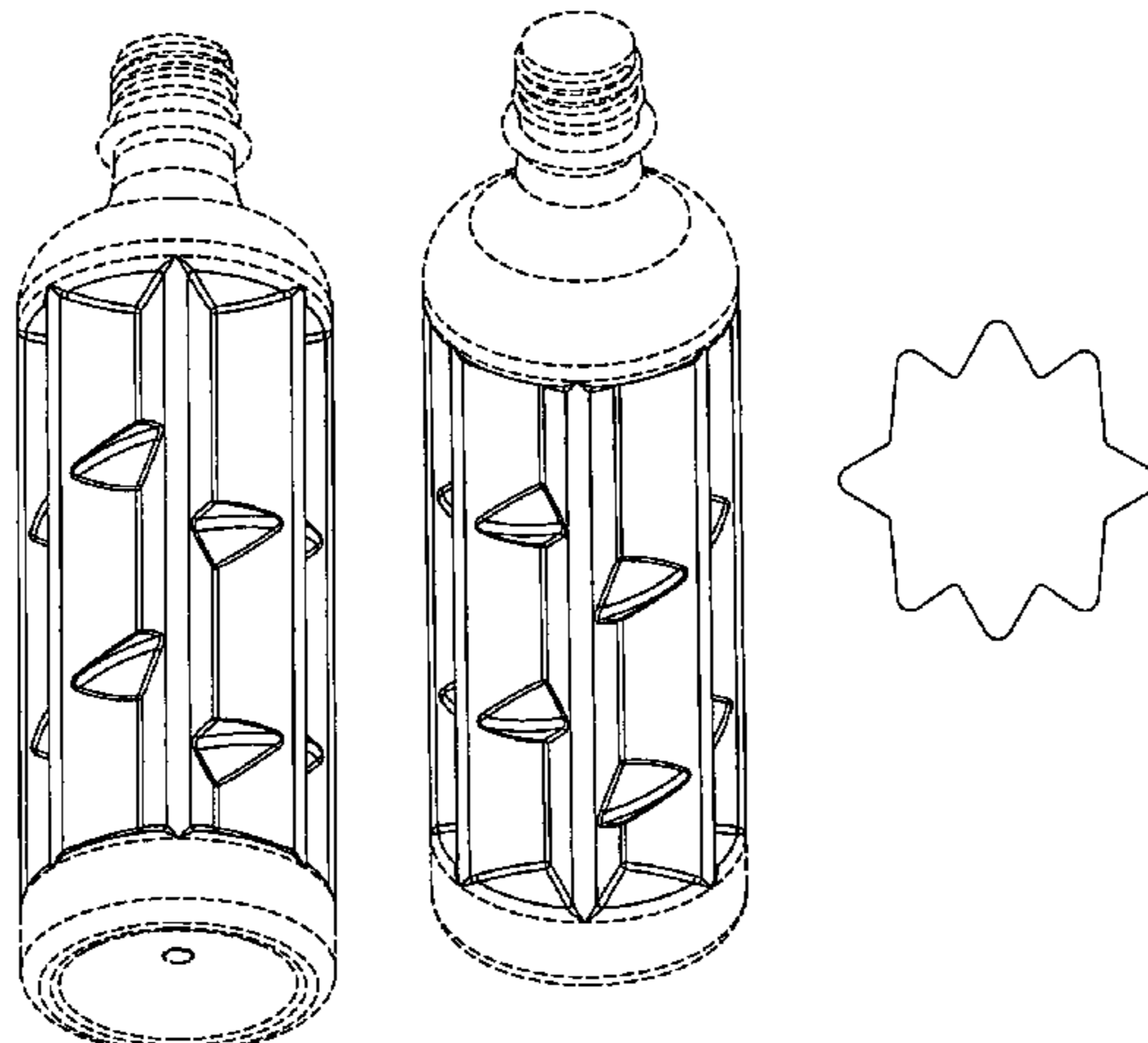
The ornamental design for a sidewall for a container, shown and described.

**DESCRIPTION**

FIG. 1 is a top plan view of the sidewall for a container;  
 FIG. 2 is a front elevational view thereof, the rear elevational view being identical except for the unclaimed threads.  
 FIG. 3 is a bottom plan view thereof;  
 FIG. 4 is a bottom front perspective view thereof;  
 FIG. 5 is a top front perspective view thereof;  
 FIG. 6 is a left side elevational view thereof; and  
 FIG. 7 is a planar cross sectional view taken along section line 7—7 of FIG. 6; and,  
 FIG. 8 is a planar cross sectional view taken along section line 8—8 of FIG. 6.

The broken lines in FIGS. 1-8 are for illustrative purposes only and form no part of the claimed design.

**1 Claim, 2 Drawing Sheets**



# US D566,560 S

Page 2

---

U.S. PATENT DOCUMENTS				6,938,788 B2 *	9/2005	White	.....	215/384
D509,748 S	*	9/2005	Carmichael et al. .... D9/556	7,172,087 B1 *	2/2007	Axe et al.	.....	215/382
D510,027 S		9/2005	Zboch et al.	* cited by examiner				

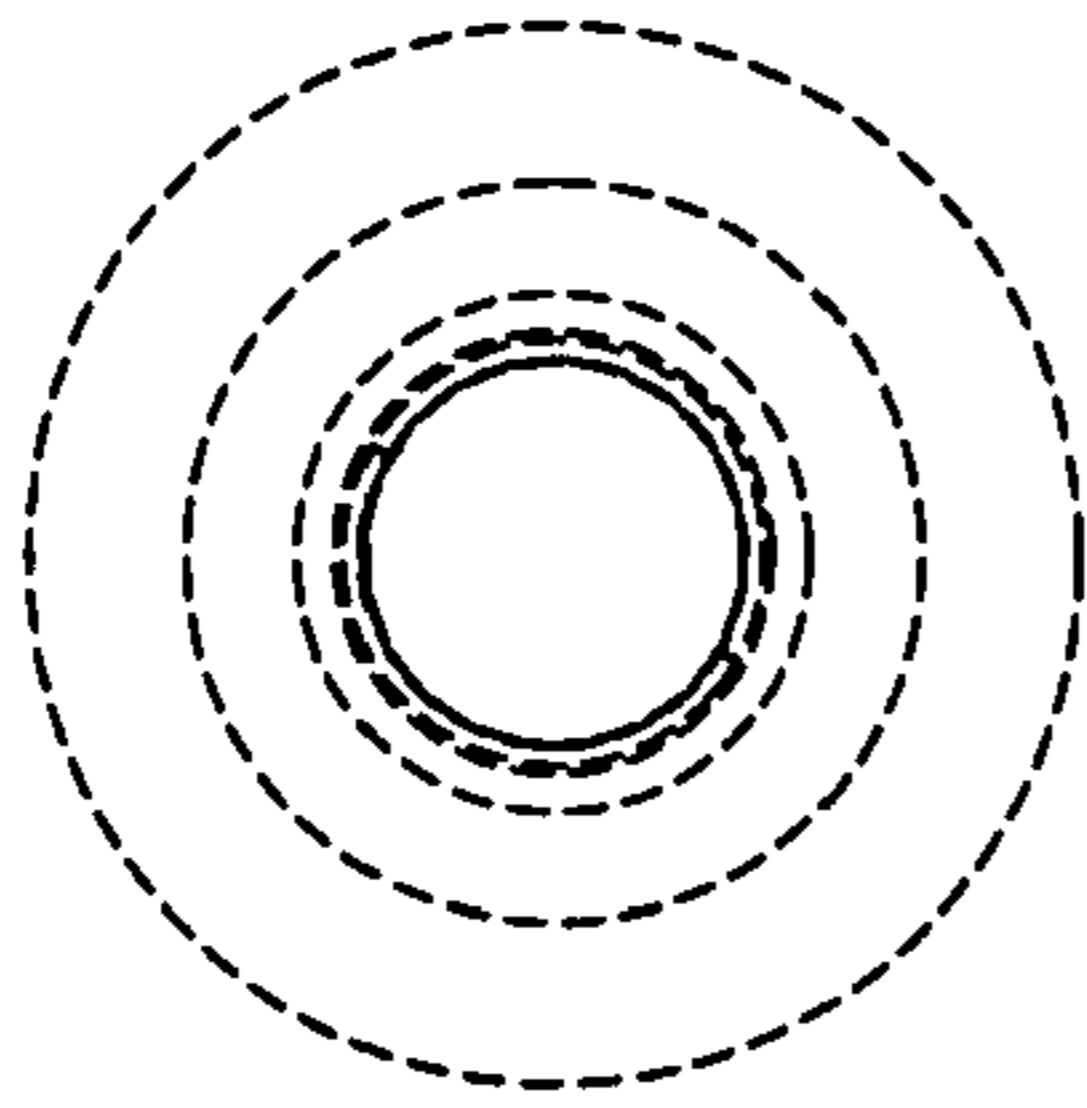


FIG. 1

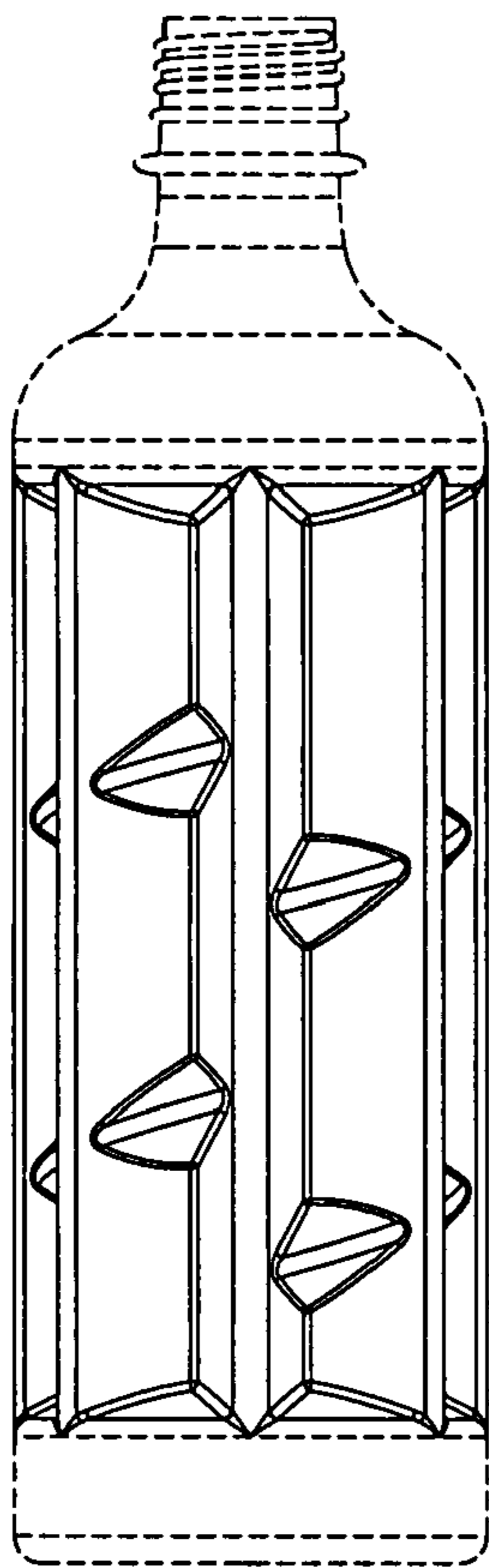


FIG. 2

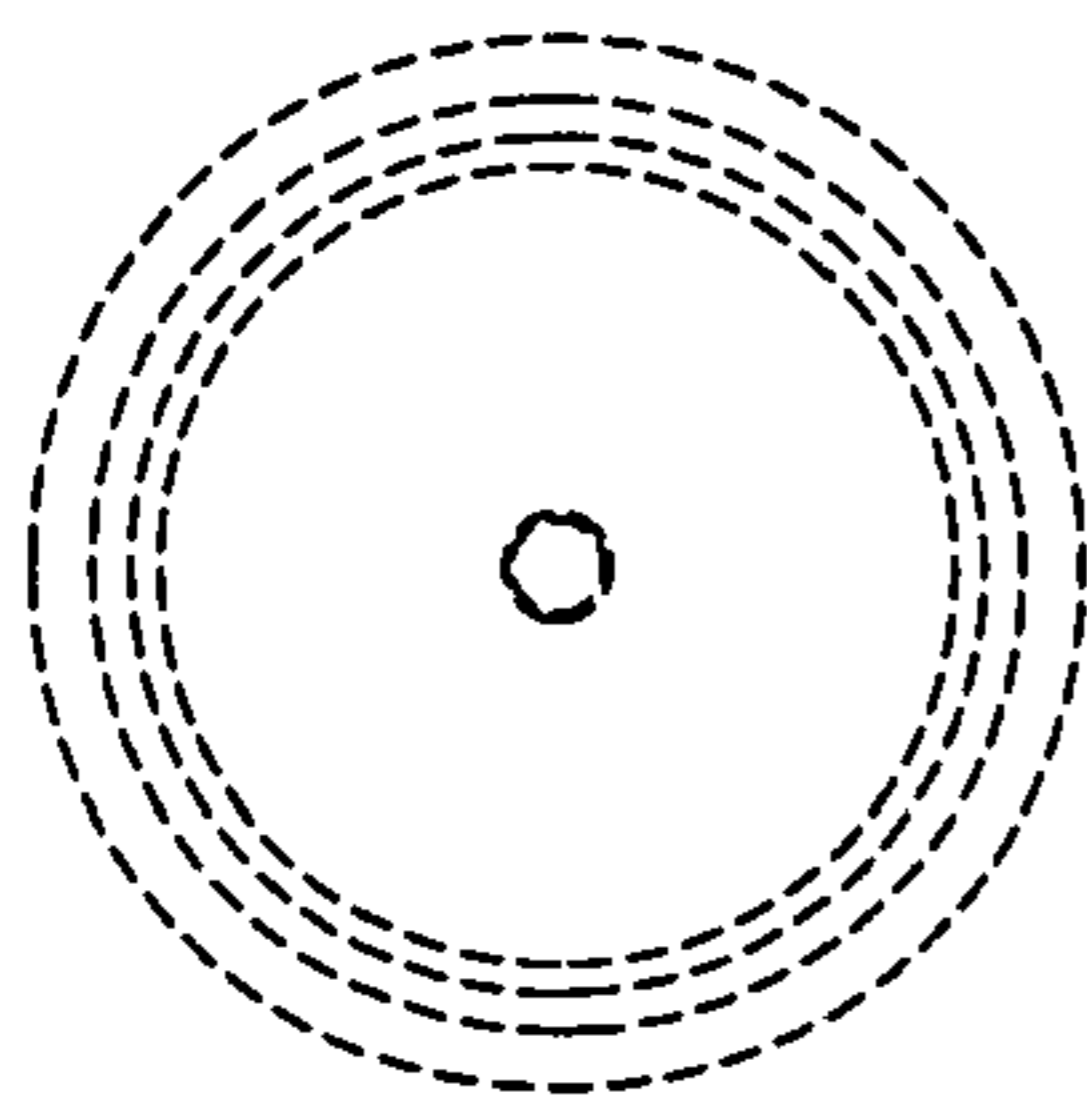


FIG. 3

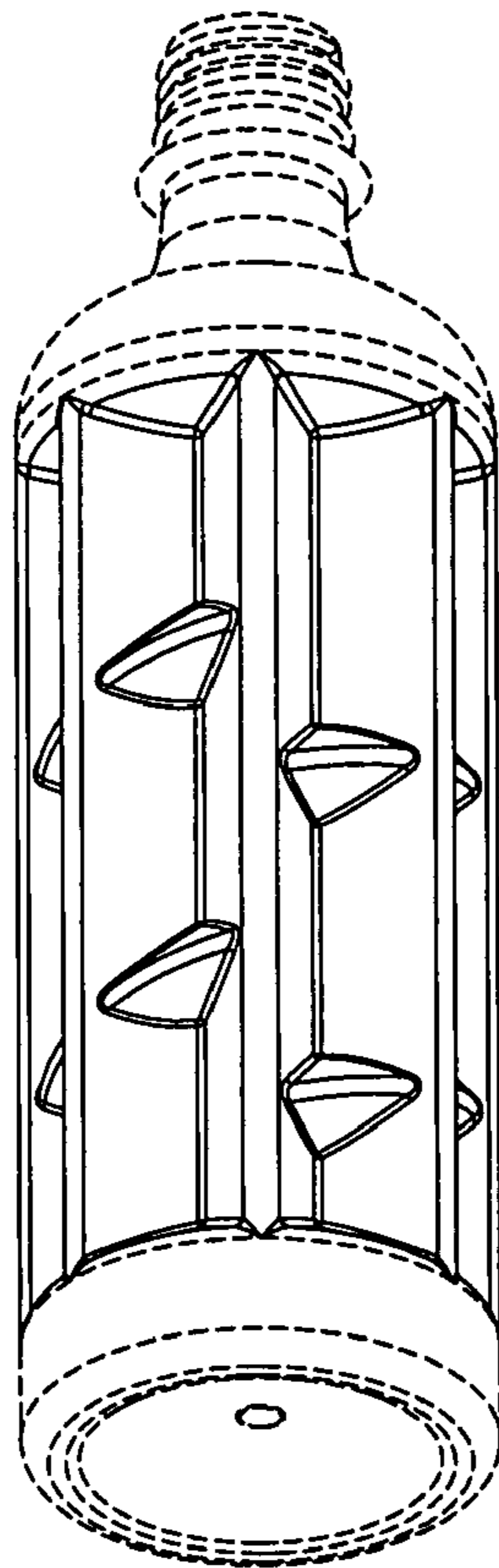


FIG. 4

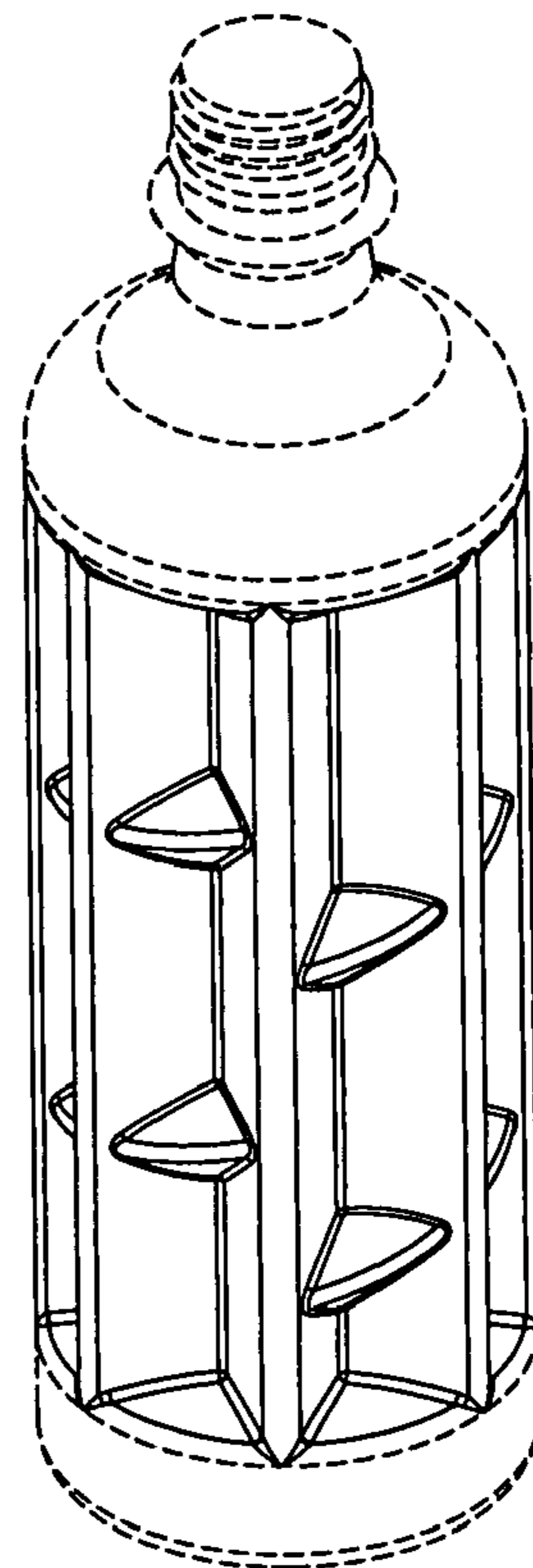


FIG. 5

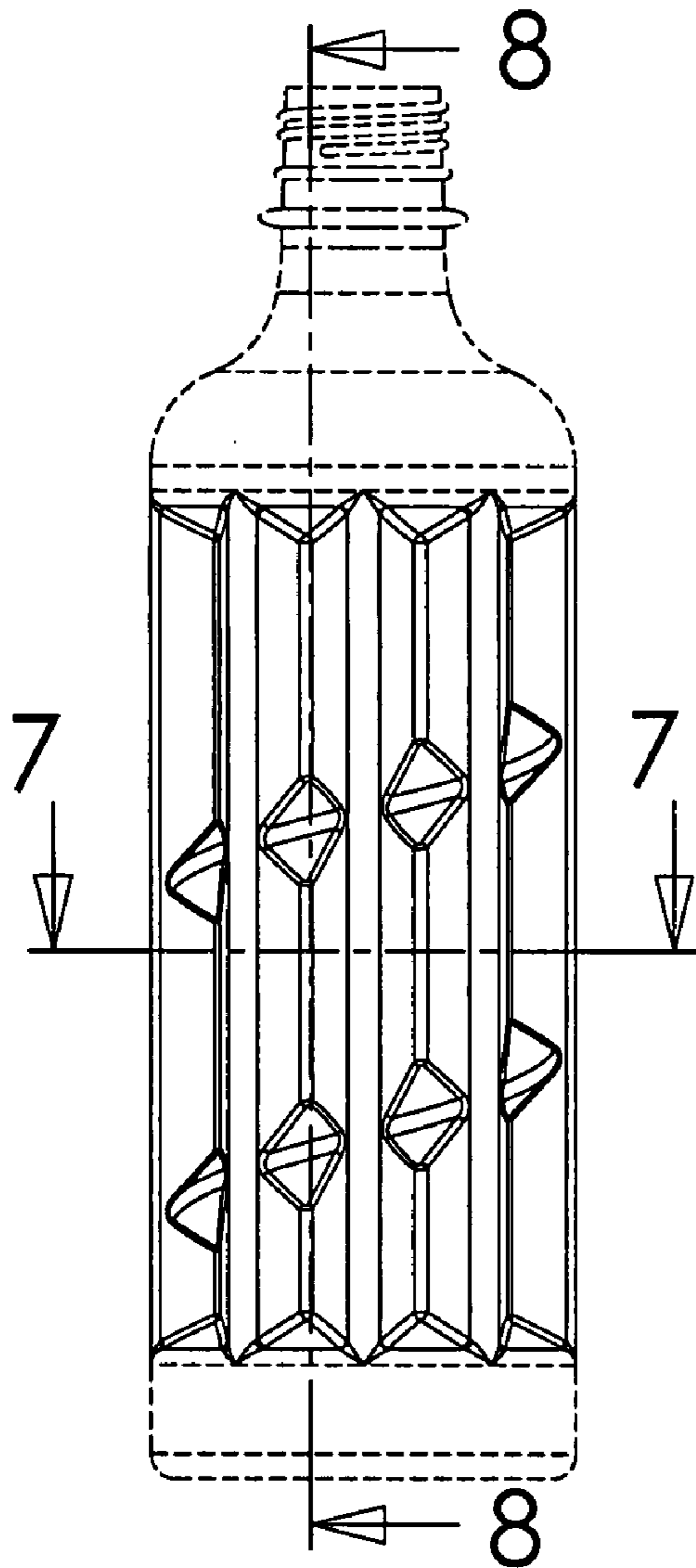


FIG. 6

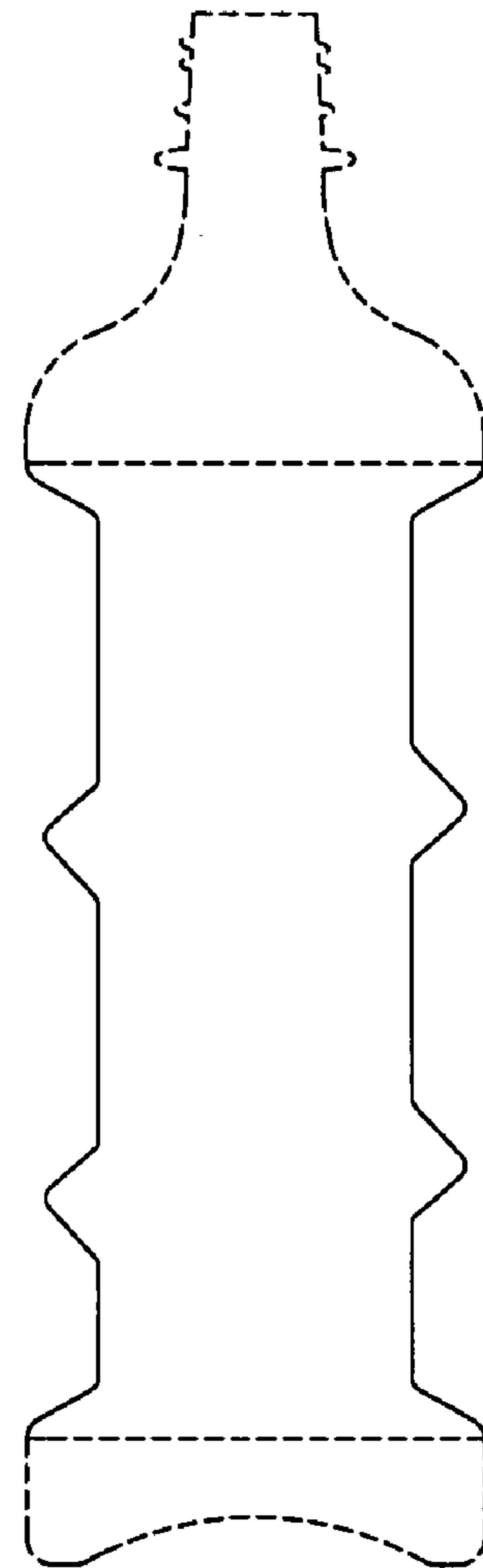


FIG. 8

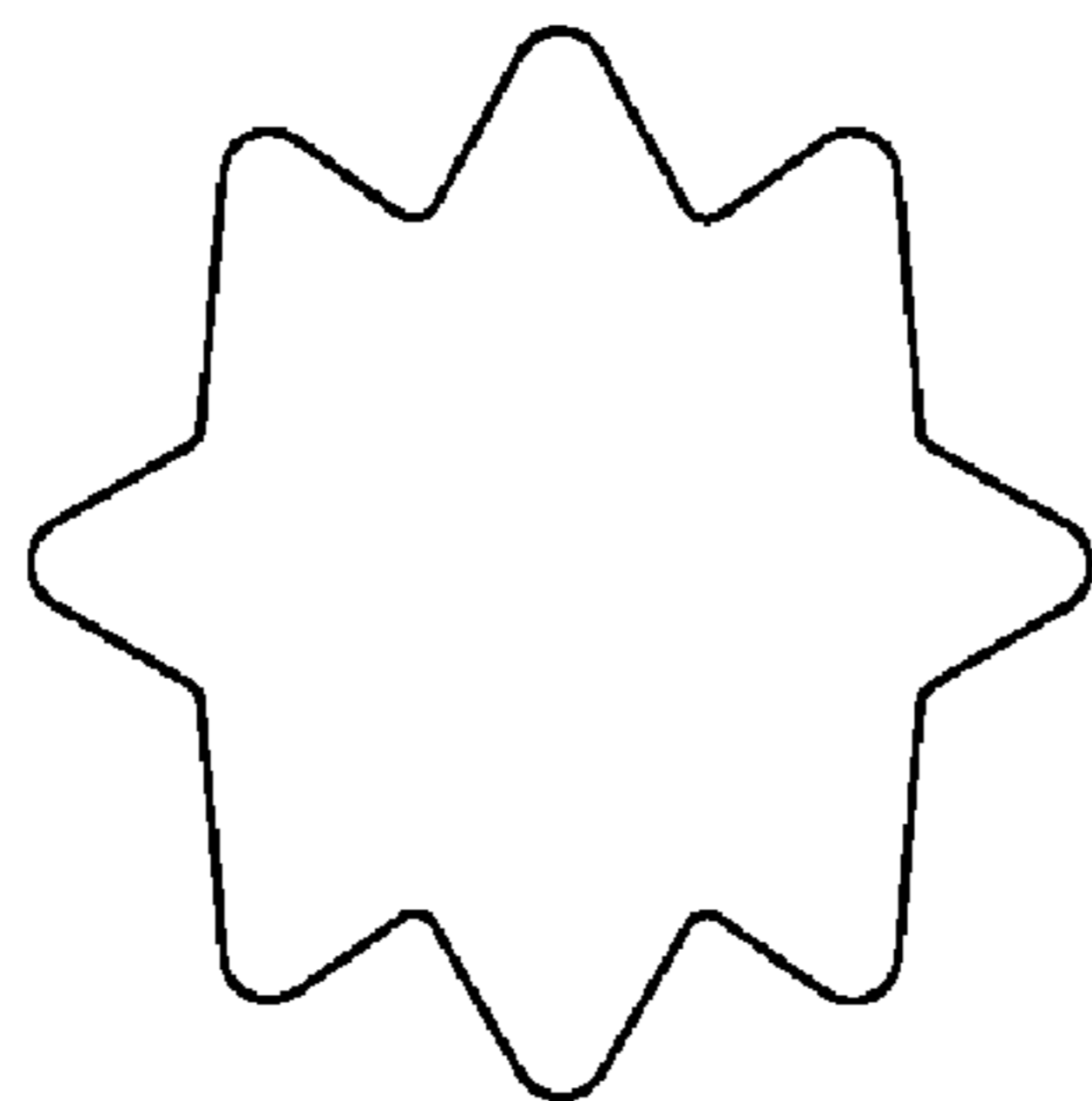


FIG. 7

UNITED STATES PATENT AND TRADEMARK OFFICE  
**CERTIFICATE OF CORRECTION**

PATENT NO. : Des. 566,560 S  
APPLICATION NO. : 29/271773  
DATED : April 15, 2008  
INVENTOR(S) : Steven M. Trost

Page 1 of 1

It is certified that error appears in the above-identified patent and that said Letters Patent is hereby corrected as shown below:

Title page Item [56], References Cited, delete "3,558,595" and insert --3,558,001--.

Signed and Sealed this

Fifth Day of August, 2008

A handwritten signature in black ink that reads "Jon W. Dudas". The signature is written in a cursive style with a large, looped initial "J".

JON W. DUDAS  
*Director of the United States Patent and Trademark Office*