



US00D566555S

(12) **United States Design Patent**
Berman

(10) **Patent No.:** **US D566,555 S**

(45) **Date of Patent:** **** Apr. 15, 2008**

(54) **WIDE POUCH CAP**

(76) **Inventor:** **Ronald H. Berman**, 203 Argonne Ave.,
Long Beach, CA (US) 90803

(**) **Term:** **14 Years**

(21) **Appl. No.:** **29/283,409**

(22) **Filed:** **Aug. 13, 2007**

(51) **LOC (8) Cl.** **09-07**

(52) **U.S. Cl.** **D9/453**

(58) **Field of Classification Search** D9/709,
D9/708, 503, 455, 453, 445, 439; D23/252,
D23/250; 222/567, 212; 215/223, 211, 208,
215/201, 200

See application file for complete search history.

(56) **References Cited**

U.S. PATENT DOCUMENTS

D217,955 S * 7/1970 Howard D9/453
D553,998 S * 10/2007 Berman D9/709

* cited by examiner

Primary Examiner—Gary D. Watson
Assistant Examiner—Susan Bennett Hattan

(74) *Attorney, Agent, or Firm*—Fulwider Patton LLP

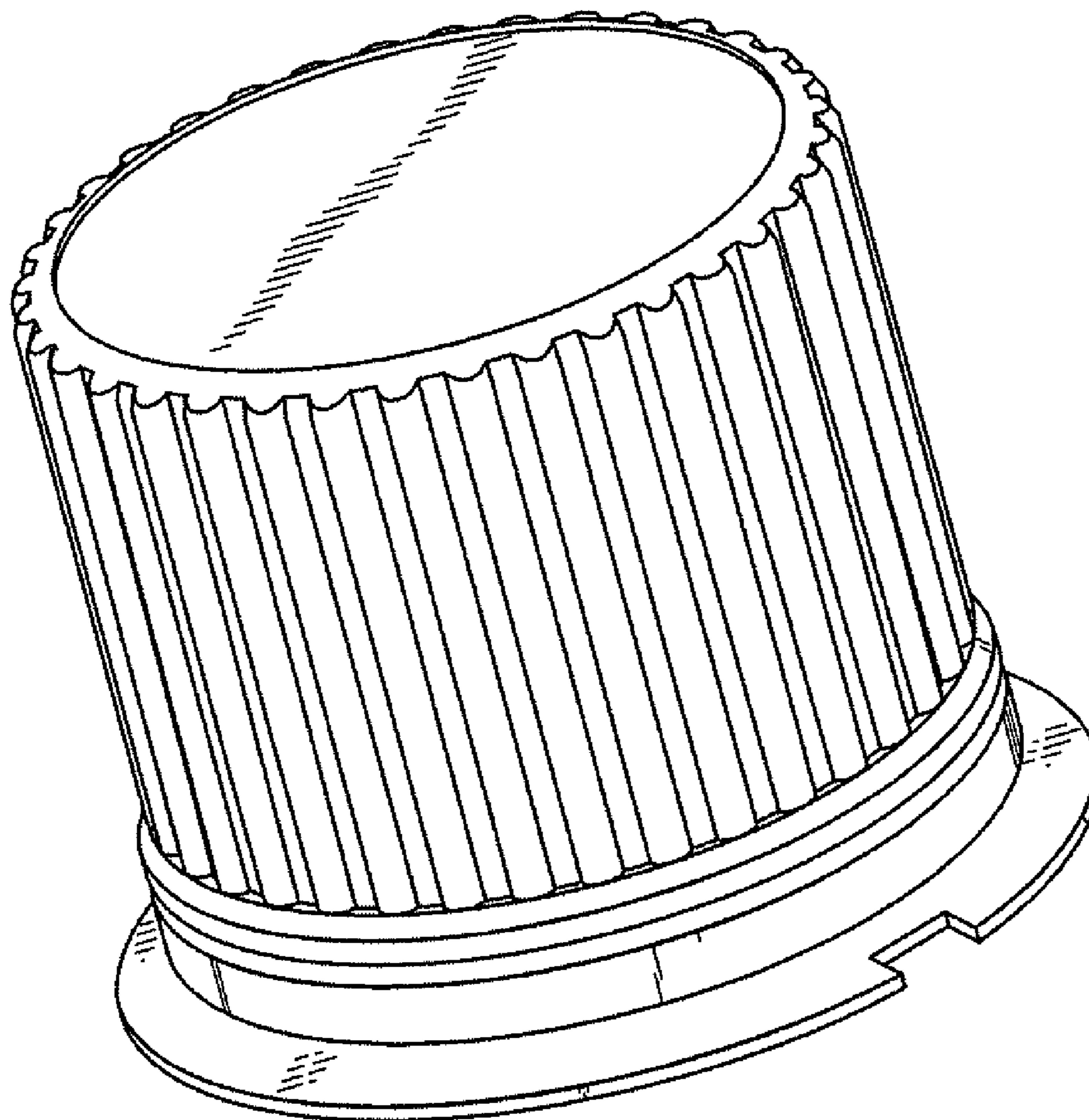
(57) **CLAIM**

The ornamental design for a wide pouch cap, as shown and described.

DESCRIPTION

FIG. 1 is a perspective view of the wide pouch cap;
FIG. 2 is a right side view of the wide pouch cap;
FIG. 3 is a left side view of the wide pouch cap;
FIG. 4 is a front view of the wide pouch cap;
FIG. 5 is a rear view of the wide pouch cap;
FIG. 6 is bottom view of the wide pouch cap; and,
FIG. 7 is a top view of the wide pouch cap.

1 Claim, 2 Drawing Sheets



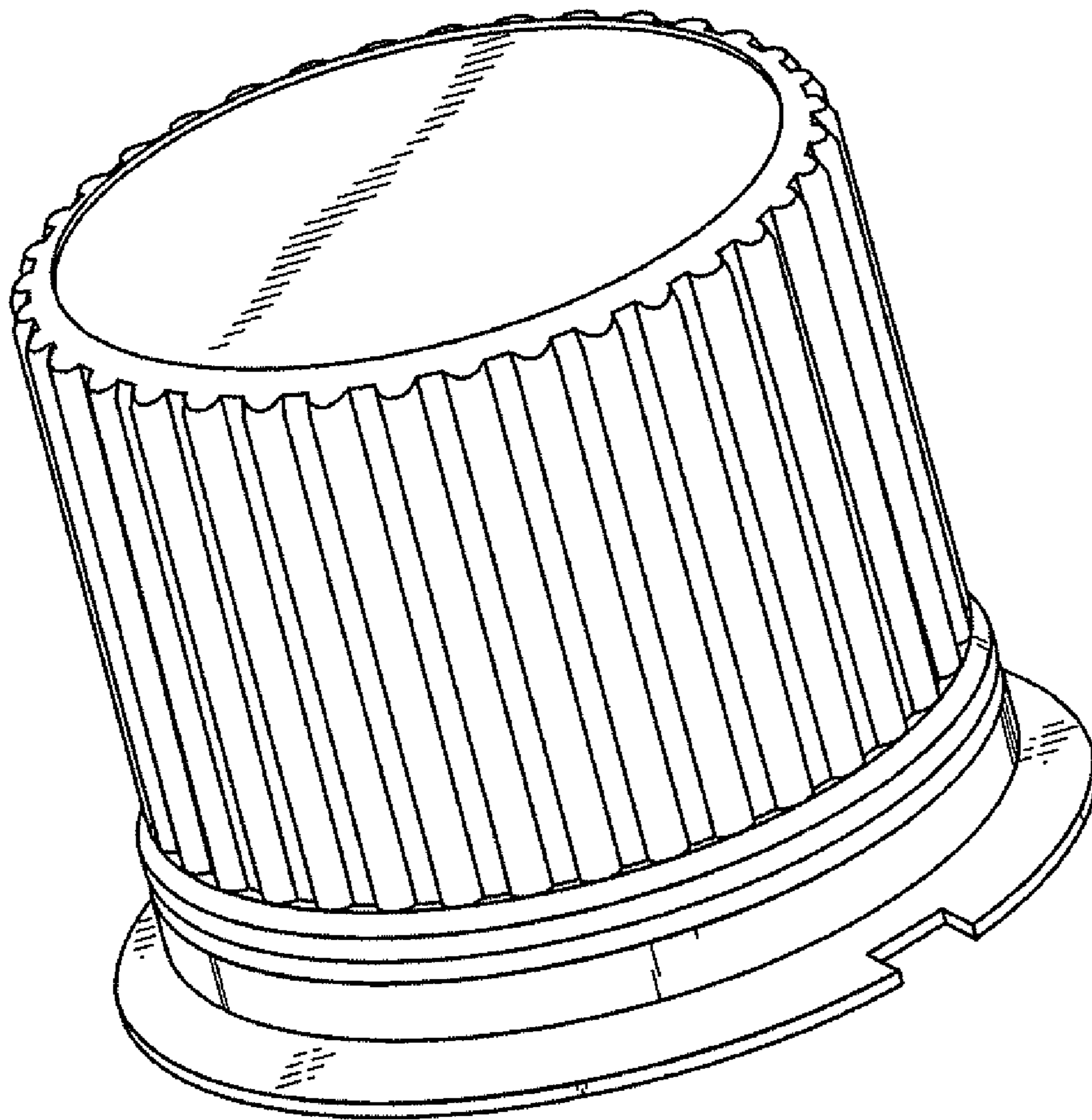


FIG.1

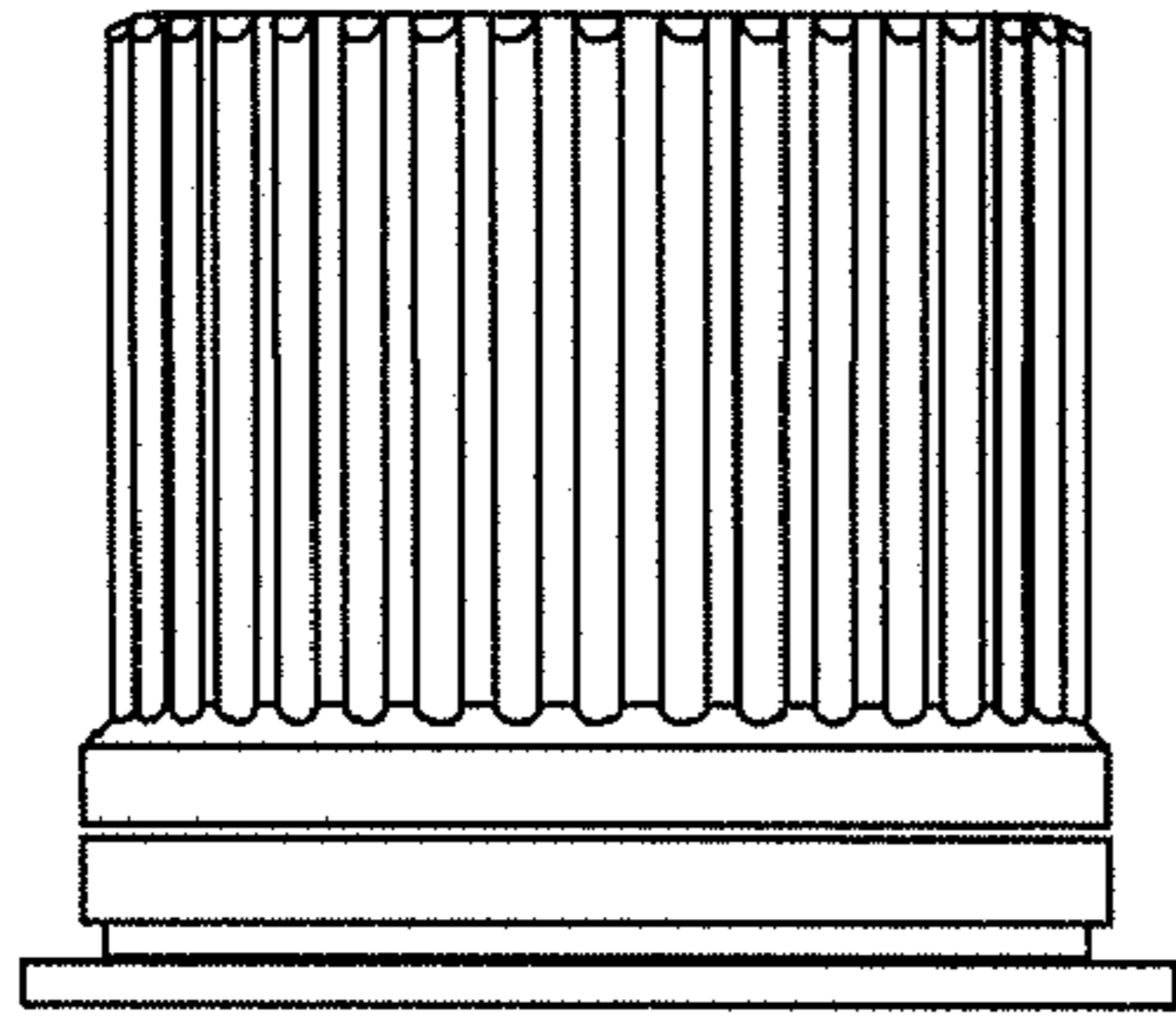


FIG. 2

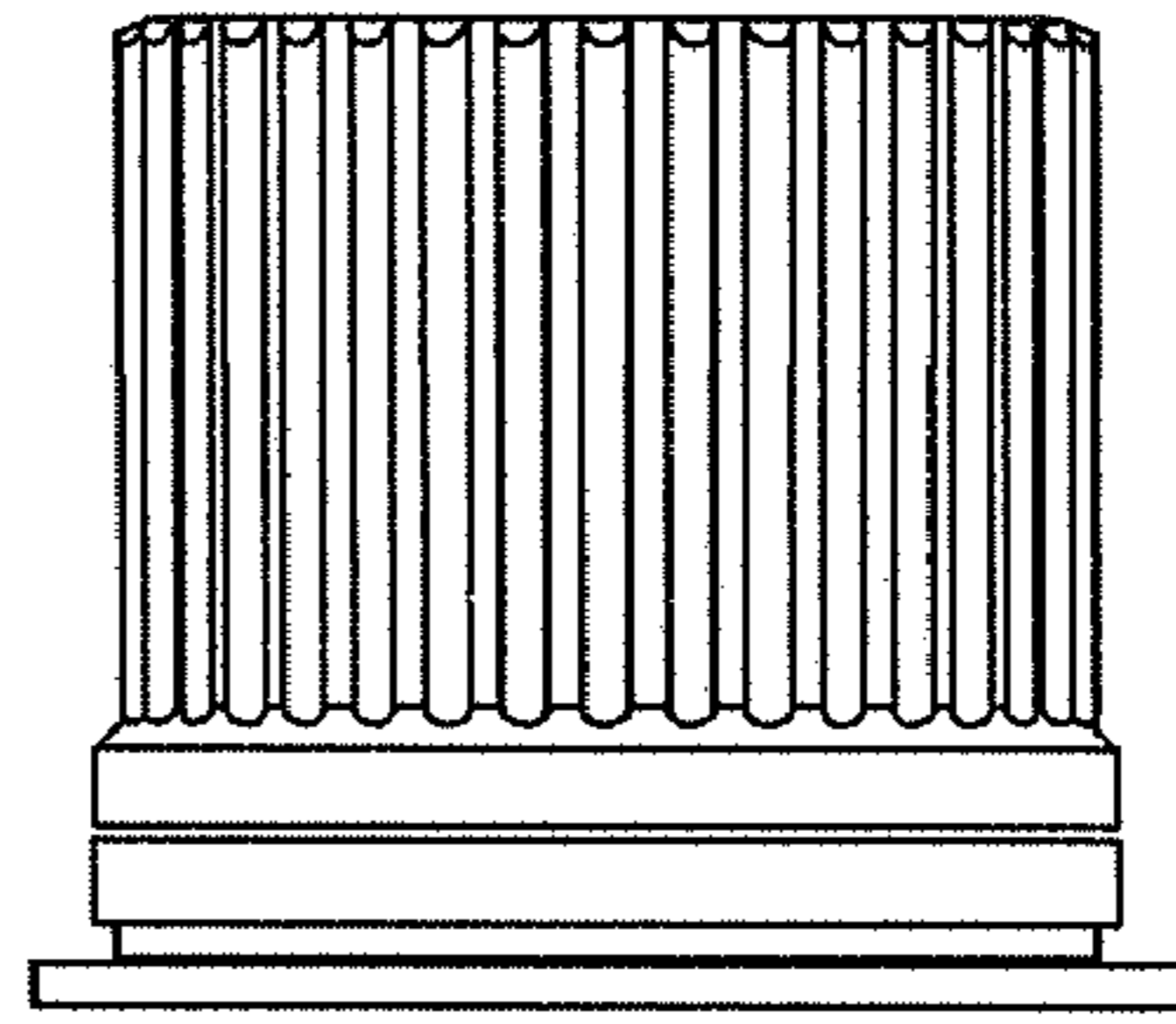


FIG. 3

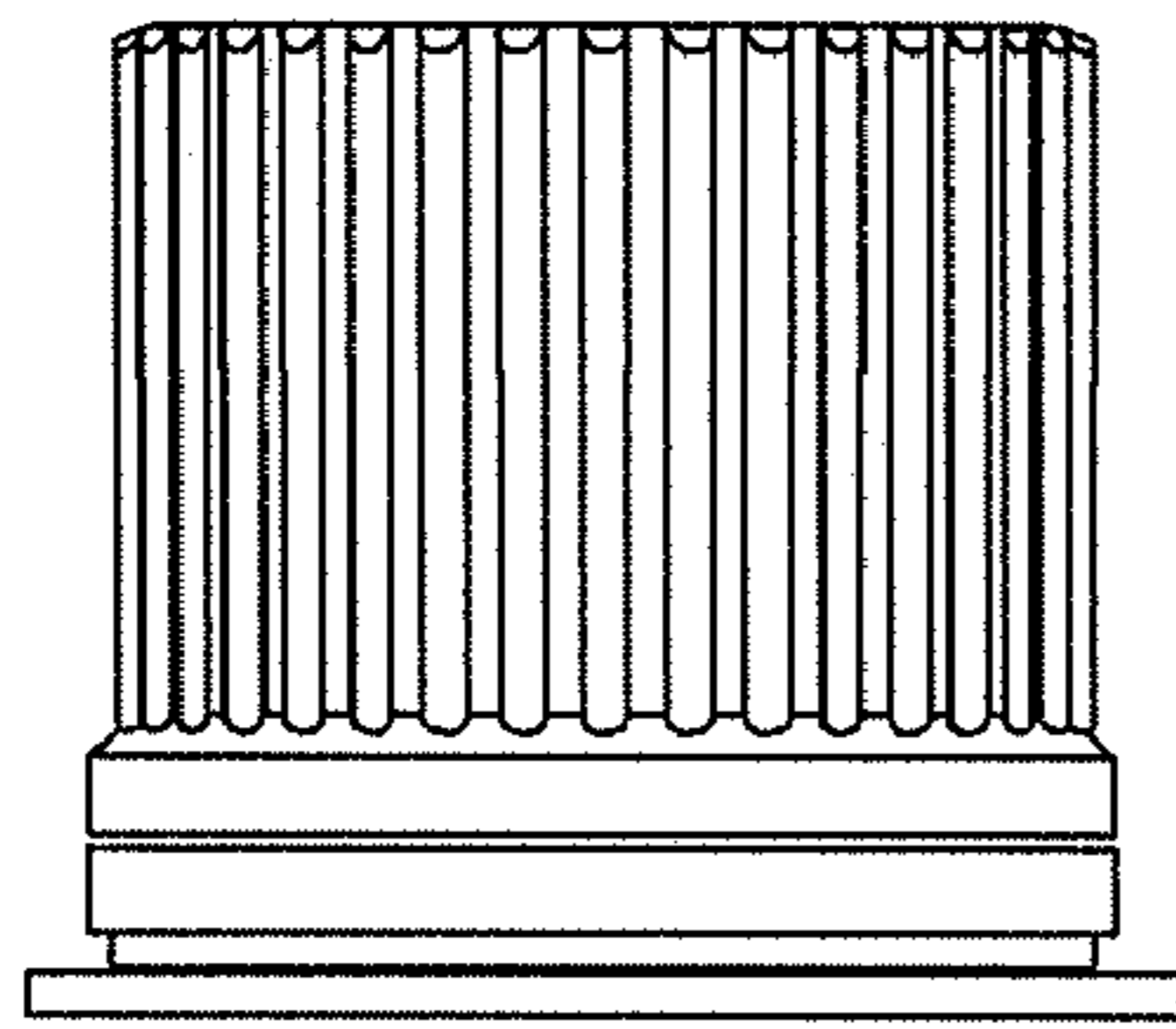


FIG. 4

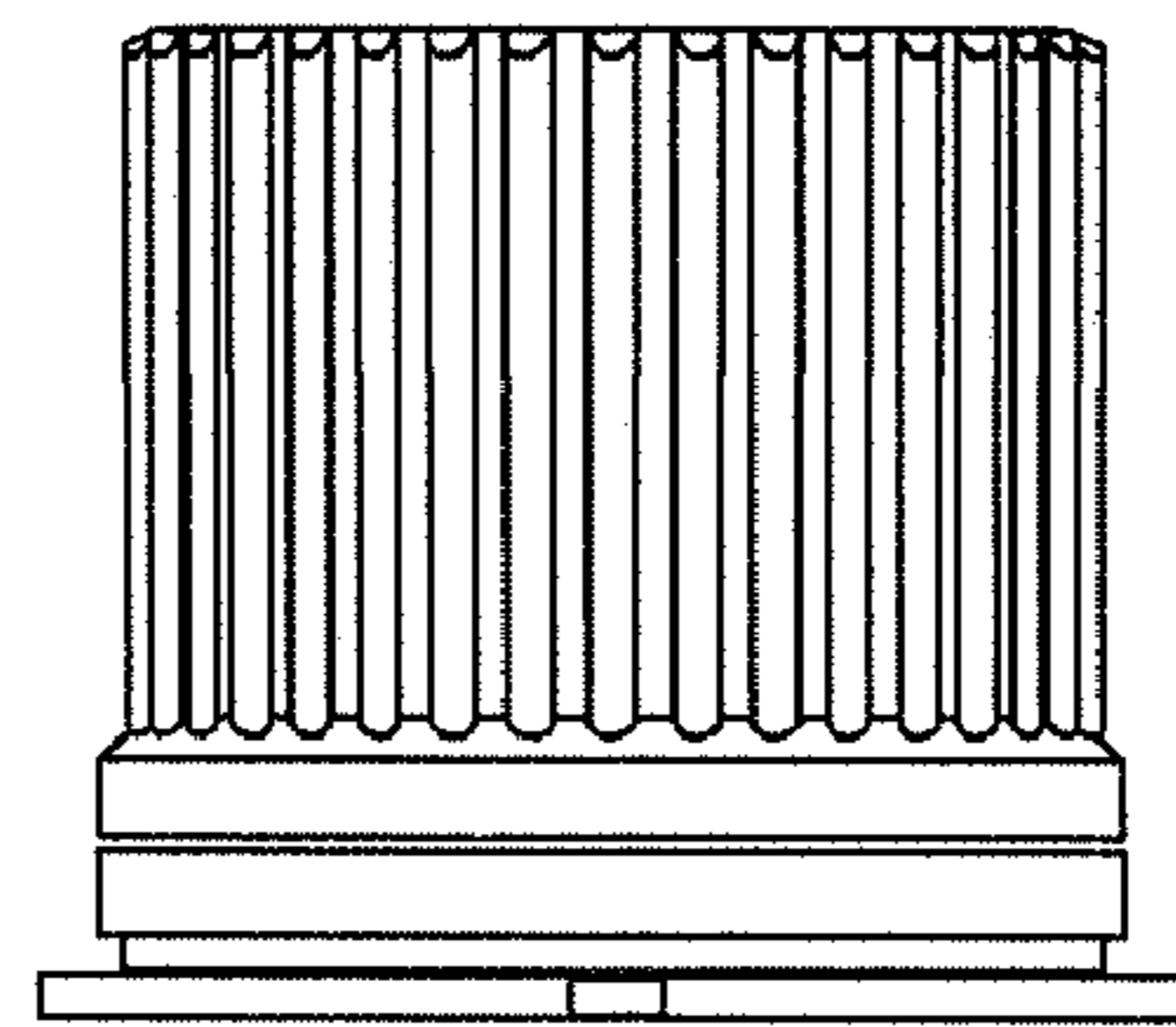


FIG. 5

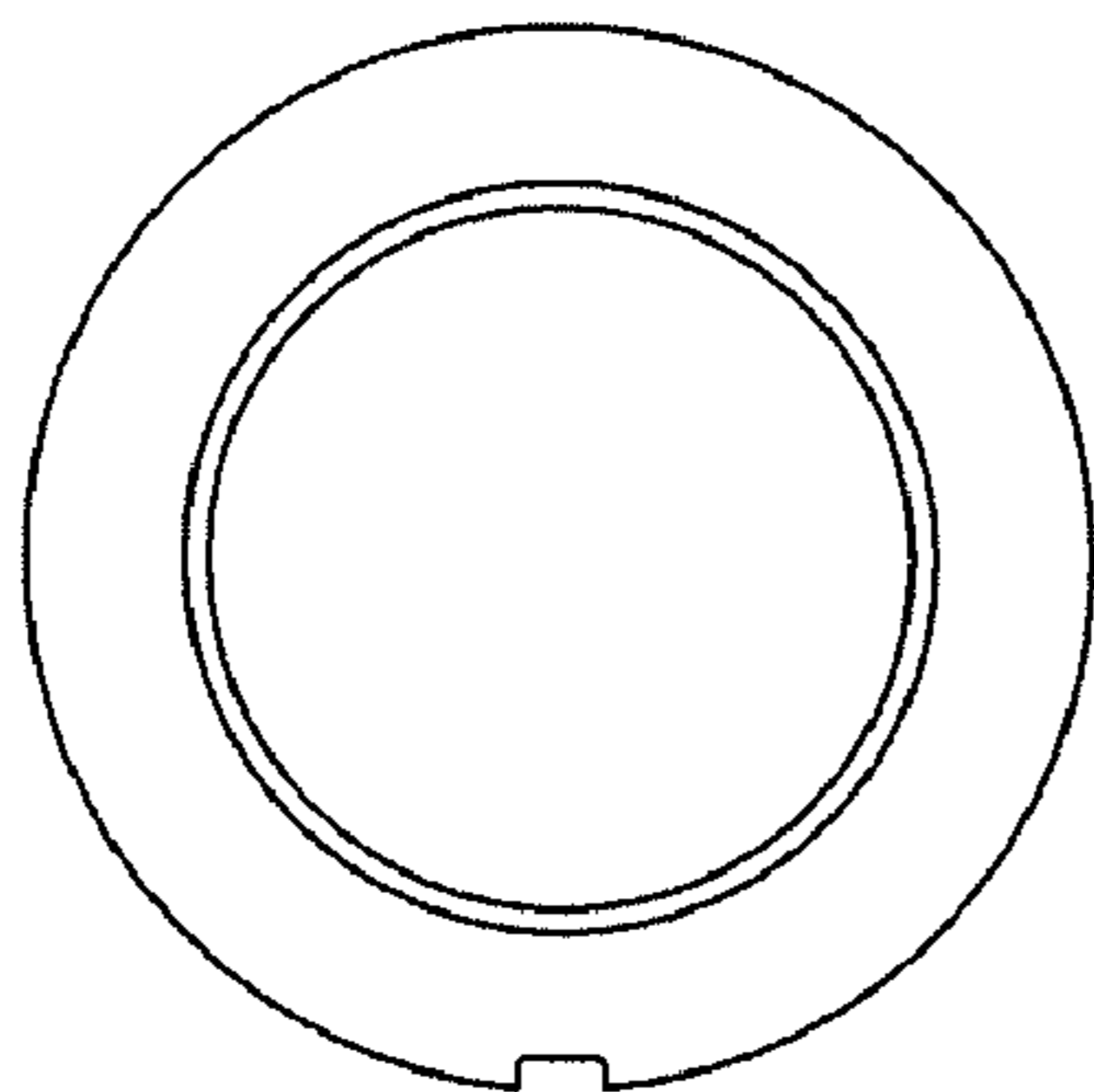


FIG. 6

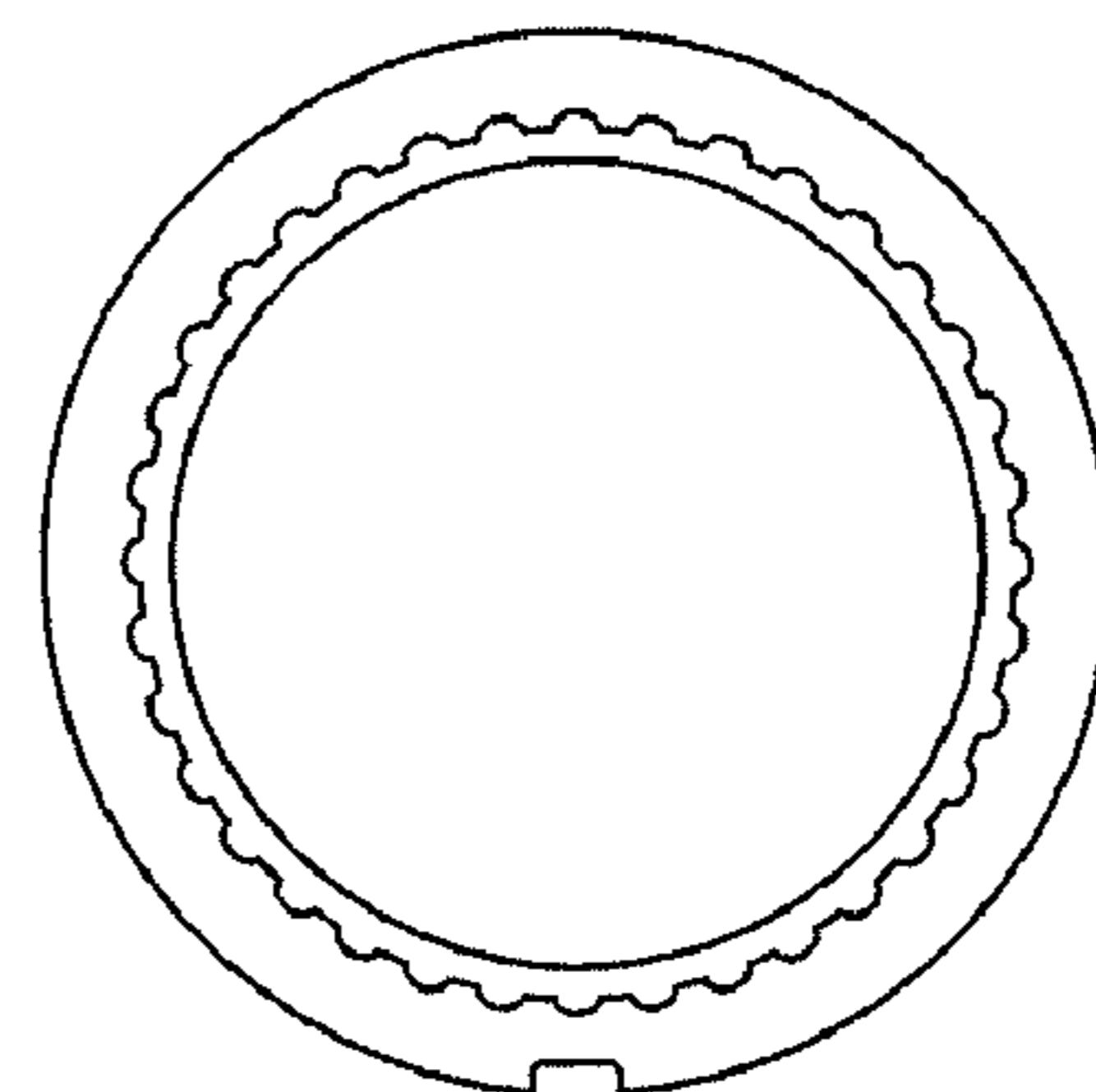


FIG. 7