



US00D566553S

(12) **United States Design Patent**
Yorita

(10) **Patent No.:** **US D566,553 S**

(45) **Date of Patent:** **** Apr. 15, 2008**

(54) **BOTTLE CAP**

(74) *Attorney, Agent, or Firm*—Rodman & Rodman

(75) Inventor: **Katsuhiko Yorita**, Nagoya (JP)

(57) **CLAIM**

(73) Assignee: **Jatecx Co., Ltd.**, Aichi-ken (JP)

The ornamental design for a bottle cap, as shown and described.

(**) Term: **14 Years**

(21) Appl. No.: **29/248,142**

DESCRIPTION

(22) Filed: **Jul. 31, 2006**

FIG. 1 is a top plan view of a bottle cap of a first embodiment of the present invention;

(30) **Foreign Application Priority Data**

FIG. 2 is a front elevation view thereof;

Feb. 3, 2006 (JP) 2006-002502

FIG. 3 is a bottom plan view thereof;

(51) **LOC (8) Cl.** **09-07**

FIG. 4 is a cross sectional view taken along lines 4—4 of FIG. 1 to better show the contours of the cap;

(52) **U.S. Cl.** **D9/453**

FIG. 5 is a cross sectional thereof showing the bottom lid opened;

(58) **Field of Classification Search** D9/708,

FIG. 6 is a front elevation view thereof showing the bottom lid opened;

D9/503, 455, 453, 445, 439; D23/252, 250;

FIG. 7 is a bottom plan view thereof showing the bottom lid opened;

222/567, 212; 215/223, 211, 208, 201, 200

FIG. 8 is a front elevation view of a bottle cap of a second embodiment of the present invention;

See application file for complete search history.

FIG. 9 is a bottom plan view thereof;

(56) **References Cited**

U.S. PATENT DOCUMENTS

D185,724 S * 7/1959 Terwilliger D9/439

D362,623 S * 9/1995 Ma D9/453

D525,125 S * 7/2006 King D9/453

D542,140 S * 5/2007 Garcia-Ruiz D9/453

FOREIGN PATENT DOCUMENTS

JP 1178656 7/2003

FIG. 10 is a cross sectional view taken along lines 10—10 of FIG. 9 to better show the contours of the cap;

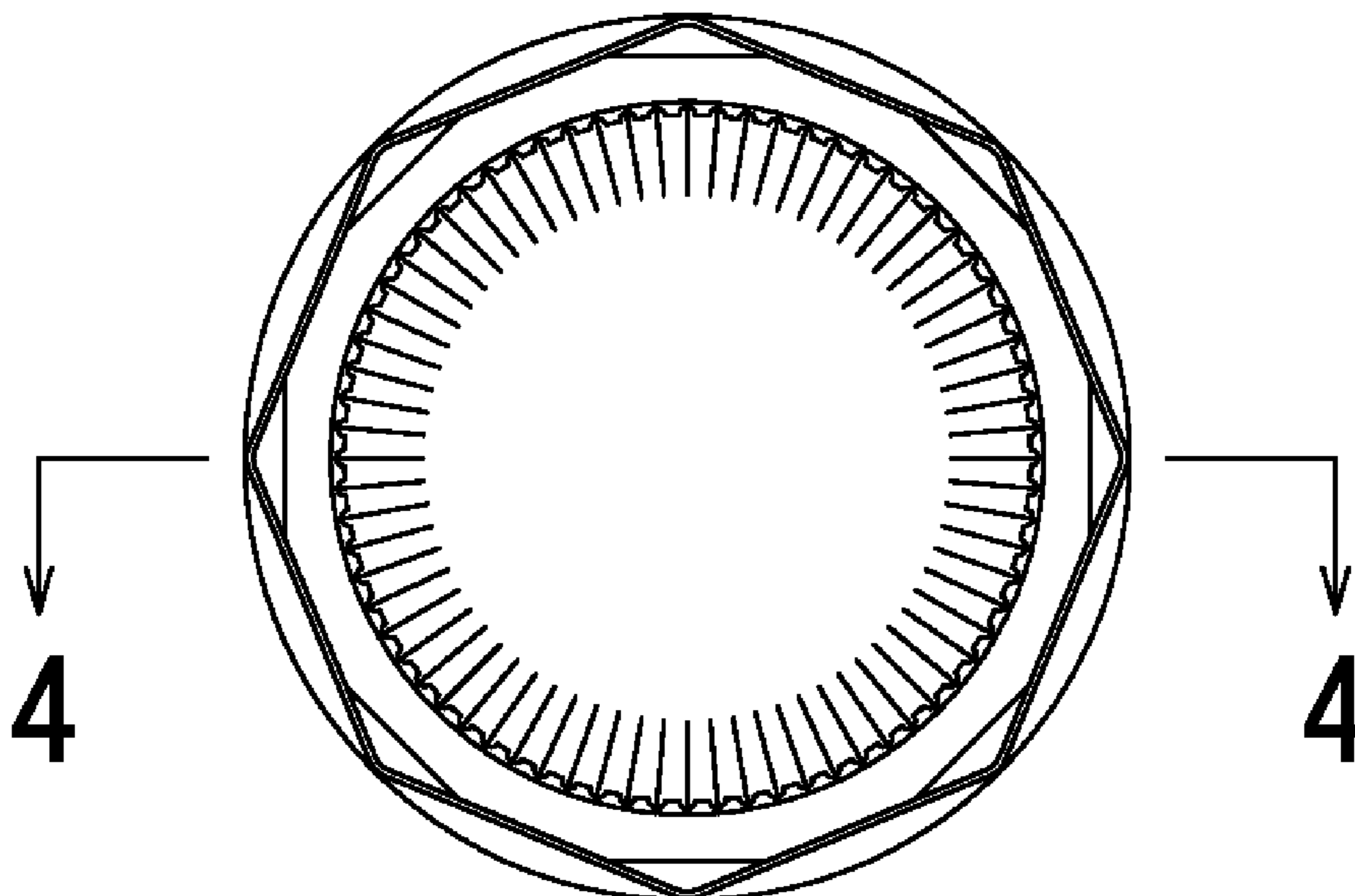
FIG. 11 is a front elevation view thereof showing the bottom lid opened; and,
FIG. 12 is a bottom plan view thereof showing the bottom lid opened.

* cited by examiner

Primary Examiner—Gary D. Watson

Assistant Examiner—Susan Bennett Hattan

1 Claim, 6 Drawing Sheets



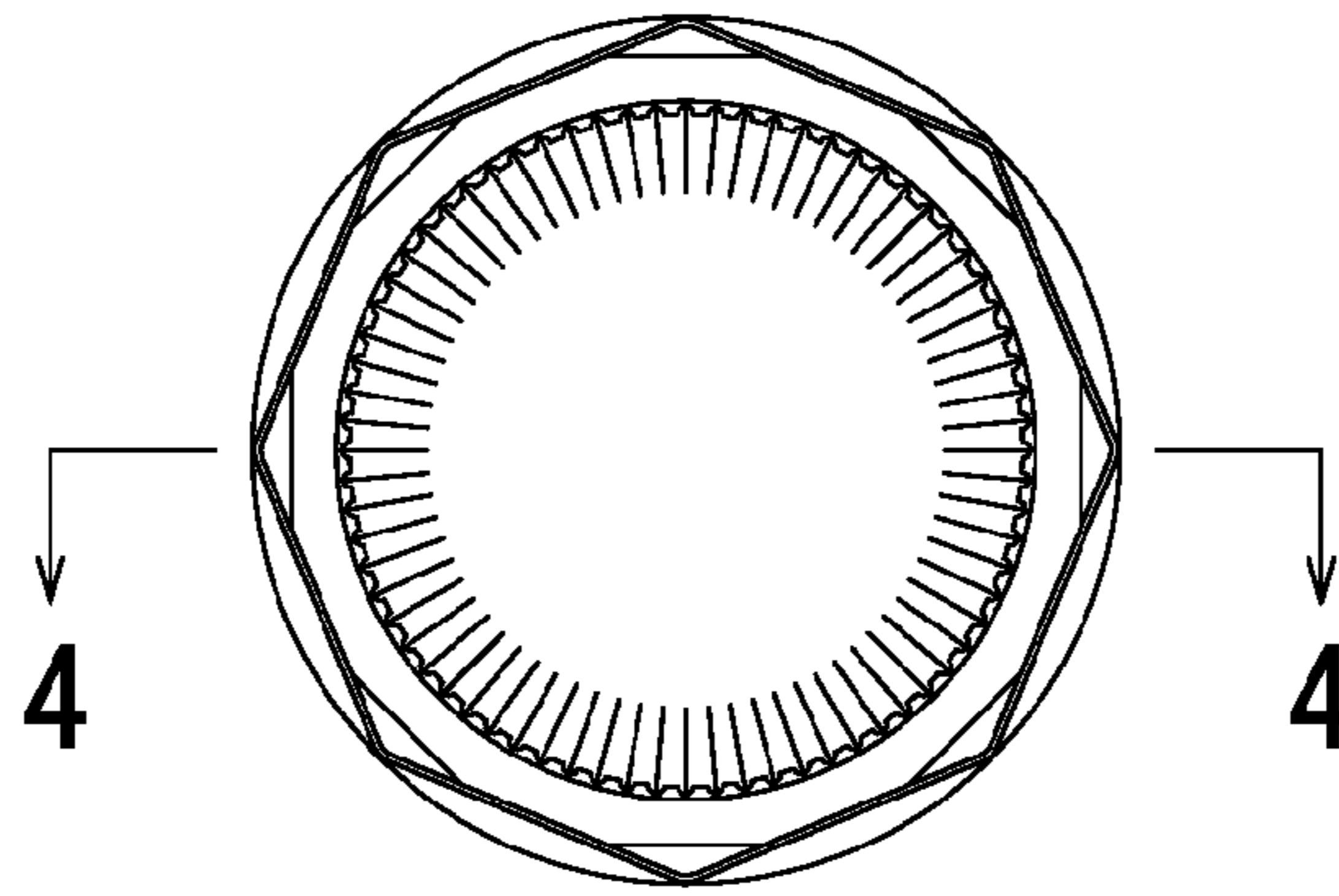


FIG. 1

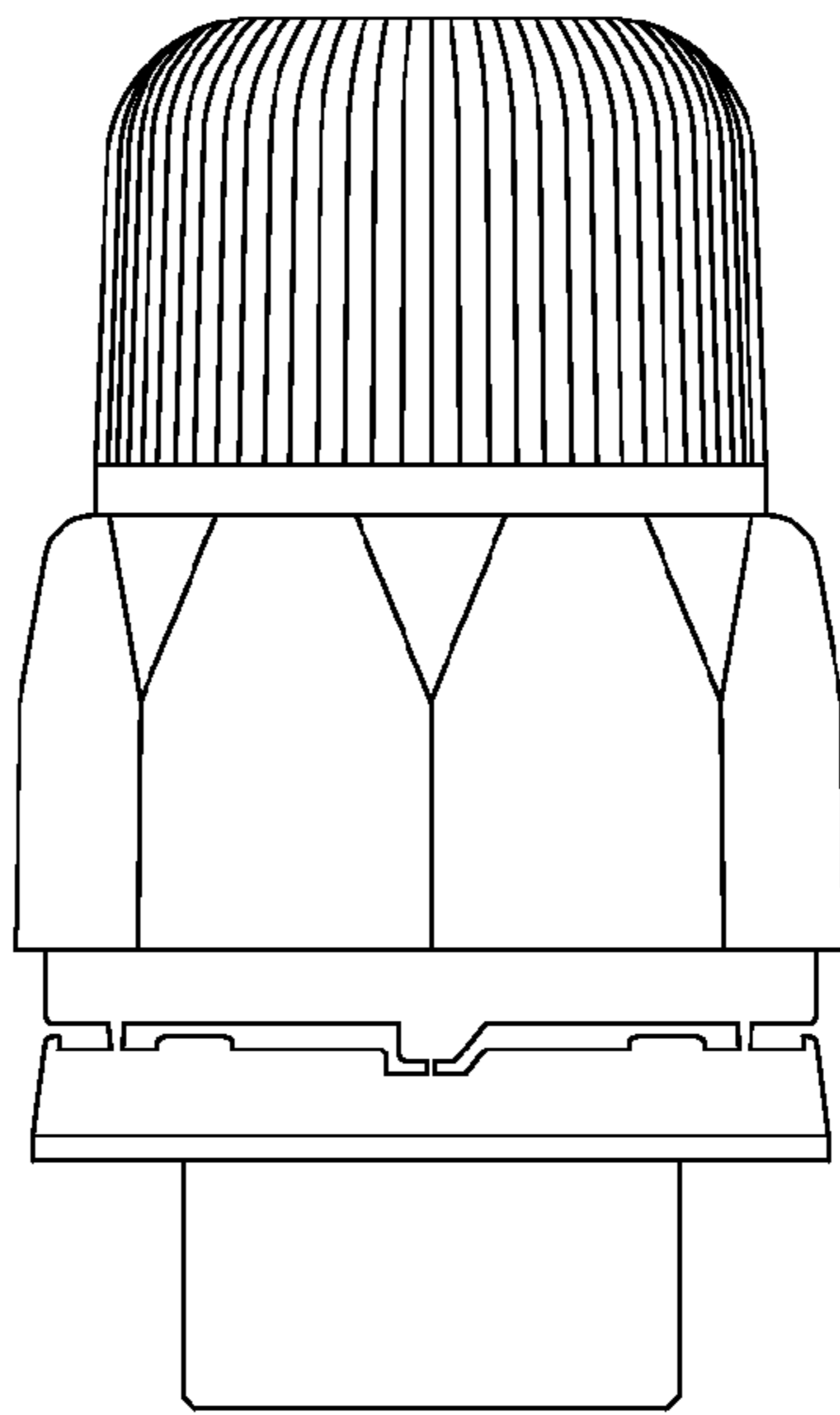


FIG. 2

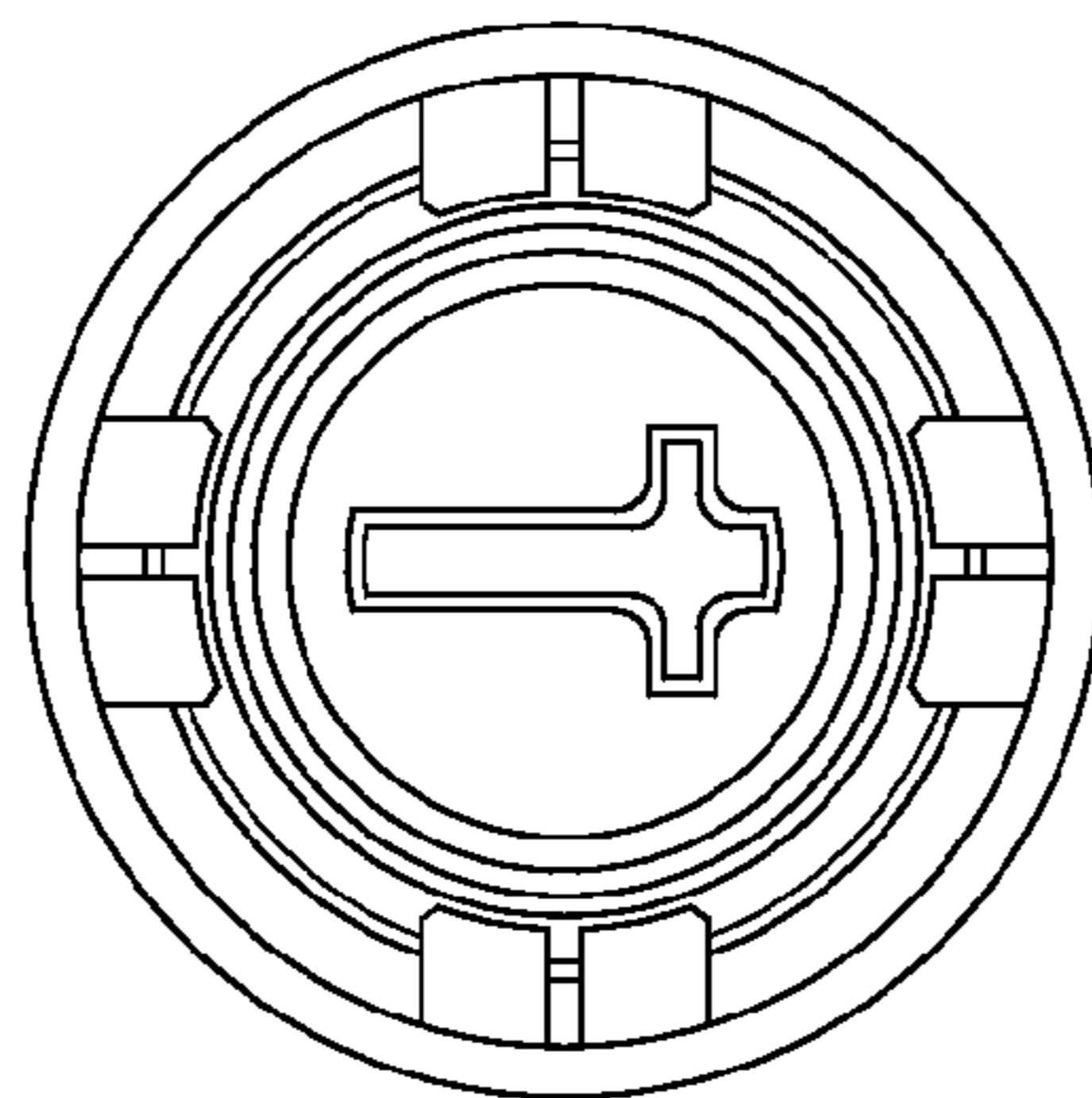


FIG. 3

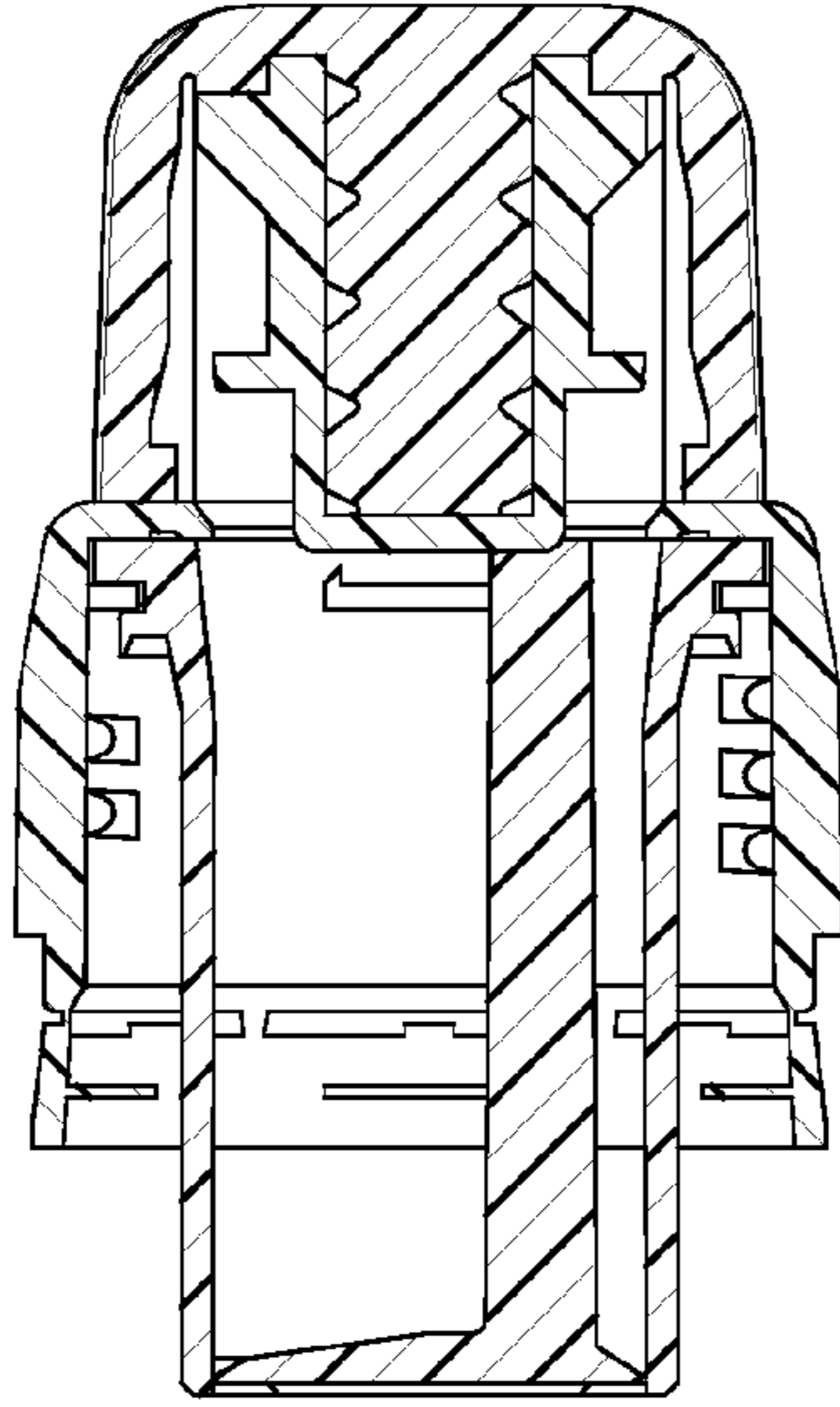


FIG. 4

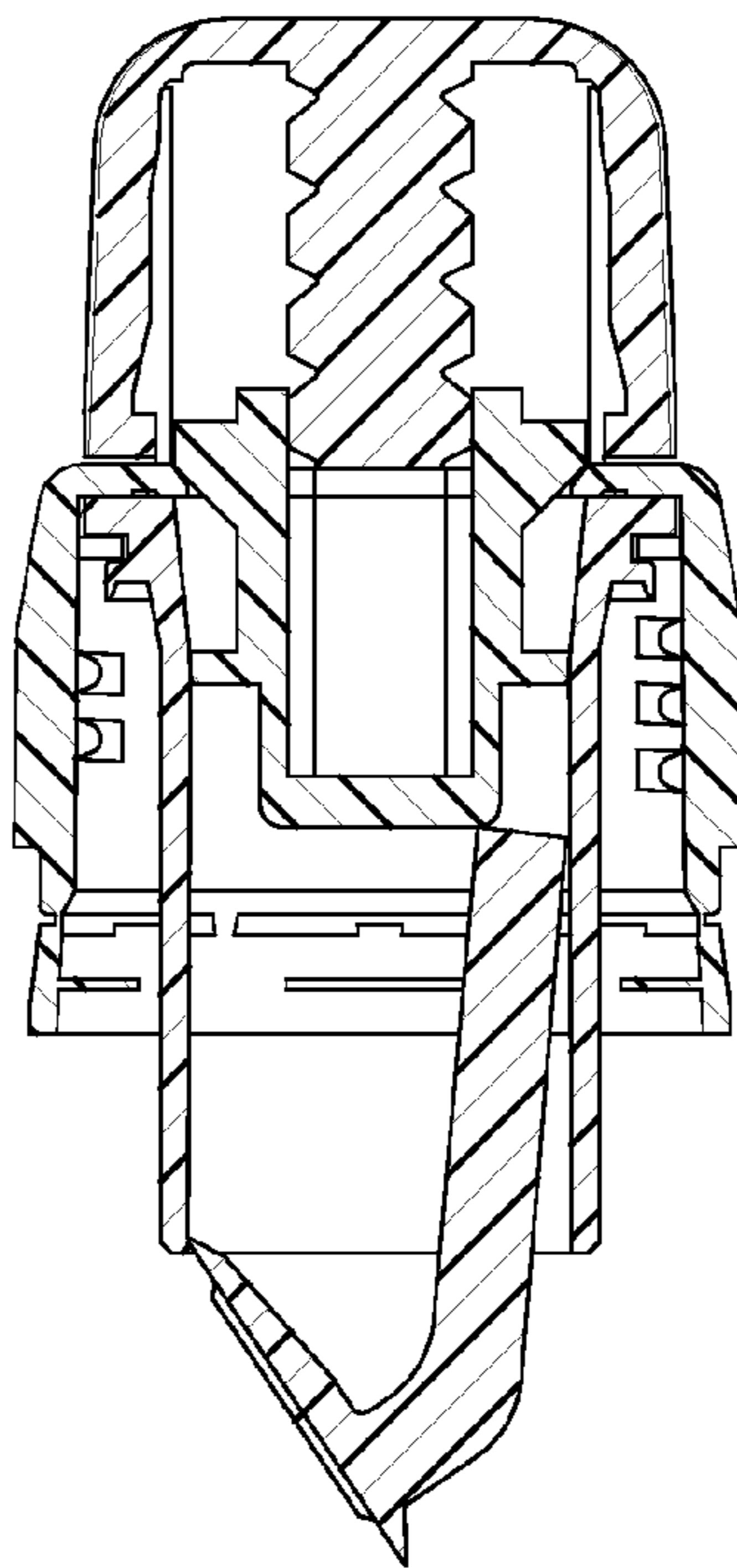


FIG. 5

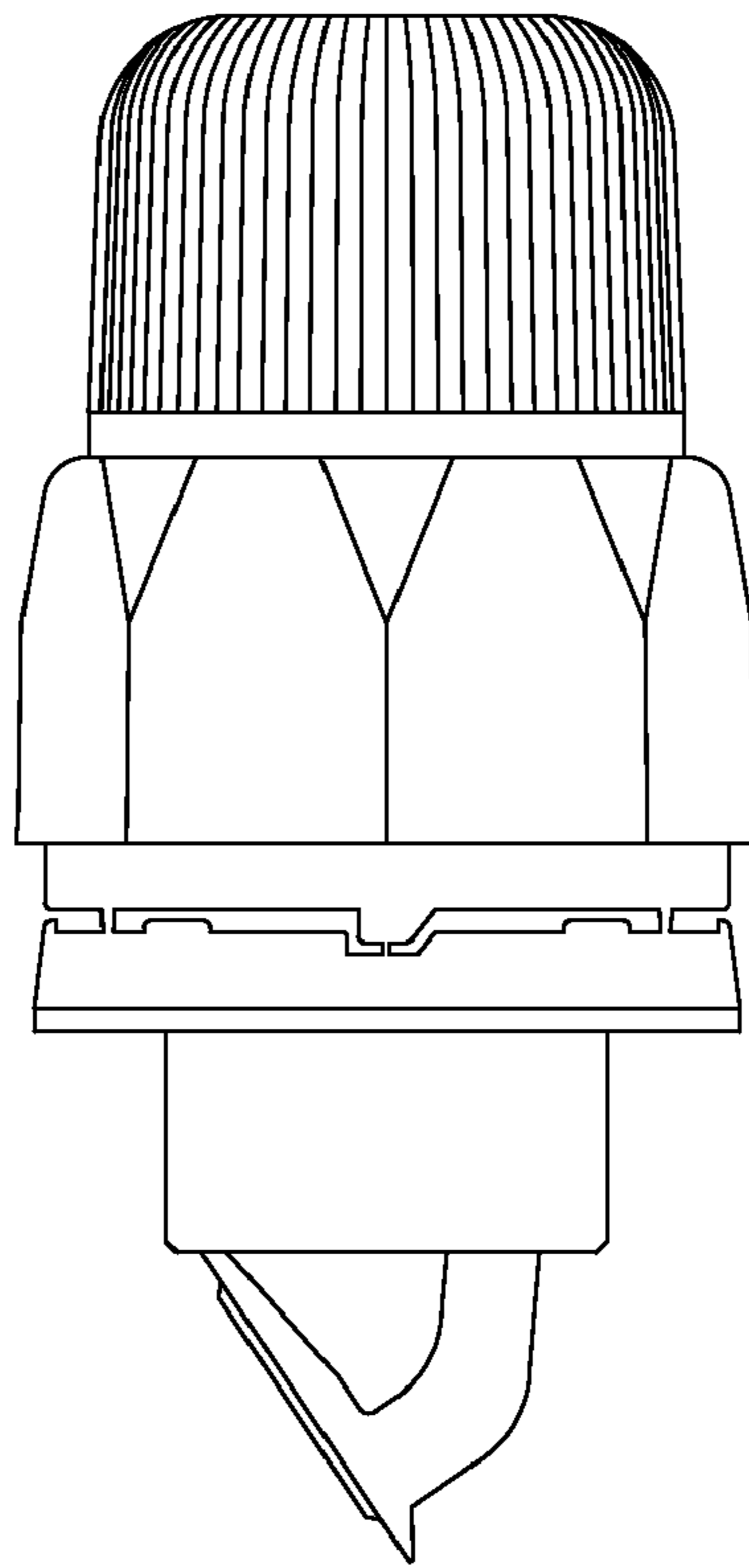


FIG. 6

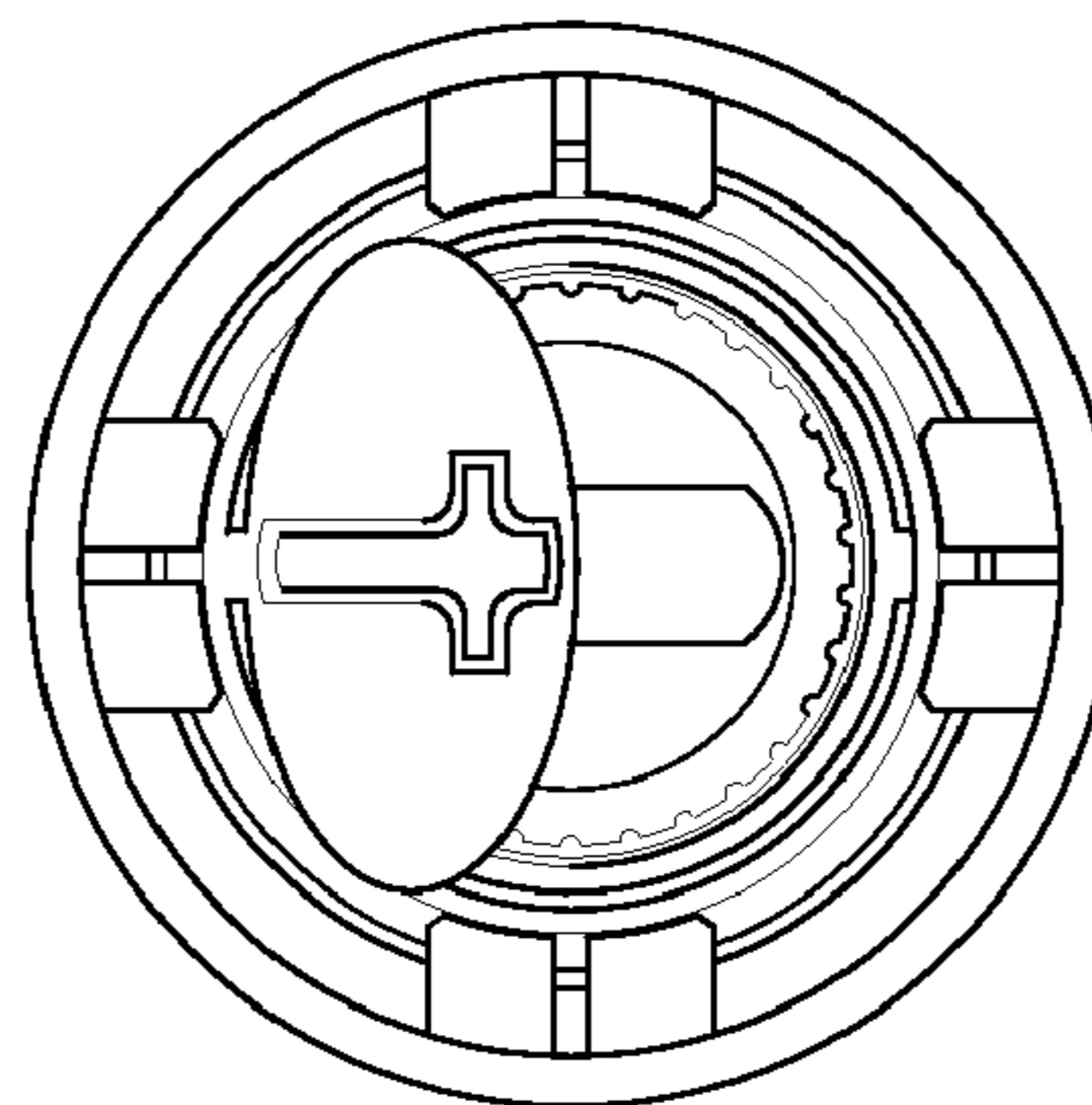


FIG. 7

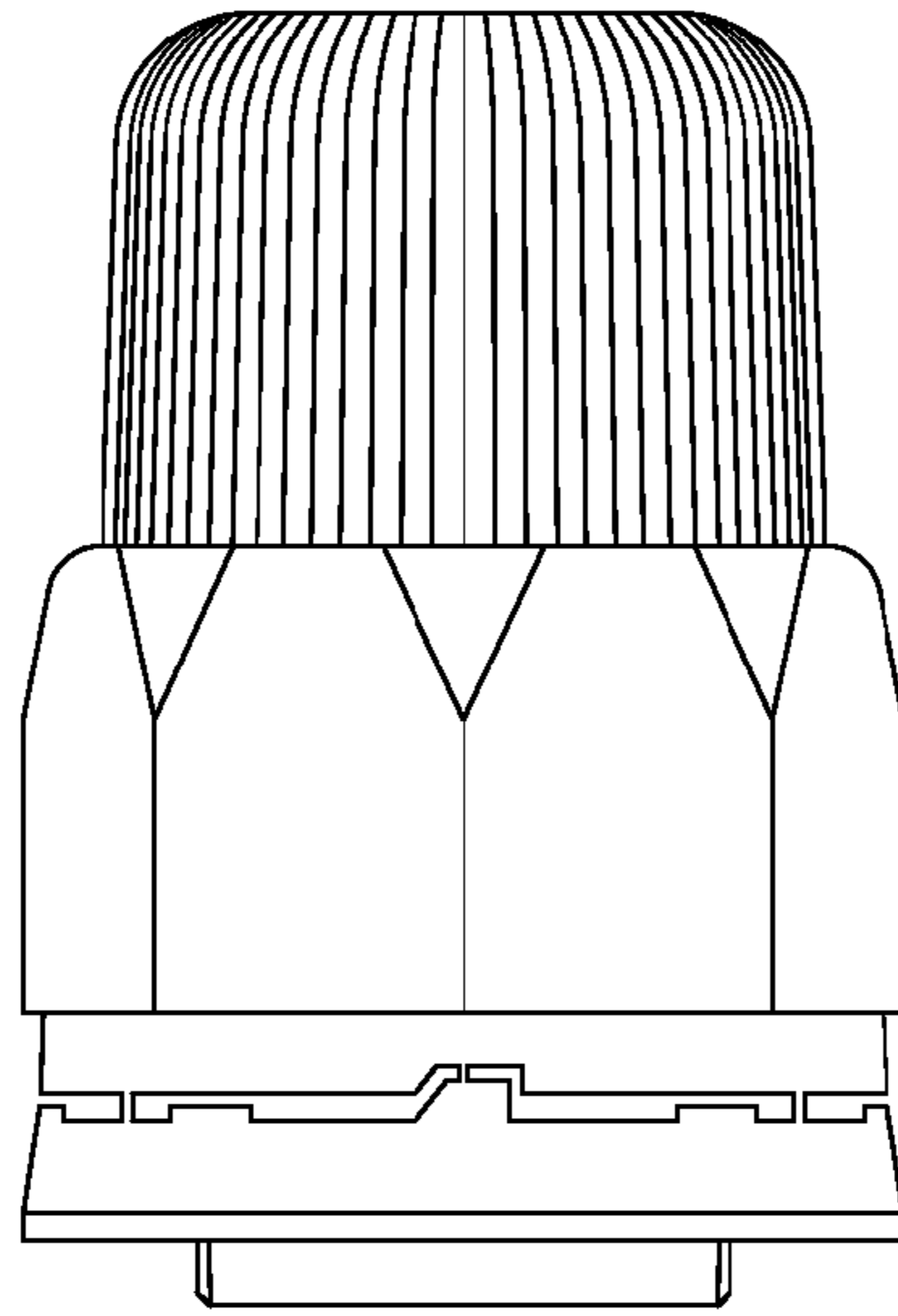


FIG. 8

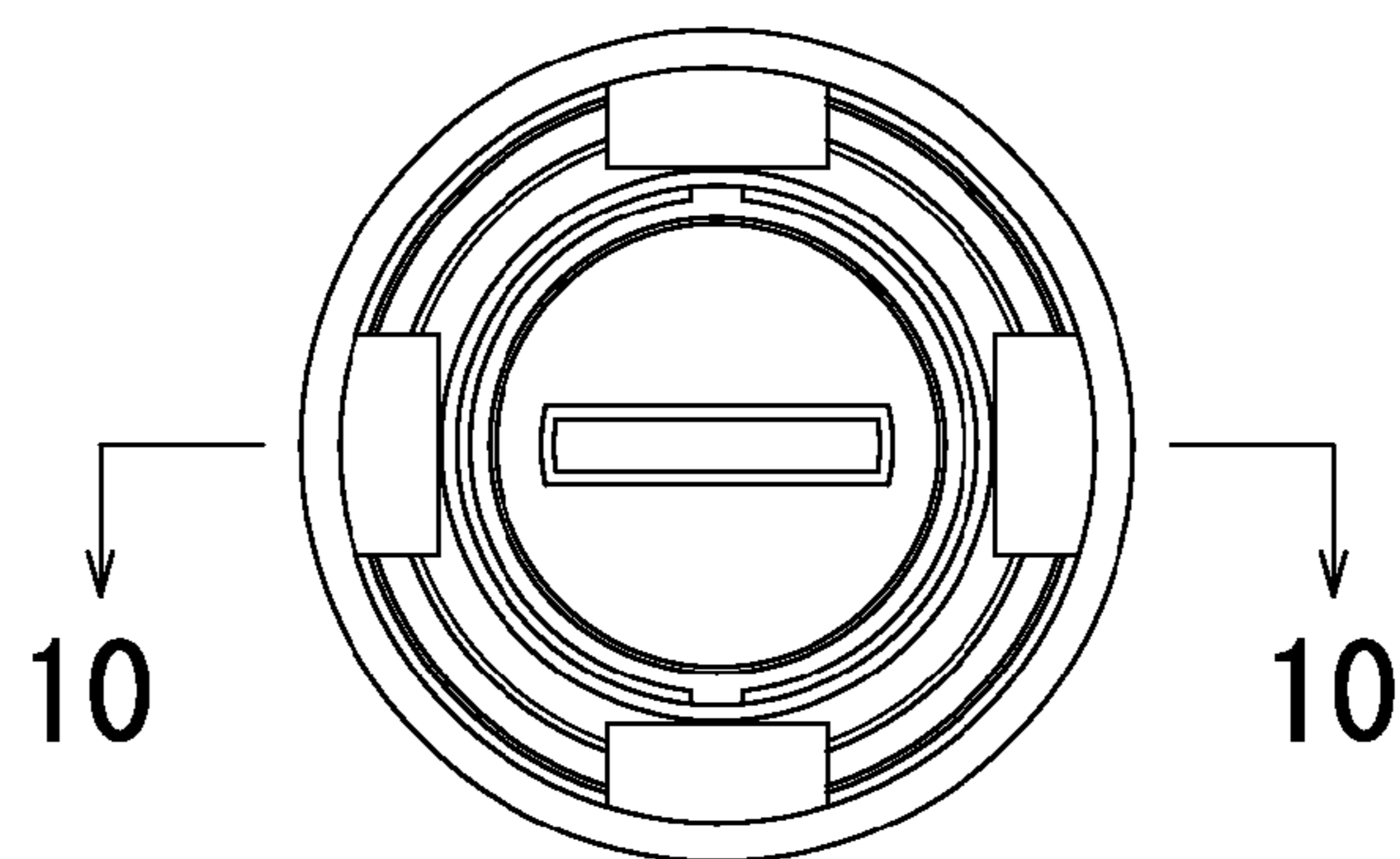


FIG. 9

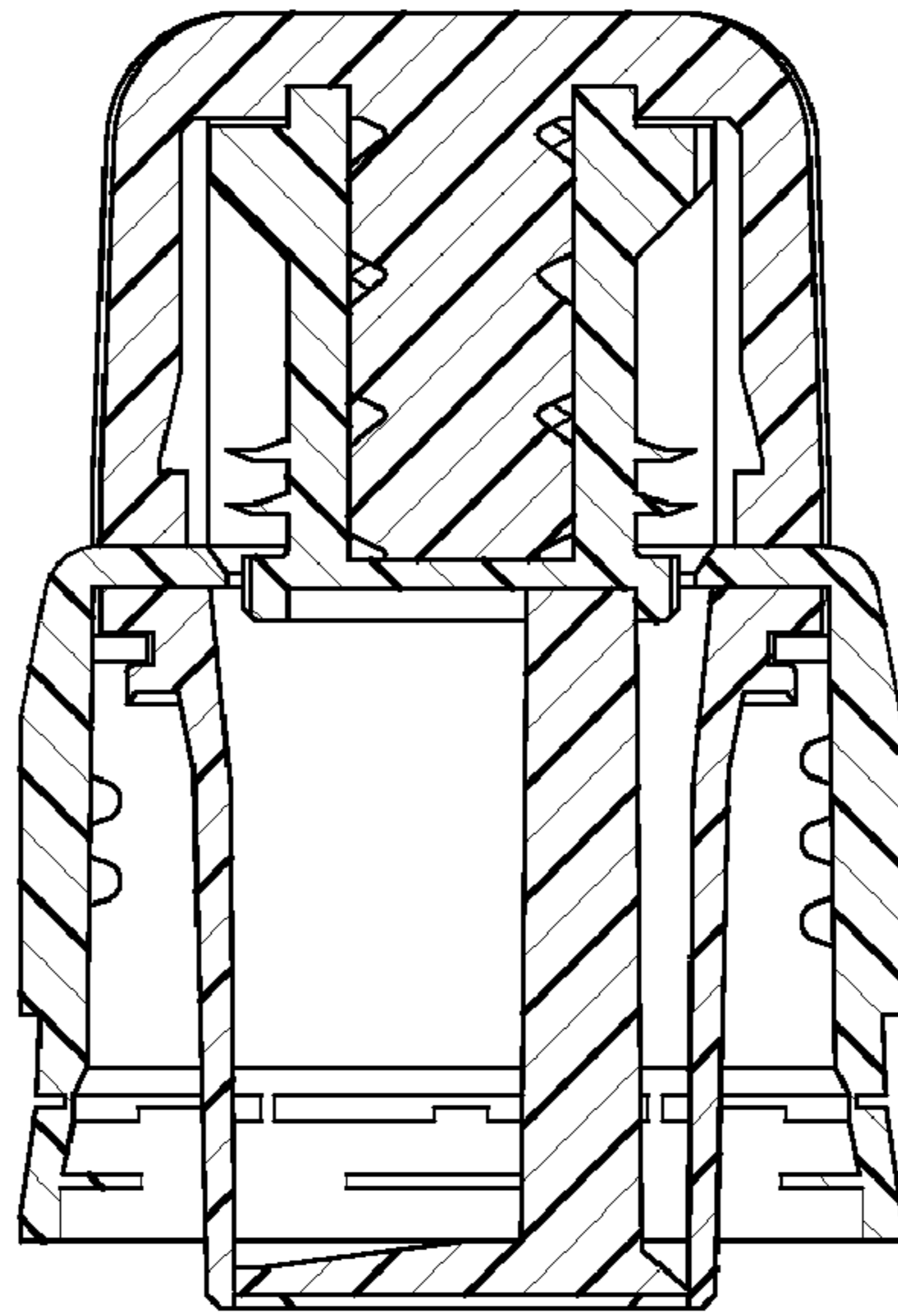


FIG. 10

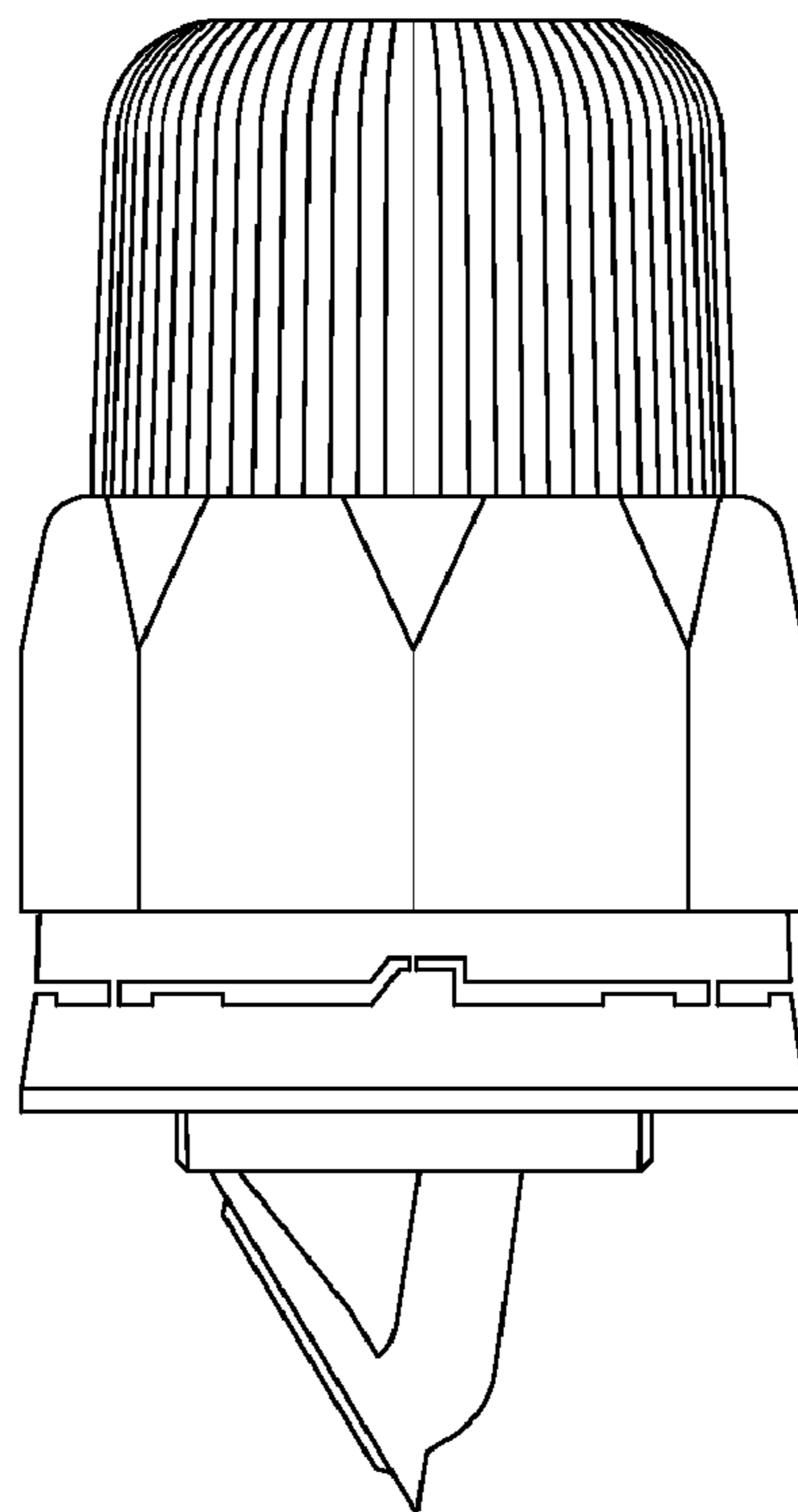


FIG. 11

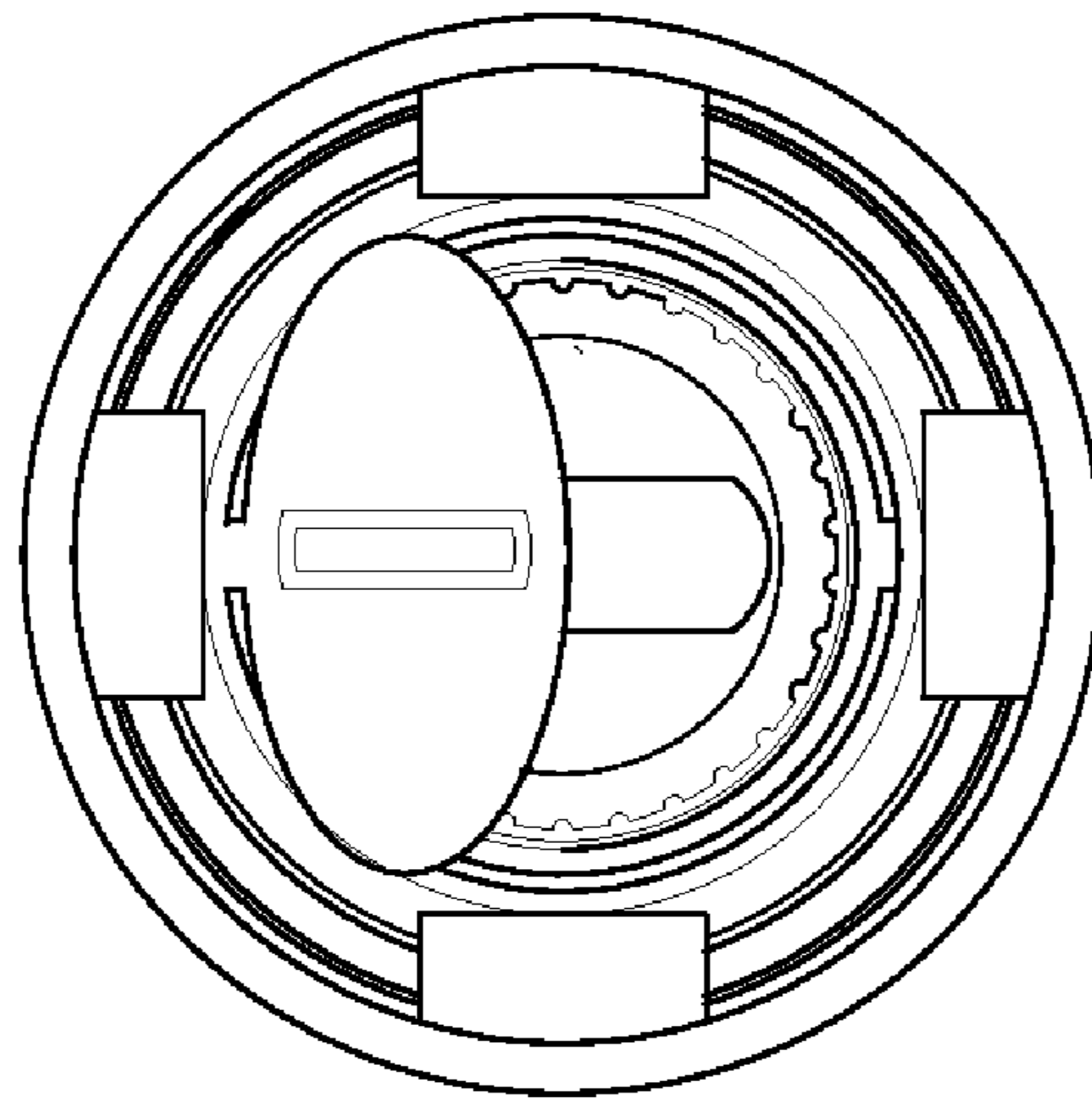


FIG. 12