

US00D566552S

(12) **United States Design Patent**
Vette

(10) **Patent No.:** **US D566,552 S**
(45) **Date of Patent:** **** Apr. 15, 2008**

(54) **COVER WITH CLOSING ARRANGEMENT**

(75) Inventor: **Manfred Vette**, Preussisch Oldendorf (DE)

(73) Assignee: **Tetra GmbH**, Melle (DE)

(**) Term: **14 Years**

(21) Appl. No.: **29/278,383**

(22) Filed: **Mar. 28, 2007**

(30) **Foreign Application Priority Data**

Nov. 20, 2006 (EM) 000624002

(51) **LOC (8) Cl.** **09-07**

(52) **U.S. Cl.** **D9/449; D9/454**

(58) **Field of Classification Search** D9/454,
D9/450, 449, 447, 446, 428, 435, 423, 421,
D9/420, 422, 426; D7/900, 401.1, 396.1,
D7/392; 229/207; D6/518; D34/11, 7,
D34/13; D3/323; 222/480, 256; 220/812,
220/810, 480, 345.1, 256.1, 253, 213; 215/322,
215/306, 236, 235

See application file for complete search history.

(56) **References Cited**

U.S. PATENT DOCUMENTS

949,974 A * 2/1910 Cibulka 220/345.1
D376,952 S * 12/1996 Rausch D7/392.1
D417,583 S * 12/1999 Demore D7/392.1
D418,364 S * 1/2000 Demore D7/392.1
6,354,454 B1 * 3/2002 Wong 220/345.1

* cited by examiner

Primary Examiner—Gary D. Watson

Assistant Examiner—Susan Bennett Hattan

(74) *Attorney, Agent, or Firm*—Merchant & Gould P.C.

(57) **CLAIM**

The ornamental design for cover with closing arrangement, as shown and described.

DESCRIPTION

FIG. 1 is a front perspective view of a first embodiment of a cover with closing arrangement according to the present invention; the cover with closing arrangement including a closer slide shown in a closed position.

FIG. 2 is a top plan view of the cover with closing arrangement shown in FIG. 1.

FIG. 3 is a side elevation view of the cover with closing arrangement shown in FIG. 1.

FIG. 4 is a front elevation view of the cover with closing arrangement shown in FIG. 1.

FIG. 5 is a rear elevation view of the cover with closing arrangement shown in FIG. 1.

FIG. 6 is a bottom plan view of the cover with closing arrangement shown in FIG. 1; the portions shown in broken lines forming no part of the claimed design.

FIG. 7 is a top plan view of a second embodiment of a cover with closing arrangement according to the present invention; the cover with closing arrangement including a closer slide shown in an open position; the portions shown in broken lines forming no part of the claimed design.

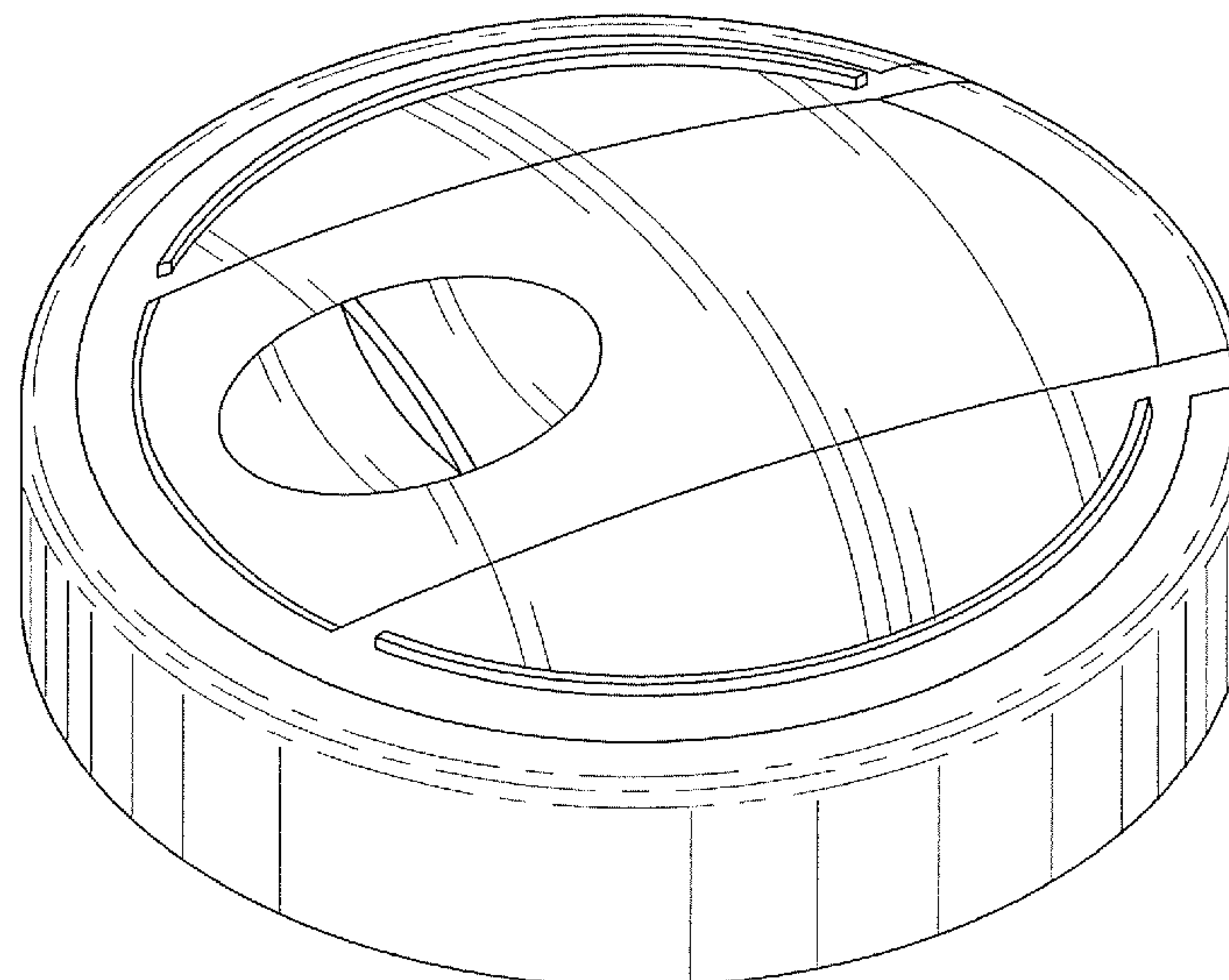
FIG. 8 is a side elevation view of the cover with closing arrangement shown in FIG. 7.

FIG. 9 is a front elevation view of the cover with closing arrangement shown in FIG. 7.

FIG. 10 is a rear elevation view of the cover with closing arrangement shown in FIG. 7; and,

FIG. 11 is a bottom plan view of the cover with closing arrangement shown in FIG. 7.

1 Claim, 11 Drawing Sheets



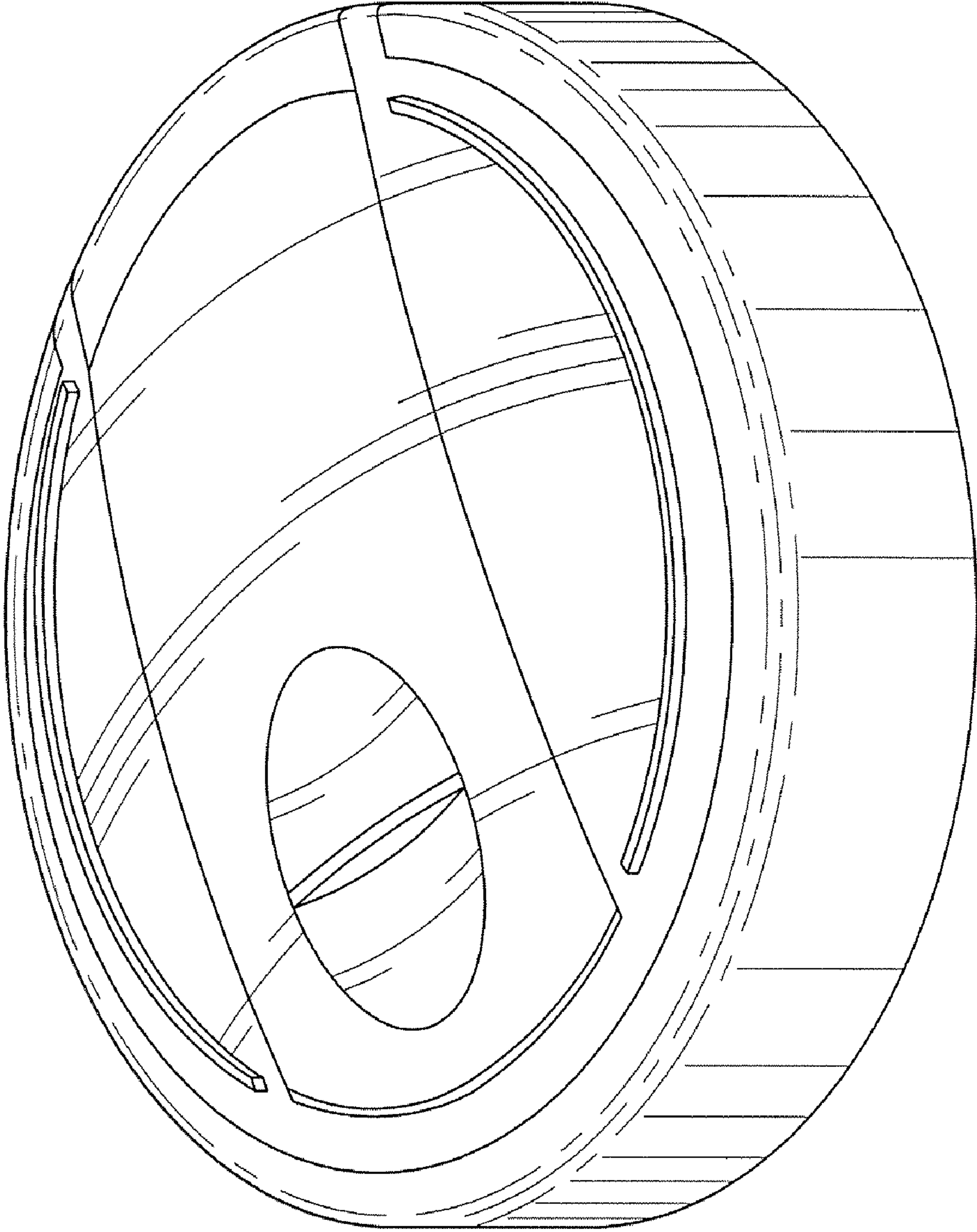


FIG. 1

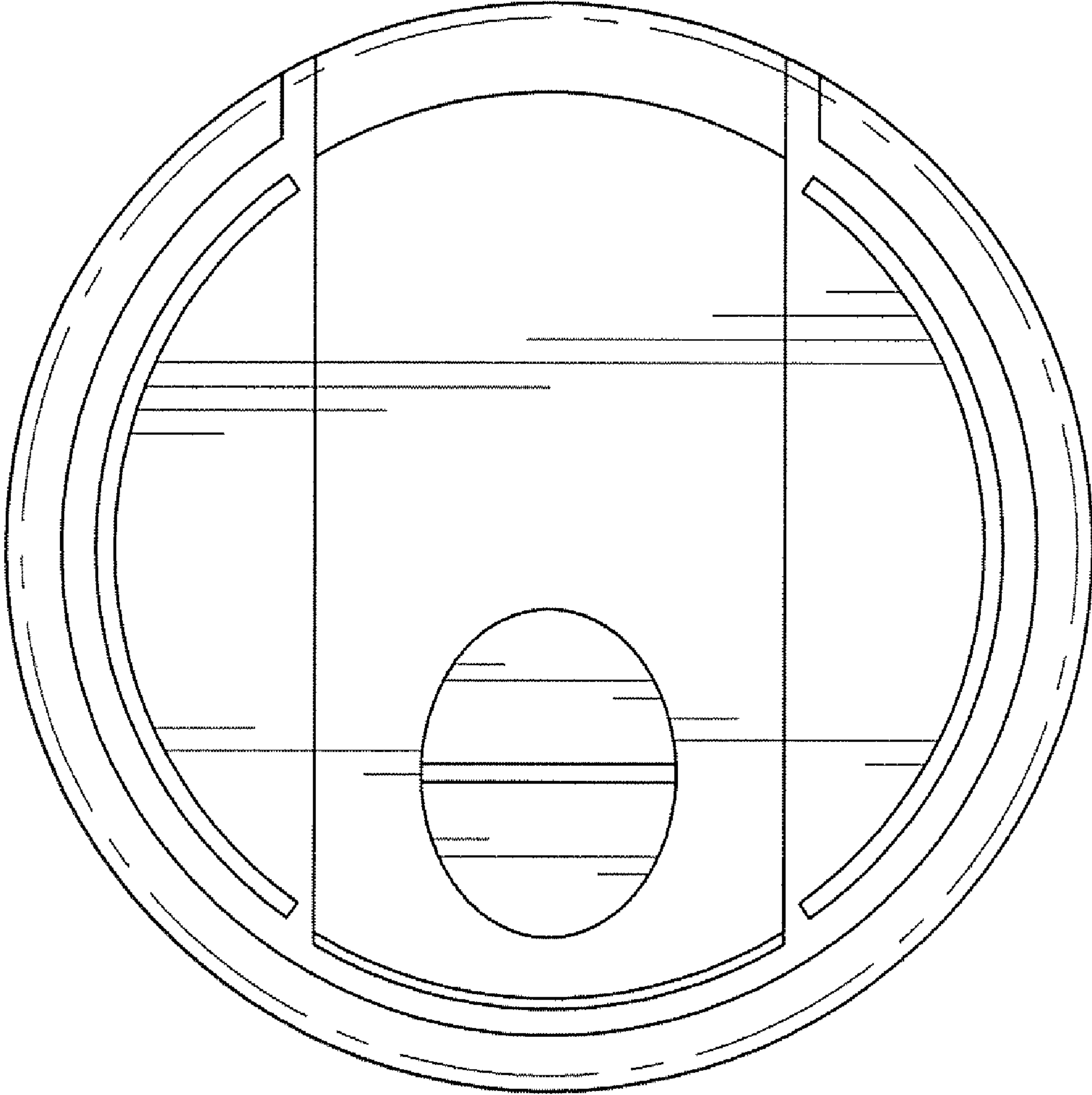


FIG. 2

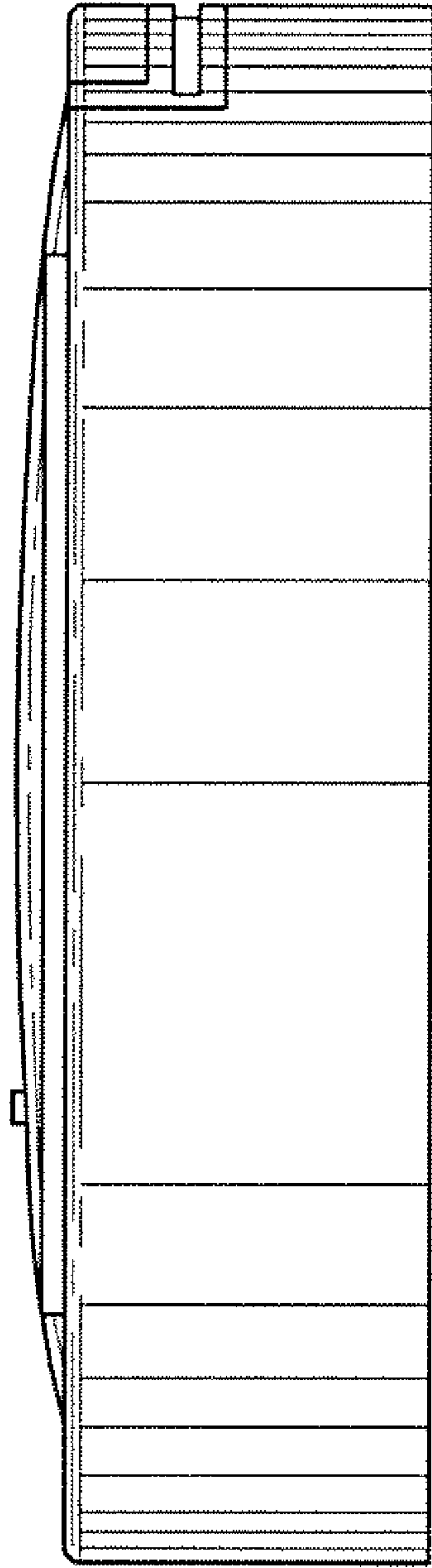


FIG. 3

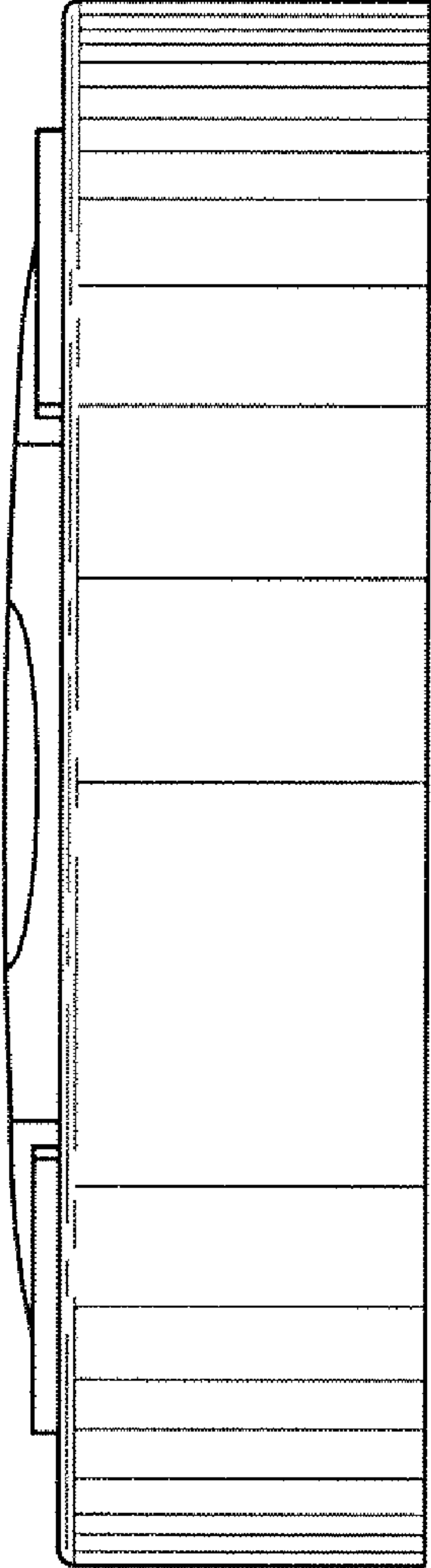


FIG. 4

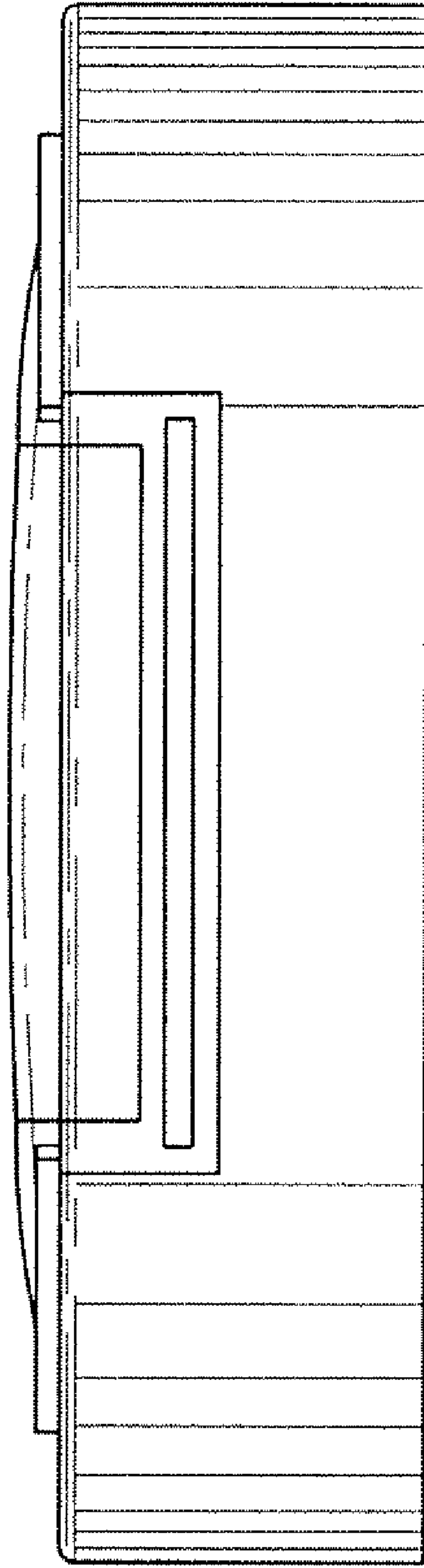


FIG. 5

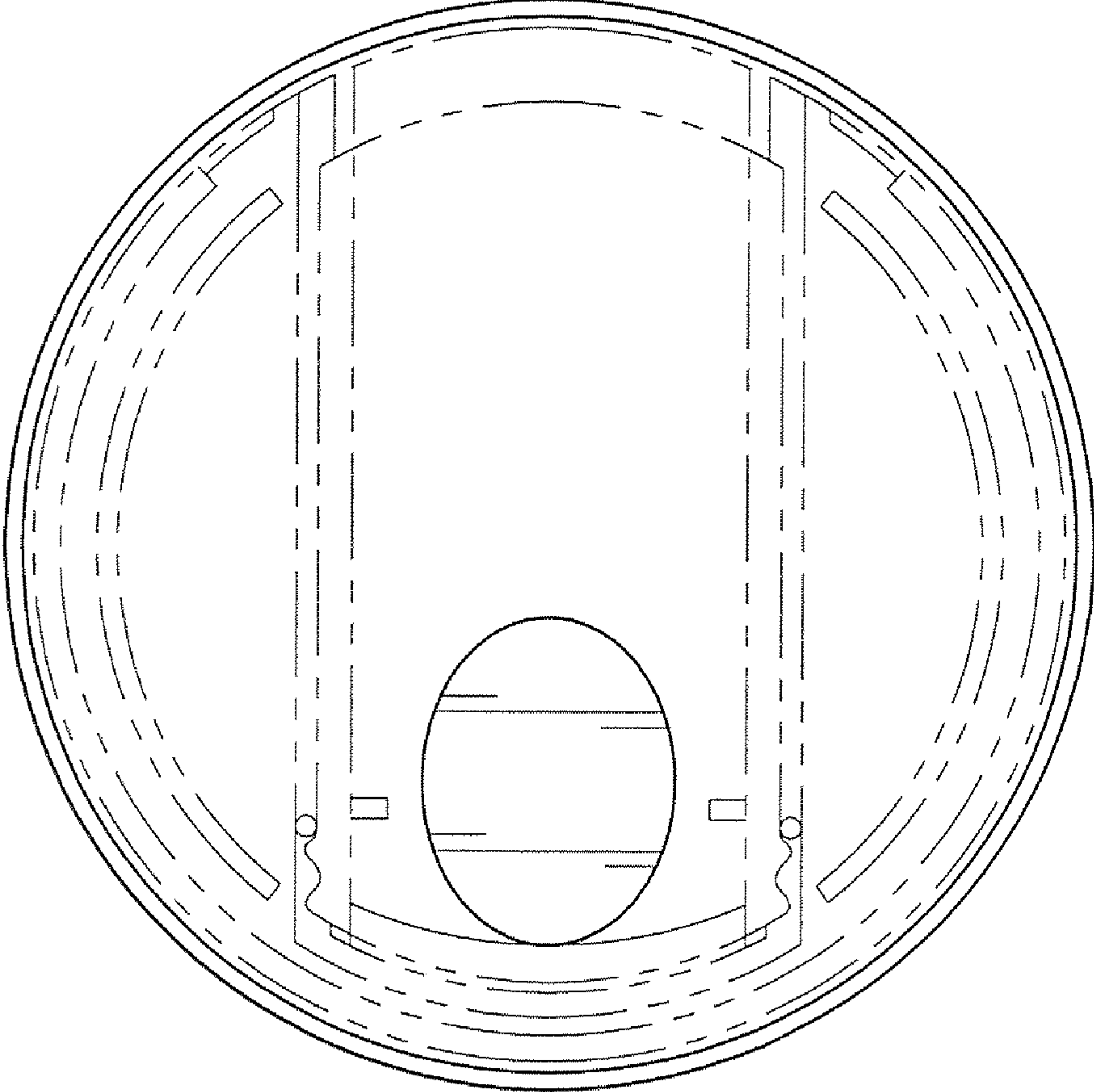


FIG. 6

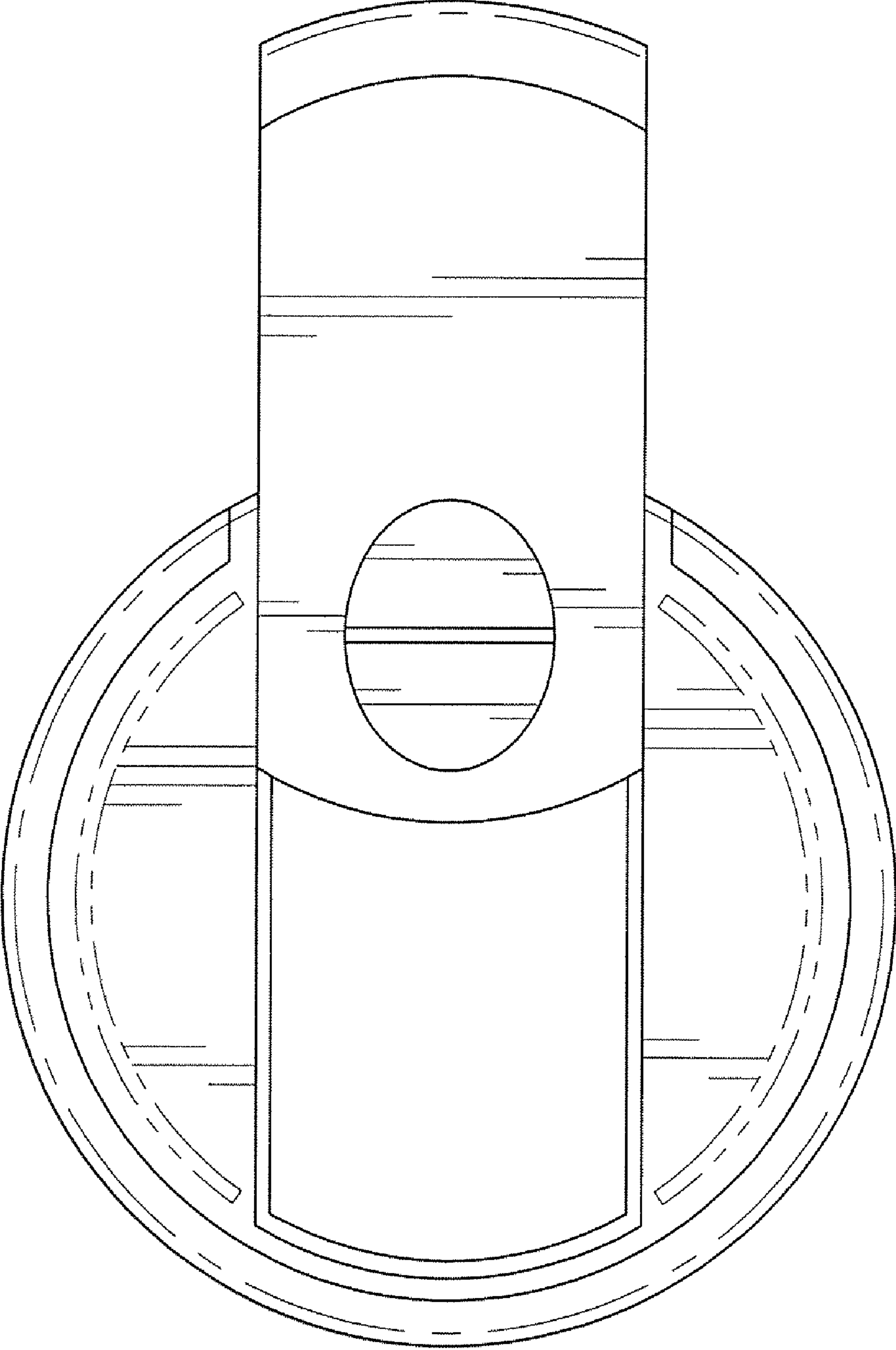


FIG. 7

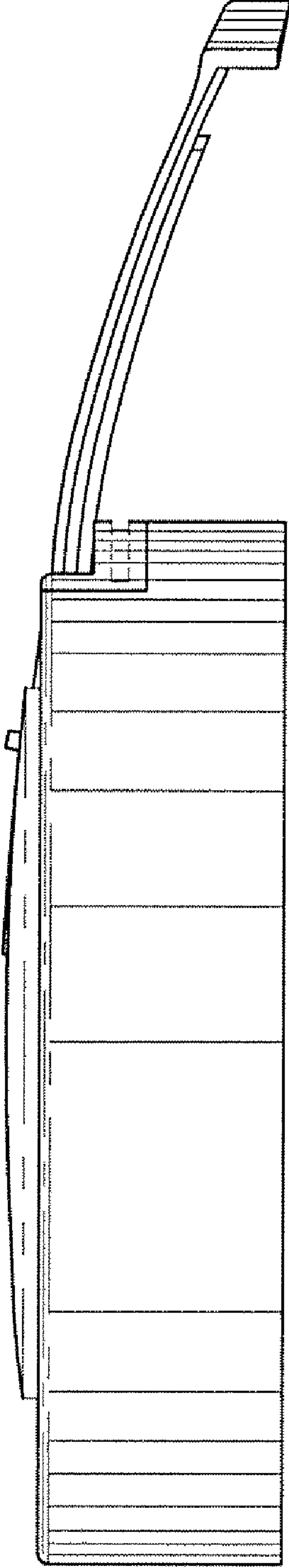


FIG. 8

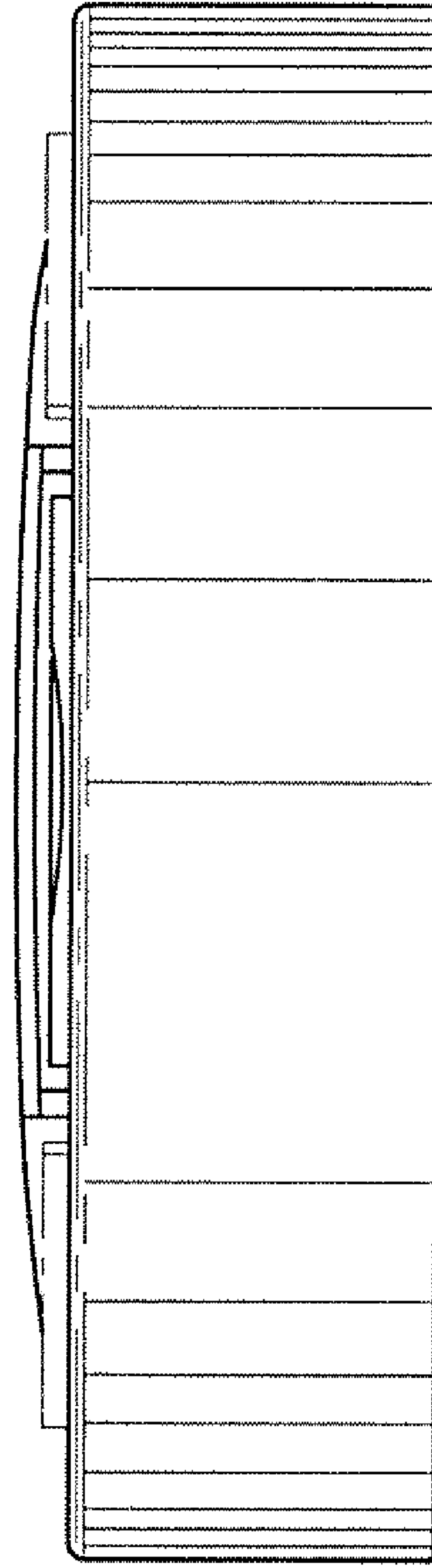


FIG. 9

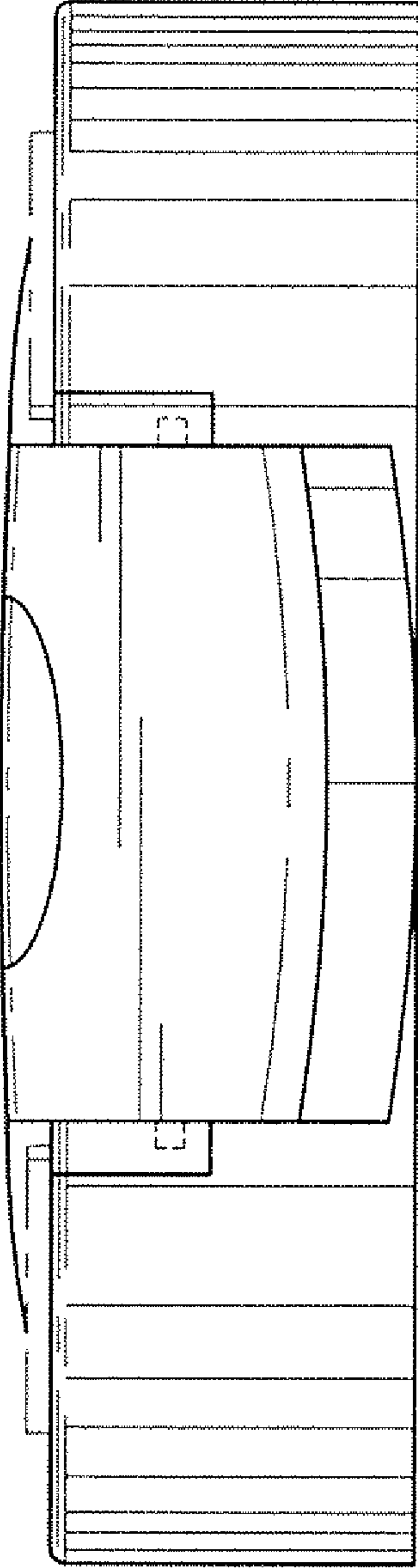


FIG. 10

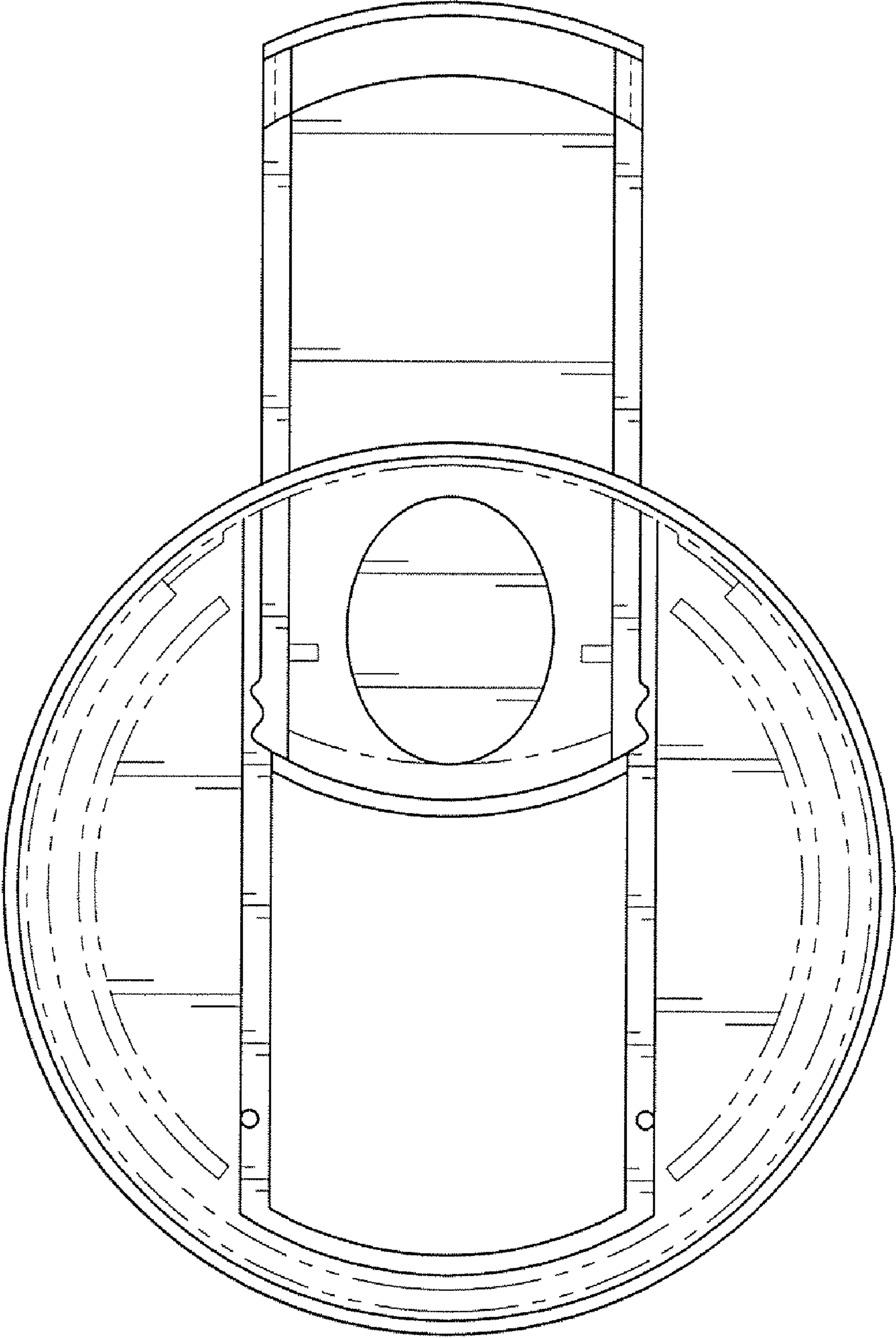


FIG. 11