

US00D566548S

(12) **United States Design Patent**  
**Delaney**

(10) **Patent No.:** **US D566,548 S**  
(45) **Date of Patent:** **\*\* Apr. 15, 2008**

(54) **CONTAINER**

(75) Inventor: **Lindsay Delaney**, Chicago, IL (US)

(73) Assignee: **The Quaker Oats Company**, Chicago, IL (US)

(\*\*) Term: **14 Years**

(21) Appl. No.: **29/282,544**

(22) Filed: **Jul. 23, 2007**

4,613,046 A	9/1986	Kuchenbecker
4,715,528 A	12/1987	Kjelgaard et al.
4,732,315 A	3/1988	Gunn
4,790,436 A *	12/1988	Nakamura ..... 206/449
4,852,764 A	8/1989	Stone
4,858,793 A	8/1989	Stone
4,863,036 A *	9/1989	Heijenga ..... 229/123.1
4,880,155 A	11/1989	Stone
4,887,718 A	12/1989	Anderson et al.
4,930,683 A	6/1990	Farber
4,949,899 A	8/1990	Stone
4,953,707 A	9/1990	Wein

**Related U.S. Application Data**

(62) Division of application No. 29/243,447, filed on Nov. 23, 2005.

(51) **LOC (8) Cl.** ..... **09-07**

(52) **U.S. Cl.** ..... **D9/438; D9/416**

(58) **Field of Classification Search** ..... D9/414-417, D9/434-440, 529; 229/215, 123.1, 125.8-125.14, 229/125.17, 125.42, 131.1, 160.2; 222/528, 222/531, 541.5, 153.07; 206/449, 494, 525  
See application file for complete search history.

(56) **References Cited**

**U.S. PATENT DOCUMENTS**

2,213,200 A *	9/1940	Brainard	.....	222/528
2,288,042 A	6/1942	Spilman		
2,546,052 A	3/1951	Wilkins		
2,742,220 A *	4/1956	Lynes	.....	229/125.42
2,820,585 A *	1/1958	Nerenberg et al.	.....	229/221
2,903,175 A	9/1959	Peimer		
2,983,422 A *	5/1961	Miller, Jr.	.....	229/234
3,017,065 A *	1/1962	Collie	.....	229/125.42
3,186,623 A *	6/1965	Guyer	.....	229/207
3,250,436 A	5/1966	Kurtz		
3,362,612 A *	1/1968	Mohler	.....	229/215
3,438,555 A *	4/1969	Pierre	.....	222/528
3,563,447 A *	2/1971	Katzenmeyer	.....	229/208
3,964,670 A *	6/1976	Amneus	.....	229/123.1
3,989,171 A	11/1976	Arneson		
4,150,778 A	4/1979	Engdahl, Jr.		
4,360,121 A	11/1982	Helms		
4,577,762 A	3/1986	Kuchenbecker		

(Continued)

*Primary Examiner*—Robert M. Spear  
*Assistant Examiner*—Susan E Krakower  
(74) *Attorney, Agent, or Firm*—Banner & Witcoff, Ltd.

(57) **CLAIM**

I claim the ornamental design for a container, as shown and described.

**DESCRIPTION**

FIG. 1 is a top perspective view of a container, showing the new design;

FIG. 2 is a rear view thereof;

FIG. 3 is a front view thereof.

FIG. 4 is a right side view thereof;

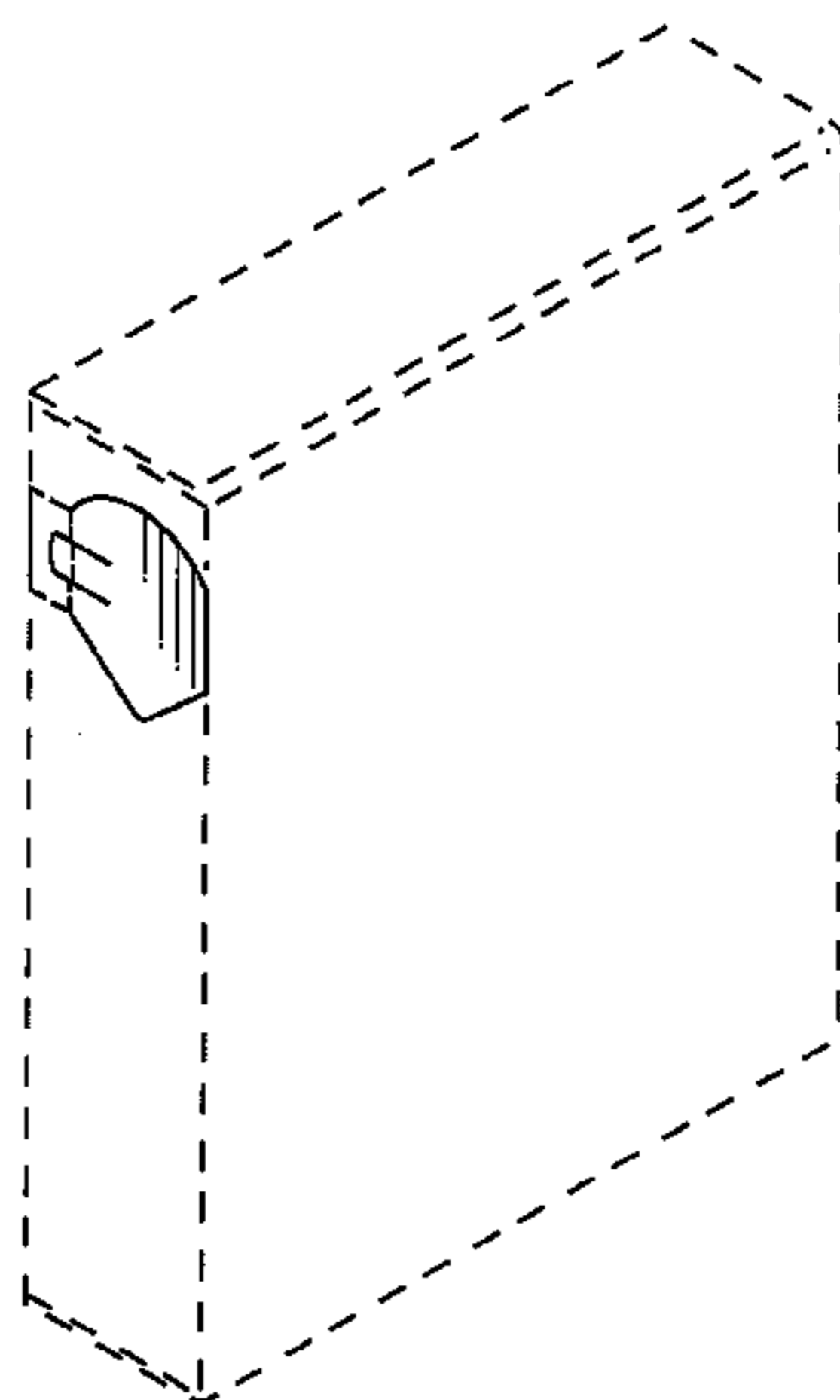
FIG. 5 is a left side view thereof;

FIG. 6 is a bottom view thereof; and,

FIG. 7 is a top view thereof.

The vertical dash line within the shaded area in FIGS. 1 and 5 represents an unclaimed perforation for opening a portion of the container. The horizontal dash lines immediately adjacent to the vertical dash line within the shaded area in FIGS. 1 and 5 represent unclaimed boundaries of the design. The remaining dash lines in FIGS. 1 through 7 represent environmental structure and form no part of the claimed design.

**1 Claim, 2 Drawing Sheets**



# US D566,548 S

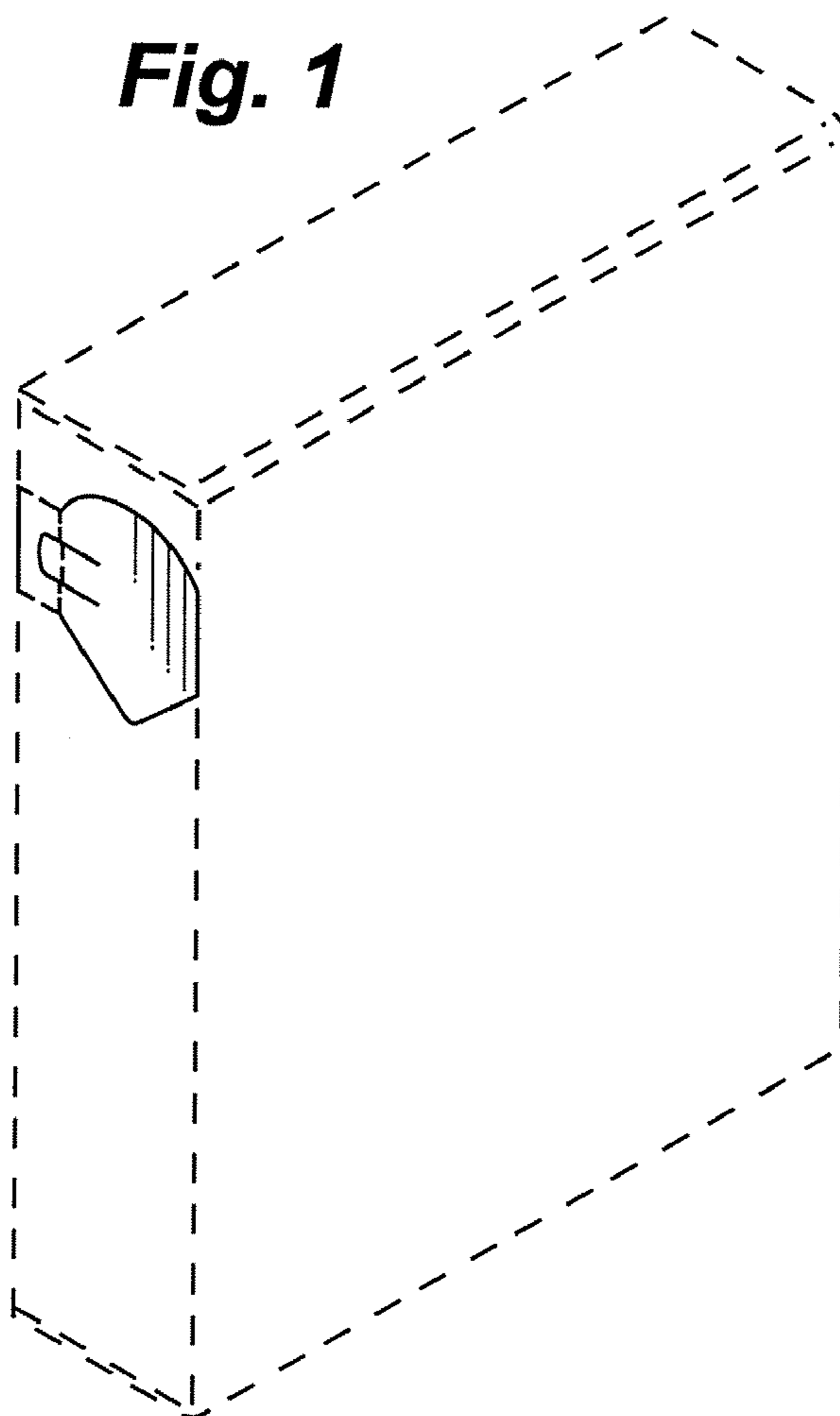
Page 2

## U.S. PATENT DOCUMENTS

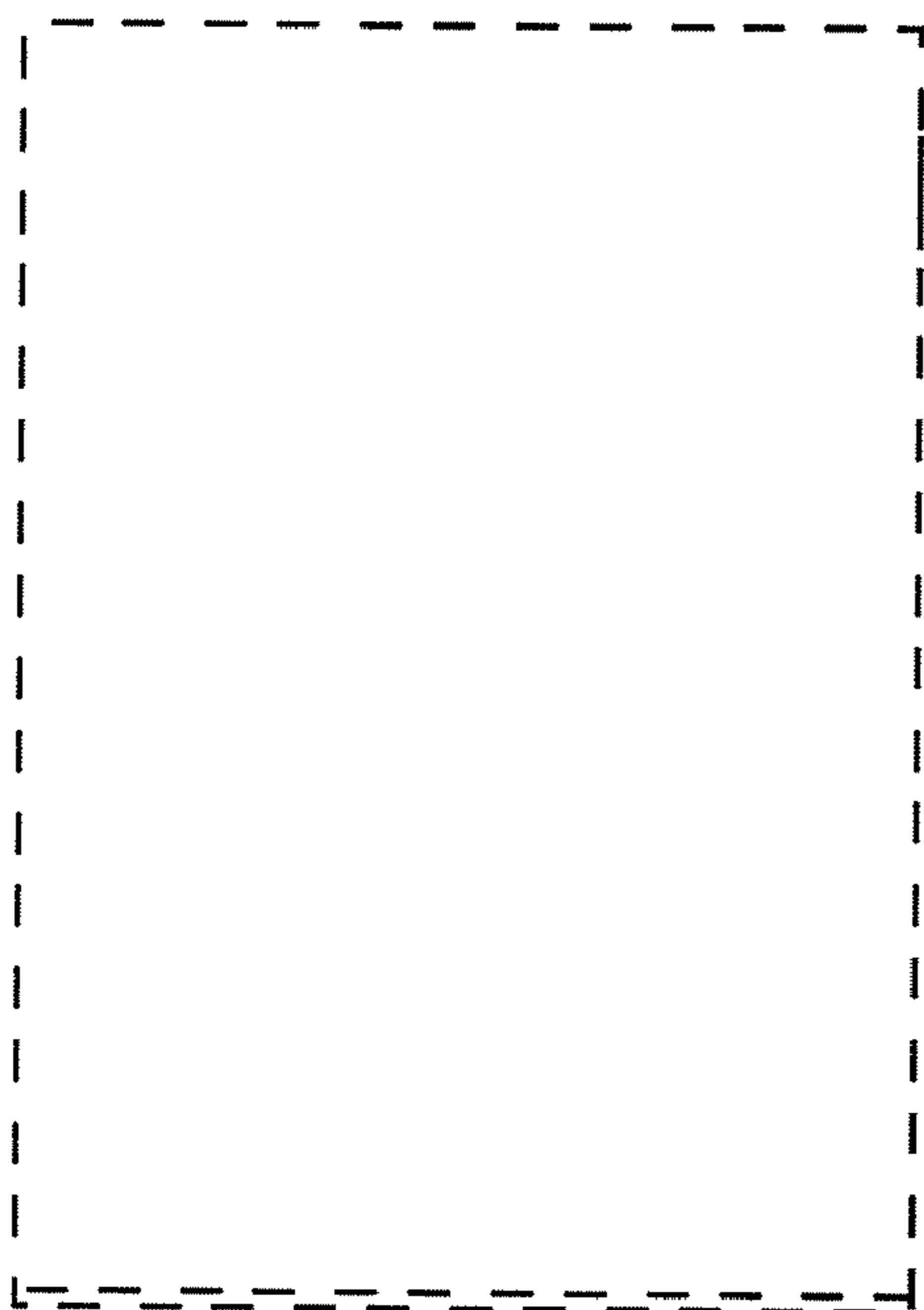
4,953,781	A	9/1990	Bryan	6,688,515	B1	2/2004	Huffman et al.
4,981,256	A	1/1991	Giblin et al.	6,698,650	B2	3/2004	Laker et al.
4,990,200	A	2/1991	Heinz	6,889,892	B2	5/2005	Walsh et al.
5,101,999	A	4/1992	Robichaud et al.	6,945,449	B2	9/2005	Hengami
5,135,159	A	8/1992	Giblin et al.	D515,915	S *	2/2006	Karim ..... D9/416
5,145,111	A	9/1992	Giblin	D526,891	S *	8/2006	Goldstein et al. .... D9/417
D379,062	S *	5/1997	Kinyon-Samec ..... D9/623	2002/0066777	A1	6/2002	Laker et al.
D394,208	S *	5/1998	Rutledge ..... D9/417	2002/0185527	A1	12/2002	Bates
5,816,486	A	10/1998	Wein	2003/0085265	A1 *	5/2003	Haim ..... 229/123.1
D420,917	S *	2/2000	Dolce ..... D9/782	2004/0065722	A1	4/2004	Pantelleria
D444,381	S *	7/2001	Barr ..... D9/416	2004/0069843	A1	4/2004	Huffman et al.
6,394,339	B1	5/2002	Giblin	2004/0091184	A1	5/2004	Miller

\* cited by examiner

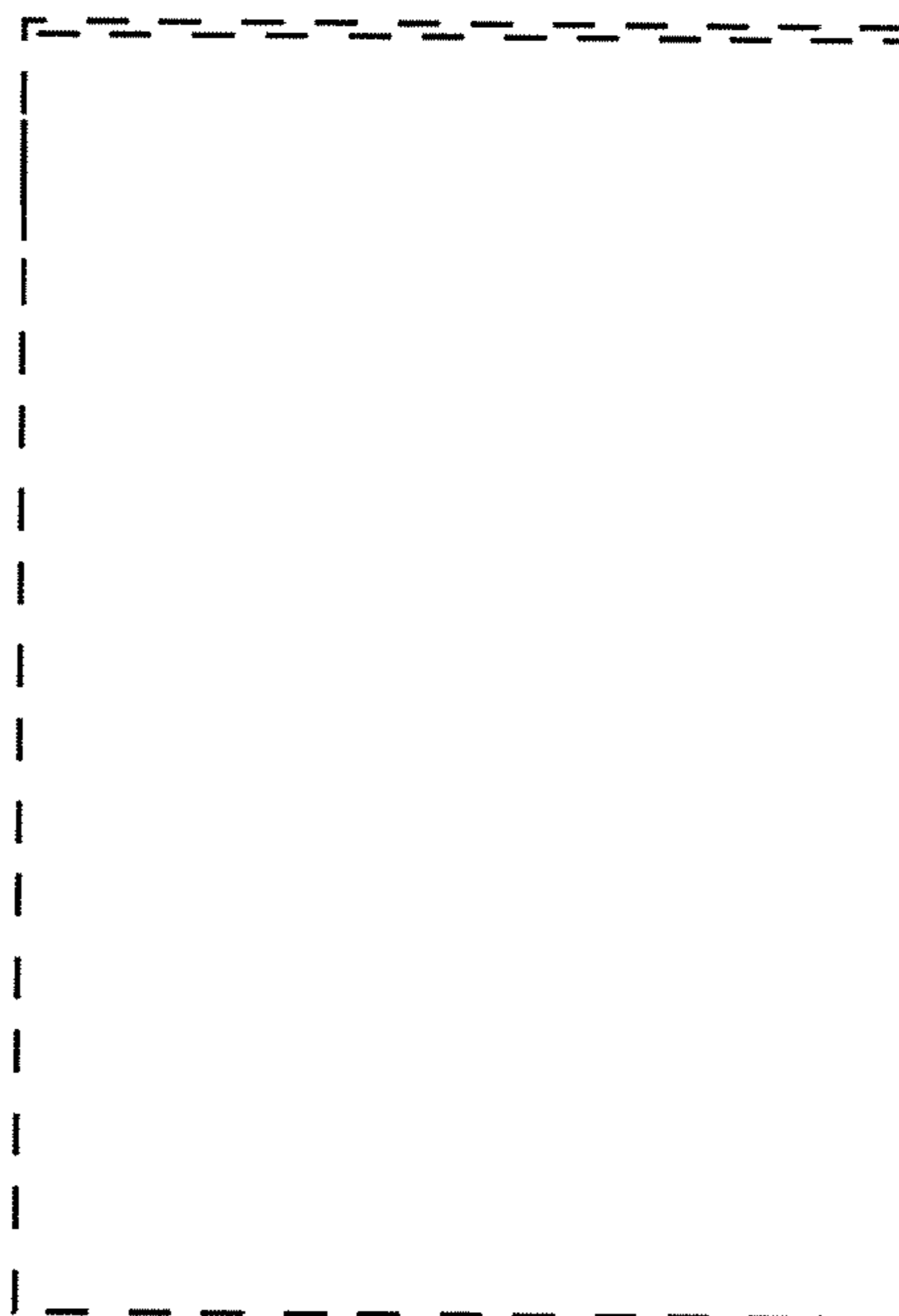
**Fig. 1**



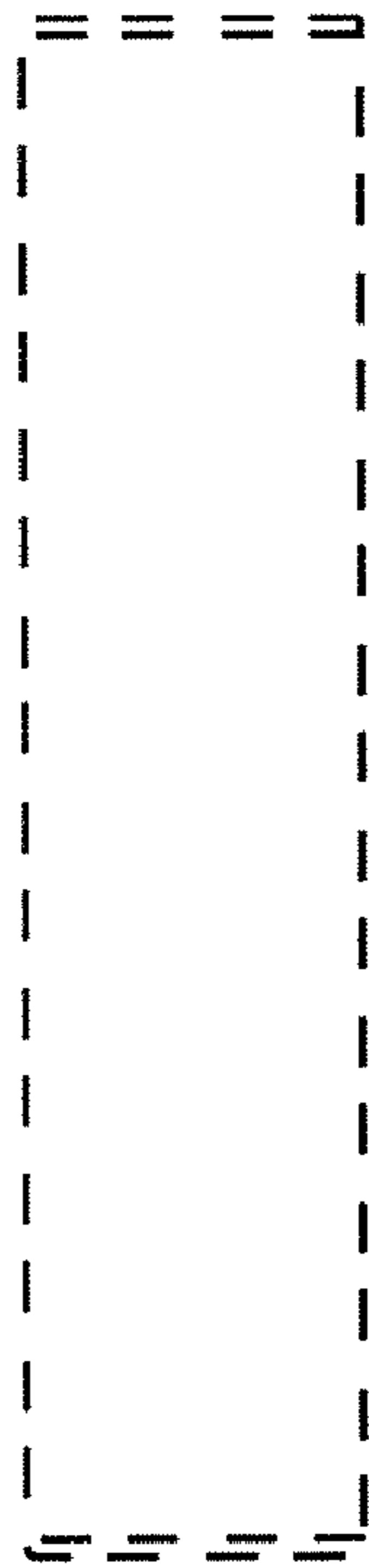
**Fig. 2**



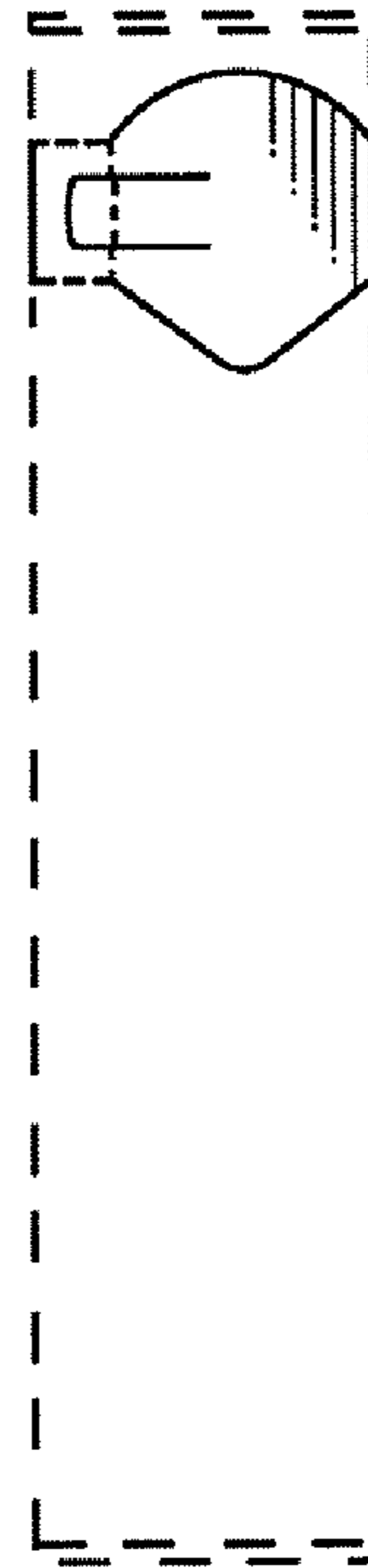
**Fig. 3**



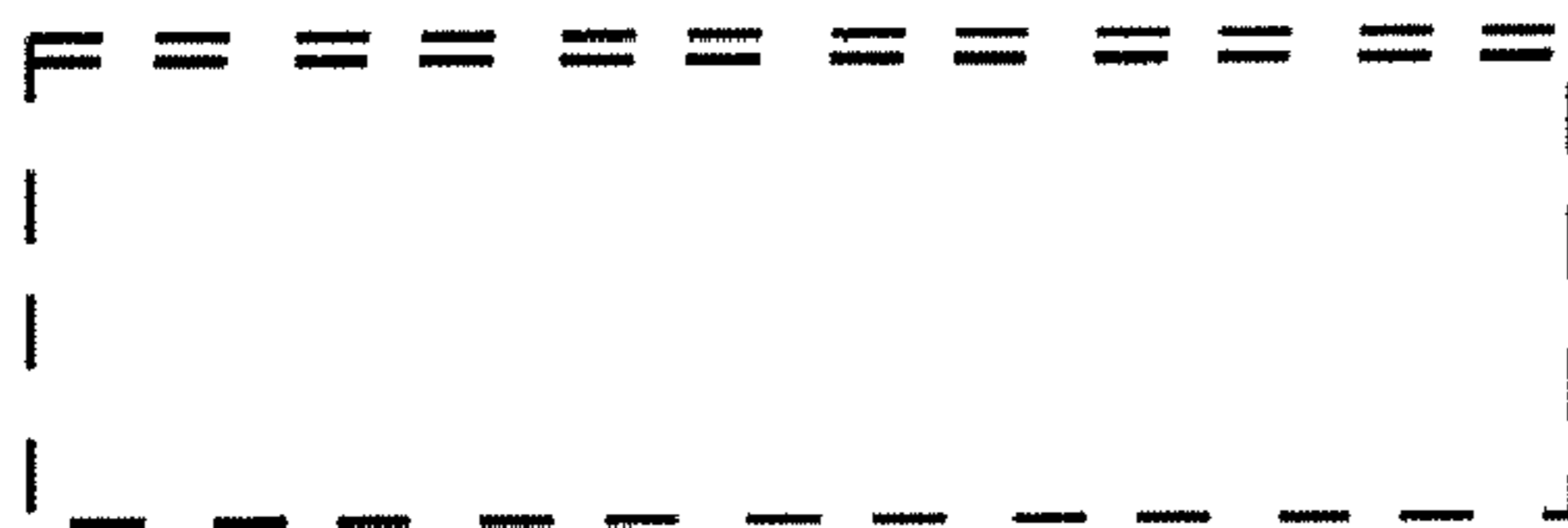
**Fig. 4**



**Fig. 5**



**Fig. 6**



**Fig. 7**

