

US00D566547S

(12) **United States Design Patent**  
**Lacov**

(10) **Patent No.:** **US D566,547 S**

(45) **Date of Patent:** **\*\* Apr. 15, 2008**

(54) **SOAP BAG FITMENT**

2005/0150917 A1\* 7/2005 Dicks et al. .... 222/566

(75) Inventor: **Sean Lacov**, Boca Raton, FL (US)

\* cited by examiner

(73) Assignee: **Sunbeam Products, Inc.**, Boca Raton, FL (US)

*Primary Examiner*—Gary D. Watson

*Assistant Examiner*—Susan Bennett Hattan

(74) *Attorney, Agent, or Firm*—Lawrence J. Shurupoff

(\*\*) Term: **14 Years**

(57) **CLAIM**

(21) Appl. No.: **29/286,362**

The ornamental design for a soap bag fitment, as shown and described.

(22) Filed: **May 2, 2007**

(51) **LOC (8) Cl.** ..... **09-07**

(52) **U.S. Cl.** ..... **D9/435**

(58) **Field of Classification Search** ..... D9/708,  
D9/503, 455, 453, 445, 439; D23/252, 250;  
222/567, 212, 92, 556; 215/223, 211, 208,  
215/201, 200; 220/1.6; 141/346

See application file for complete search history.

**DESCRIPTION**

FIG. 1 is a top front right perspective view of the soap bag fitment showing the new design;

FIG. 2 is a front elevation view thereof;

FIG. 3 is a left side elevation view thereof;

FIG. 4 is a rear elevation view thereof;

FIG. 5 is a right side elevation view thereof; and,

FIG. 6 is a top plan view thereof.

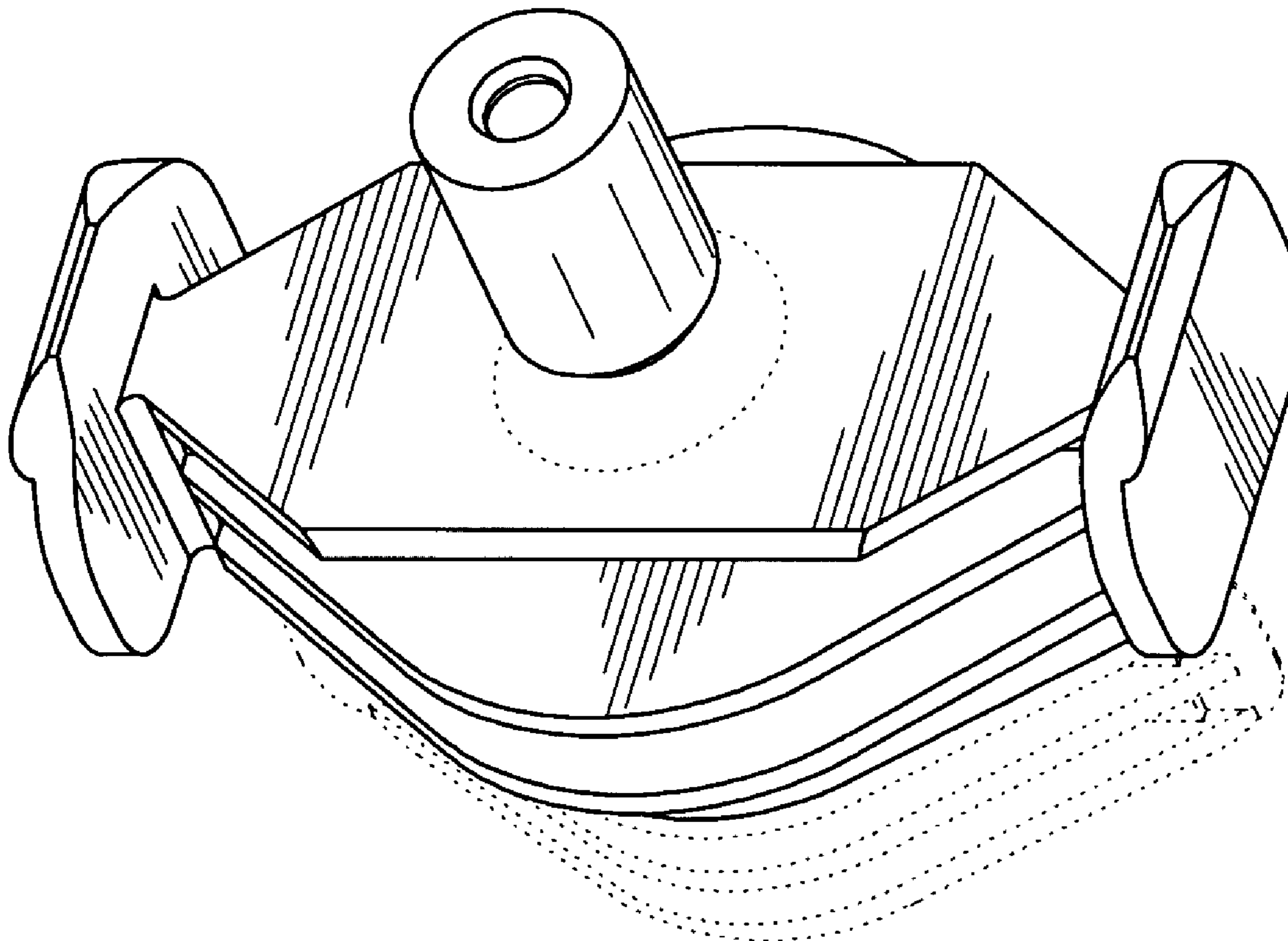
The broken lines in the drawings are for illustrative purposes only and form no part of the claimed design.

(56) **References Cited**

**U.S. PATENT DOCUMENTS**

- 6,439,429 B1\* 8/2002 Gross ..... 222/92
- 6,860,406 B2\* 3/2005 Kobetsky et al. .... 222/92
- 7,278,545 B2\* 10/2007 Costin et al. .... 220/1.6

**1 Claim, 6 Drawing Sheets**



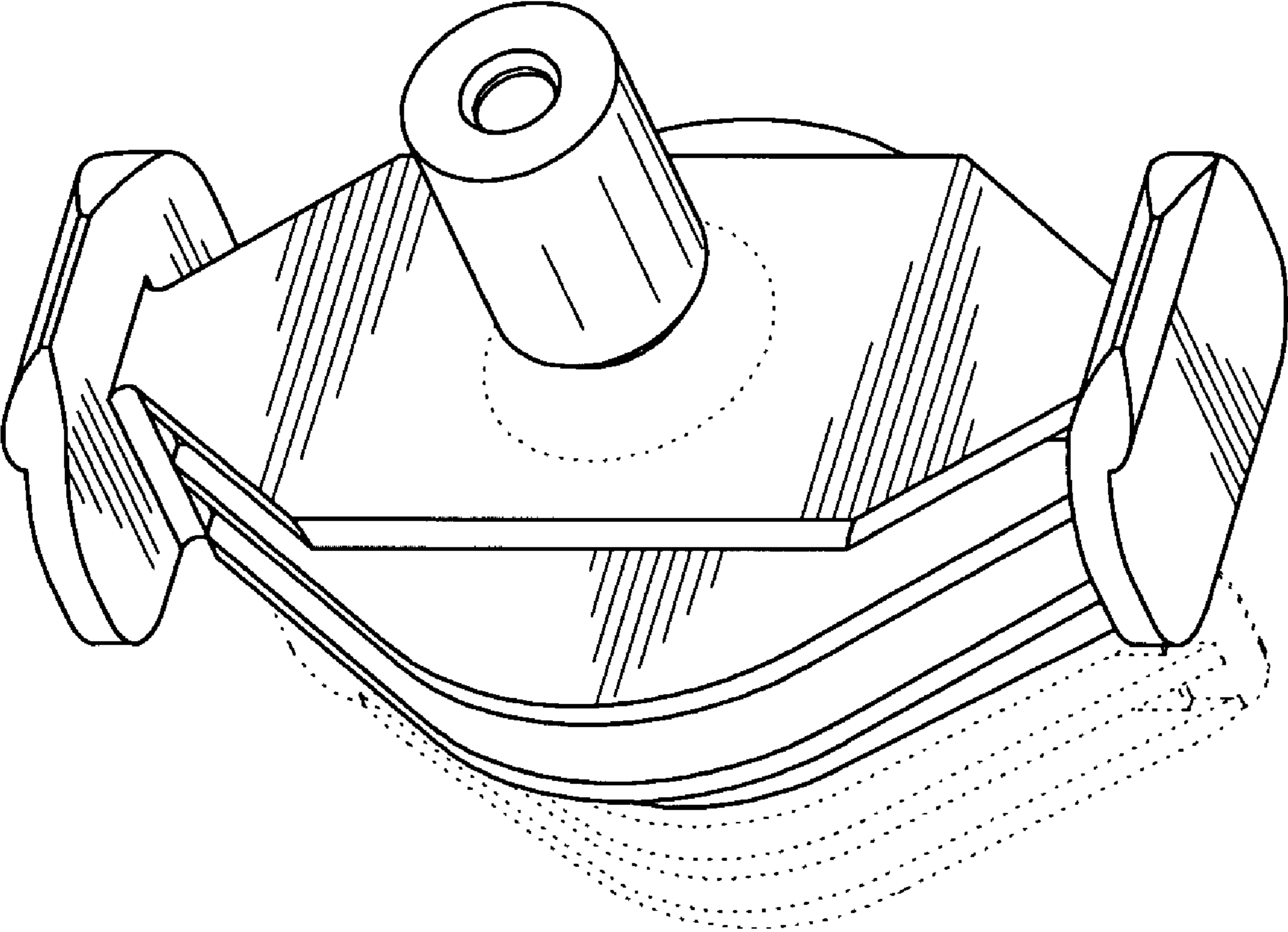


FIG 1

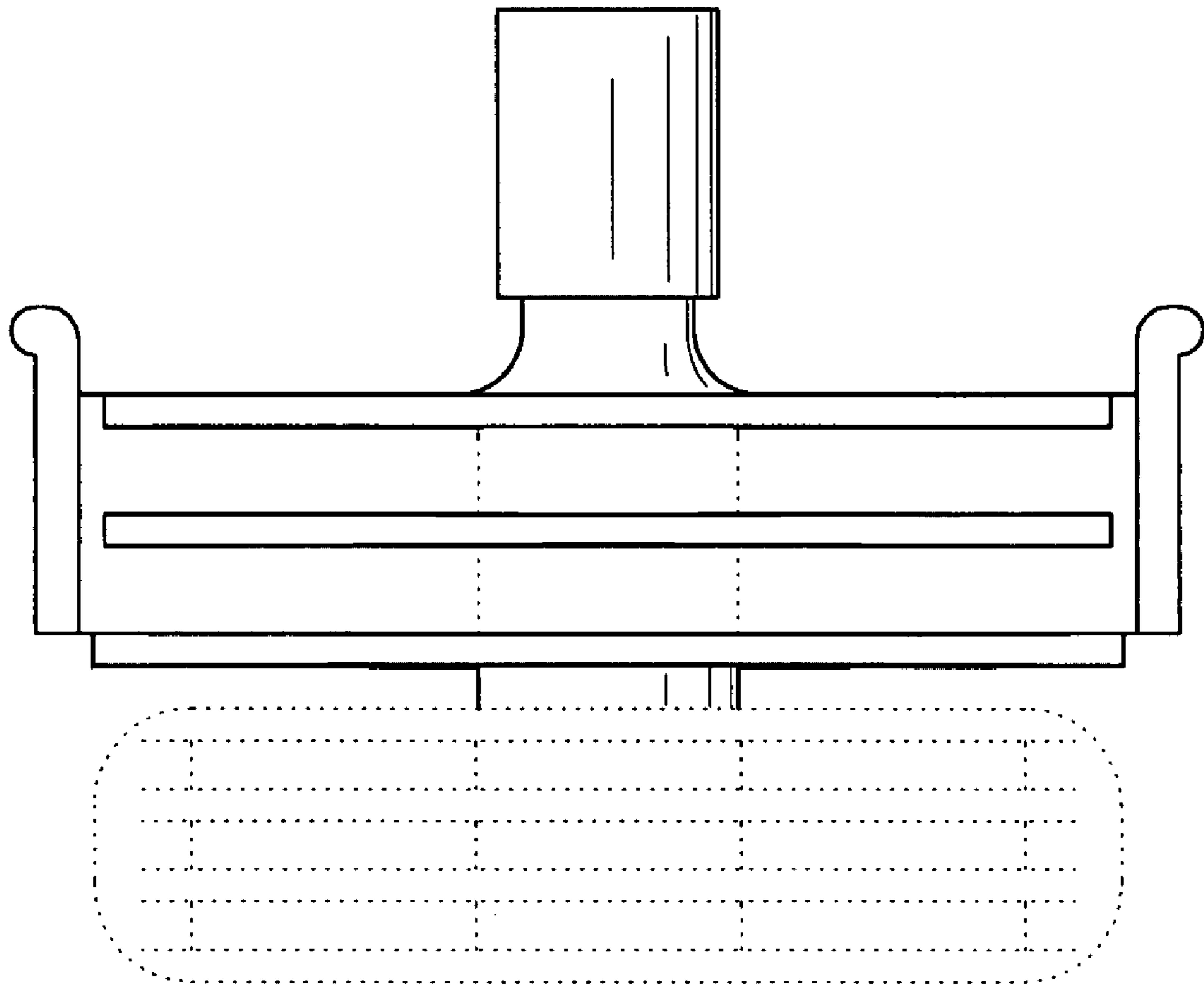


FIG 2

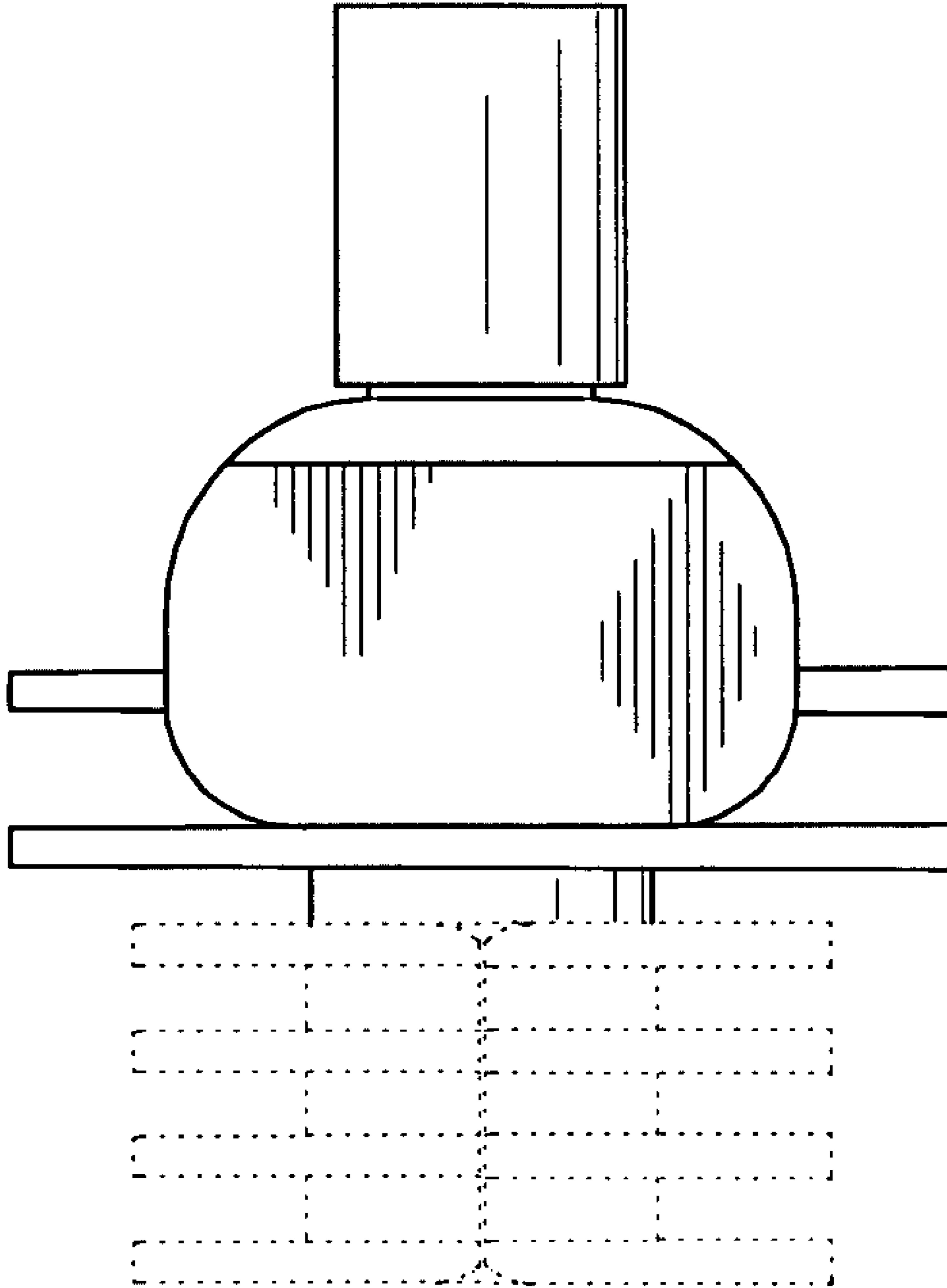


FIG 3

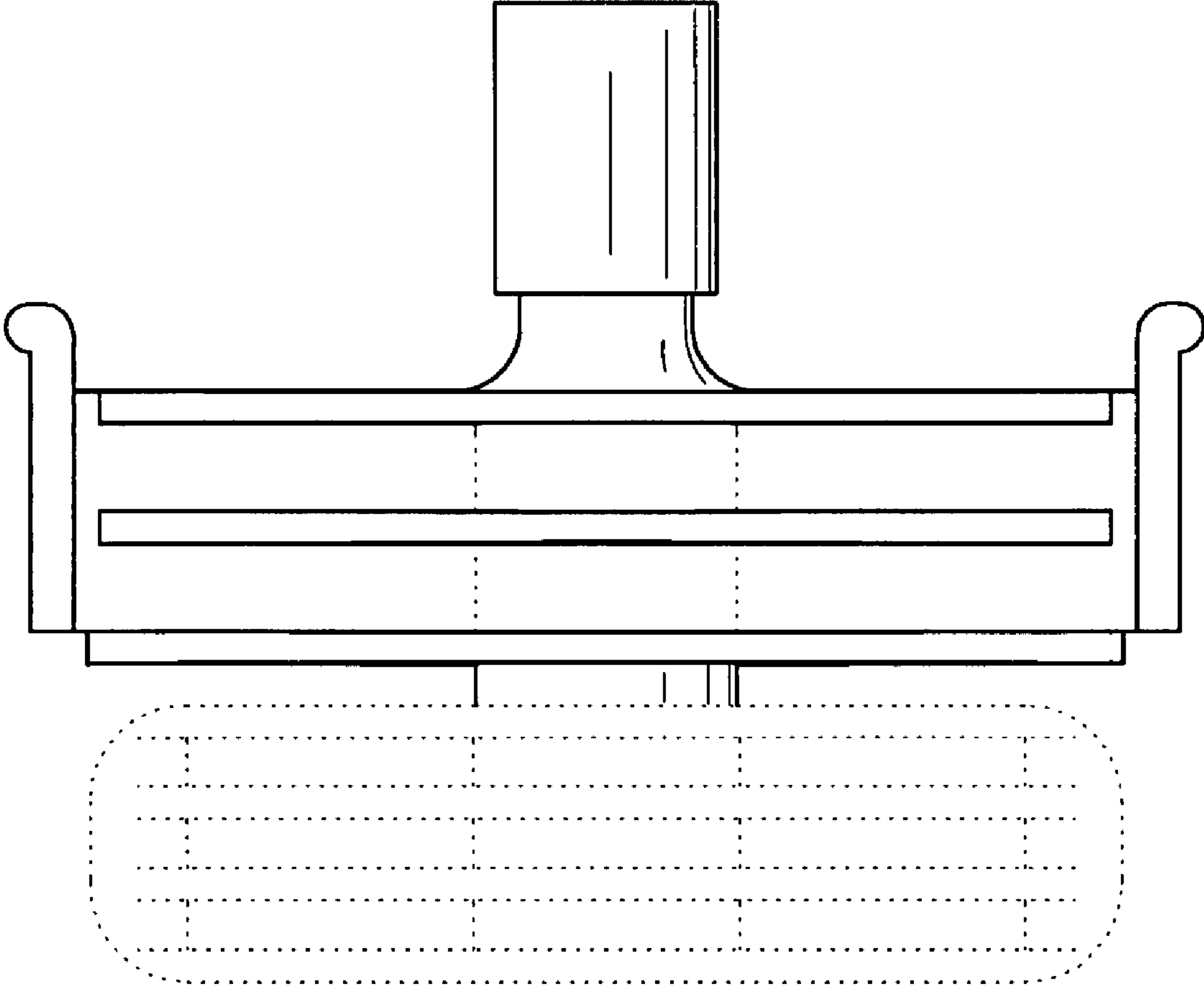


FIG 4

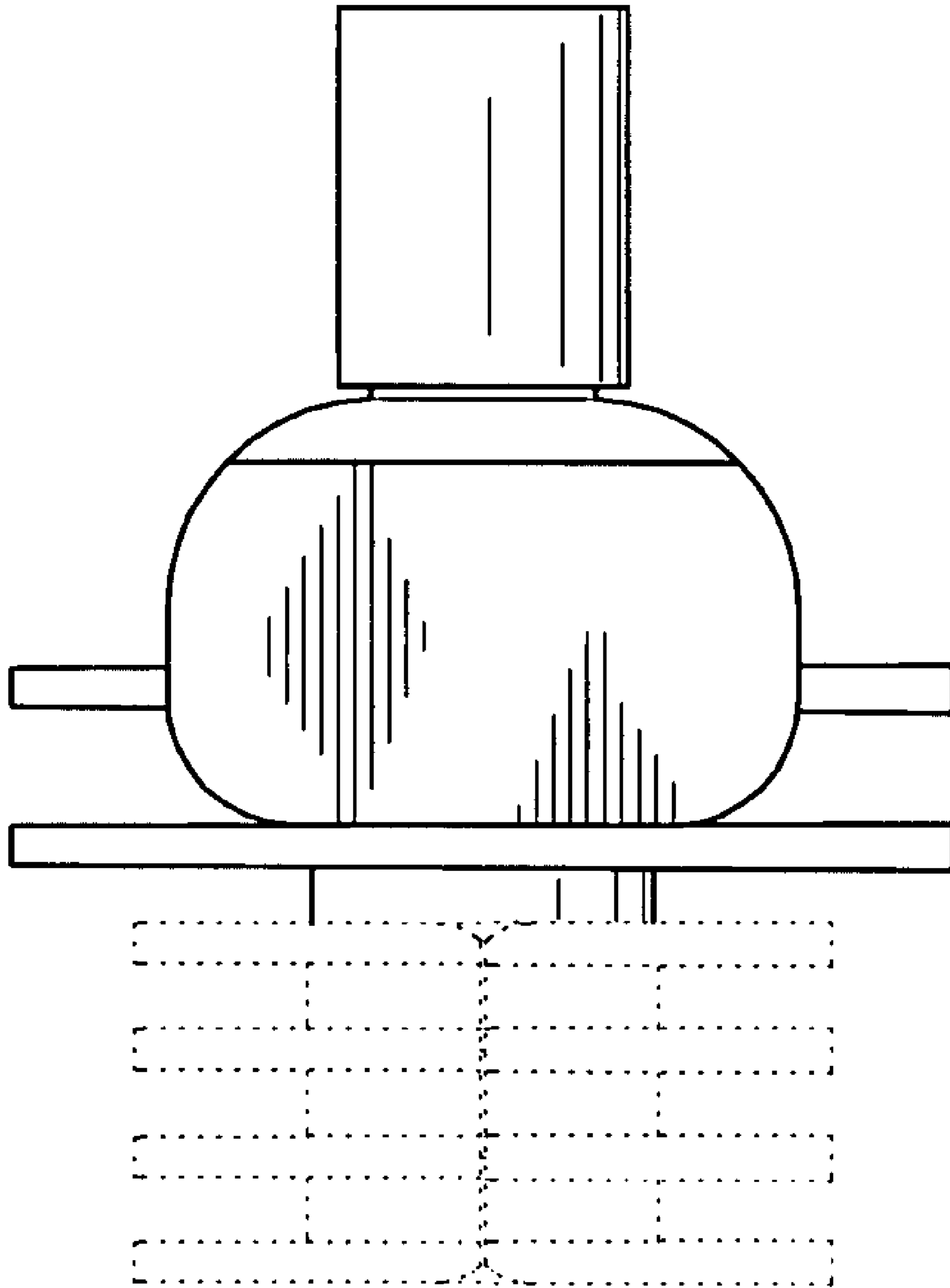


FIG 5

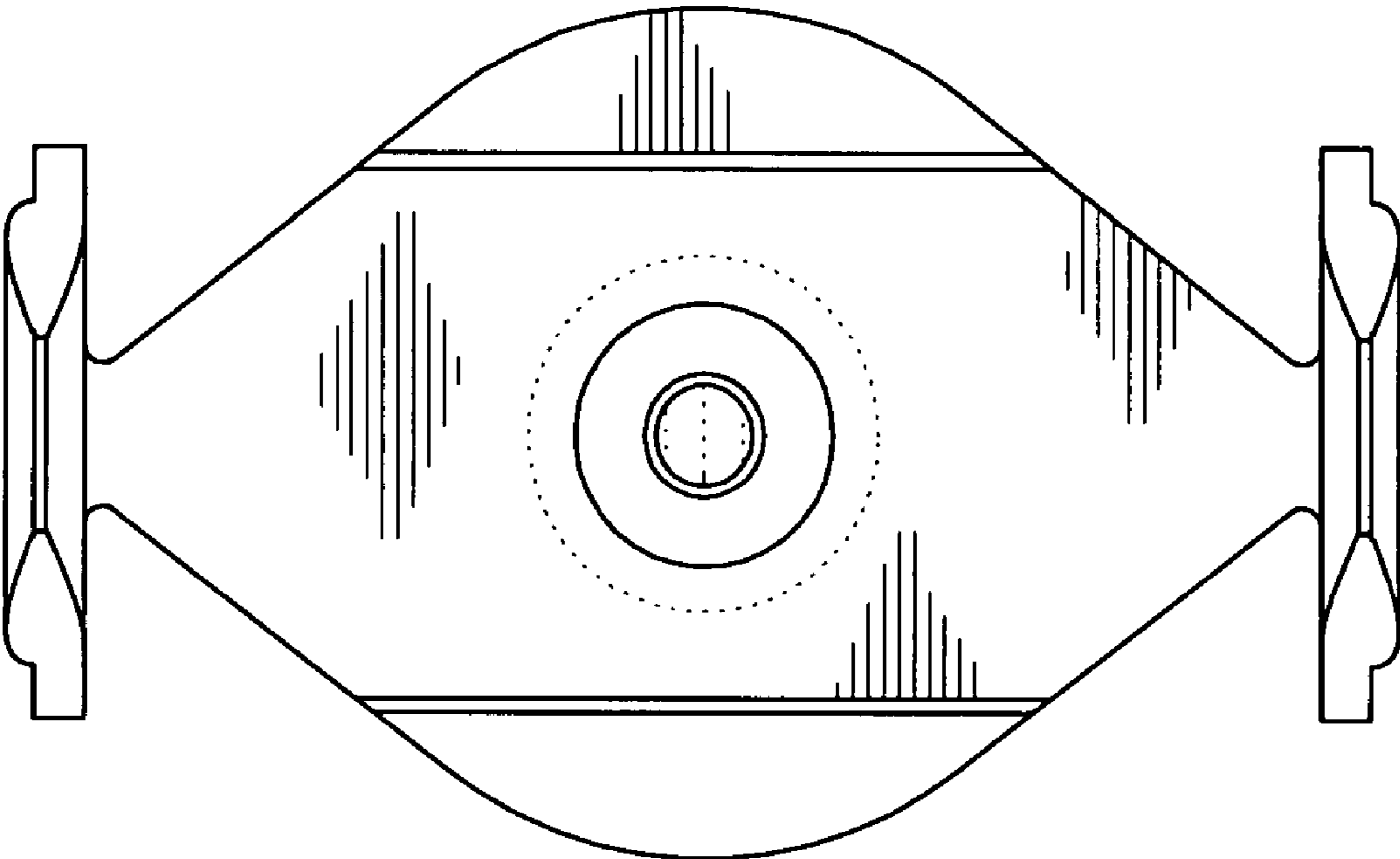


FIG 6