



US00D566543S

(12) **United States Design Patent**
Gedanke et al.

(10) **Patent No.: US D566,543 S**

(45) **Date of Patent: ** *Apr. 15, 2008**

(54) **VACUUM PUMP PACKAGE**

(75) Inventors: **Sergio Gedanke**, Brooklyn, NY (US);
Theresa Chee, Mineola, NY (US);
Carlo DiRusso, Bronx, NY (US)

(73) Assignee: **Alcoa Inc.**, Pittsburgh, PA (US)

(*) Notice: This patent is subject to a terminal disclaimer.

(**) Term: **14 Years**

(21) Appl. No.: **29/278,950**

(22) Filed: **Apr. 16, 2007**

(51) **LOC (8) Cl.** **09-03**

(52) **U.S. Cl.** **D9/418**; D9/425; D9/424

(58) **Field of Classification Search** D9/414,
D9/415, 418, 424, 425, 457; 206/461-471,
206/495, 806, 701-705, 769-776, 756, 486
See application file for complete search history.

(56) **References Cited**

U.S. PATENT DOCUMENTS

- D307,867 S * 5/1990 Lewis D9/424
- D352,236 S * 11/1994 Althaus D9/415
- D466,405 S * 12/2002 Lee D9/415
- D467,048 S 12/2002 Masaki

- D517,907 S * 3/2006 Lee et al. D9/415
- D525,823 S 8/2006 Littmann
- D543,843 S * 6/2007 Gehring et al. D9/425
- D548,069 S * 8/2007 Sagel et al. D9/425

* cited by examiner

Primary Examiner—Robert M. Spear

Assistant Examiner—Susan E Krakower

(74) *Attorney, Agent, or Firm*—Greenberg Traurig LLC;
James E. Goepel; John Wittenzellner

(57) **CLAIM**

The ornamental design for a vacuum pump package, as shown and described.

DESCRIPTION

FIG. 1 is a perspective view of a vacuum pump package, showing the present design;

FIG. 2 is a front elevational view thereof;

FIG. 3 is a rear elevational view thereof;

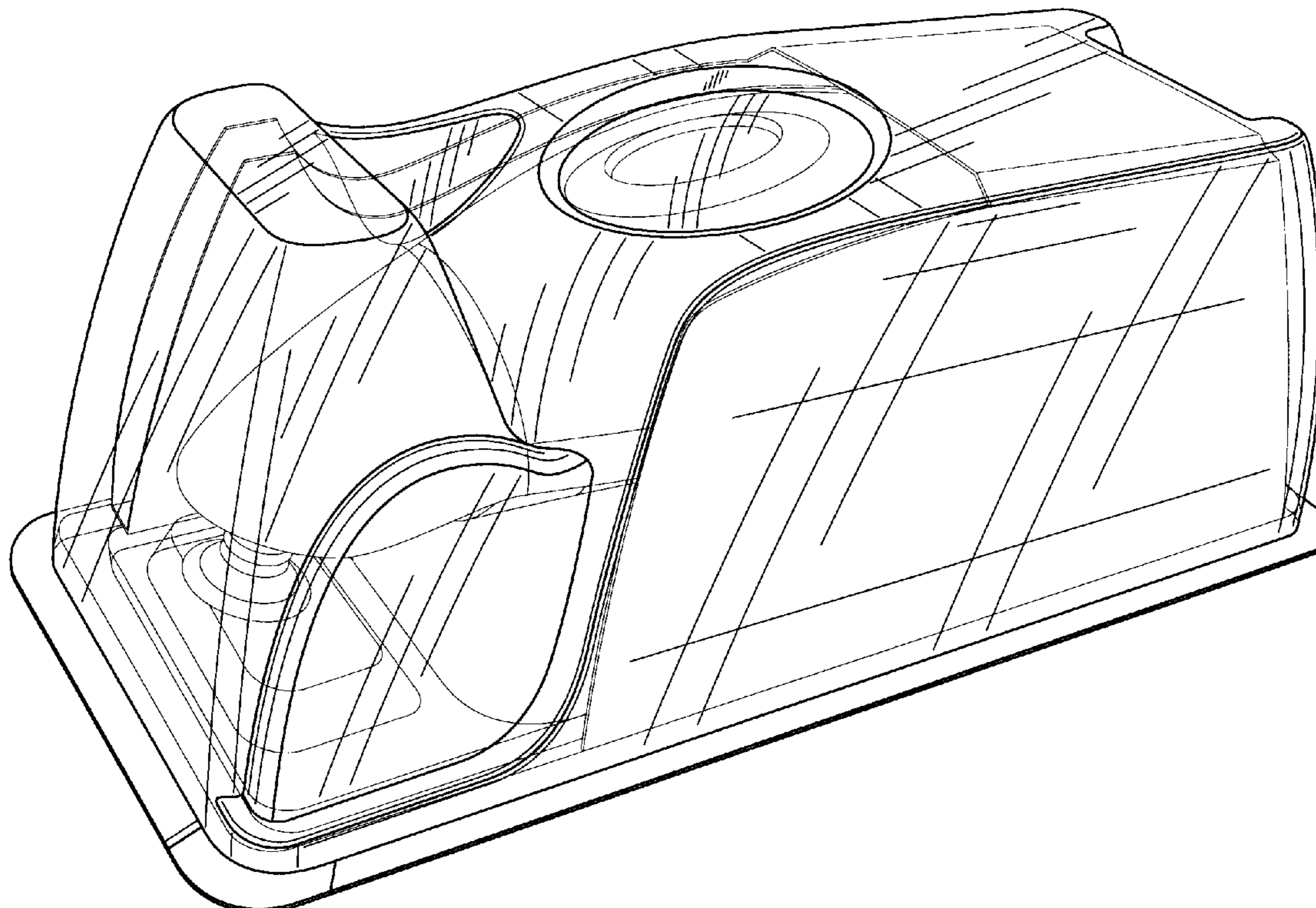
FIG. 4 is a left elevational view thereof;

FIG. 5 is a right elevational view thereof;

FIG. 6 is a top plan view thereof; and,

FIG. 7 is a bottom plan view thereof.

1 Claim, 6 Drawing Sheets



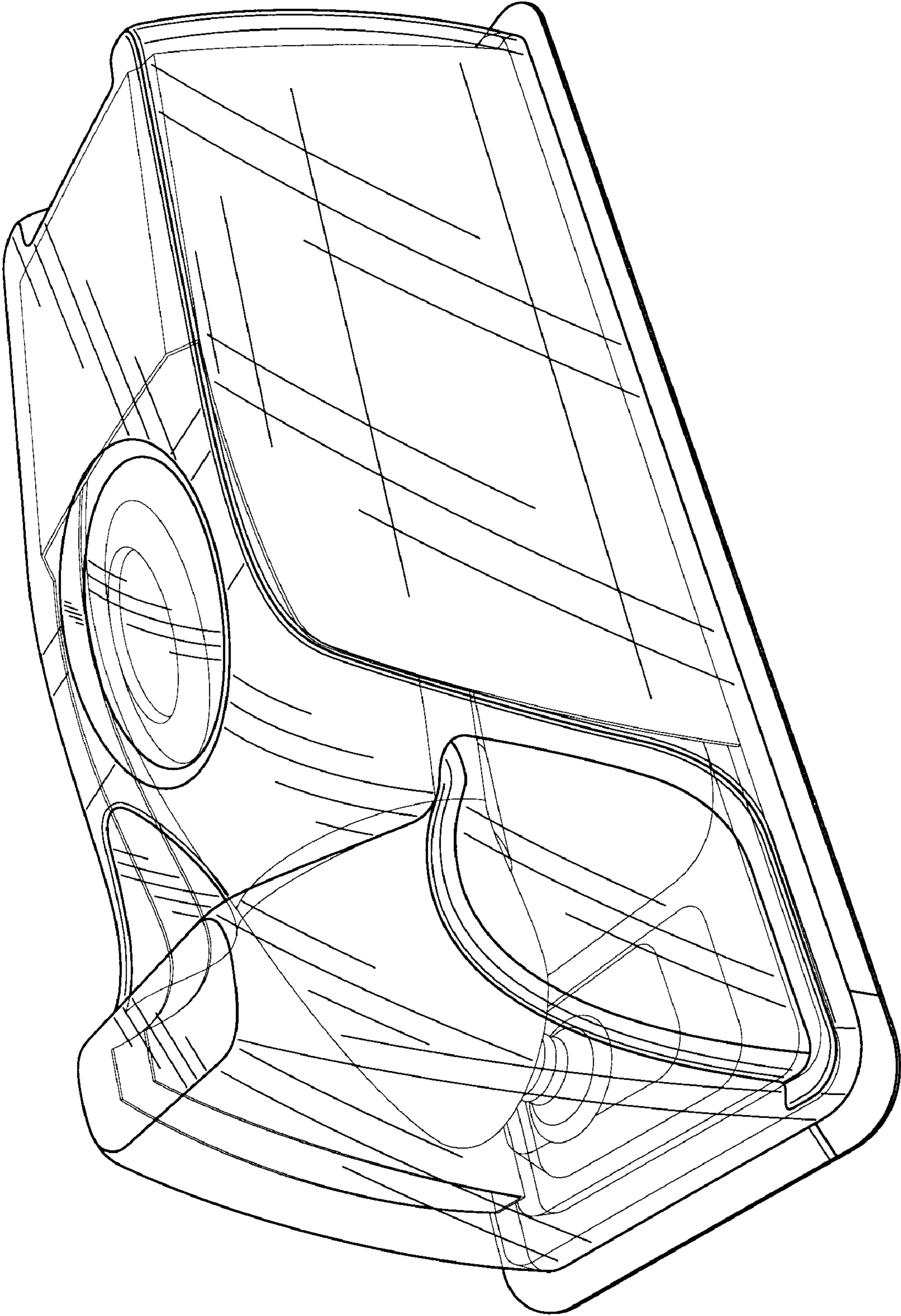


Figure 1

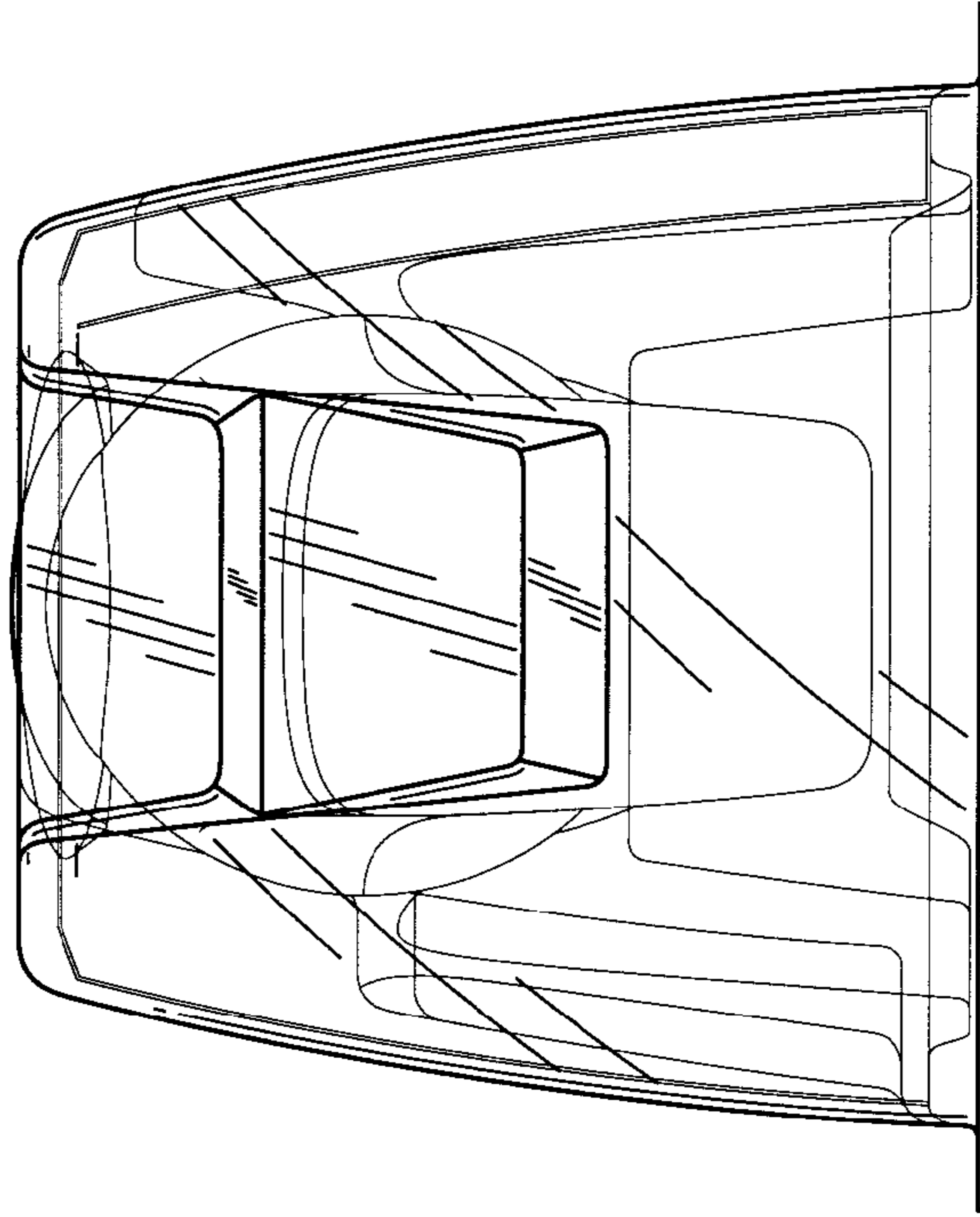


Figure 3

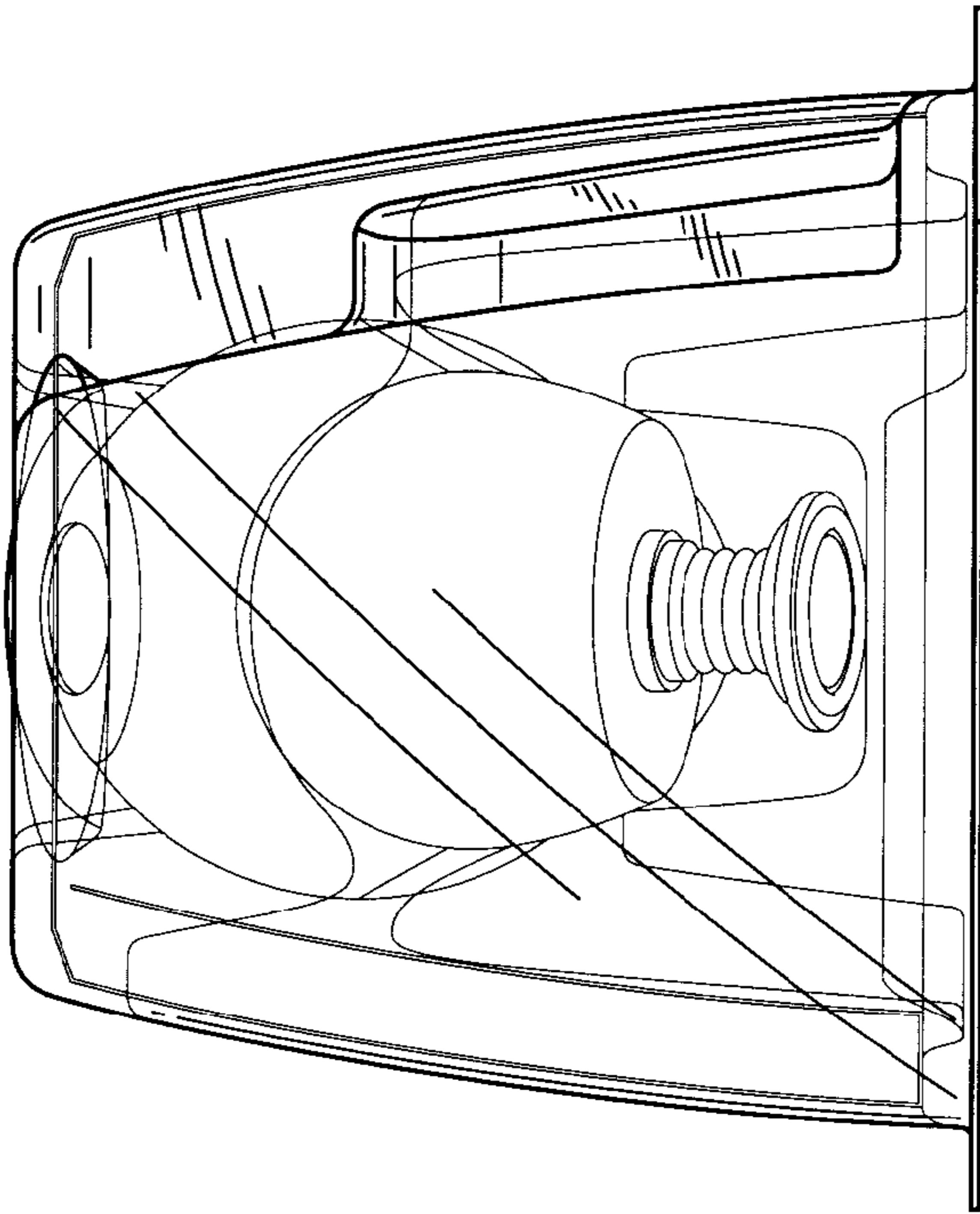


Figure 2

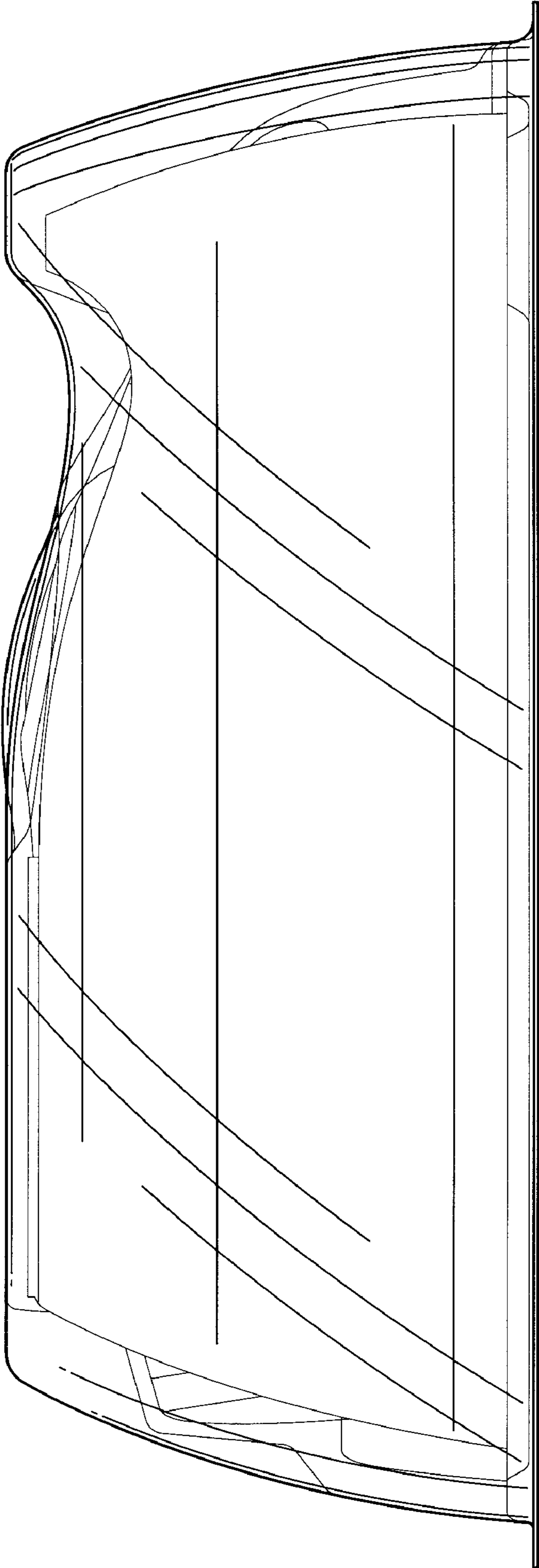


Figure 4

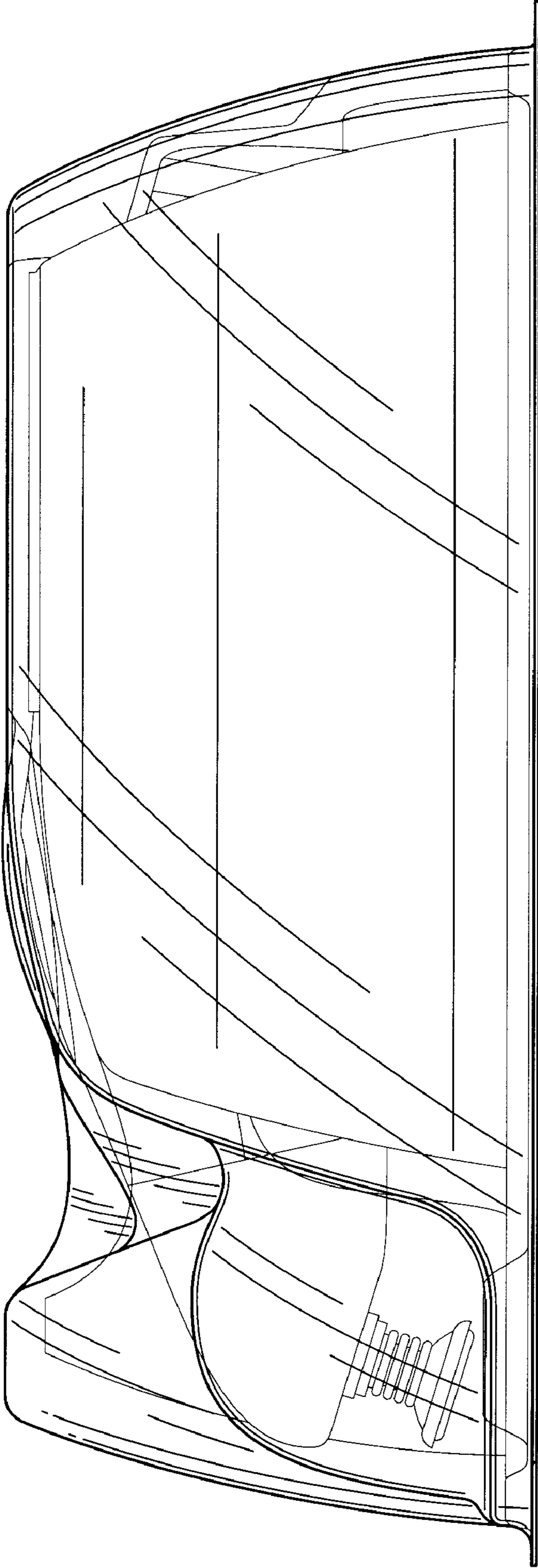


Figure 5

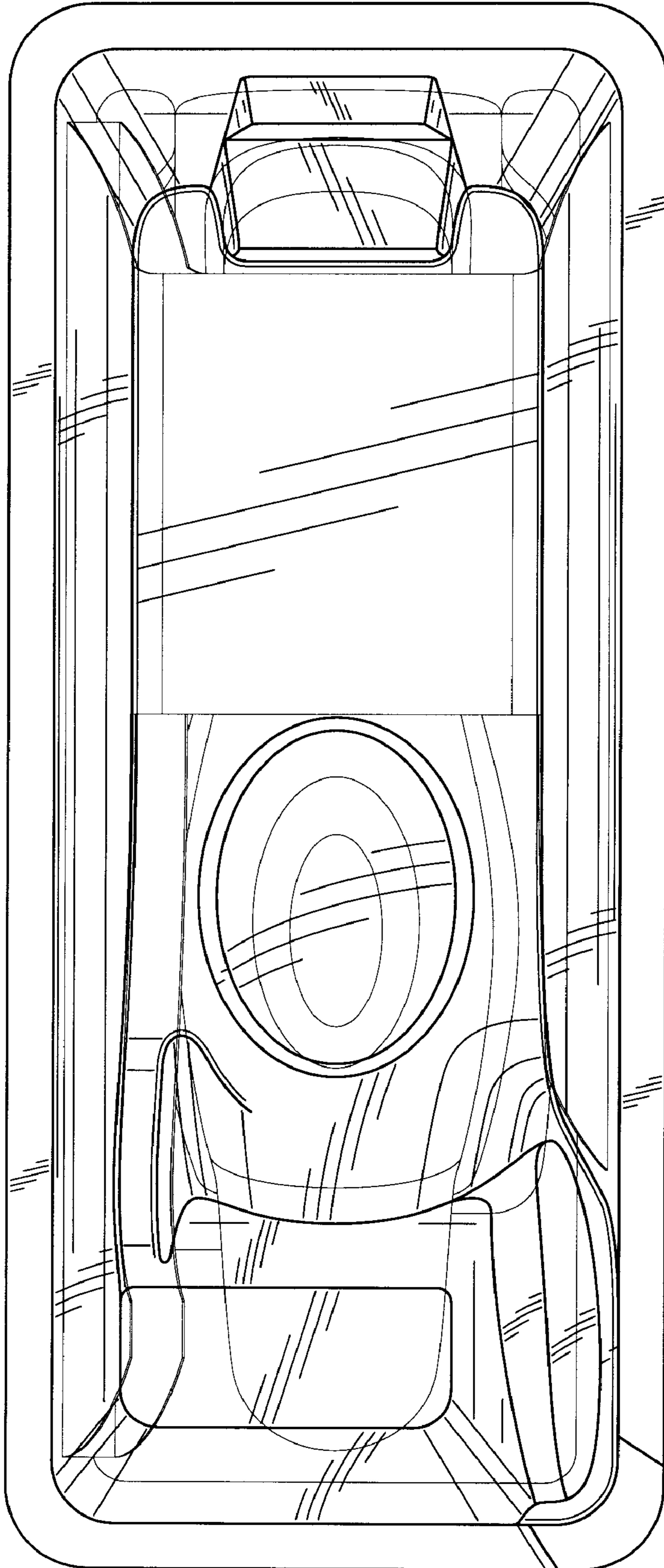


Figure 6

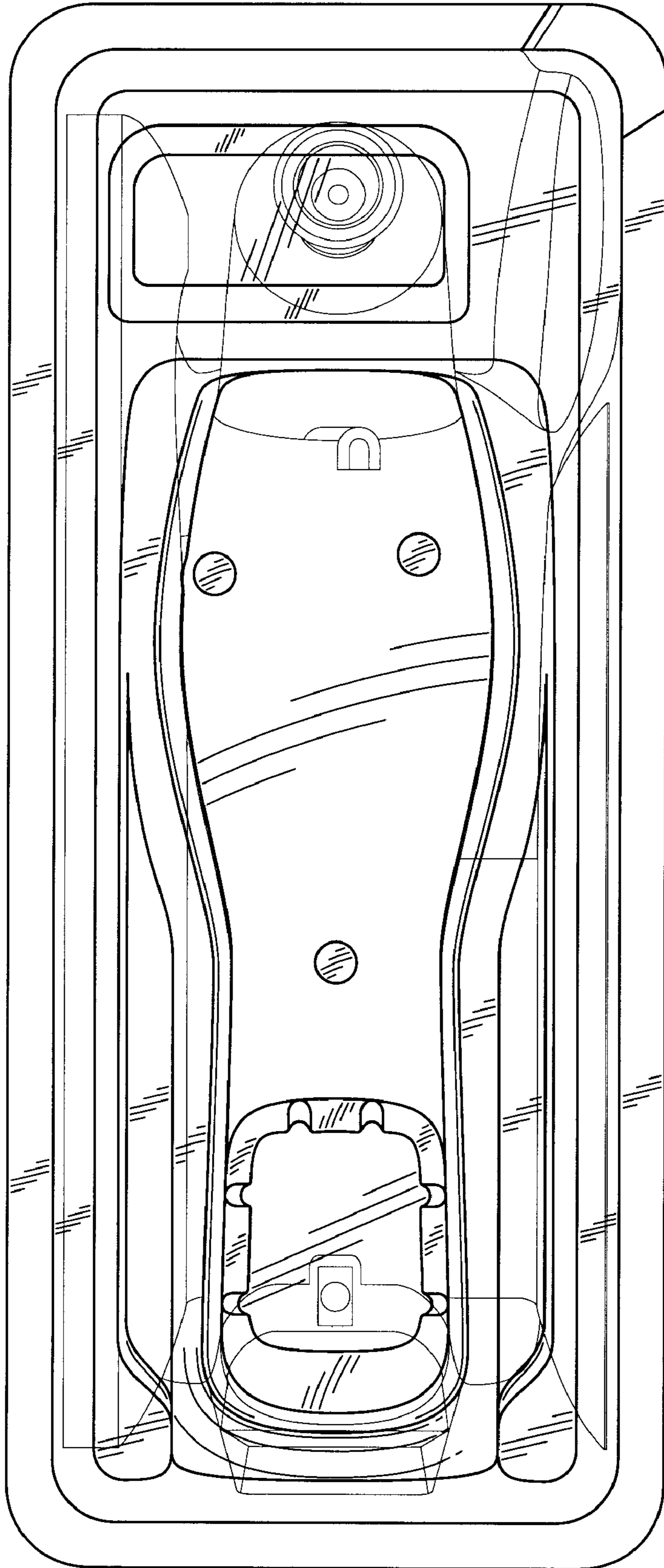


Figure 7