

US00D566542S

(12) **United States Design Patent** (10) **Patent No.:** **US D566,542 S**  
**Gedanke et al.** (45) **Date of Patent:** **\*\* \*Apr. 15, 2008**

(54) **VACUUM PUMP PACKAGE**

(75) Inventors: **Sergio Gedanke**, Brooklyn, NY (US);  
**Theresa Chee**, Mineola, NY (US);  
**Carlo DiRusso**, Bronx, NY (US)

(73) Assignee: **Alcoa Inc.**, Pittsburgh, PA (US)

(\* ) Notice: This patent is subject to a terminal disclaimer.

(\*\*) Term: **14 Years**

(21) Appl. No.: **29/278,949**

(22) Filed: **Apr. 16, 2007**

(51) **LOC (8) Cl.** ..... **09-03**

(52) **U.S. Cl.** ..... **D9/418; D9/425; D9/424**

(58) **Field of Classification Search** ..... D9/414,  
D9/415, 418, 424, 425, 457; 206/461-471,  
206/495, 806, 701-705, 769-776, 756, 486  
See application file for complete search history.

(56) **References Cited**

**U.S. PATENT DOCUMENTS**

D307,867 S *	5/1990	Lewis	.....	D9/424
D352,236 S *	11/1994	Althaus	.....	D9/415
D466,405 S *	12/2002	Lee	.....	D9/415
D517,907 S *	3/2006	Lee et al.	.....	D9/415
D543,843 S *	6/2007	Gehring et al.	.....	D9/425
D548,069 S *	8/2007	Sagel et al.	.....	D9/425

\* cited by examiner

*Primary Examiner*—Robert M. Spear

*Assistant Examiner*—Susan E Krakower

(74) *Attorney, Agent, or Firm*—Greenberg Traurig LLC;  
James E. Goepel; John Wittenzeller

(57) **CLAIM**

The ornamental design for a vacuum pump package, as shown and described.

**DESCRIPTION**

FIG. 1 is a perspective view of the vacuum pump package, showing an embodiment of the present design;

FIG. 2 is a front elevation view of the embodiment of the present design illustrated in FIG. 1;

FIG. 3 is a rear elevation of the embodiment of the present design illustrated in FIG. 1;

FIG. 4 is a right elevation view of the embodiment of the present design illustrated in FIG. 1;

FIG. 5 is a left elevation view of the embodiment of the present design illustrated in FIG. 1;

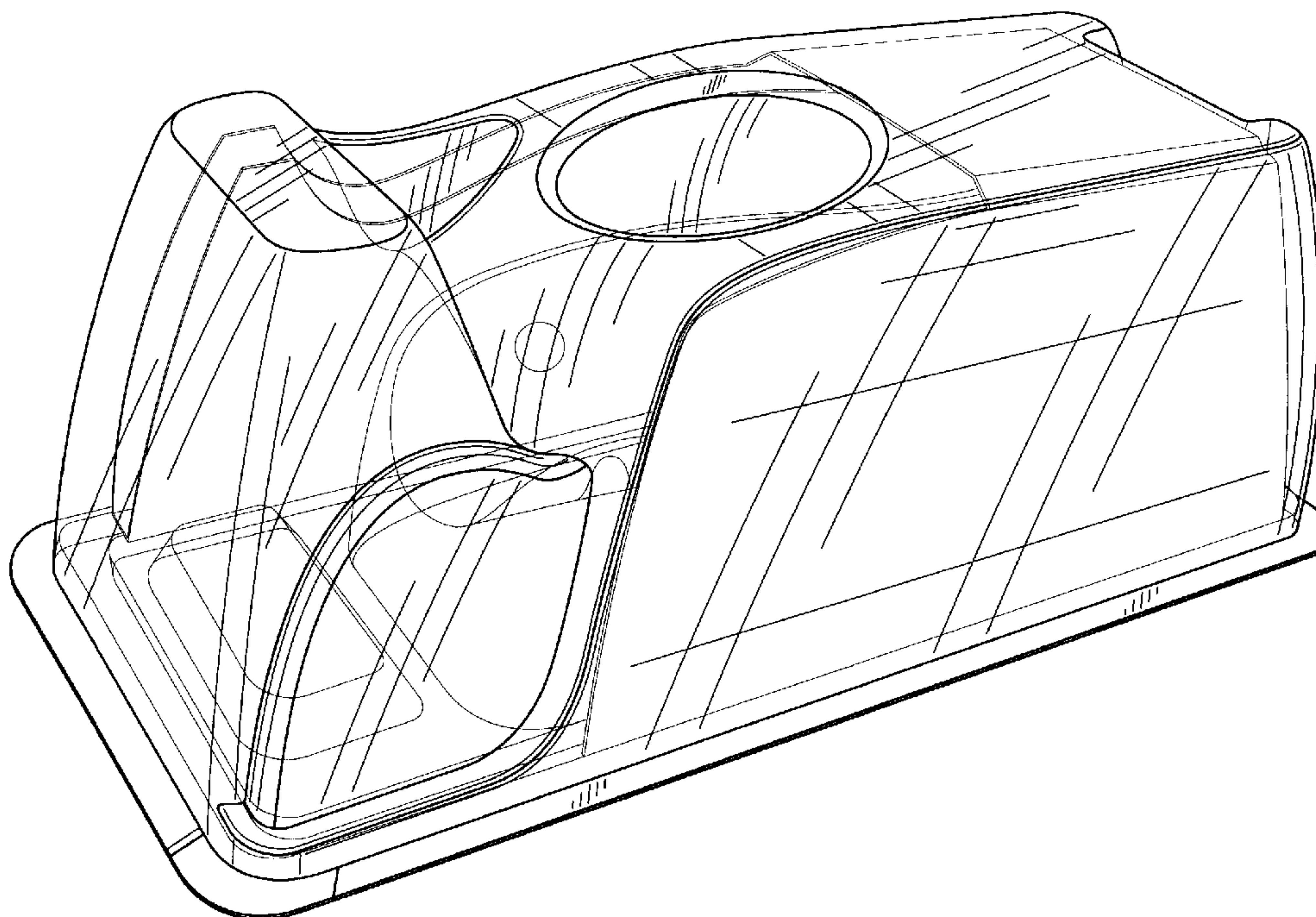
FIG. 6 is a top plan view of the embodiment of the present design illustrated in FIG. 1;

FIG. 7 is a bottom plan view of the embodiment of the present design illustrated in FIG. 1; and,

FIG. 8 is an alternate perspective view of the present design illustrated in FIG. 1.

The broken line showing of a pump is included for the purpose of illustrating environmental structure and forms no part of the claimed design.

**1 Claim, 7 Drawing Sheets**



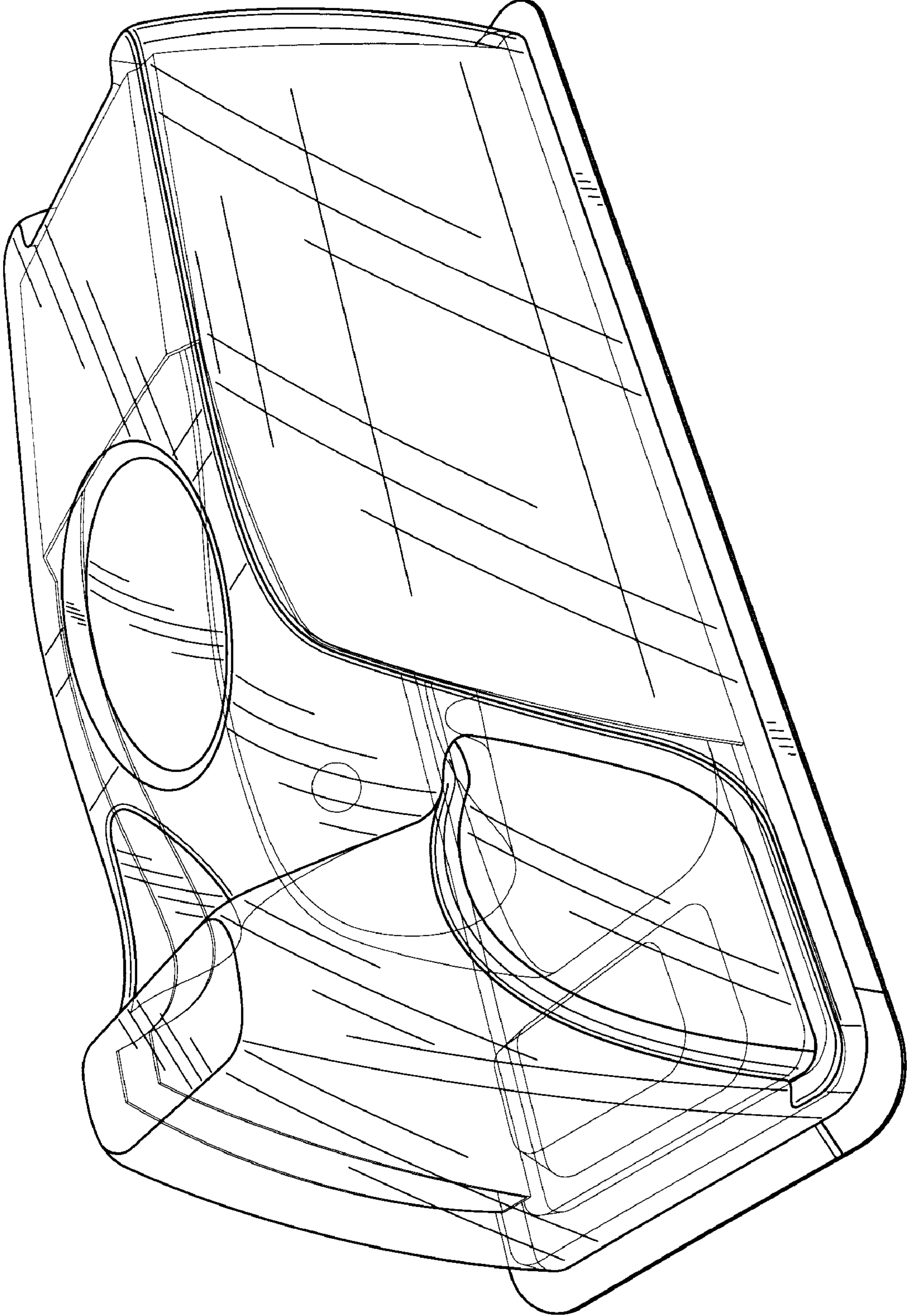


Figure 1

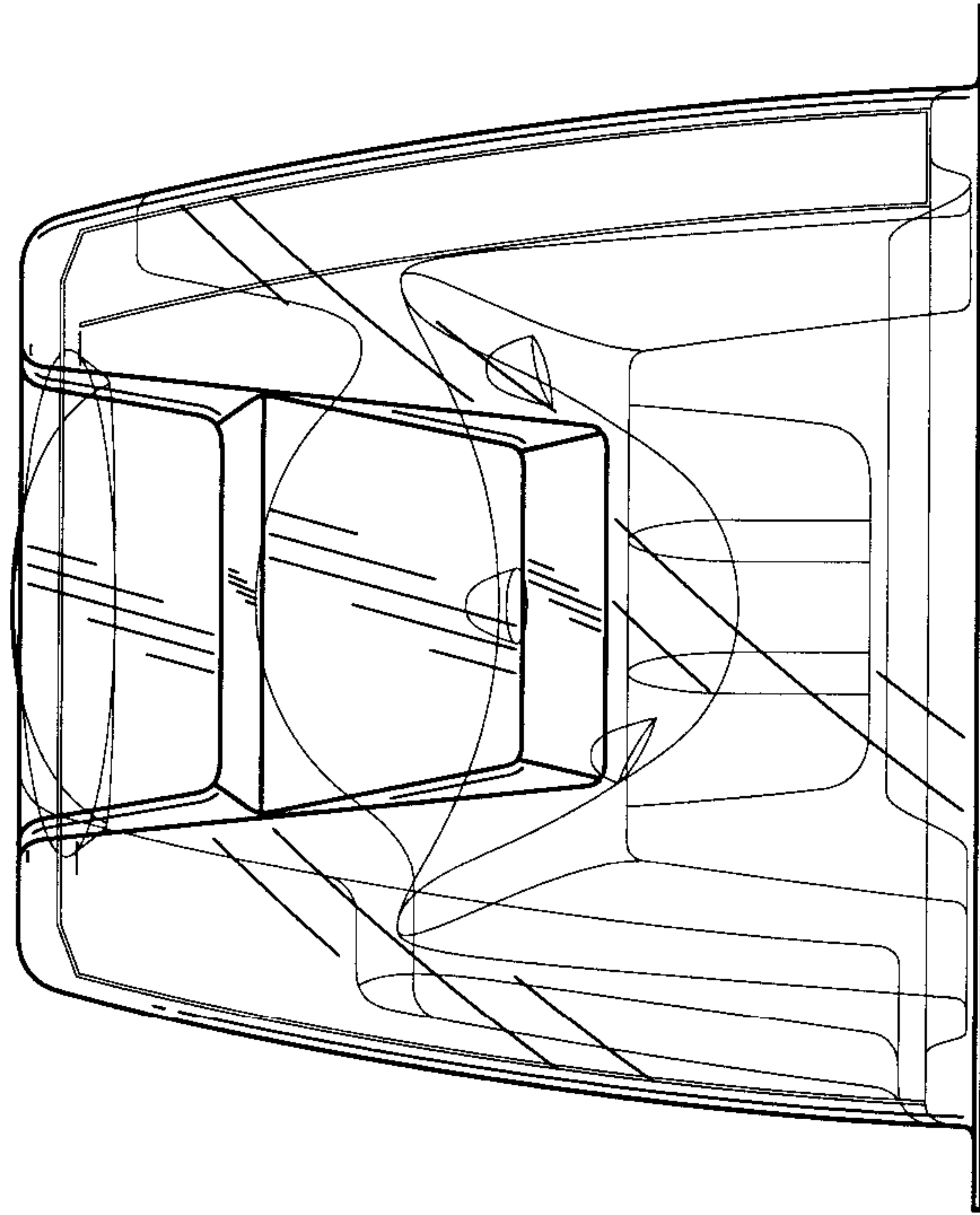


Figure 3

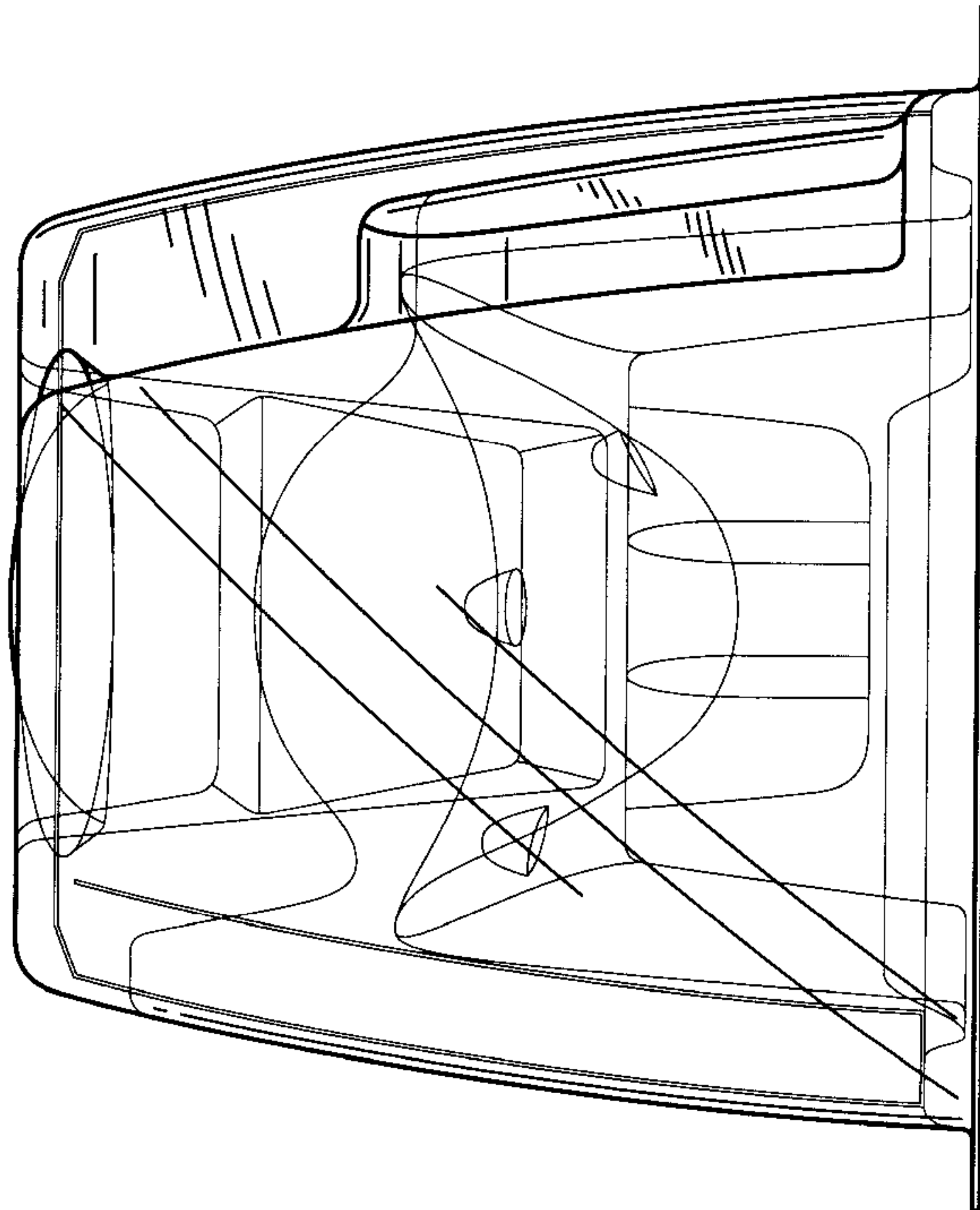


Figure 2



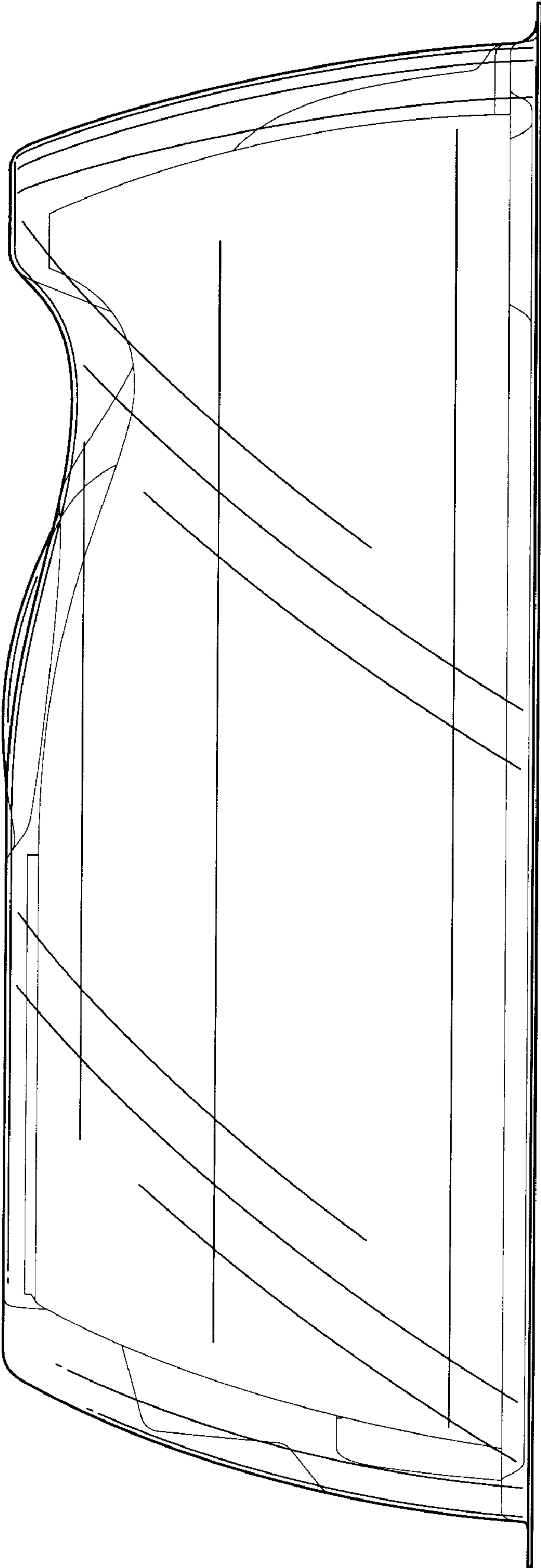


Figure 4

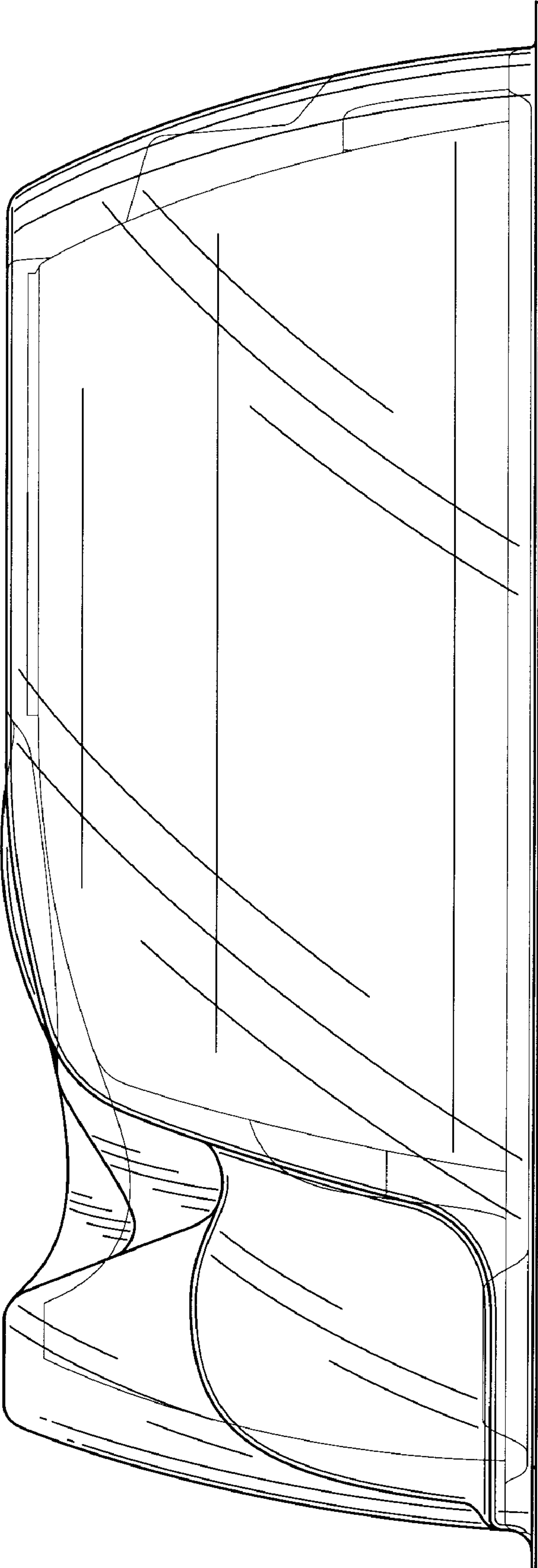


Figure 5

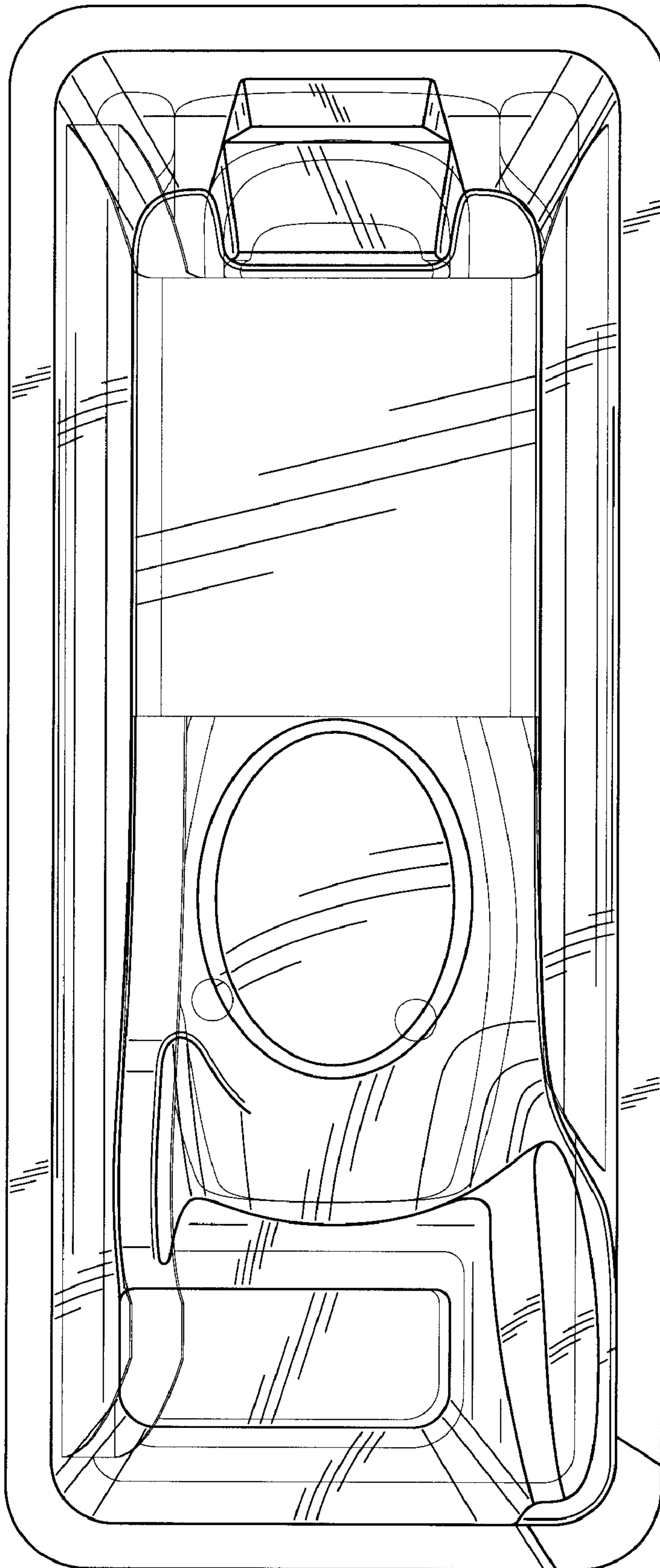


Figure 6

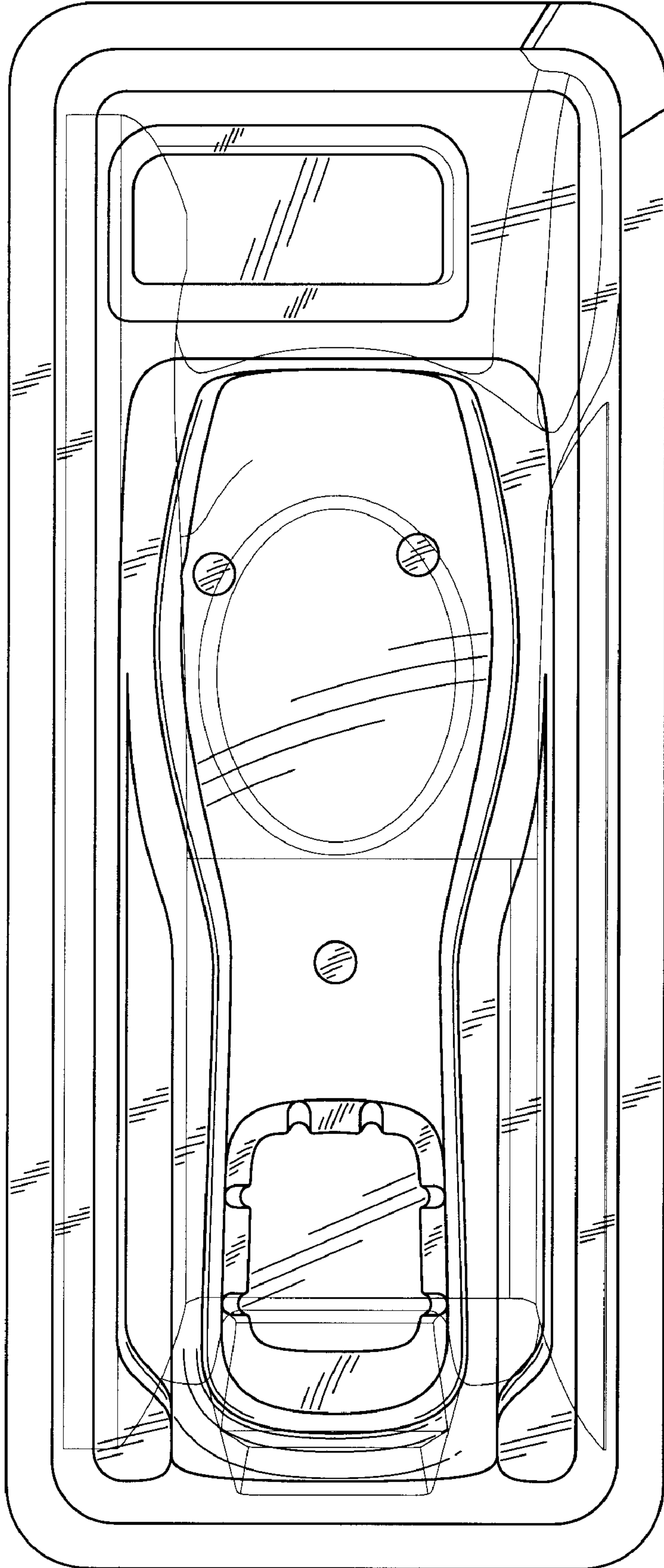


Figure 7



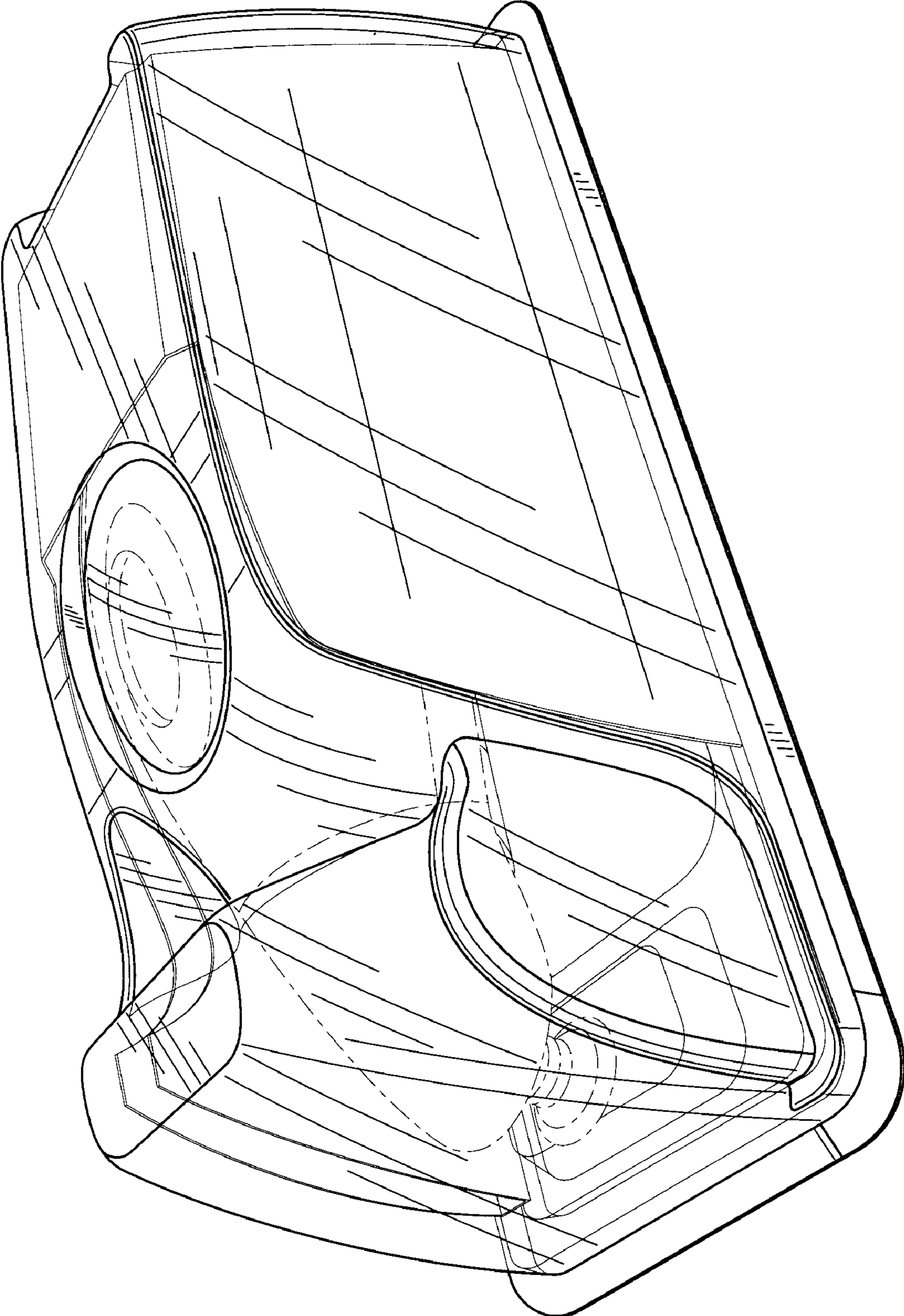


Figure 8