



US00D566538S

(12) **United States Design Patent**
Wrase et al.

(10) **Patent No.:** **US D566,538 S**
(45) **Date of Patent:** **** Apr. 15, 2008**

(54) **ERGONOMIC RETAINING CLIP**

(76) Inventors: **Ronald H. Wrase**, 9430 Woodridge Way, Savage, MN (US) 55378; **Bruce E. Kyro**, 6360 Broadview Dr., Prior Lake, MN (US) 55372

(**) Term: **14 Years**

(21) Appl. No.: **29/279,554**

(22) Filed: **May 3, 2007**

Related U.S. Application Data

(63) Continuation-in-part of application No. 11/365,336, filed on Feb. 28, 2006, and a continuation-in-part of application No. 10/940,189, filed on Sep. 13, 2004.

(51) **LOC (8) Cl.** **08-08**

(52) **U.S. Cl.** **D8/395**

(58) **Field of Classification Search** D8/370, D8/394, 395; D19/65; 24/356, 530, 566, 24/570, 571, 711.3, DIG. 10; 403/379.6; 411/514, 530, 946

See application file for complete search history.

(56) **References Cited**

U.S. PATENT DOCUMENTS

D46,621 S * 11/1914 Schade D8/395
D57,995 S * 5/1921 Saul D28/39
D146,349 S * 2/1947 Dovidio et al. D28/39
2,510,897 A * 6/1950 Maclean, Jr. et al. 411/514

D189,471 S * 12/1960 Sawyer D28/39
D237,600 S * 11/1975 Skokie et al. D12/114
4,237,587 A * 12/1980 Hsiao et al. 24/555
5,662,446 A * 9/1997 Haan 411/514
6,135,693 A * 10/2000 Leitzke et al. 411/530
D499,956 S * 12/2004 Wall D8/370

* cited by examiner

Primary Examiner—Joel A. Sincavage

Assistant Examiner—John Windmuller

(74) *Attorney, Agent, or Firm*—Robert A. Pajak

(57) **CLAIM**

The ornamental design for an ergonomic retaining clip, as shown and described.

DESCRIPTION

FIG. 1 is a perspective view of an ergonomic retaining clip embodying our design;

FIG. 2 is a side elevation view as seen from the left side of FIG. 1;

FIG. 3 is a side elevation view as seen from the right side of FIG. 1, opposite that of FIG. 2;

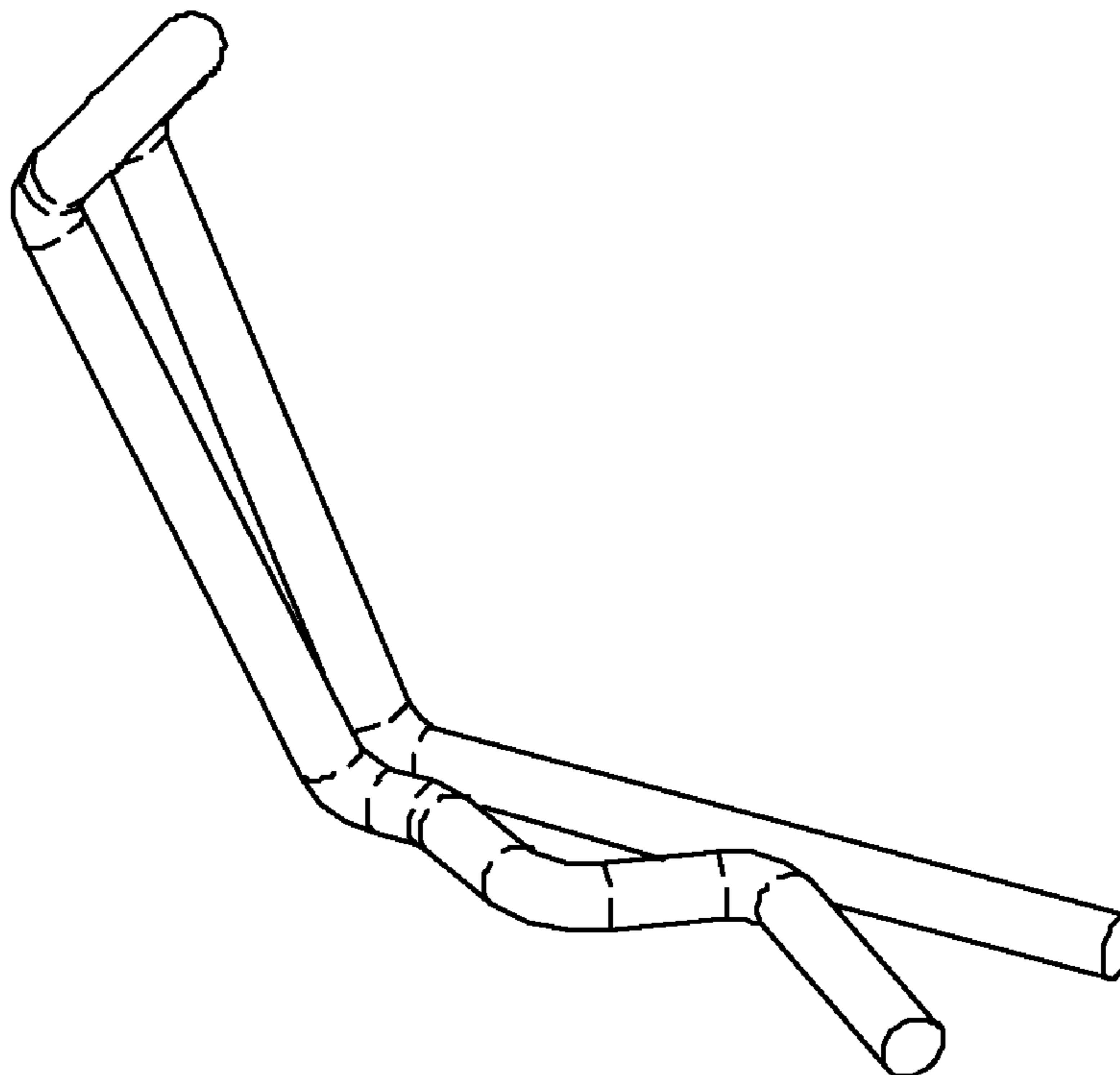
FIG. 4 is a top plan view thereof;

FIG. 5 is a bottom plan view thereof;

FIG. 6 is a front elevation view thereof; and,

FIG. 7 is a rear elevation view thereof.

1 Claim, 2 Drawing Sheets



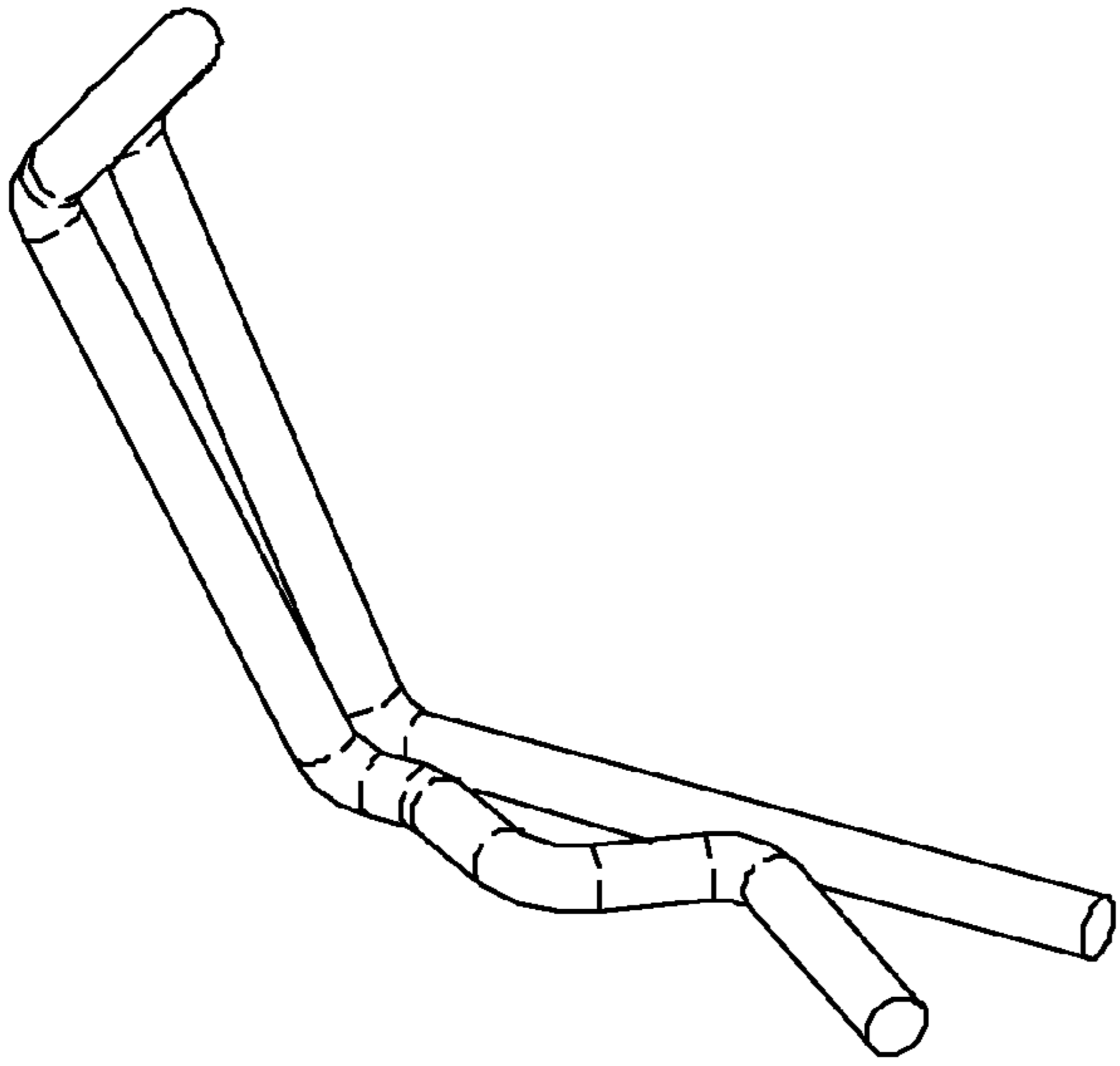


Figure 1

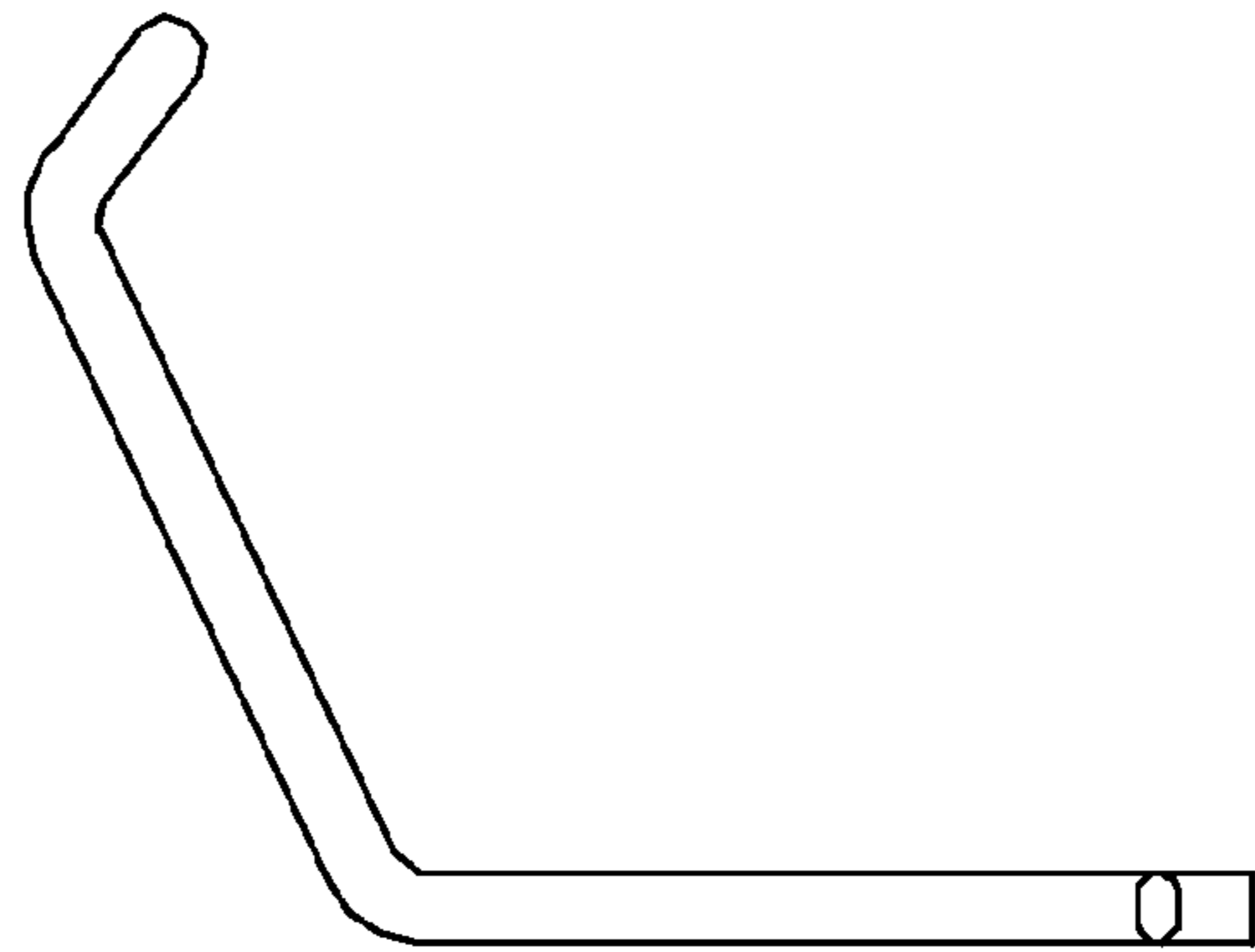


Figure 2

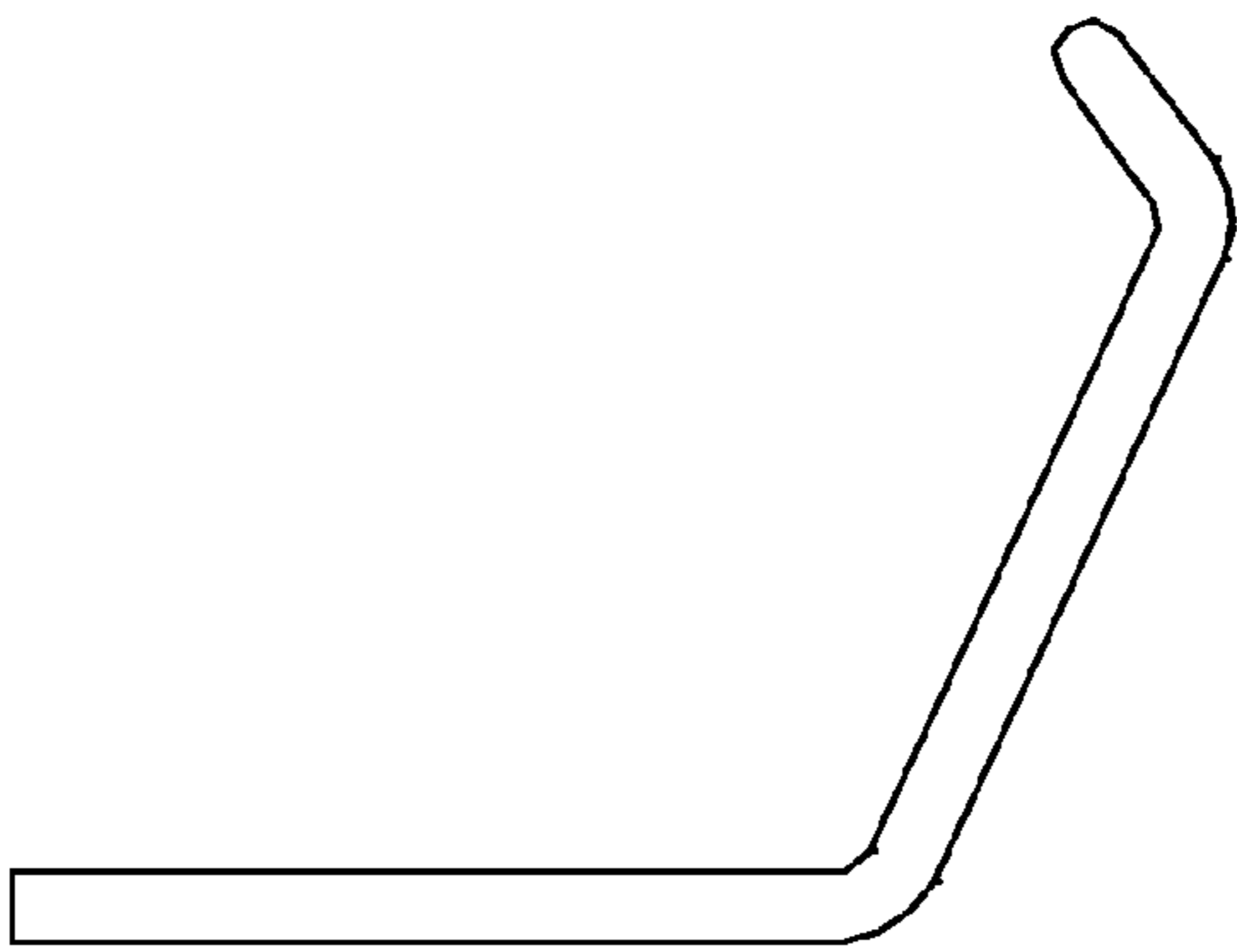


Figure 3

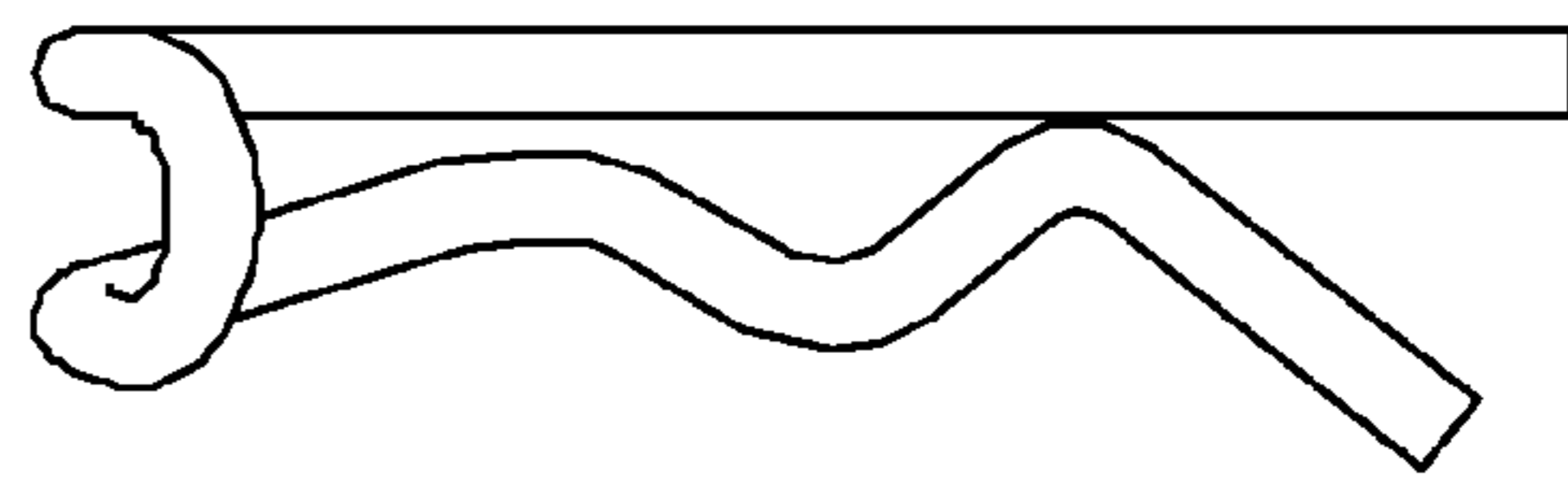


Figure 4

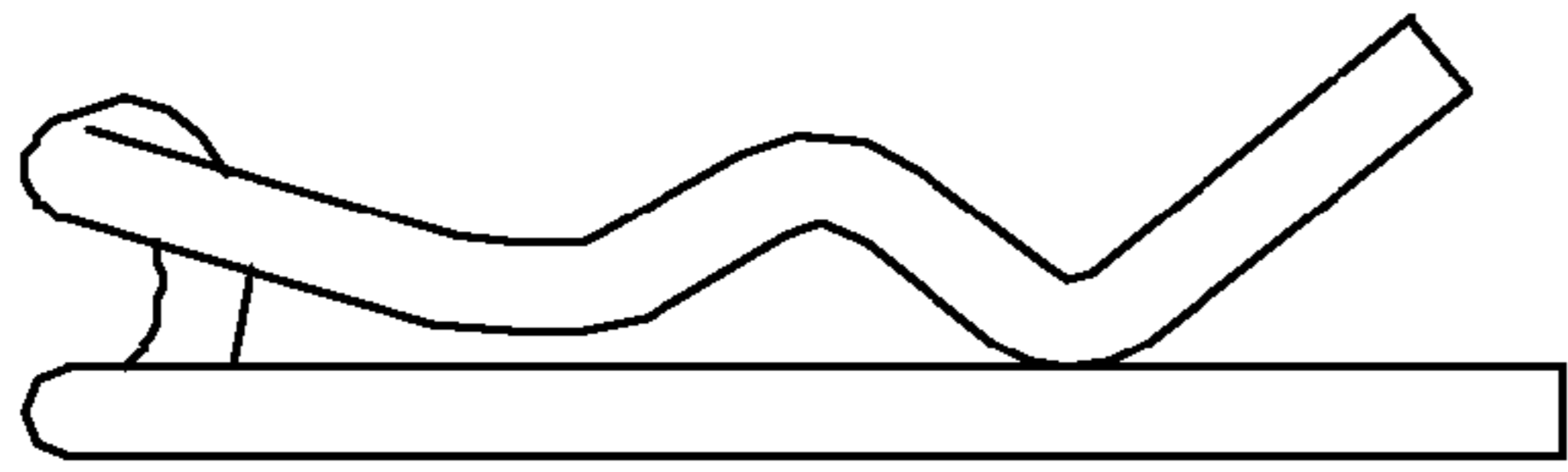


Figure 5

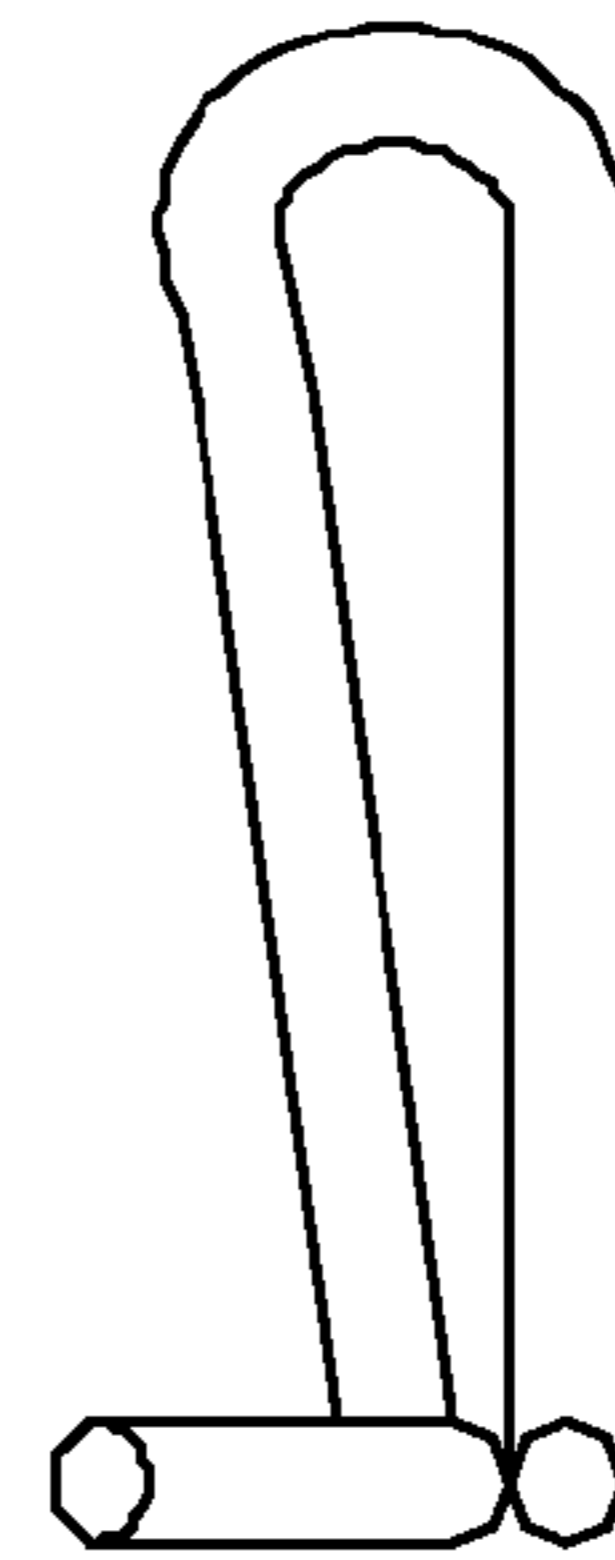


Figure 6

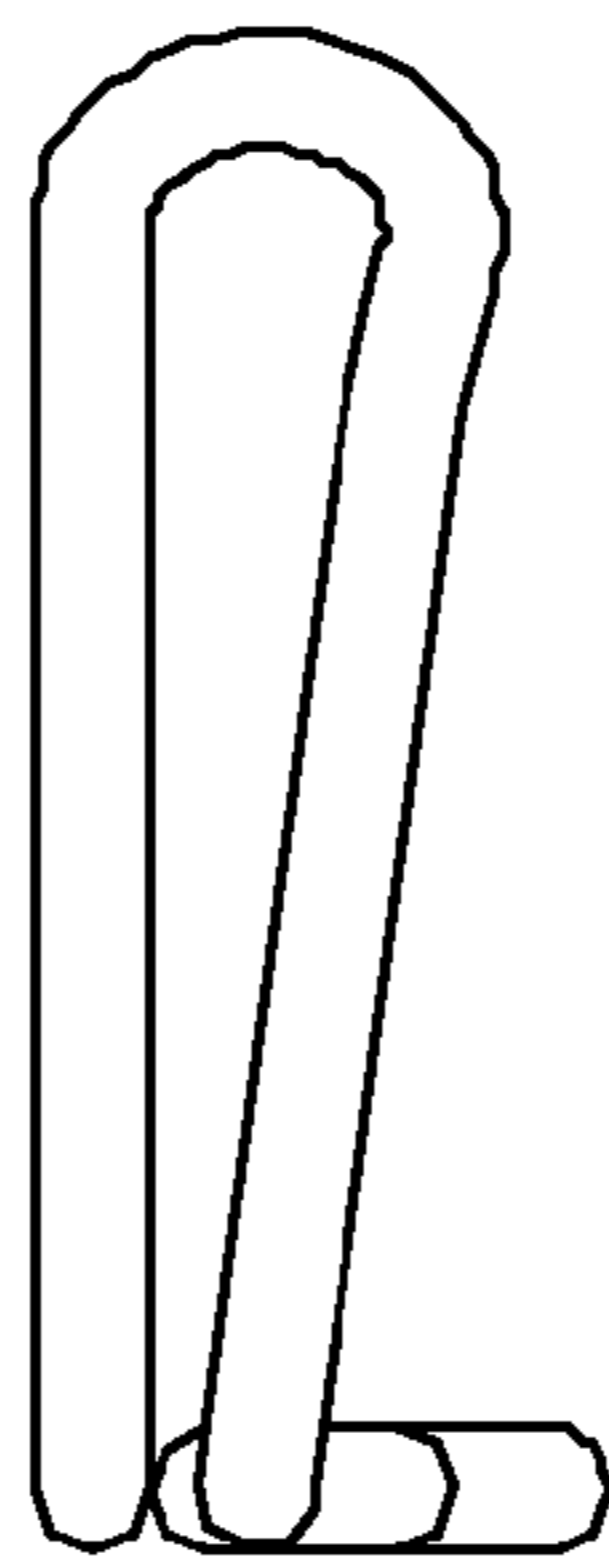


Figure 7