



US00D566535S

(12) **United States Design Patent**
Asano et al.

(10) **Patent No.:** **US D566,535 S**
(45) **Date of Patent:** **** Apr. 15, 2008**

(54) **FIXING ARTICLE FOR AUTOMOBILE PARTS**

(75) Inventors: **Kazunori Asano**, Kanagawa-ken (JP);
Kazunori Machida, Kanagawa-ken (JP)

(73) Assignee: **Piolax, Inc.**, Yokohama-Shi,
Kanagawa-Ken (JP)

(**) Term: **14 Years**

(21) Appl. No.: **29/266,691**

(22) Filed: **Sep. 27, 2006**

(30) **Foreign Application Priority Data**

Mar. 29, 2006 (JP) 2006-007921

(51) **LOC (8) Cl.** **08-08**

(52) **U.S. Cl.** **D8/382**

(58) **Field of Classification Search** D8/382,
D8/383, 384, 385, 386; 24/297, 453; 411/508,
411/509

See application file for complete search history.

(56) **References Cited**

U.S. PATENT DOCUMENTS

D293,882 S *	1/1988	Takahashi	D8/386
D293,883 S *	1/1988	Hirohata	D8/386
D293,884 S *	1/1988	Hirohata	D8/386
D297,613 S *	9/1988	Yokoyama et al.	D8/382
D297,614 S *	9/1988	Yokoyama et al.	D8/382
D297,615 S *	9/1988	Nakama	D8/382
D354,219 S *	1/1995	Shimajiri	D8/382
D355,113 S *	2/1995	Shimajiri	D8/382
5,592,719 A *	1/1997	Eto et al.	24/453

D378,349 S *	3/1997	Saito et al.	D8/382
D380,667 S *	7/1997	Kanamori et al.	D8/382
D381,258 S *	7/1997	Saito	D8/382
5,651,634 A *	7/1997	Kraus	403/408.1
D382,466 S *	8/1997	Hirose	D8/382
D382,468 S *	8/1997	Takahashi	D8/382
D390,776 S *	2/1998	Ueno	D8/382
D456,699 S *	5/2002	Nakanishi	D8/382
D464,873 S *	10/2002	Nemoto	D8/382
D487,394 S *	3/2004	Romita	D8/382
2007/0186389 A1 *	8/2007	Smith et al.	24/297

* cited by examiner

Primary Examiner—Holly H. Baynham

Assistant Examiner—Sheryl Friedman

(74) *Attorney, Agent, or Firm*—McGinn IP Law Group, PLLC

(57) **CLAIM**

The ornamental design for a fixing article for automobile parts, as shown and described.

DESCRIPTION

FIG. 1 is a perspective view of the front, right and top of a fixing article for automobile parts showing our new design;

FIG. 2 is a perspective view of the rear, left and bottom of thereof;

FIG. 3 is a front view thereof;

FIG. 4 is a rear view thereof;

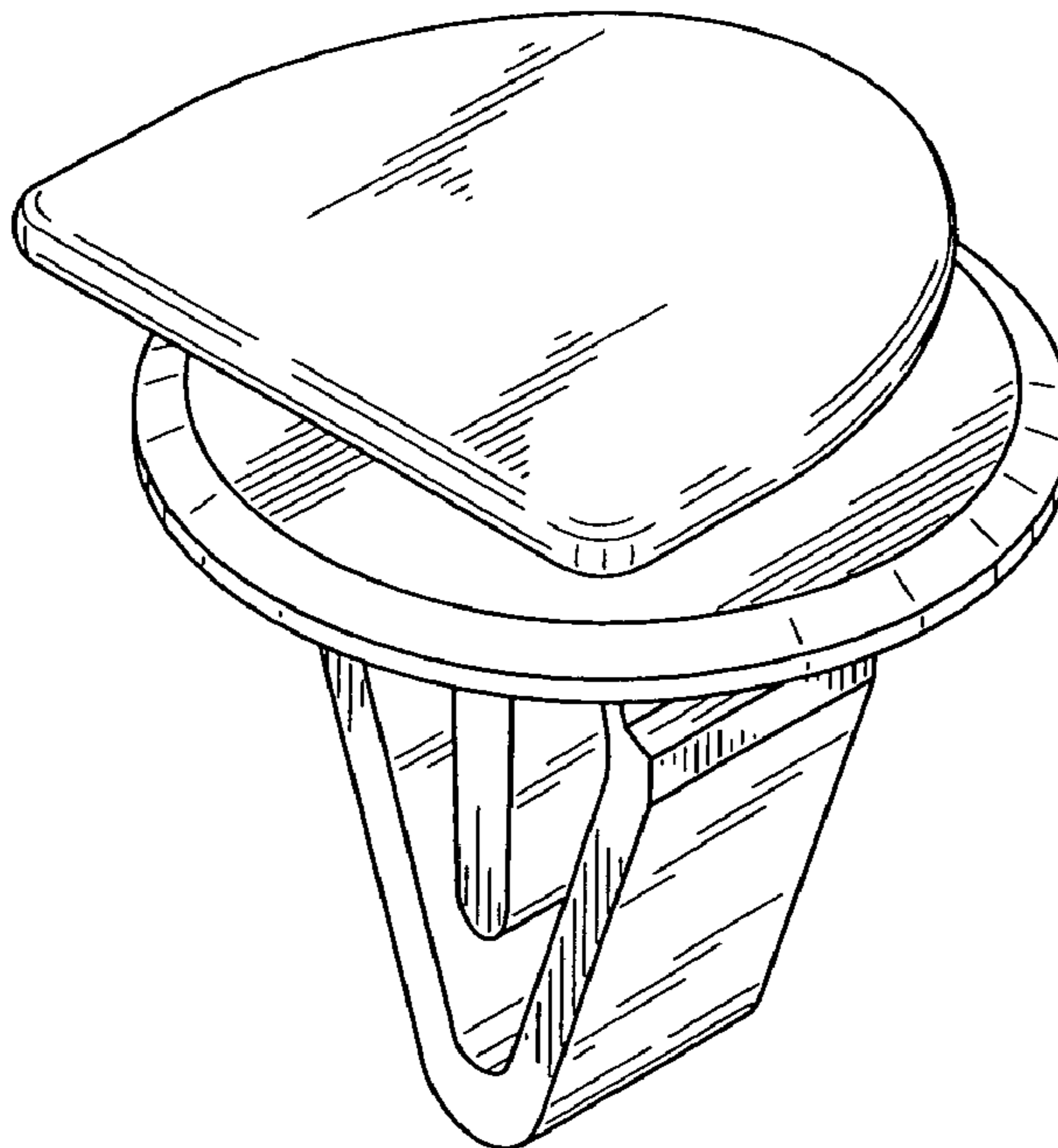
FIG. 5 is a top plan view thereof;

FIG. 6 is a bottom view thereof;

FIG. 7 is a right side thereof; and,

FIG. 8 is a left side thereof.

1 Claim, 4 Drawing Sheets



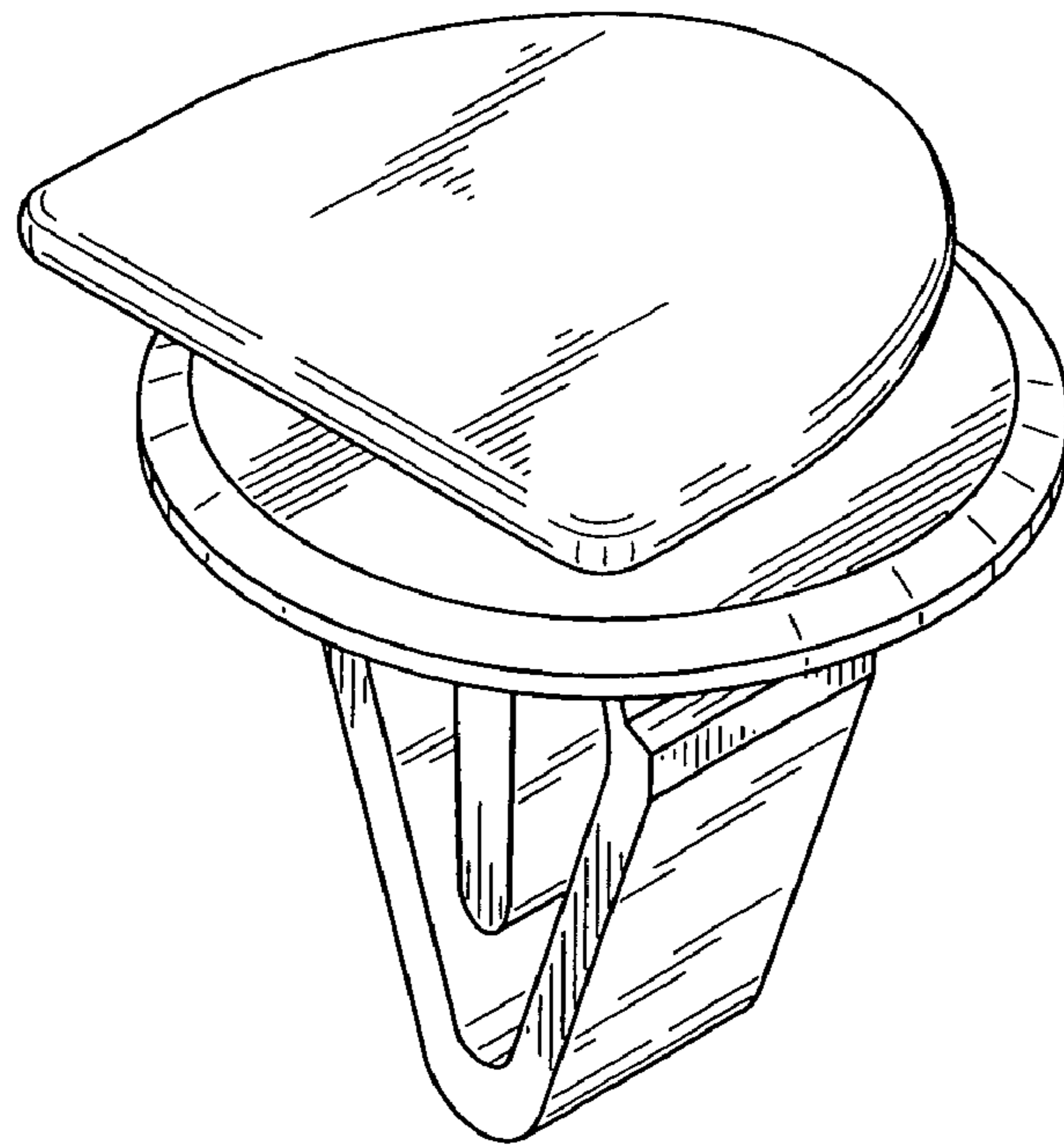


FIG. 1

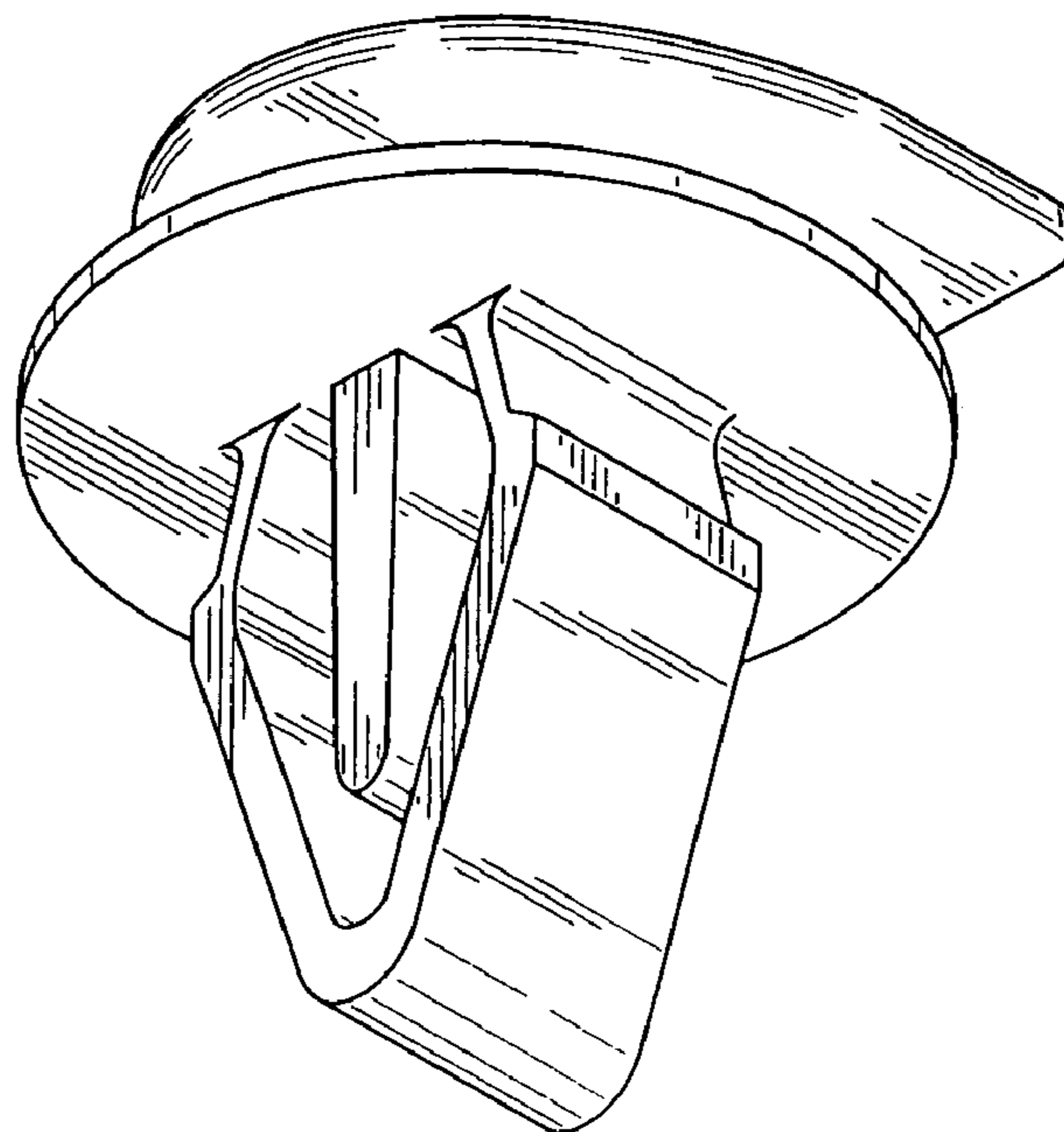


FIG. 2

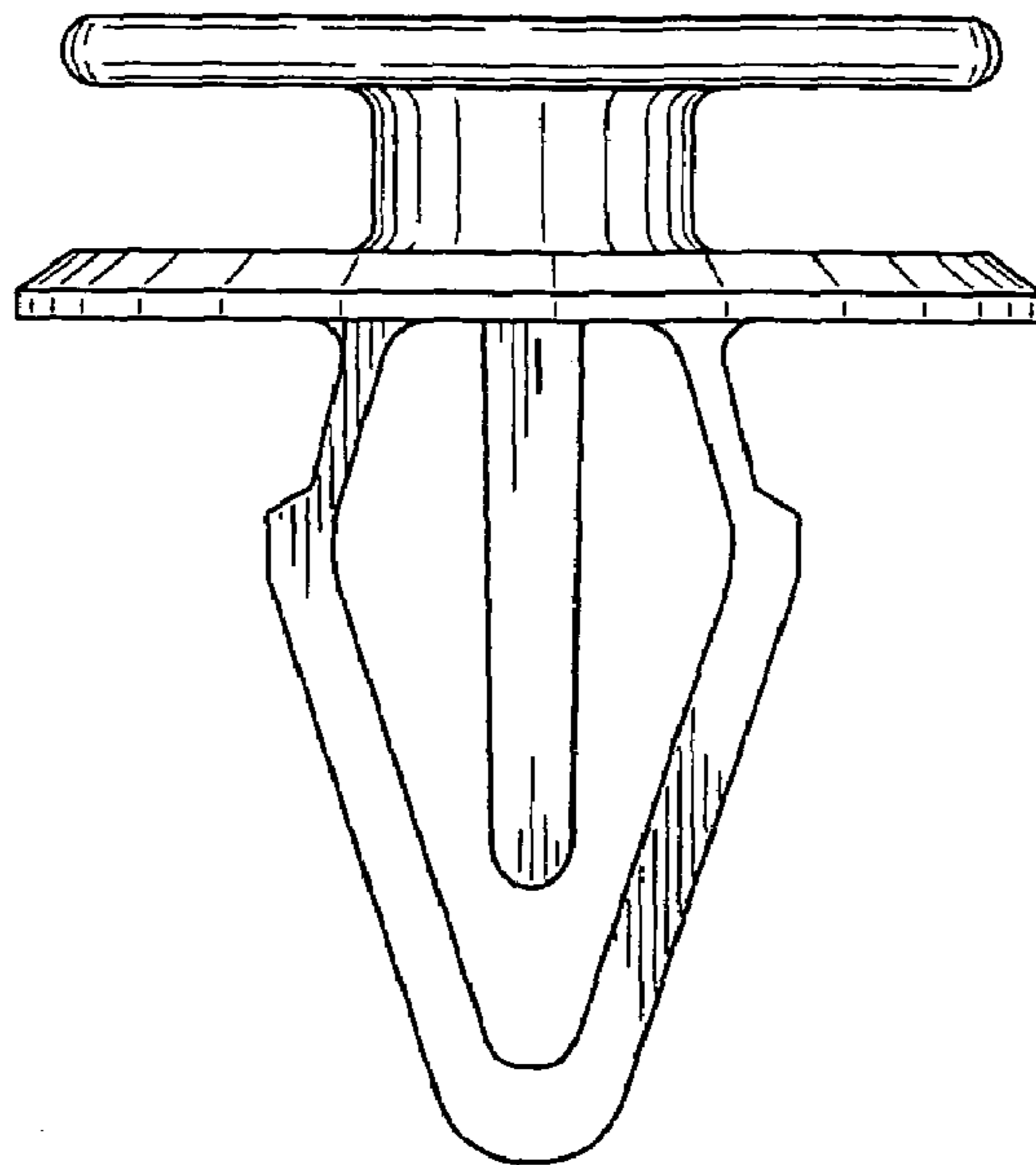


FIG. 3

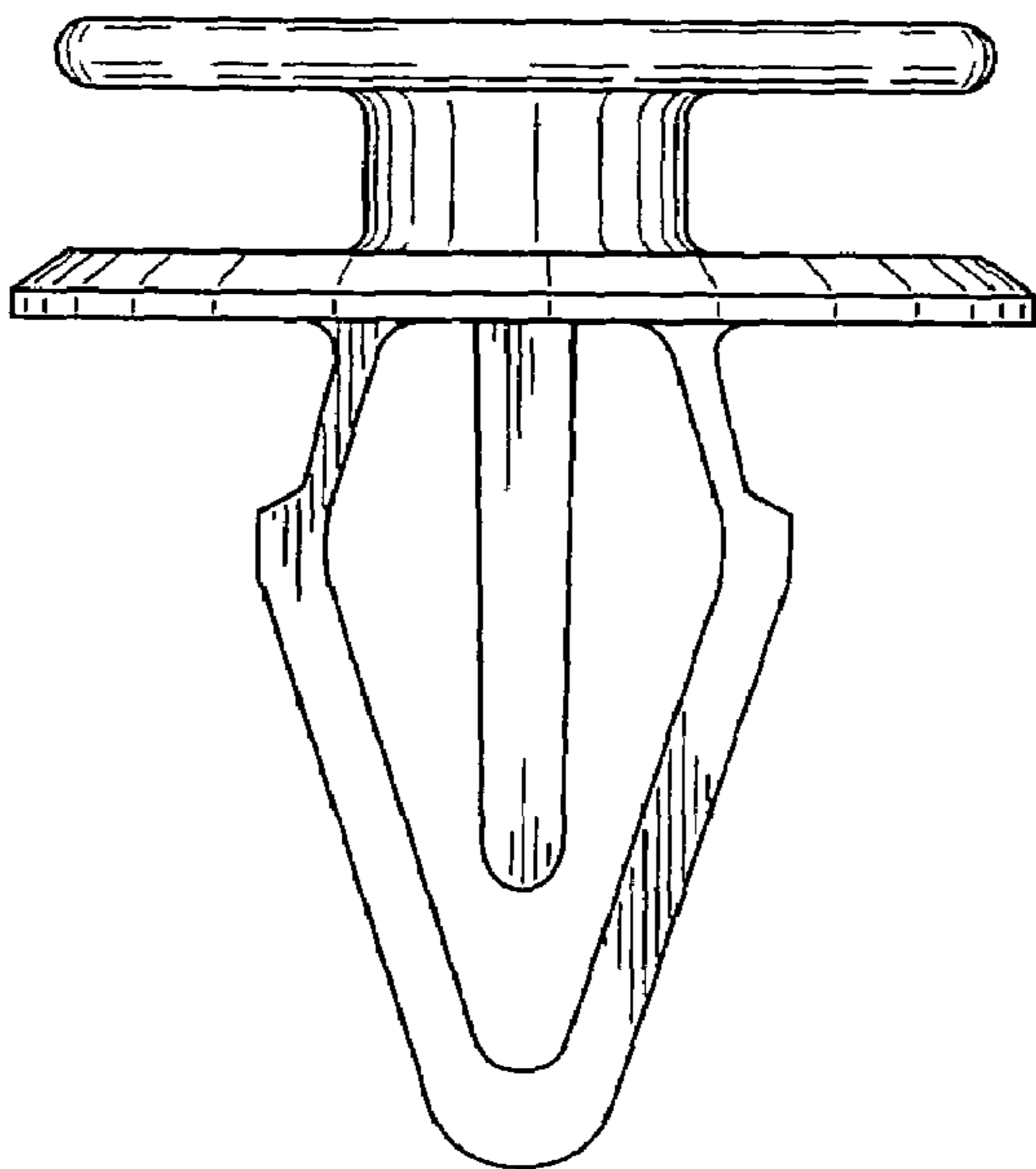


FIG. 4

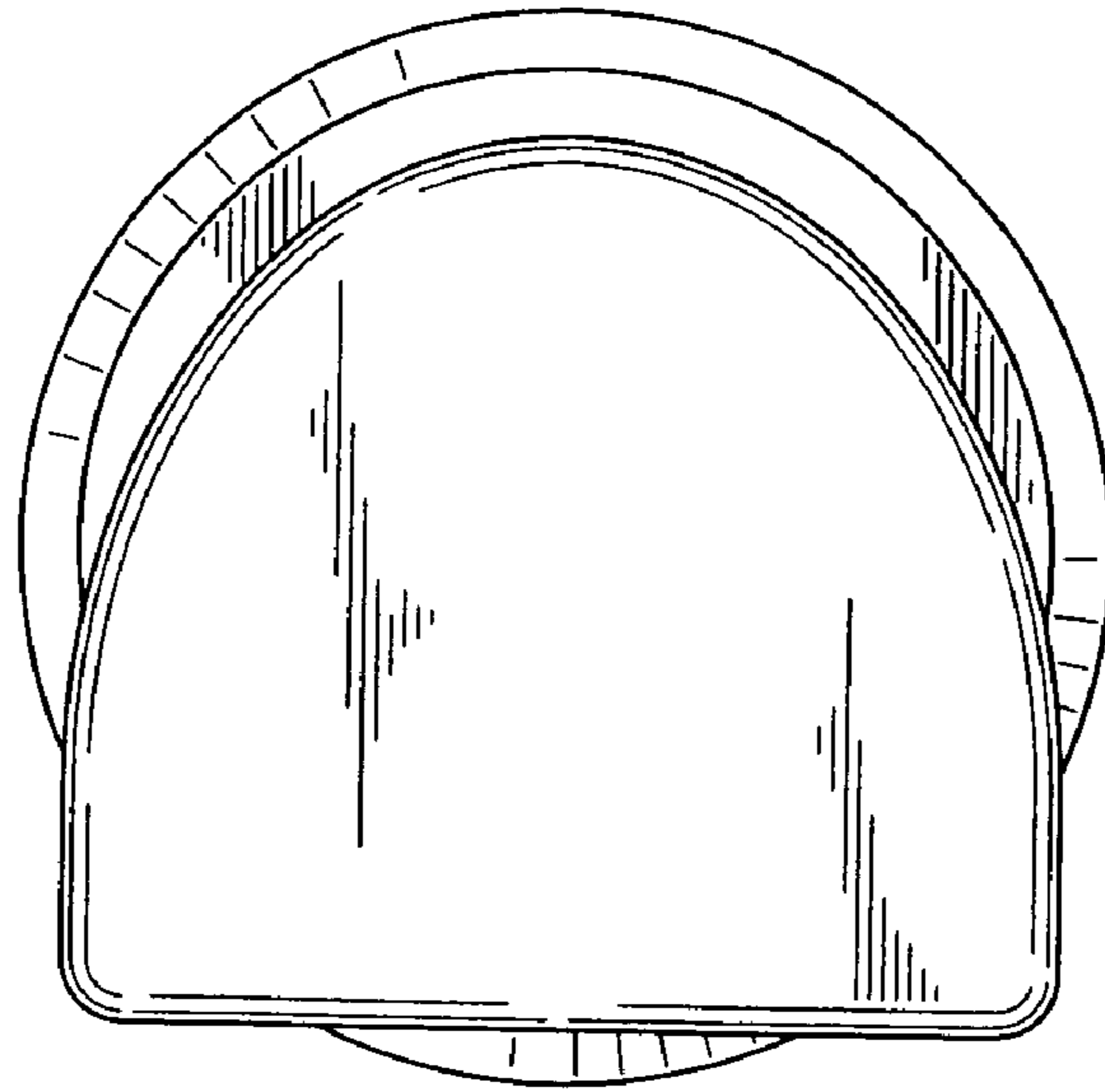


FIG. 5

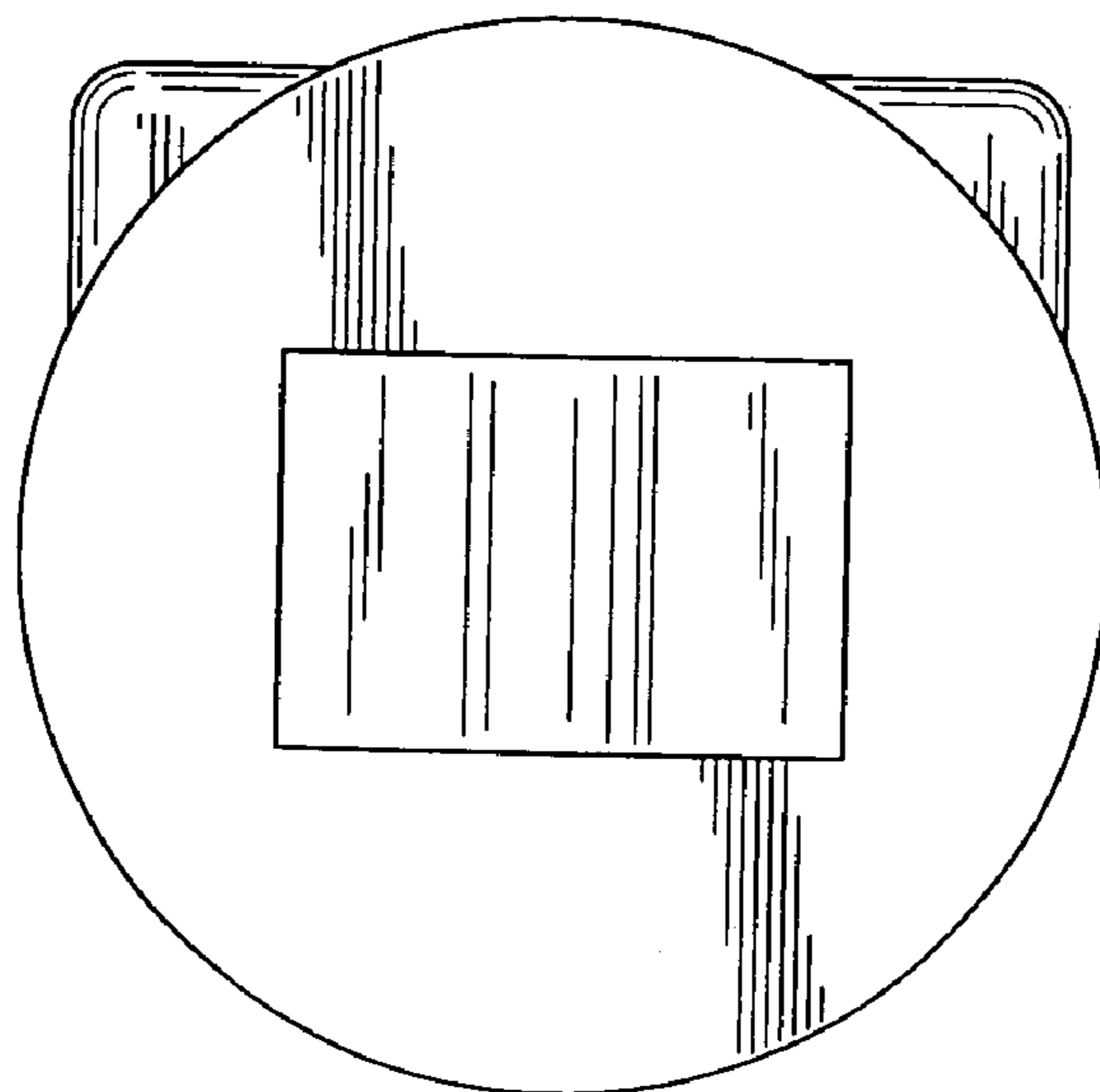


FIG. 6

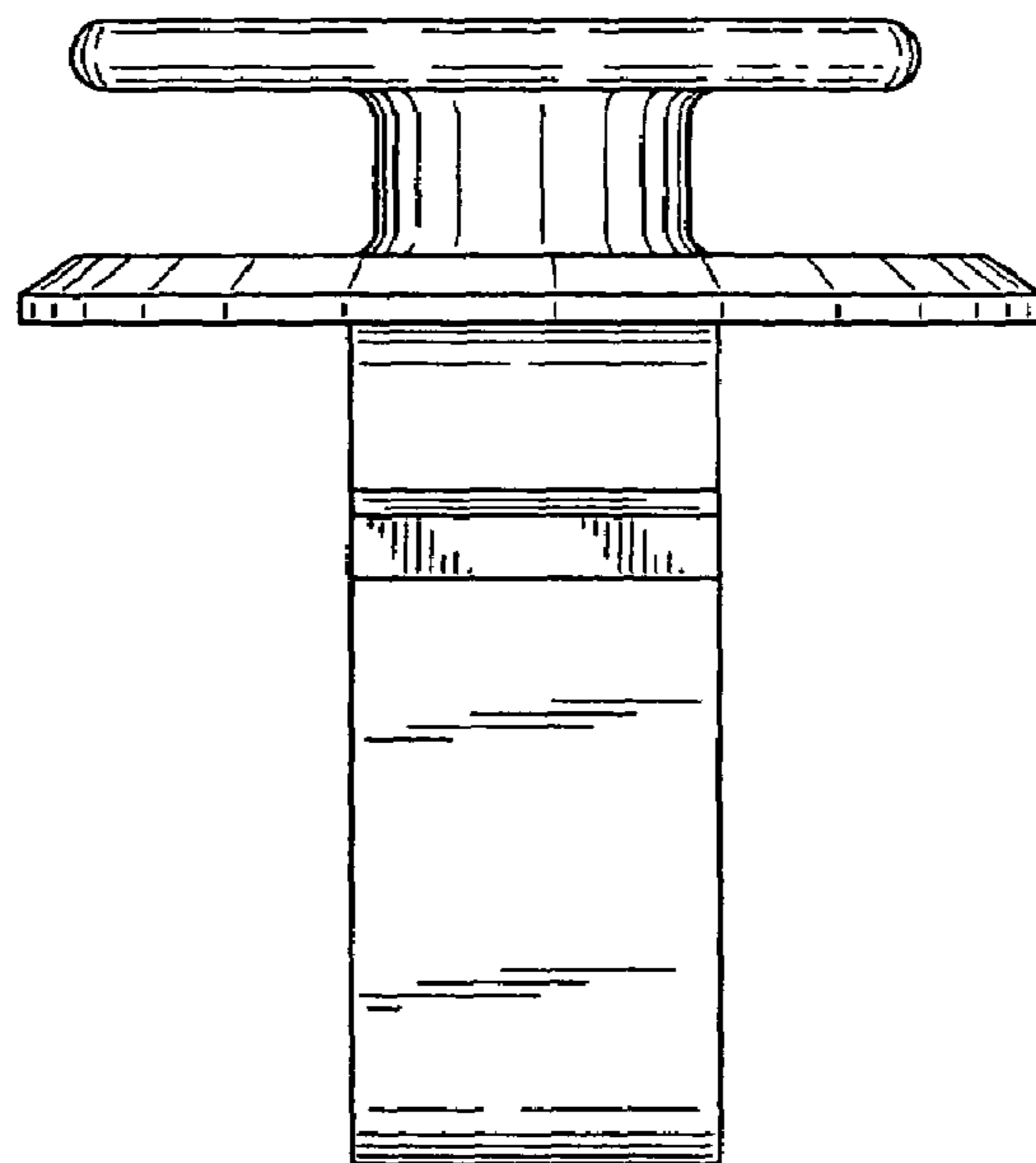


FIG. 7

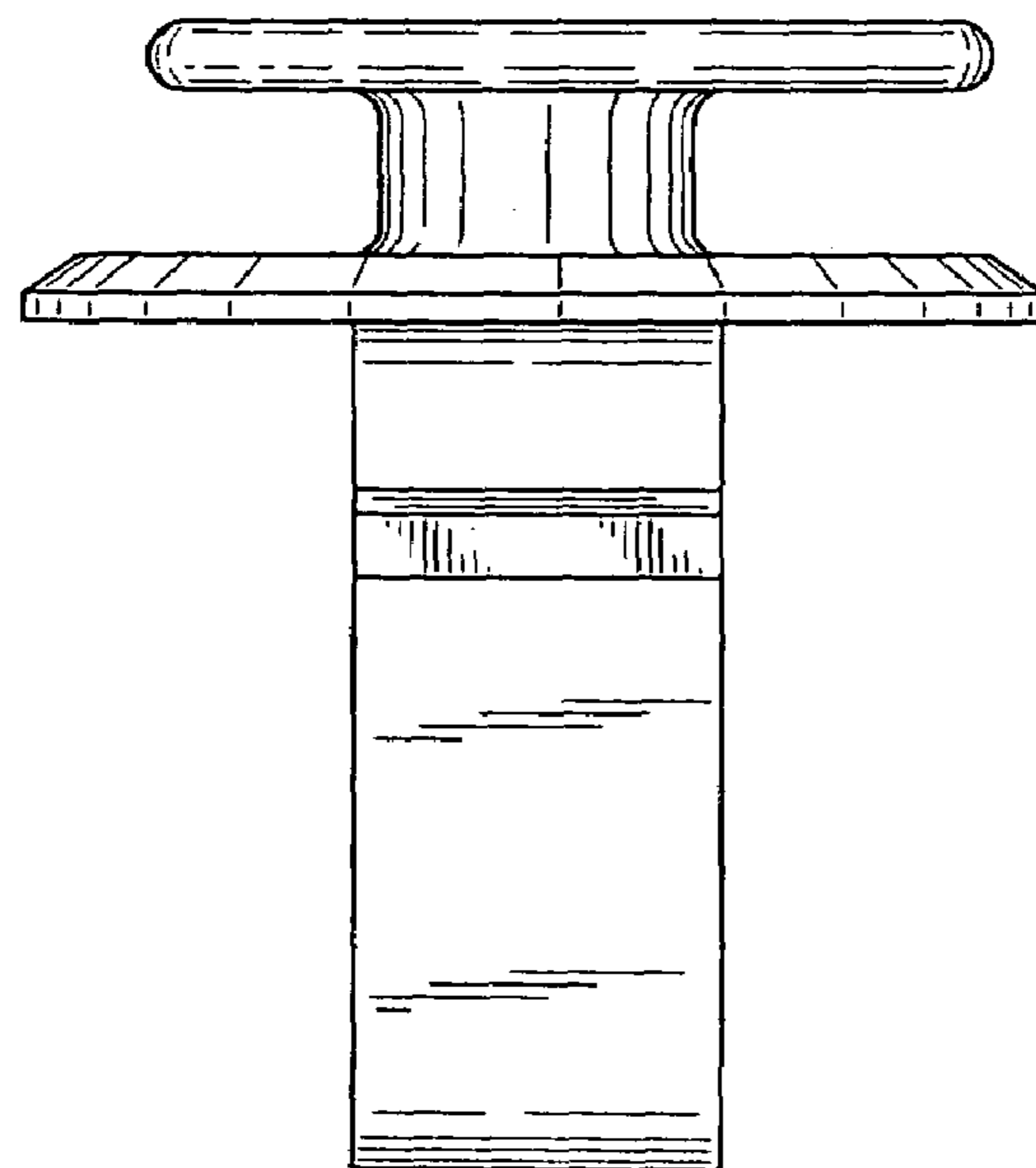


FIG. 8