

US00D566534S

(12) **United States Design Patent**
Okada

(10) **Patent No.:** **US D566,534 S**
(45) **Date of Patent:** **** Apr. 15, 2008**

(54) **FIXING ARTICLE FOR AUTOMOBILE PARTS**

(75) Inventor: **Shigeo Okada**, Kanagawa-ken (JP)

(73) Assignee: **Piolax, Inc.**, Yokohama-Shi,
Kanagawa-Ken (JP)

(**) Term: **14 Years**

(21) Appl. No.: **29/264,676**

(22) Filed: **Aug. 16, 2006**

(30) **Foreign Application Priority Data**

Feb. 17, 2006 (JP) 2006-003688

(51) **LOC (8) Cl.** **08-08**

(52) **U.S. Cl.** **D8/382**

(58) **Field of Classification Search** D8/382;
411/508-510, 45; 24/453, 297

See application file for complete search history.

(56) **References Cited**

U.S. PATENT DOCUMENTS

D293,883	S	*	1/1988	Hirohata	D8/386
D297,614	S	*	9/1988	Yokoyama et al.	D8/382
D297,615	S	*	9/1988	Nakama	D8/382
D354,219	S	*	1/1995	Shimajiri	D8/382
D355,113	S	*	2/1995	Shimajiri	D8/382
5,568,675	A	*	10/1996	Asami et al.	24/453
5,573,362	A	*	11/1996	Asami et al.	411/509
D378,349	S	*	3/1997	Saito et al.	D8/382
D381,258	S	*	7/1997	Saito	D8/382
5,651,634	A	*	7/1997	Kraus	403/408.1
D382,468	S	*	8/1997	Takahashi	D8/382
5,846,040	A	*	12/1998	Ueno	411/45
D406,229	S	*	3/1999	Lucht	D8/382

D456,699	S	*	5/2002	Nakanishi	D8/382
D462,256	S	*	9/2002	Jaynes	D8/382
6,481,942	B2	*	11/2002	Tanaka	411/45
6,514,023	B2	*	2/2003	Moerke	411/45
D498,414	S	*	11/2004	Yoneoka	D8/382
D500,245	S	*	12/2004	Okada	D8/382
6,974,292	B2	*	12/2005	Hansen	411/508
7,017,239	B2	*	3/2006	Kurily et al.	24/297
7,257,867	B2	*	8/2007	Mizukoshi et al.	24/297

* cited by examiner

Primary Examiner—Holly H. Baynham

Assistant Examiner—Sheryl Friedman

(74) *Attorney, Agent, or Firm*—McGinn IP Law Group, PLLC

(57) **CLAIM**

The ornamental design for a fixing article for automobile parts, as shown and described.

DESCRIPTION

FIG. 1 is a perspective view of the front, right and top of a fixing article for automobile parts showing my new design;

FIG. 2 is a front view thereof, a rear view being a mirror image thereof;

FIG. 3 is a right side view thereof, a left side view being a mirror image thereof;

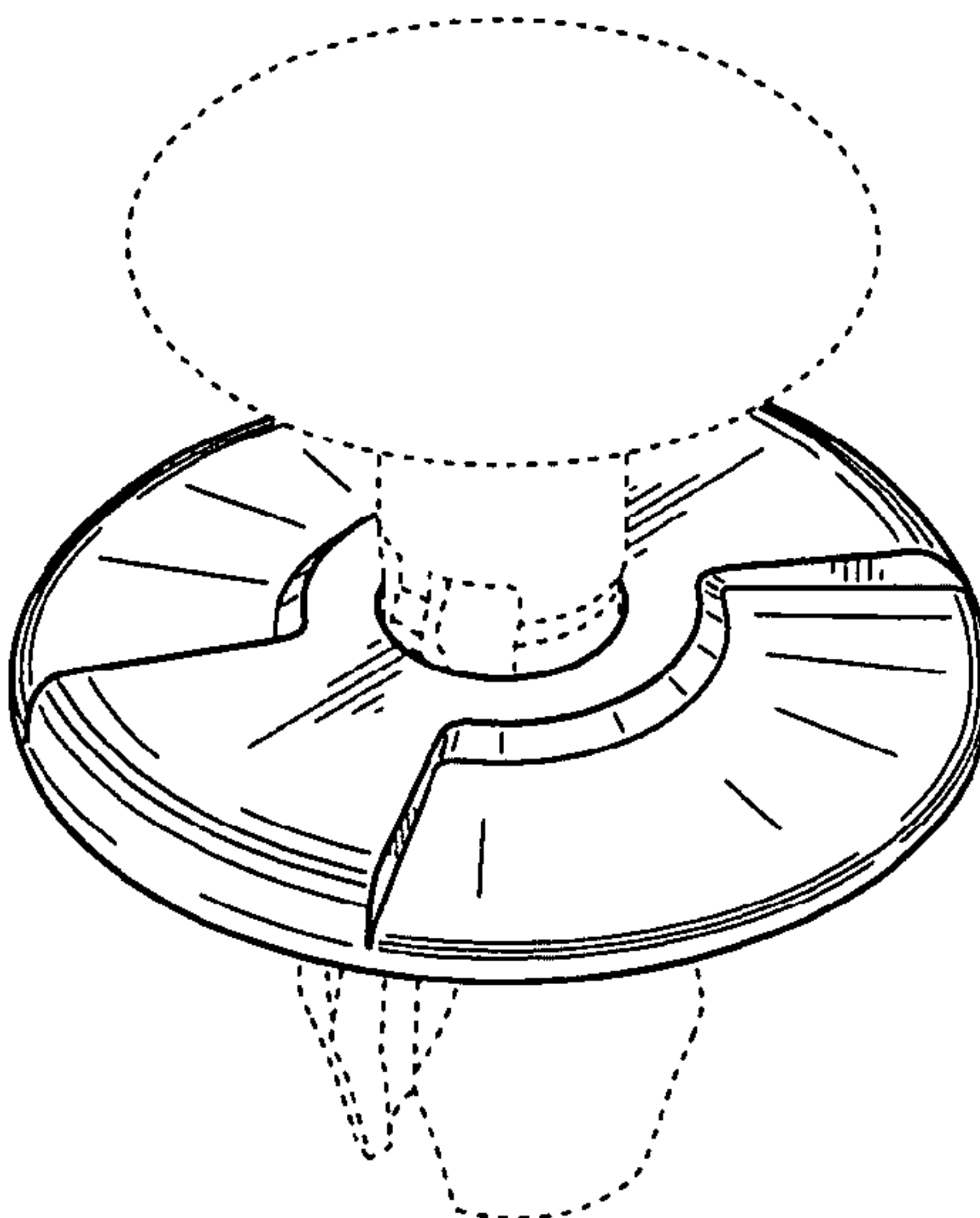
FIG. 4 is a top plan view thereof;

FIG. 5 is a bottom view thereof; and,

FIG. 6 is a top plan view of female component thereof.

The elements shown in broken lines are for illustrative purposes only and form no part of the claimed design.

1 Claim, 3 Drawing Sheets



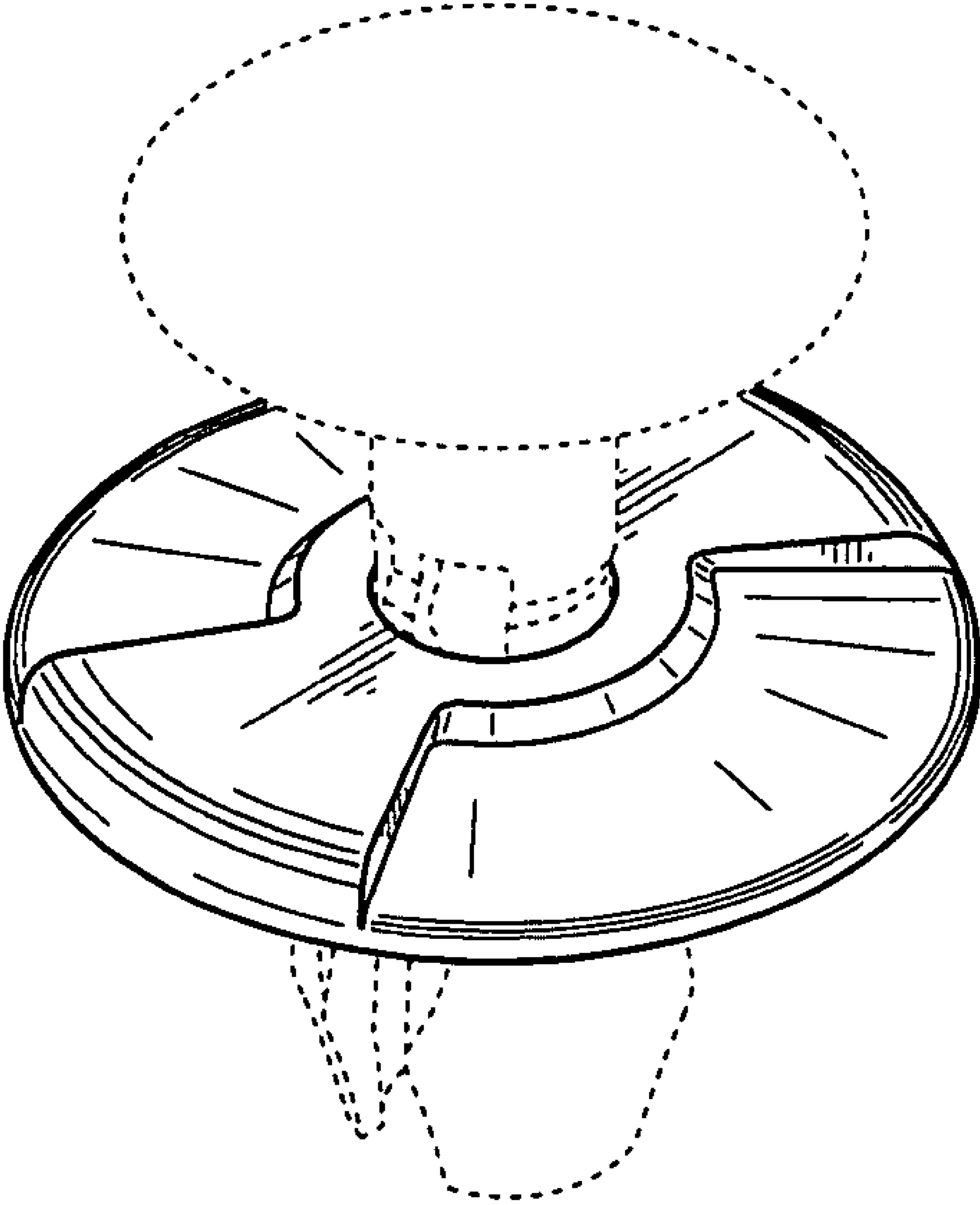


FIG. 1

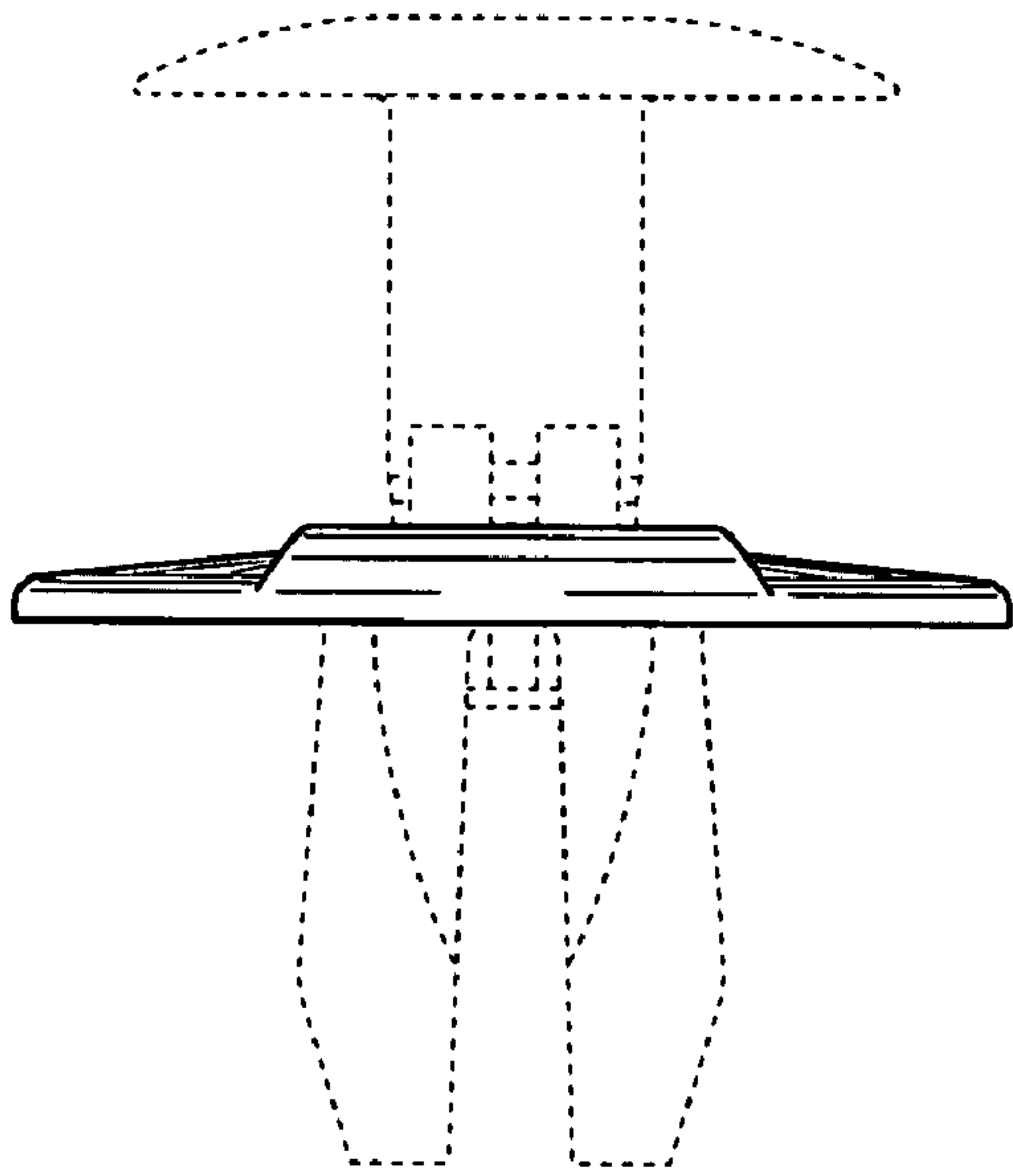


FIG. 2

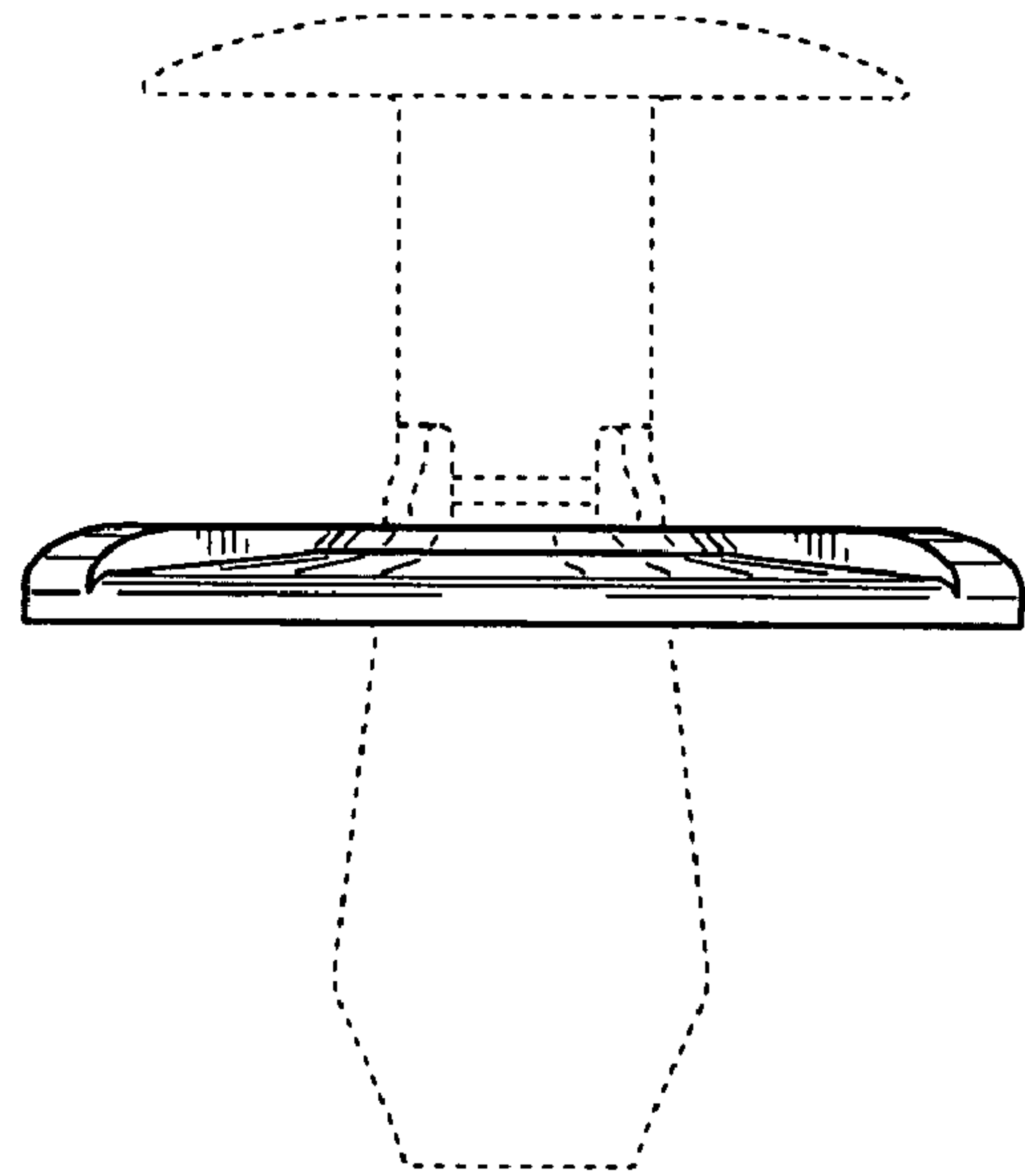


FIG. 3

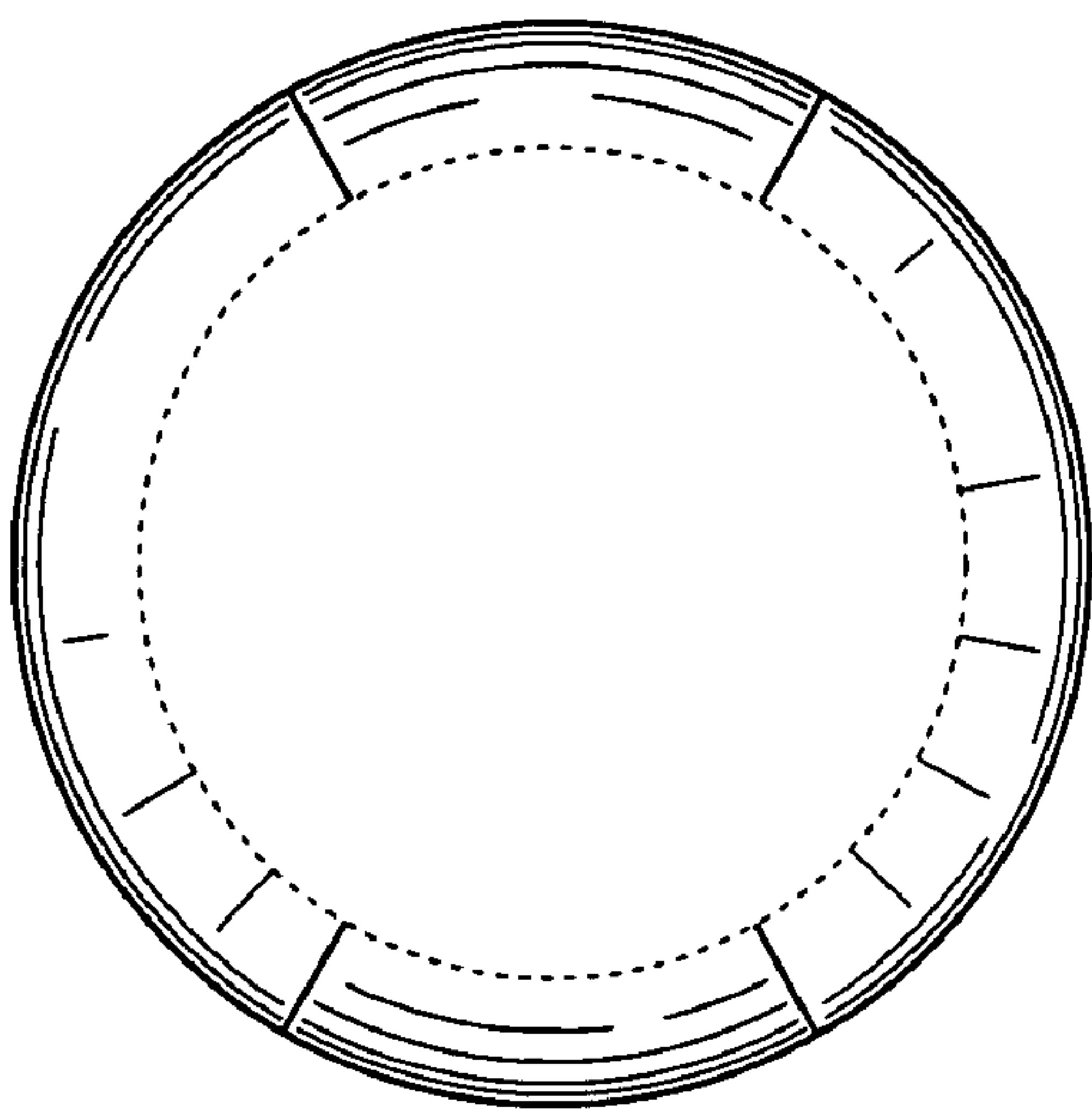


FIG. 4

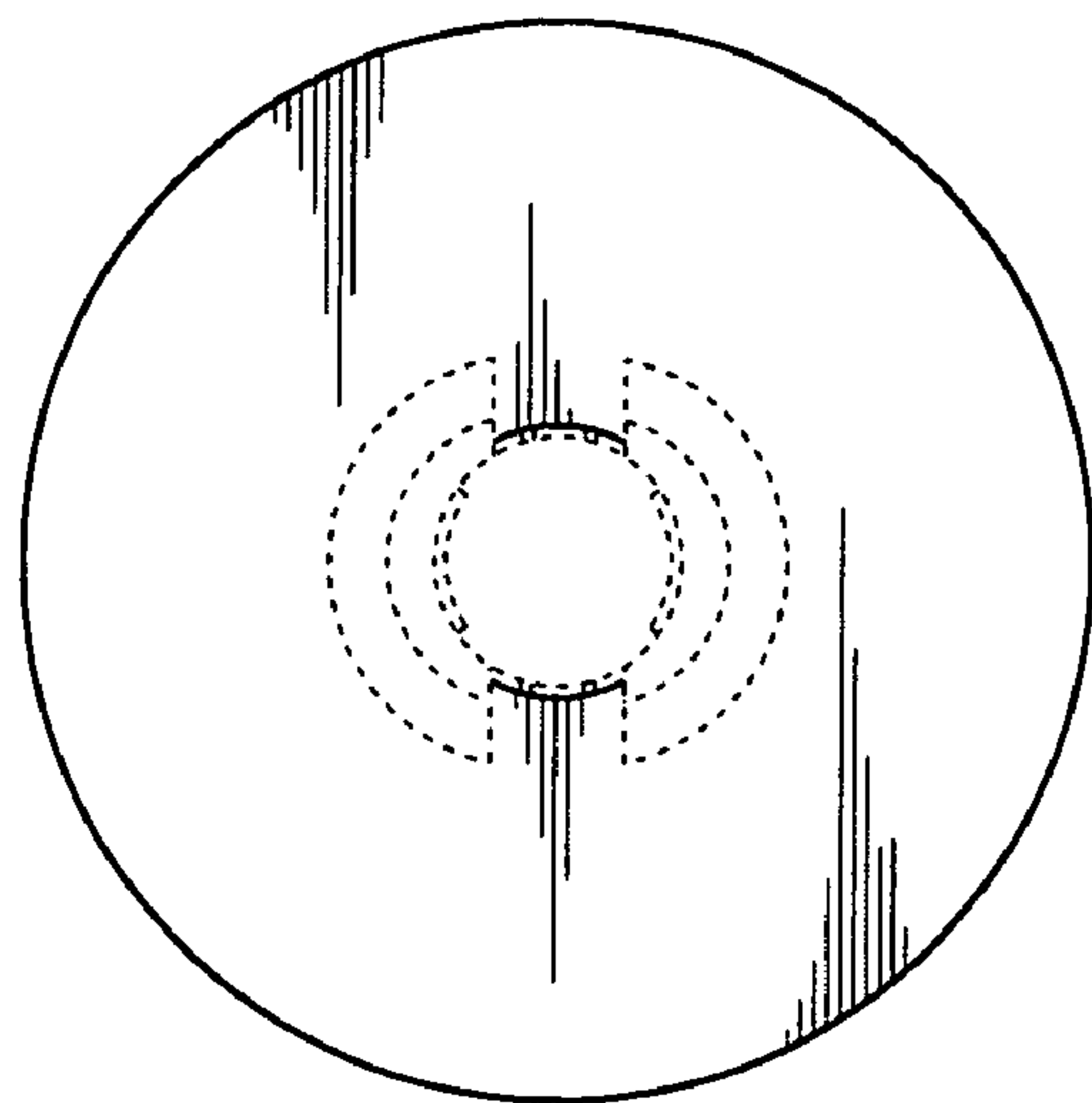


FIG. 5

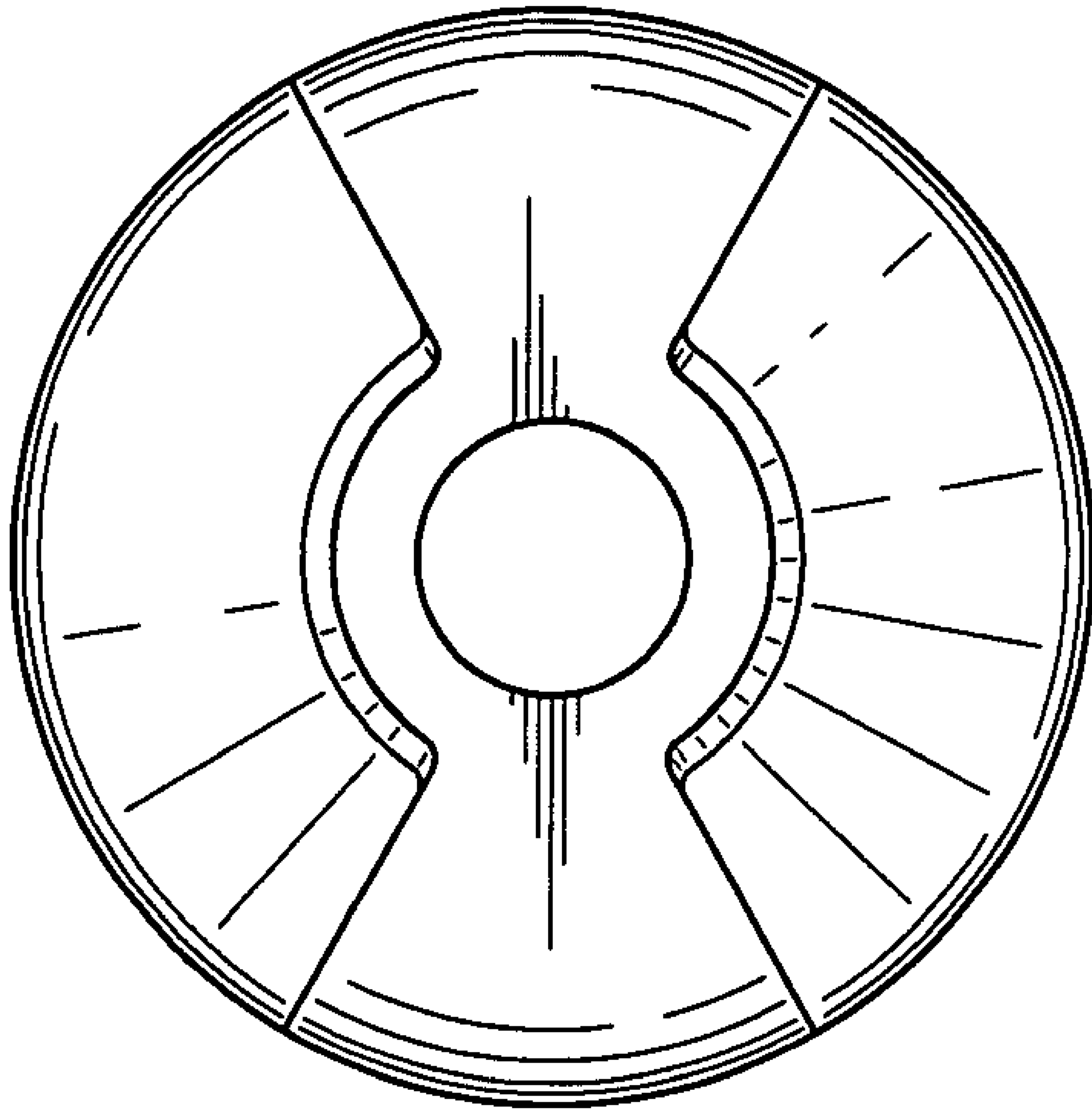


FIG. 6