

US00D566531S

(12) **United States Design Patent**  
**Massoumi et al.**

(10) **Patent No.:** **US D566,531 S**  
(45) **Date of Patent:** **\*\* Apr. 15, 2008**

(54) **MOUNT**

(76) Inventors: **Reza Massoumi**, 5741 Buckingham Pkwy., Unit C, Culver City, CA (US) 90230; **Sam Gharemanpour**, 5741 Buckingham Pkwy., Unit C, Culver City, CA (US) 90230

(\*\*) Term: **14 Years**

(21) Appl. No.: **29/288,442**

(22) Filed: **Jun. 12, 2007**

(51) **LOC (8) Cl.** ..... **08-05**

(52) **U.S. Cl.** ..... **D8/363; D14/452**

(58) **Field of Classification Search** ..... D8/363; 248/274.1, 278.1, 284.1; D14/452, 451  
See application file for complete search history.

(56) **References Cited**

**U.S. PATENT DOCUMENTS**

D494,183 S *	8/2004	Wills et al. ....	D14/452
D529,033 S *	9/2006	Hung .....	D14/452
D534,789 S *	1/2007	Worrall et al. ....	D8/363
D536,603 S *	2/2007	Worrall et al. ....	D8/363

D537,706 S *	3/2007	Ly Hau et al. ....	D8/363
D538,633 S *	3/2007	Ly Hau et al. ....	D8/363
D539,123 S *	3/2007	Ly Hau et al. ....	D8/363
D543,210 S *	5/2007	Stenhouse et al. ....	D14/452
D543,547 S *	5/2007	Muday et al. ....	D14/452
D543,548 S *	5/2007	Muday et al. ....	D14/452
2004/0011932 A1 *	1/2004	Duff .....	248/157

\* cited by examiner

*Primary Examiner*—Holly H. Baynham

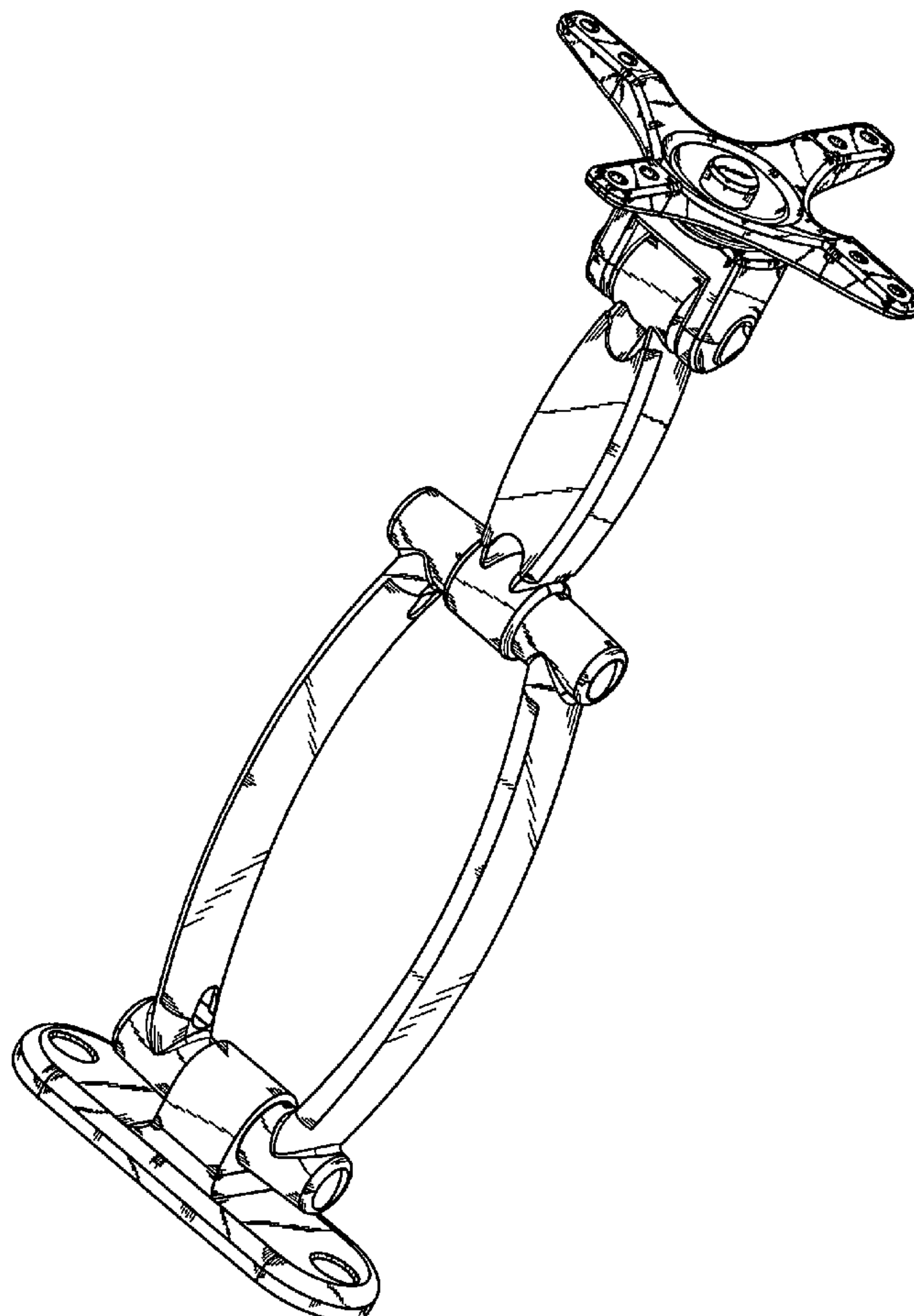
(57) **CLAIM**

The ornamental design for a mount, as shown and described.

**DESCRIPTION**

FIG. 1 is a side perspective view of the mount.  
FIG. 2 is a left side view of the mount.  
FIG. 3 is a right side view of the mount.  
FIG. 4 is a top view of the mount.  
FIG. 5 is a bottom view of the mount.  
FIG. 6 is an enlarged front view of the mount; and,  
FIG. 7 is a back view of the mount.

**1 Claim, 6 Drawing Sheets**



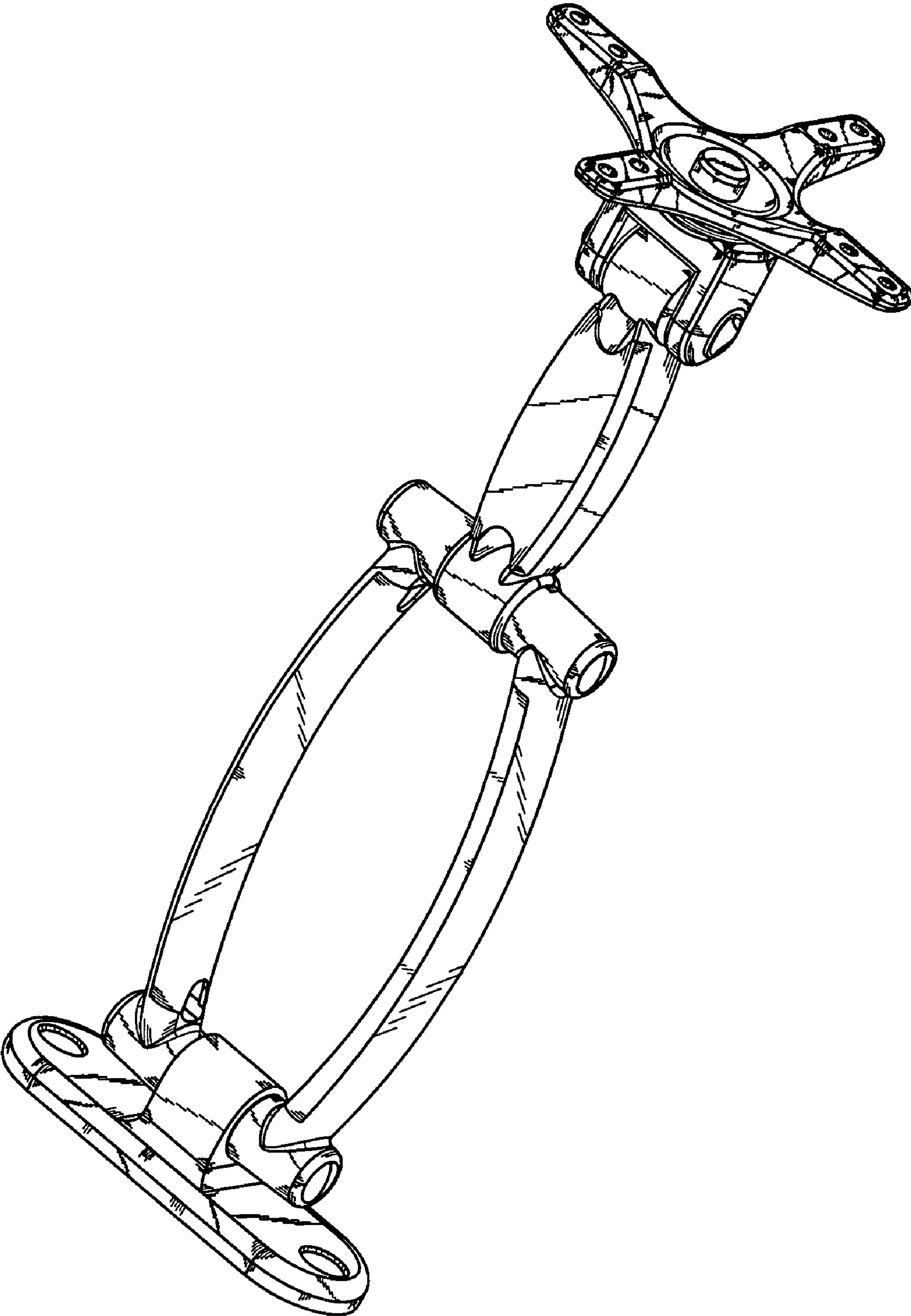


FIG. 1

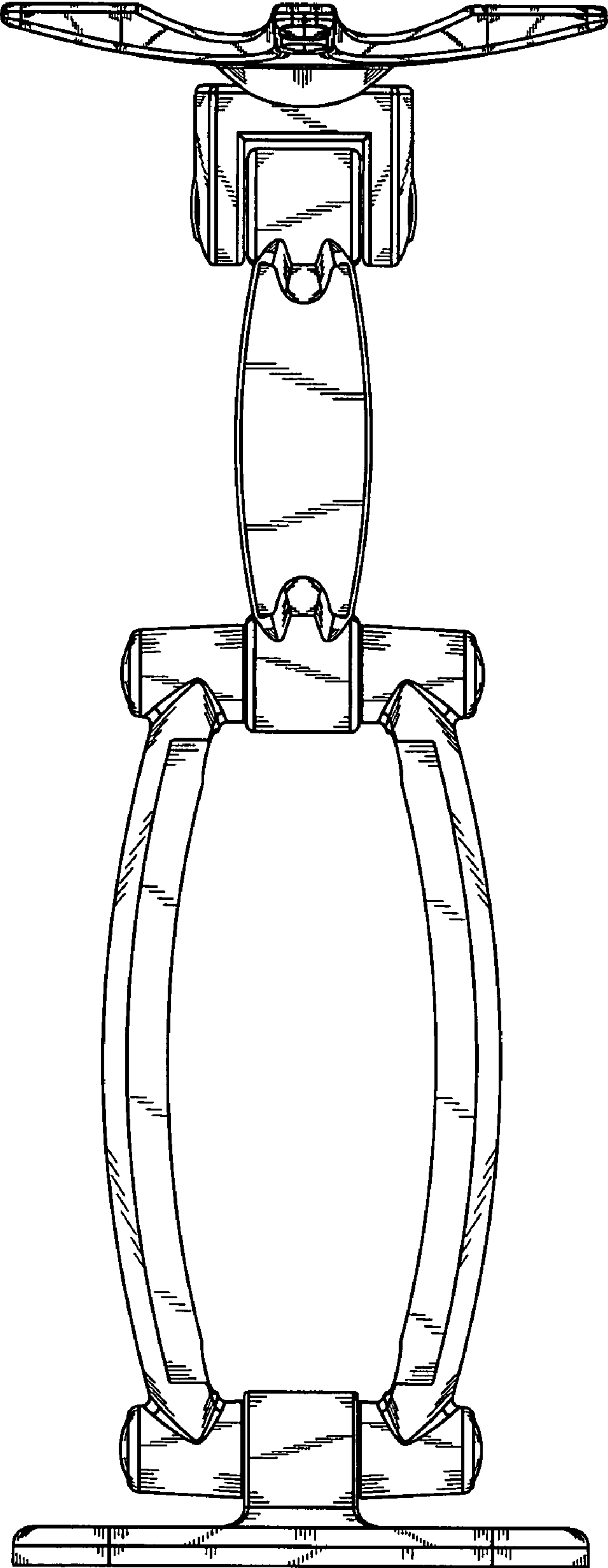


FIG. 2

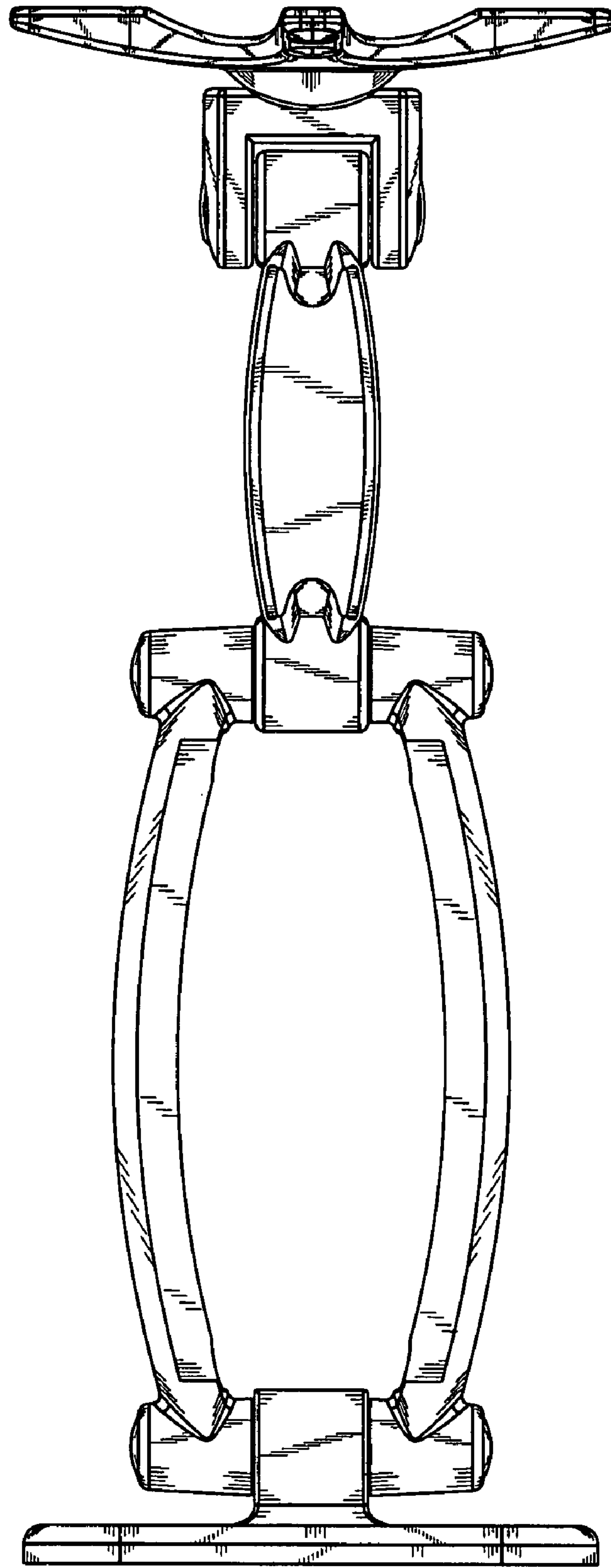


FIG. 3

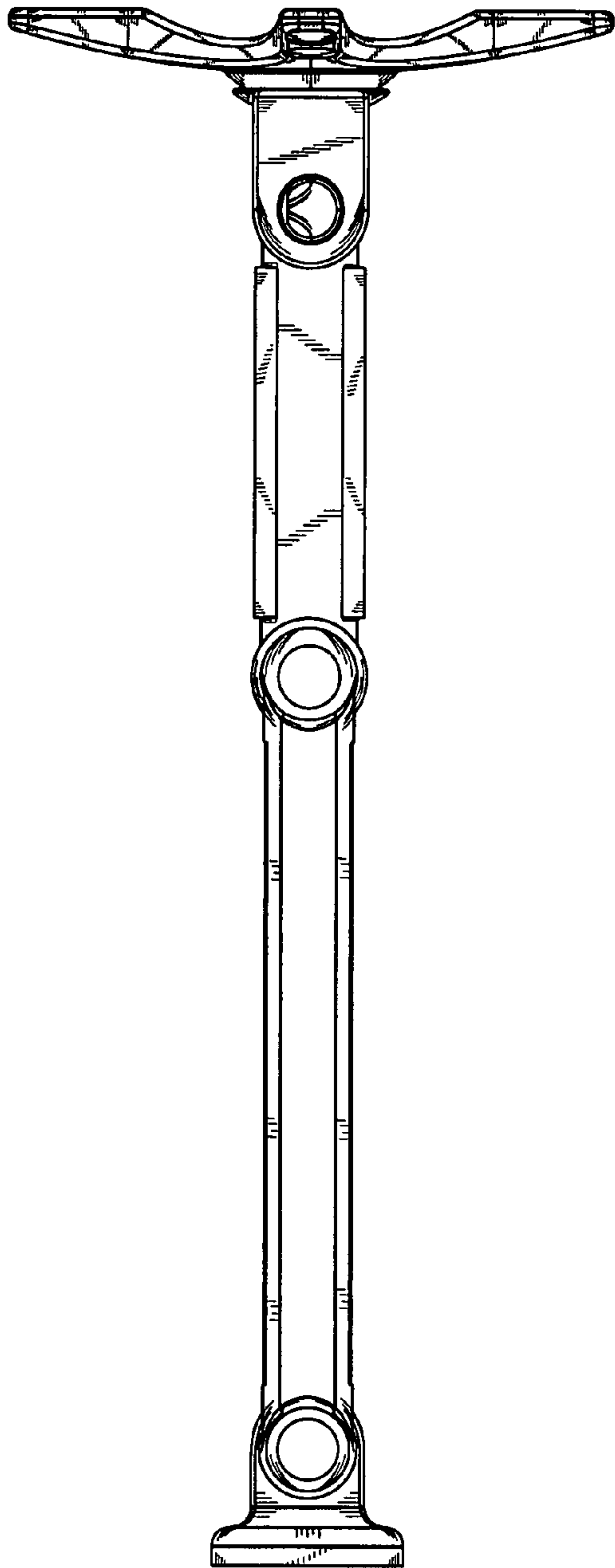


FIG. 4

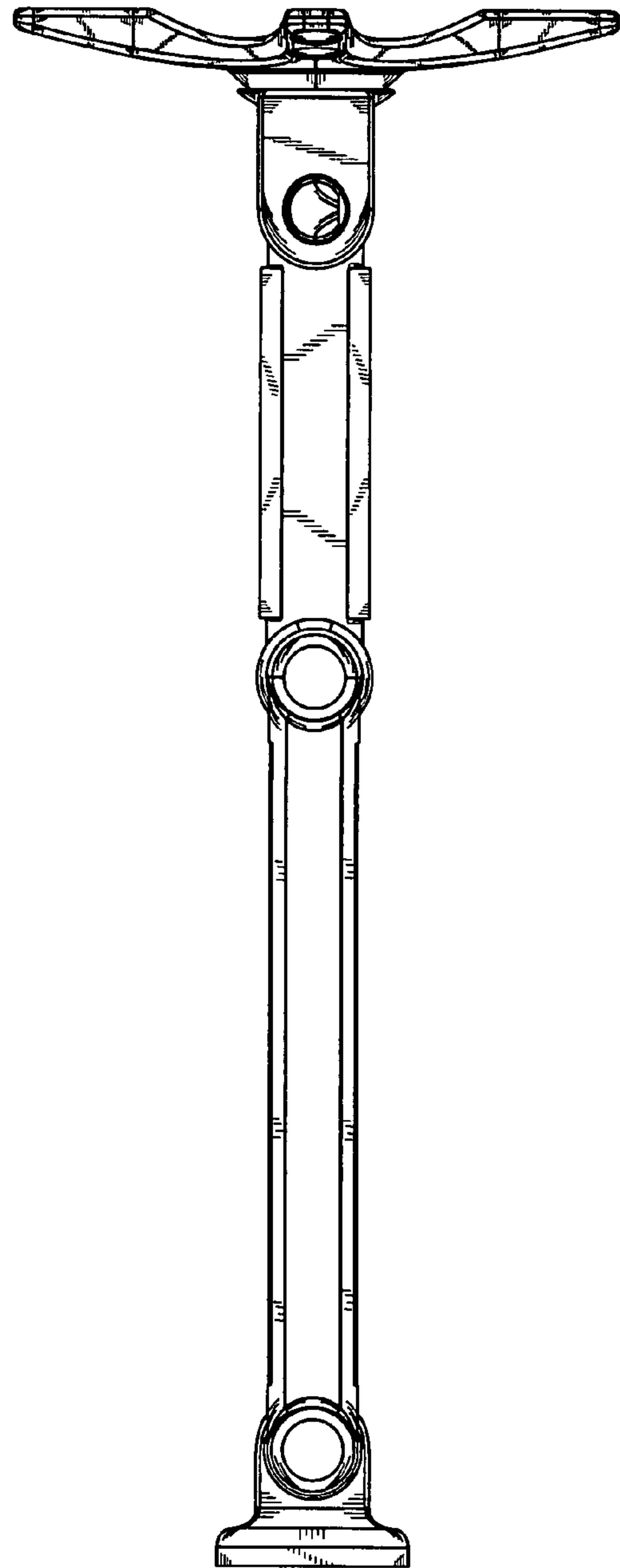


FIG. 5

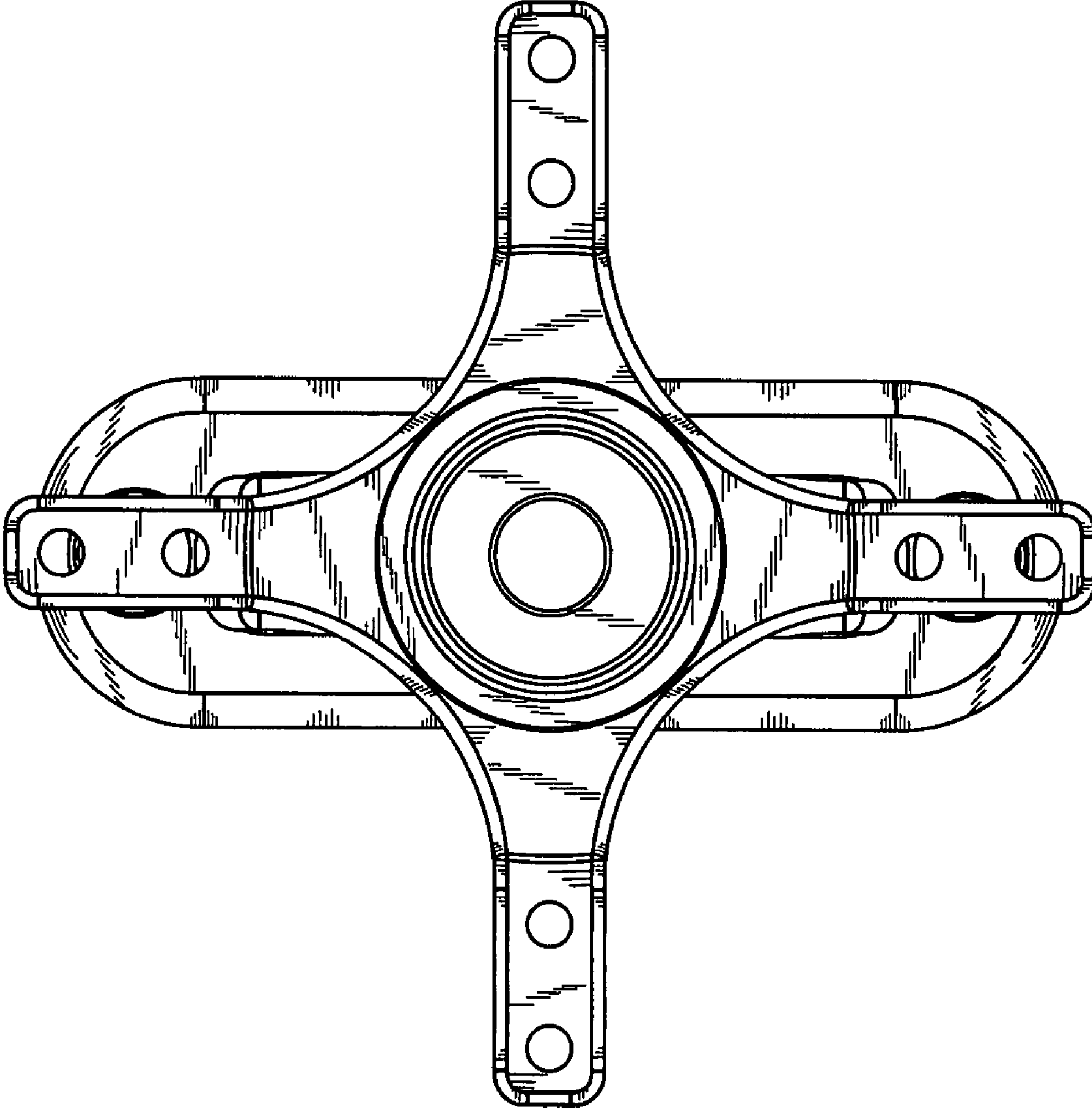


FIG. 6



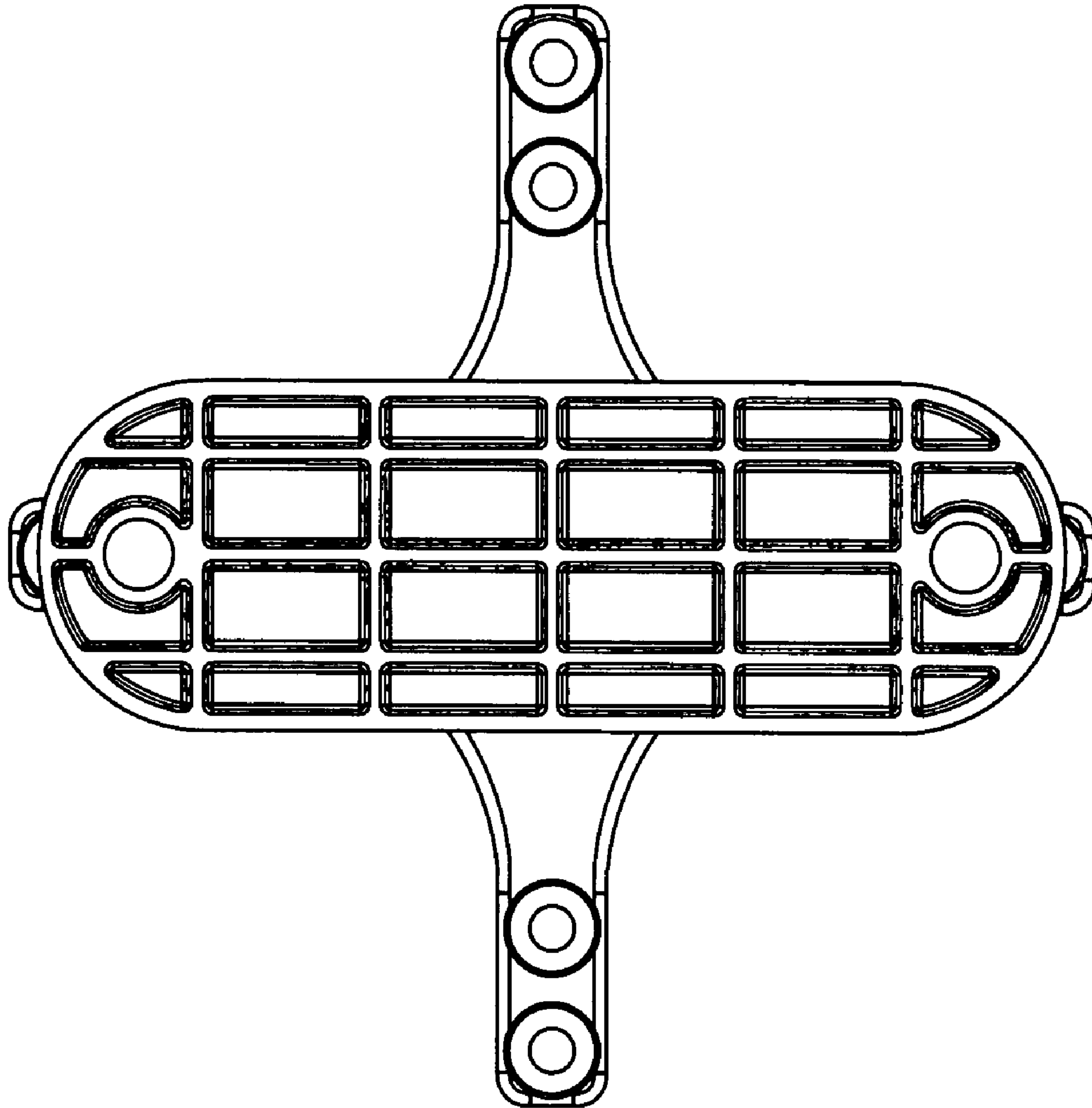


FIG. 7