



US00D566530S

(12) **United States Design Patent**
Brassard

(10) **Patent No.:** **US D566,530 S**

(45) **Date of Patent:** **** Apr. 15, 2008**

(54) **WINDSHIELD MOUNT**

(76) Inventor: **Paul Brassard**, 20 La Porte, Arcadia,
CA (US) 91006

(**) Term: **14 Years**

(21) Appl. No.: **29/257,645**

(22) Filed: **Apr. 6, 2006**

(51) **LOC (8) Cl.** **08-05**

(52) **U.S. Cl.** **D8/363**

(58) **Field of Classification Search** D8/363,
D8/373; D14/434, 451, 251, 253; 248/274.1,
248/284.1, 205.8, 160, 206.2

See application file for complete search history.

(56) **References Cited**

U.S. PATENT DOCUMENTS

D258,115 S *	2/1981	Piatek	D8/373
D269,945 S *	8/1983	Carney	D8/355
D337,333 S *	7/1993	Turk	D14/251
D410,622 S *	6/1999	Richter	D12/425
D487,270 S *	3/2004	Richter	D14/447

* cited by examiner

Primary Examiner—Holly H. Baynham

(57) **CLAIM**

The ornamental design for “windshield mount,” as shown.

DESCRIPTION

FIG. 1 is a top perspective view of a “windshield mount” showing my new design;

FIG. 2 is a bottom perspective view thereof;

FIG. 3 is an exploded bottom perspective view thereof;

FIG. 4 is a top plan view thereof;

FIG. 5 is a bottom plan view thereof;

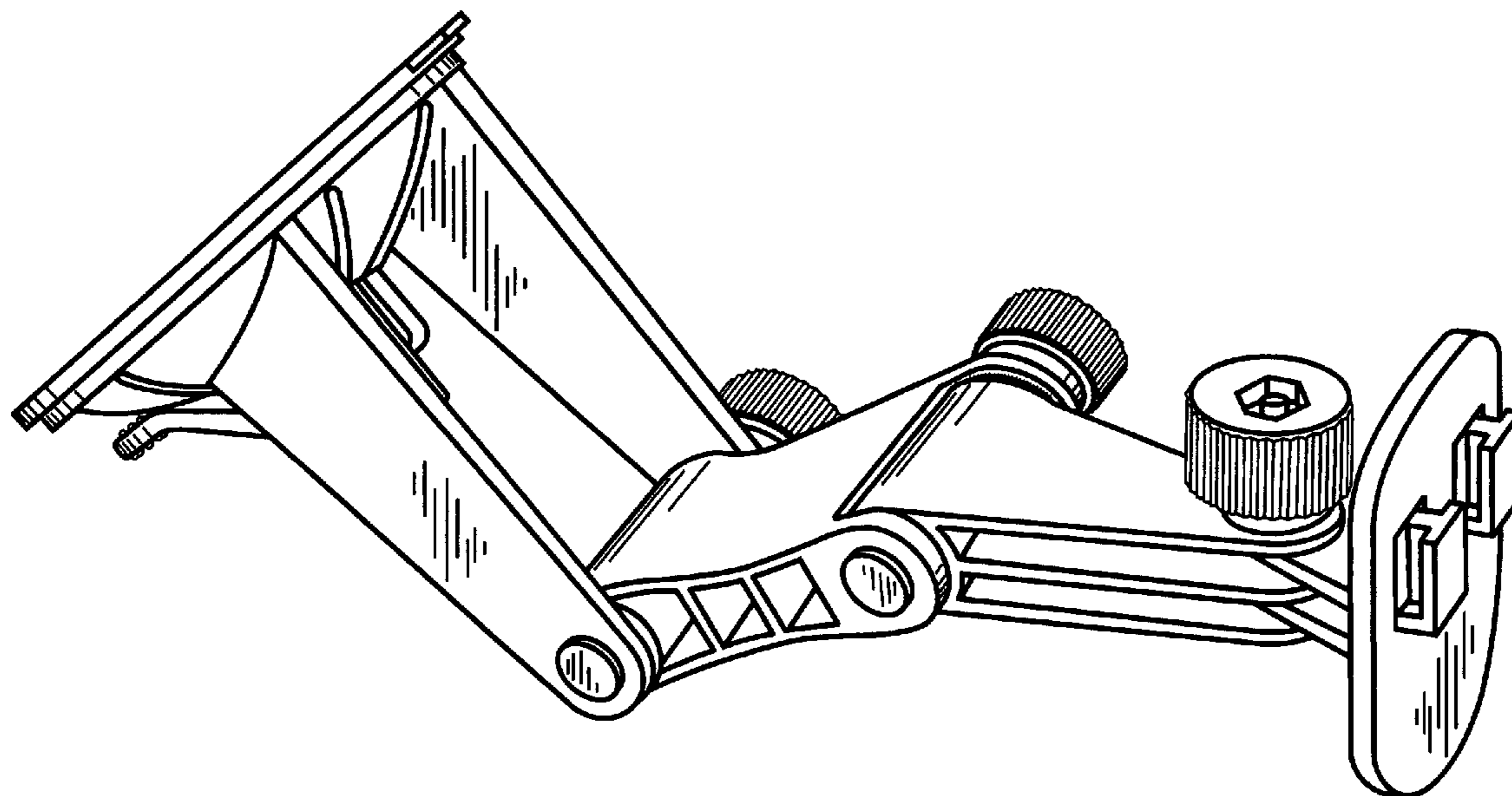
FIG. 6 is a right side view thereof;

FIG. 7 is a left side view thereof;

FIG. 8 is a front view thereof; and,

FIG. 9 is a bottom view thereof.

1 Claim, 6 Drawing Sheets



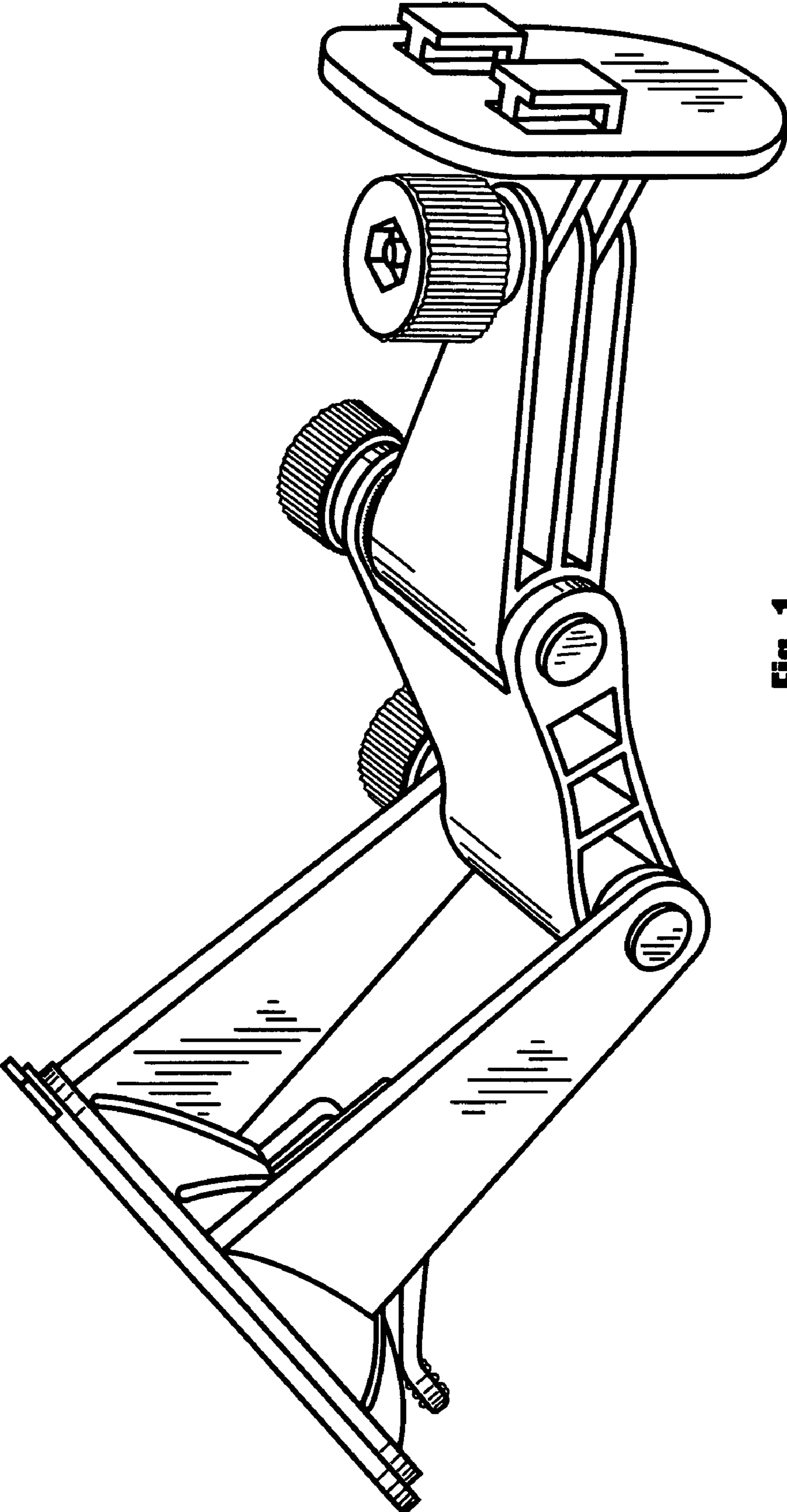


Fig. 1

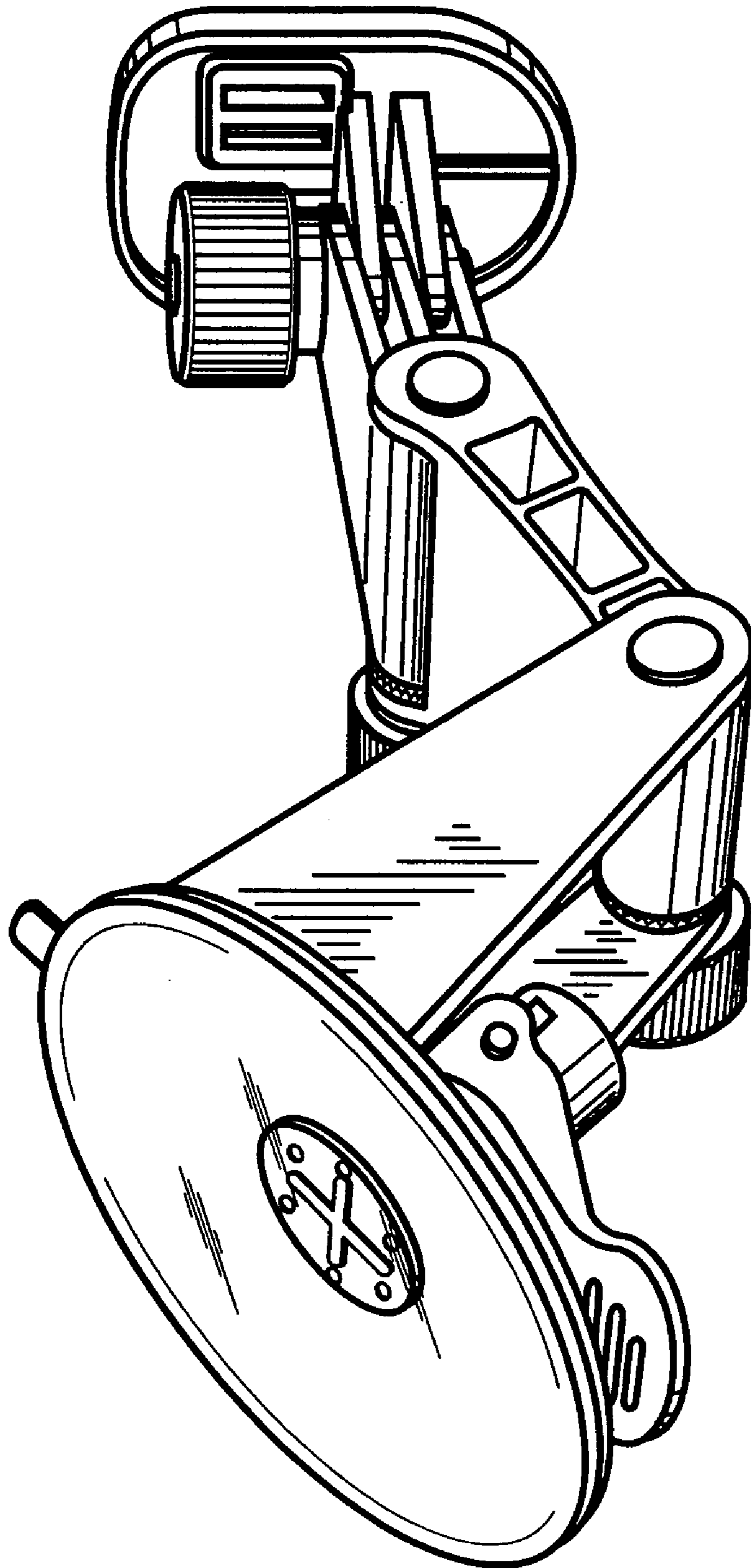


Fig. 2

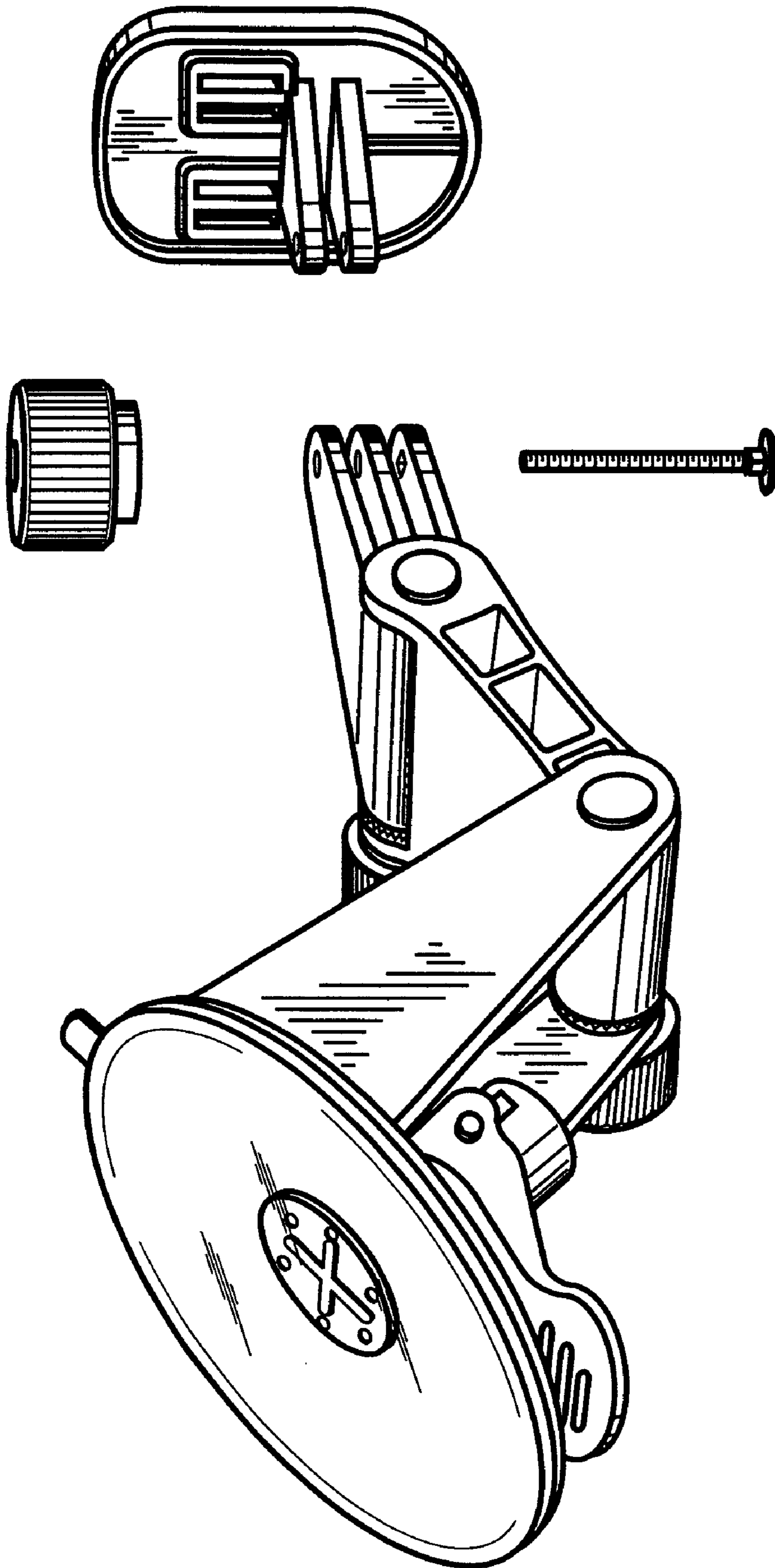


Fig. 3

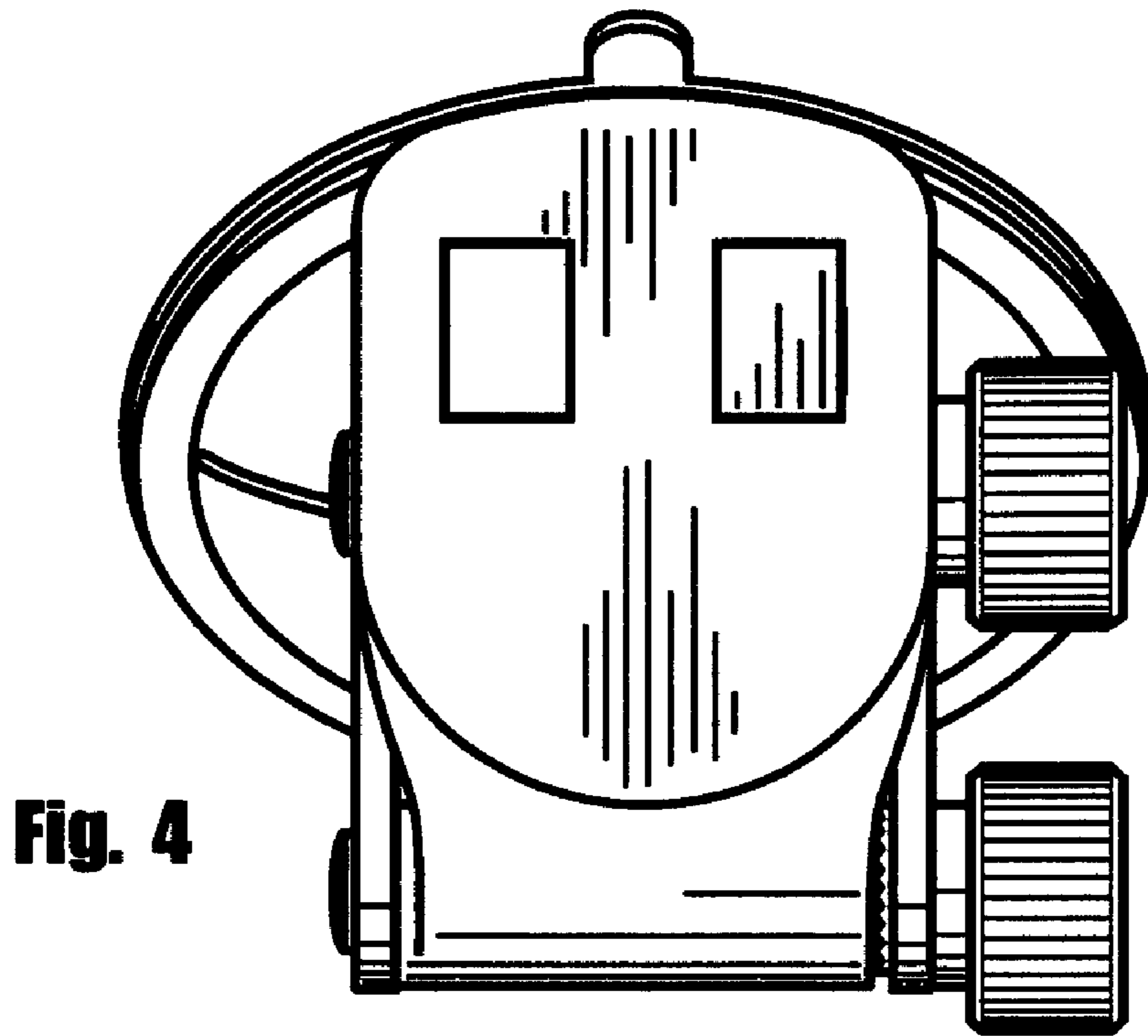


Fig. 4

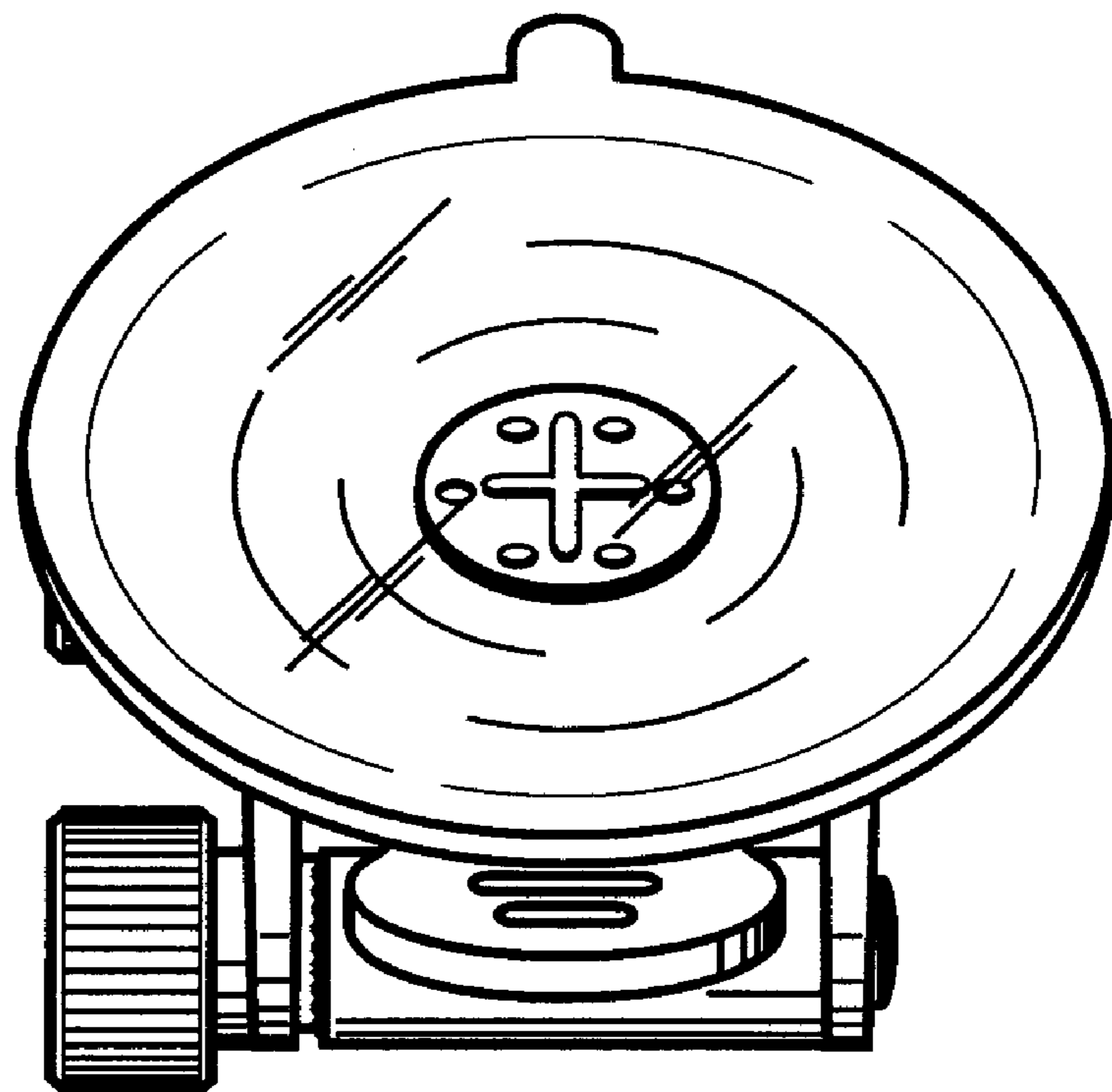


Fig. 5

