



US00D566529S

(12) **United States Design Patent**  
**Black**

(10) **Patent No.:** **US D566,529 S**

(45) **Date of Patent:** **\*\* Apr. 15, 2008**

(54) **ELECTRICAL WIRE HELPER**

(76) Inventor: **Kim K. Black**, 1608 W. Avenue B,  
Muleshoe, TX (US) 79347-3034

(\*\*) Term: **14 Years**

(21) Appl. No.: **29/257,736**

(22) Filed: **Apr. 10, 2006**

(51) **LOC (8) Cl.** ..... **08-05**

(52) **U.S. Cl.** ..... **D8/358**

(58) **Field of Classification Search** ..... D8/359,  
D8/358, 356; D7/540; D34/25, 24, 14-19;  
D21/800; 242/405, 398, 395, 390.1, 389-390,  
242/470, 103, 598.5; 239/198, 197; 137/355.26-28,  
137/355.2, 355.19; D10/72  
See application file for complete search history.

(56) **References Cited**

**U.S. PATENT DOCUMENTS**

1,339,785	A *	5/1920	Perrine	.....	137/355.27
2,650,771	A *	9/1953	Marion	.....	242/470
3,784,125	A	1/1974	Law et al.		
4,917,362	A	4/1990	Wilson		
5,074,483	A	12/1991	Wang		

D347,950	S *	6/1994	Cisero et al.	.....	D8/358
D351,333	S *	10/1994	Nelson et al.	.....	D8/359
5,462,298	A *	10/1995	Bodine	.....	242/403
D375,251	S *	11/1996	Stevens et al.	.....	D8/359
5,692,701	A *	12/1997	Holliday	.....	242/598.5
D400,083	S *	10/1998	Bodine	.....	D8/359
D518,361	S *	4/2006	Jassenoff	.....	D8/358

\* cited by examiner

*Primary Examiner*—Gary D. Watson

*Assistant Examiner*—Susan Bennett Hattan

(74) *Attorney, Agent, or Firm*—Raymond M. Galasso;  
Galasso & Associates, LP

(57) **CLAIM**

The ornamental design for a electrical wire helper, as shown.

**DESCRIPTION**

FIG. 1 is a left side perspective view of an electrical wire helper;

FIG. 2 is a bottom view thereof;

FIG. 3 is a side elevational view thereof; and,

FIG. 4 is a right side perspective view thereof.

**1 Claim, 4 Drawing Sheets**

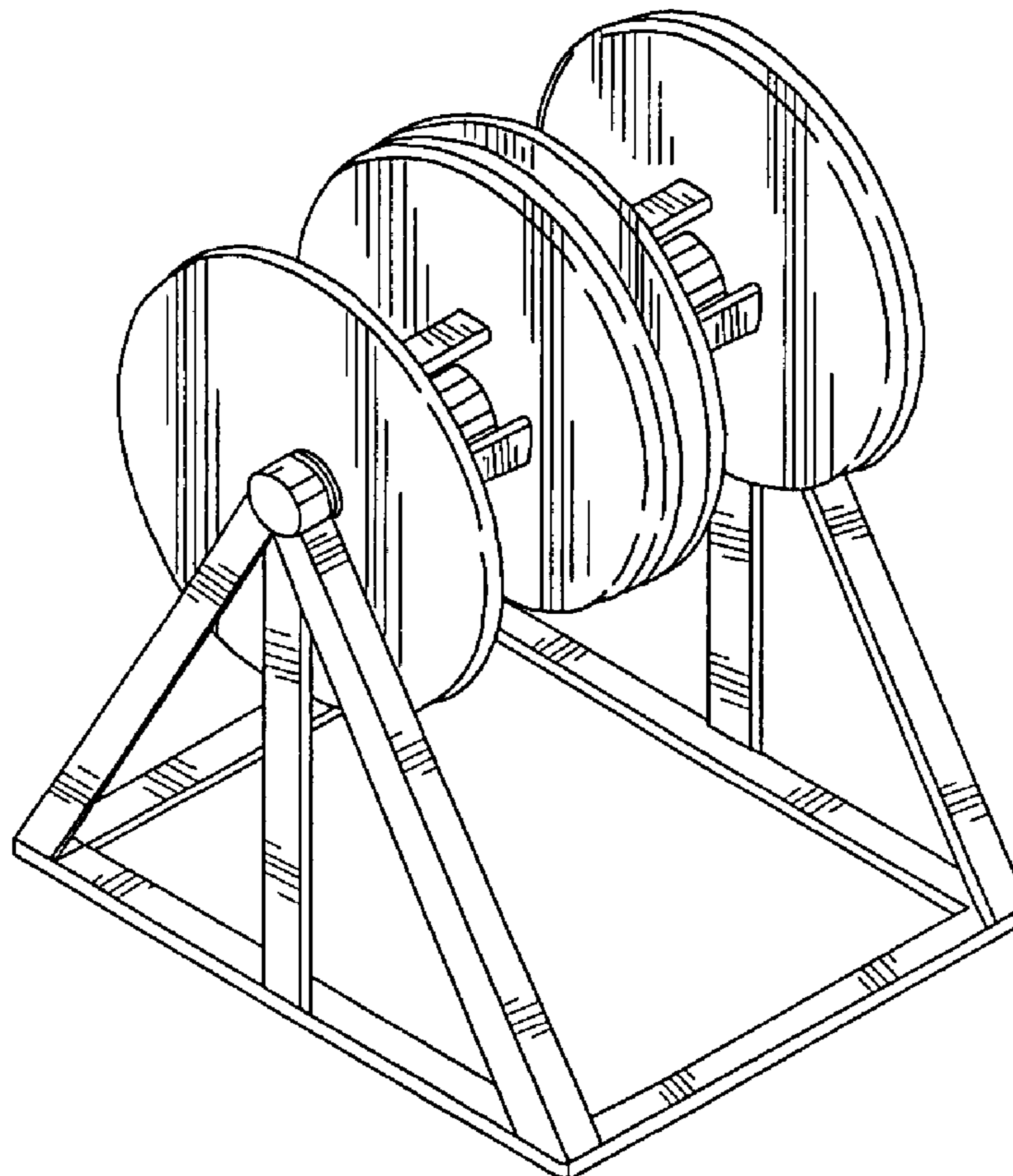


FIG. 1

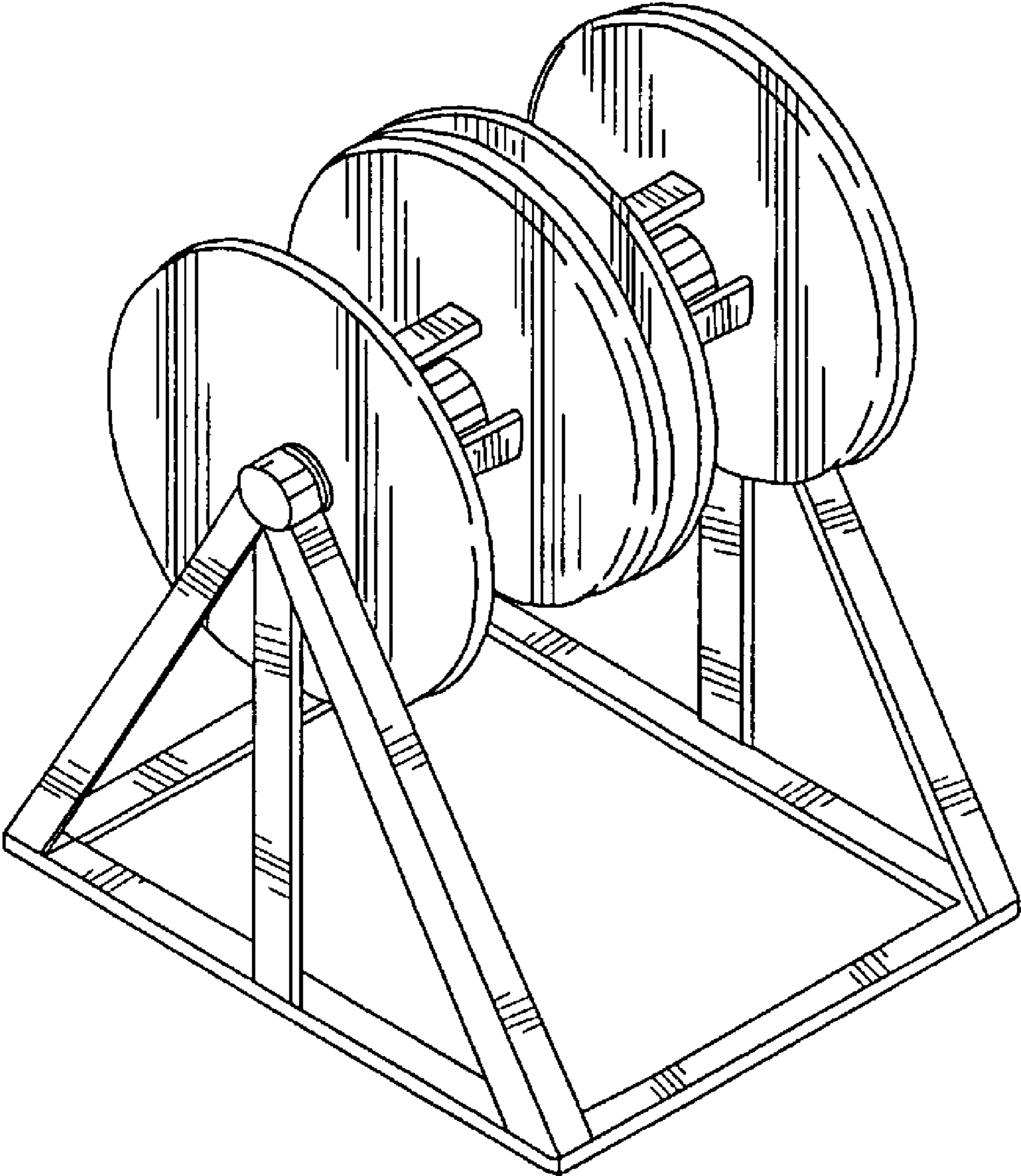
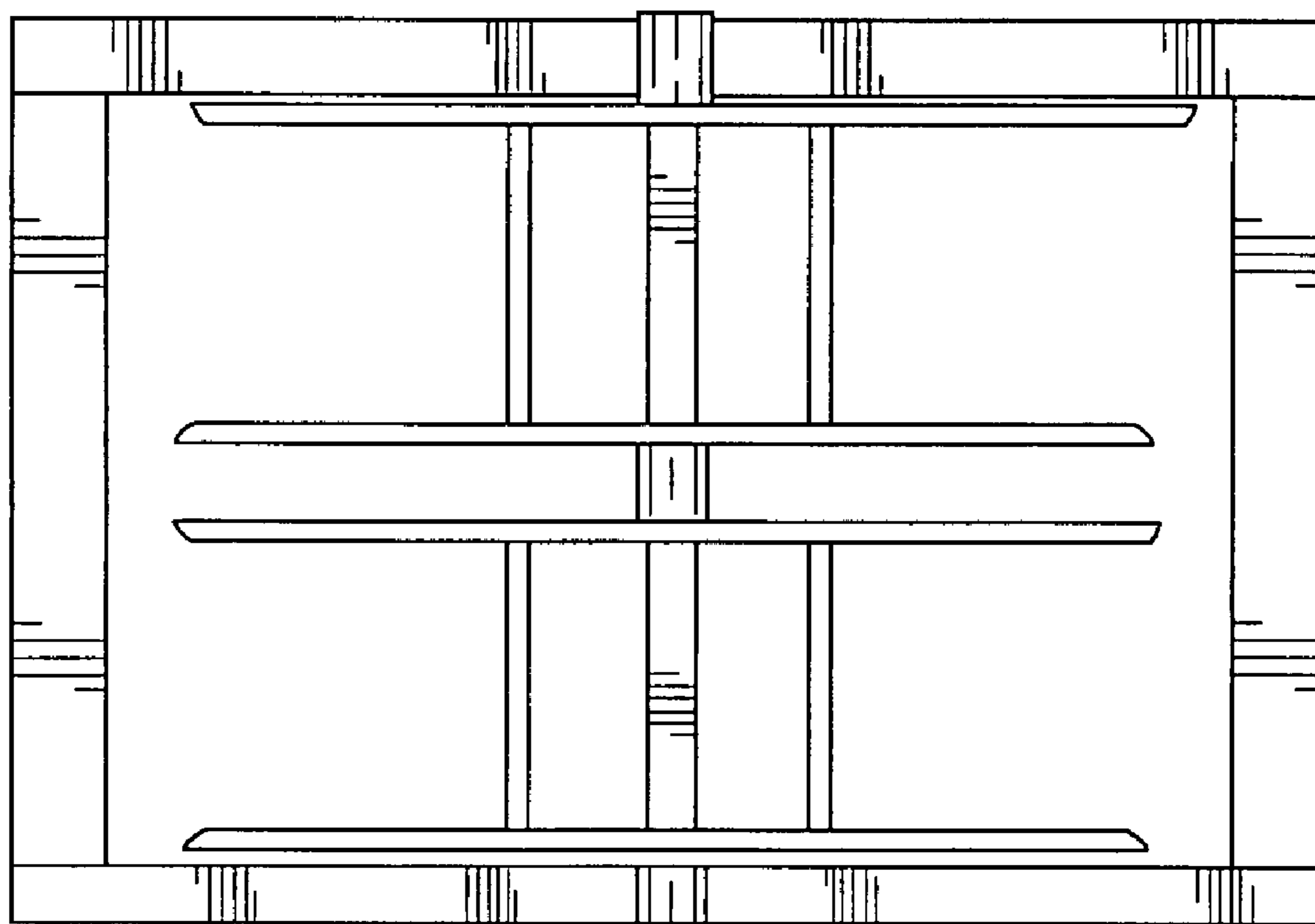
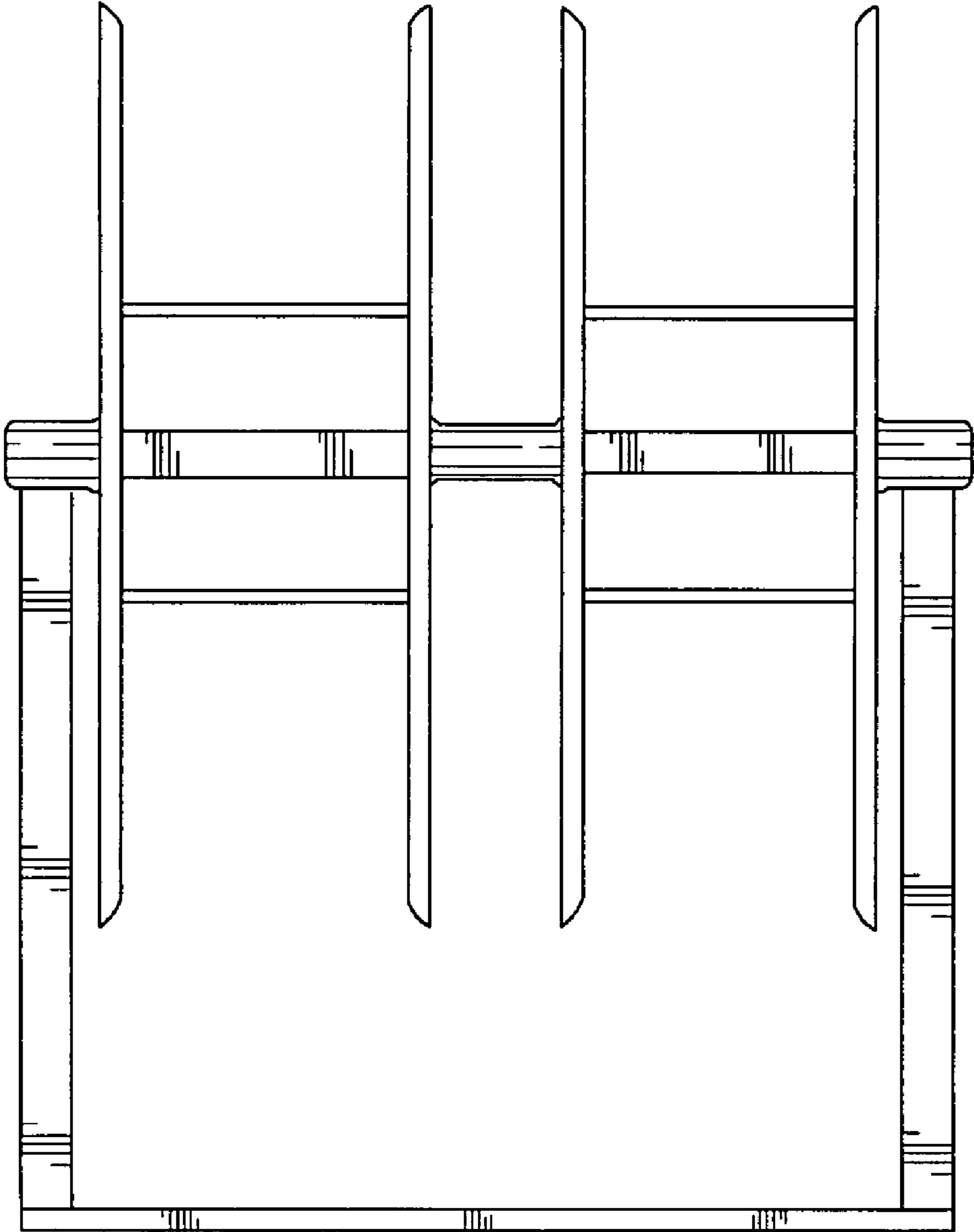


FIG. 2



**FIG. 3**



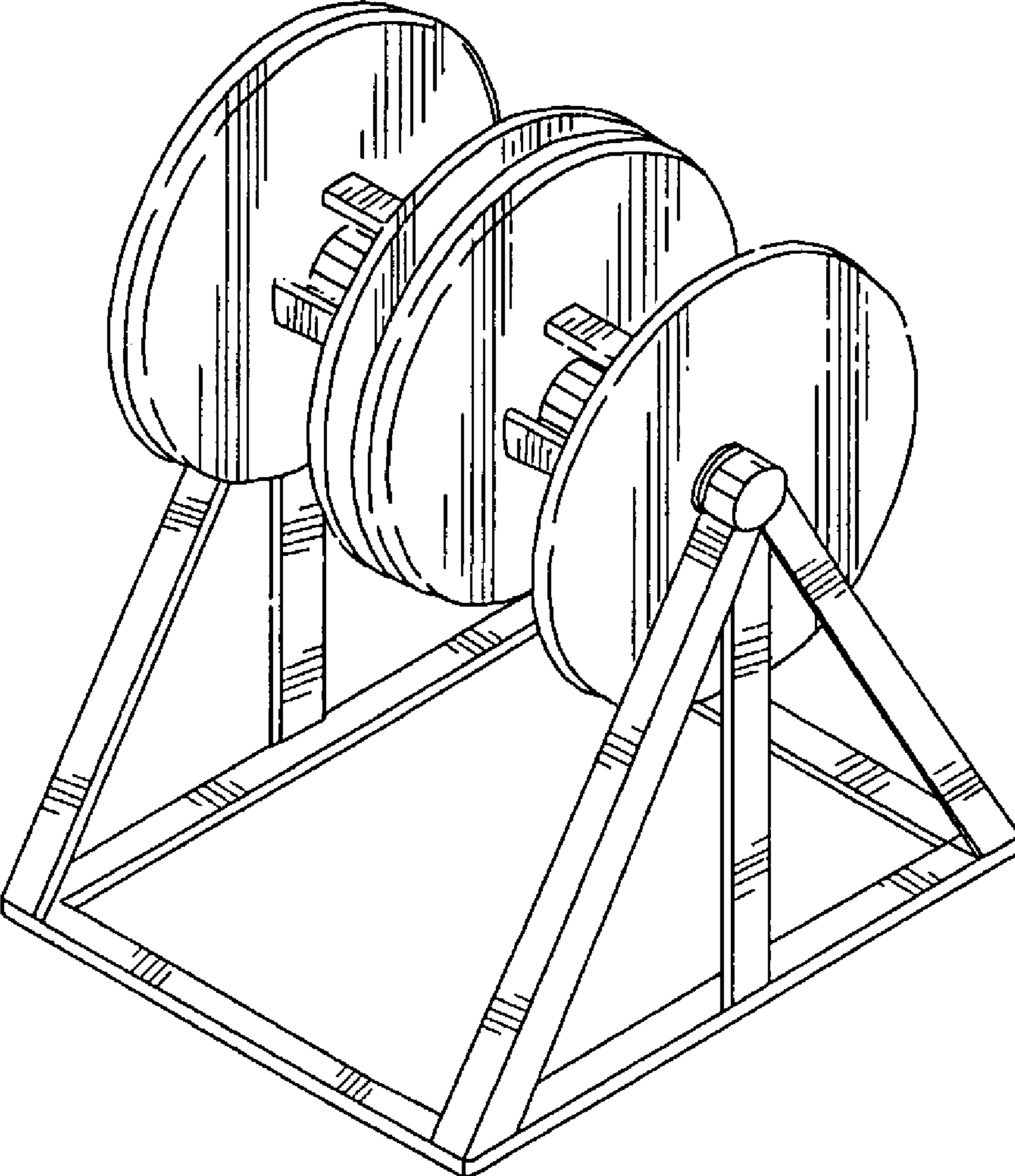


FIG. 4