

US00D566526S

(12) **United States Design Patent** (10) **Patent No.:** **US D566,526 S**
Robbins, III et al. (45) **Date of Patent:** **** Apr. 15, 2008**

(54) **FENCE BRACKET**

(75) Inventors: **Edward S. Robbins, III**, 2802 Avalon Ave., Muscle Shoals, AL (US) 35661;
Jason T. Reiff, N. Mankato, MN (US);
Harry L. Raney, Florence, AL (US);
John C. Saylor, Florence, AL (US)

(73) Assignee: **Edward S. Robbins, III**, Muscle Shoals, AL (US)

(**) Term: **14 Years**

(21) Appl. No.: **29/266,980**

(22) Filed: **Oct. 2, 2006**

(51) **LOC (8) Cl.** **08-05**

(52) **U.S. Cl.** **D8/354; D8/380**

(58) **Field of Classification Search** D8/394,
D8/382, 380, 363, 354; D3/220; D13/147,
D13/137.4, 137.3, 137.2; D11/220; 256/65.01–65.08,
256/58, 52, 49, 47; 248/909, 73, 68.1, 200
See application file for complete search history.

(56) **References Cited**

U.S. PATENT DOCUMENTS

1,657,939 A *	1/1928	Rockwell	248/73
D130,744 S	12/1941	Krasemann		
D207,067 S	2/1967	Griffin		
3,669,413 A	6/1972	Laible		
D263,788 S	4/1982	McKinnon et al.		
D266,223 S	9/1982	Swartz		
4,465,263 A	8/1984	Robbins, Jr.		
D285,647 S	9/1986	Sachs		
4,684,107 A	8/1987	Robbins, Jr.		
4,688,769 A	8/1987	Smrt		
4,709,887 A	12/1987	Bongiovanni et al.		
RE32,707 E	7/1988	Robbins, Jr.		
4,860,996 A	8/1989	Robbins, III		
4,881,721 A	11/1989	Manley		

5,100,109 A	3/1992	Robbins, III		
5,189,766 A	3/1993	Weber		
D368,648 S *	4/1996	Losier	D8/380
5,547,322 A	8/1996	Lilja et al.		
5,615,850 A *	4/1997	Cloninger	248/68.1
5,660,505 A	8/1997	Emory, III		
D399,486 S	10/1998	Deans		
6,039,307 A	3/2000	De Zen		
6,152,429 A	11/2000	Pettigrew		
6,533,881 B1	3/2003	Wall		
D481,654 S *	11/2003	Matsui et al.	D11/220
D495,972 S *	9/2004	Pettingill	D11/220
D507,959 S	8/2005	Mottini		
D536,957 S *	2/2007	Reiff	D8/394

* cited by examiner

Primary Examiner—Gary D. Watson

Assistant Examiner—Susan Bennett Hattan

(74) *Attorney, Agent, or Firm*—Brinks Hofer Gilson & Lione

(57) **CLAIM**

We claim the ornamental design for a fence bracket, as shown and described.

DESCRIPTION

FIG. 1 is a front elevation view of a fence bracket of the present invention.

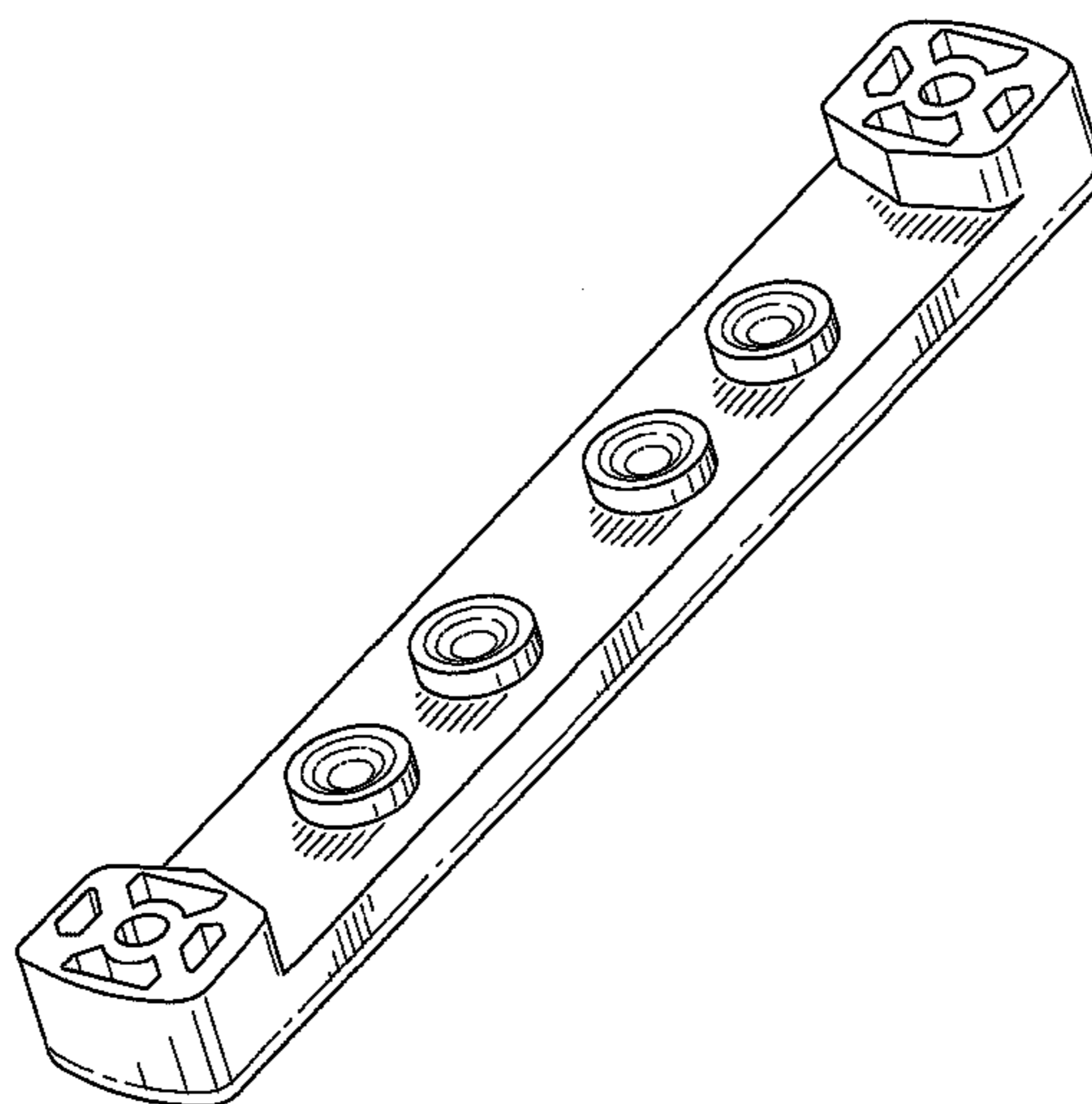
FIG. 2 is an elevation view of the opposite side of the fence bracket shown in FIG. 1.

FIG. 3 is an elevation view from the right side of FIG. 2, the opposite side being the mirror image thereof.

FIG. 4 is an elevation view from the bottom of FIG. 2, the opposite end being the mirror image thereof; and,

FIG. 5 is a perspective view from the bottom right of FIG. 2.

1 Claim, 3 Drawing Sheets



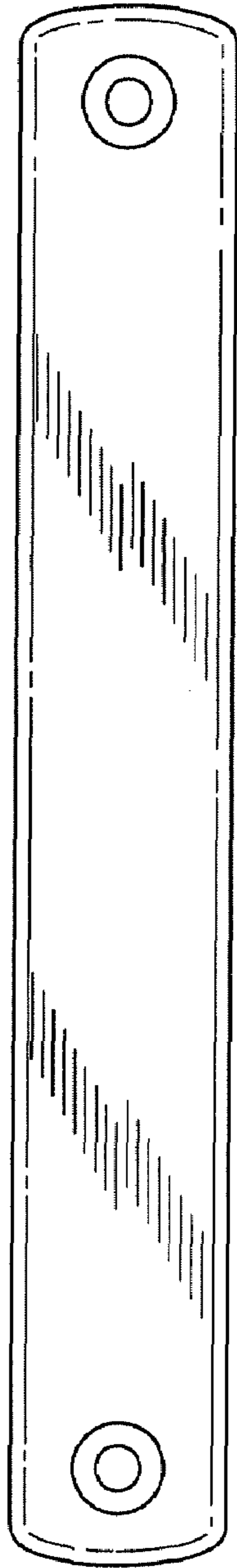


Fig. 1

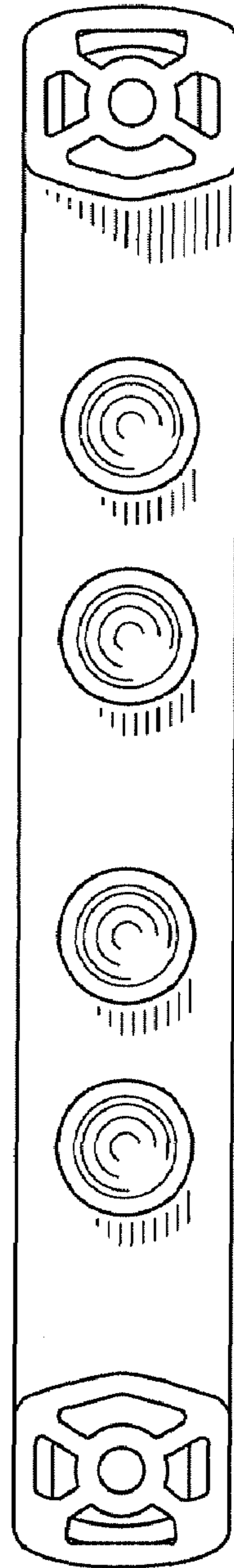


Fig. 2

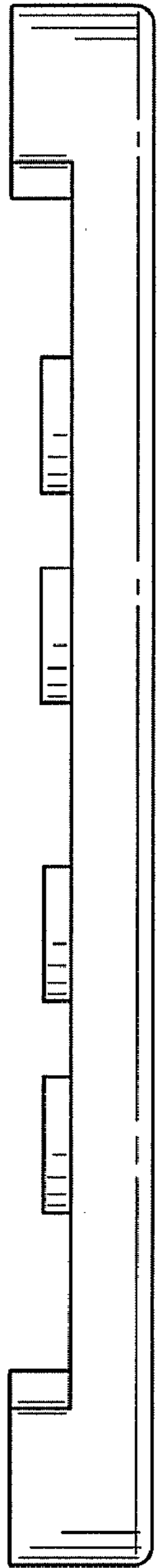


Fig. 3

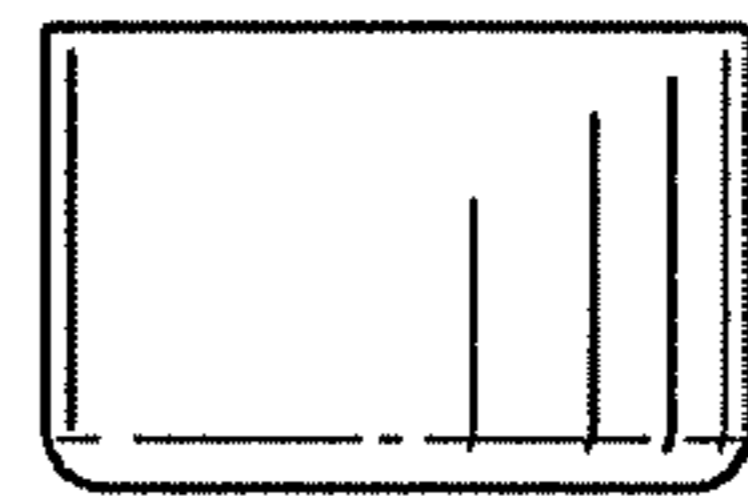


Fig. 4

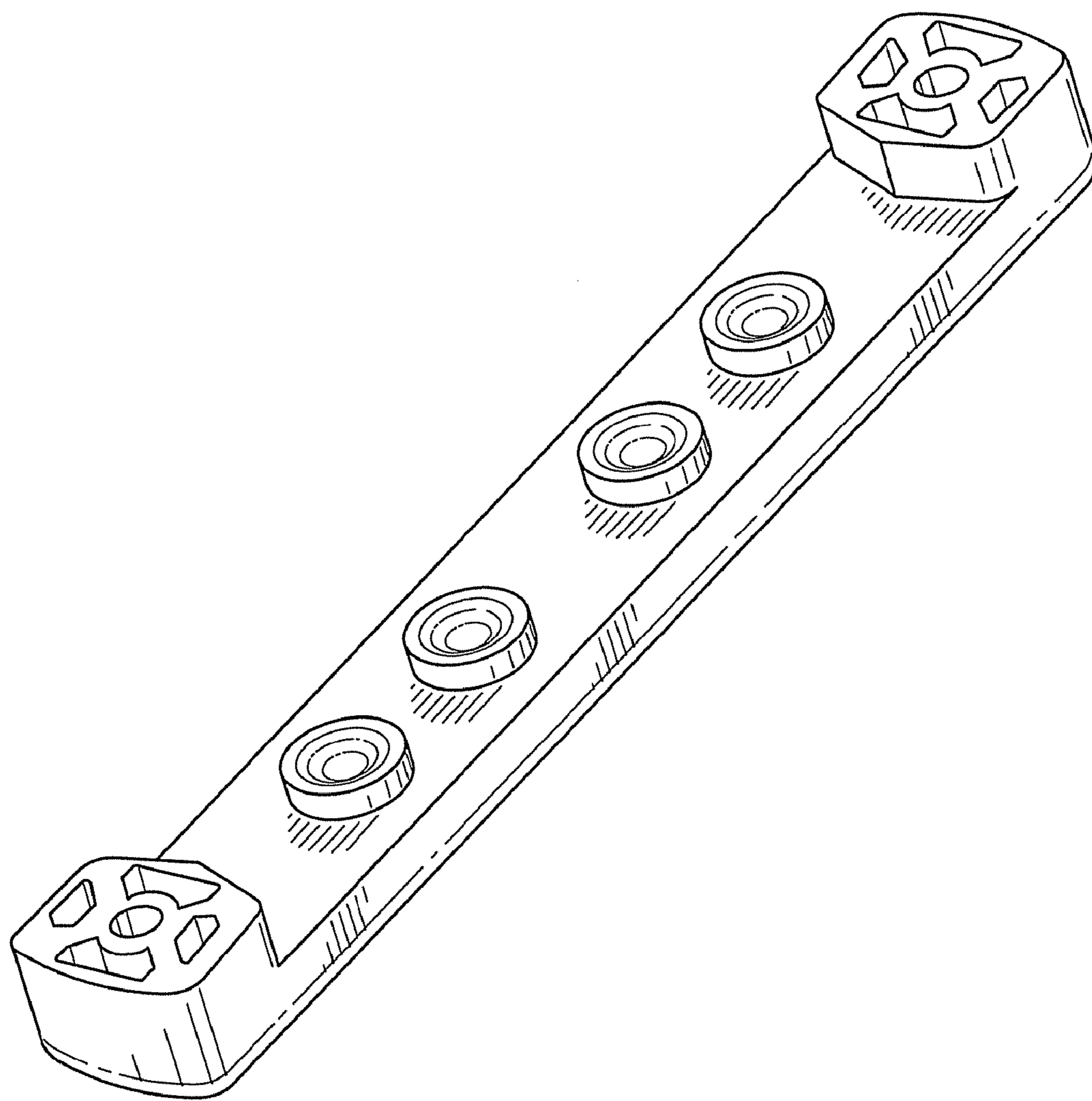


Fig. 5