

US00D566525S

(12) **United States Design Patent**
DeCosta

(10) **Patent No.:** **US D566,525 S**
(45) **Date of Patent:** **** Apr. 15, 2008**

(54) **SINGLE GANG CABLE PASS THROUGH PLATE**

(76) Inventor: **Tom DeCosta**, 1622 Padanaram Ave.,
New Bedford, MA (US) 02740-1004

(**) Term: **14 Years**

(21) Appl. No.: **29/259,914**

(22) Filed: **May 17, 2006**

(51) **LOC (8) Cl.** **11-05**

(52) **U.S. Cl.** **D8/353**

(58) **Field of Classification Search** D8/350-353;
D10/108, 123, 105; D13/169, 171, 156,
D13/174, 158, 162, 177, 184; 200/304, 330;
40/729, 732; 174/66, 67, 50, 58, 135; 220/241,
220/242, 3.8, 3.92, 3.94; 250/462.1, 466.1;
248/906

See application file for complete search history.

(56) **References Cited**

U.S. PATENT DOCUMENTS

801,536 A *	10/1905	Marshall	220/241
1,402,769 A *	1/1922	Hirshfeld	220/3.94
2,467,981 A *	4/1949	Lavoie	439/655
3,597,526 A *	8/1971	Boatwright et al.	174/56
3,729,572 A *	4/1973	Helin	174/66
3,749,815 A *	7/1973	Boatwright et al.	174/66
3,859,454 A *	1/1975	Mann	174/66
3,864,512 A *	2/1975	Meadow	174/66
4,027,097 A *	5/1977	Gillemot	174/66
D270,230 S *	8/1983	Meyer	D8/350
D270,231 S *	8/1983	Meyer	D8/350
D270,995 S *	10/1983	Meyer	D8/350
4,451,106 A *	5/1984	Wiseheart et al.	439/536
4,691,974 A *	9/1987	Pinkerton et al.	439/147

4,810,833 A *	3/1989	Meyers	174/67
5,067,907 A *	11/1991	Shotey	439/135
5,696,350 A *	12/1997	Anker	174/66
5,700,978 A *	12/1997	Huff	174/66
5,981,875 A *	11/1999	Kesler et al.	174/66
6,005,189 A *	12/1999	Anker	174/66
D443,811 S	6/2001	Tisbo	
6,596,938 B2 *	7/2003	Gilleran	174/58
6,774,308 B1 *	8/2004	Troyen	174/63
6,881,902 B2 *	4/2005	Aoki et al.	174/72 A
7,112,744 B1 *	9/2006	DeCosta	174/66

* cited by examiner

Primary Examiner—Stella Reid
Assistant Examiner—Mark Goodwin

(57) **CLAIM**

The ornamental design for a single gang cable pass through plate, as shown and described.

DESCRIPTION

FIG. 1 is a front perspective view of the single gang cable pass through plate showing my new design;

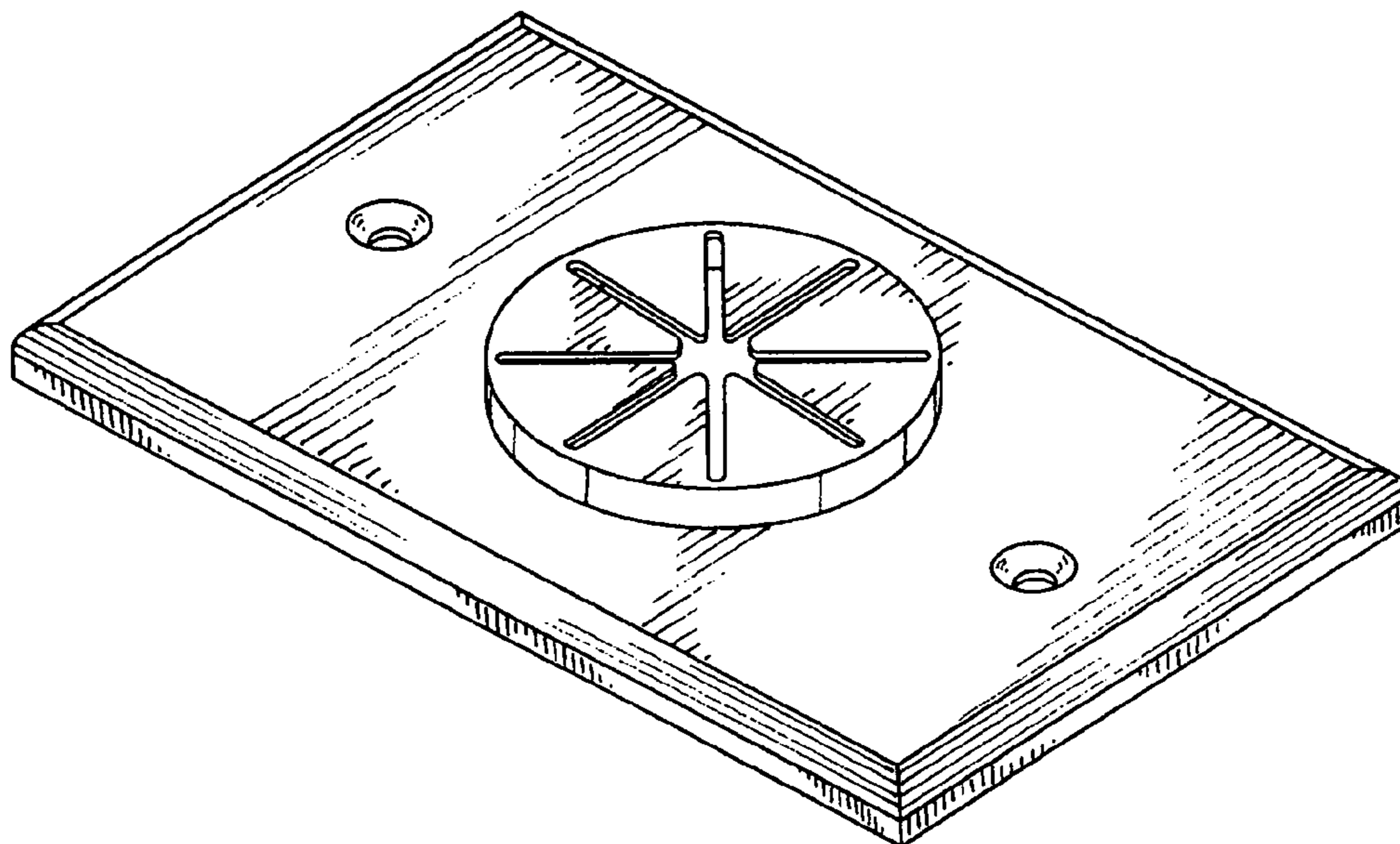
FIG. 2 is a top plan view of the cable pass through plate of FIG. 1;

FIG. 3 is a bottom plan view of the cable pass through plate of FIG. 1;

FIG. 4 is a left side view of the cable pass through plate of FIG. 1 with the right side view being a mirror image of FIG. 4; and,

FIG. 5 is a left end view of the cable pass through plate of FIG. 1 with the right end view being a mirror image of FIG. 5.

1 Claim, 3 Drawing Sheets



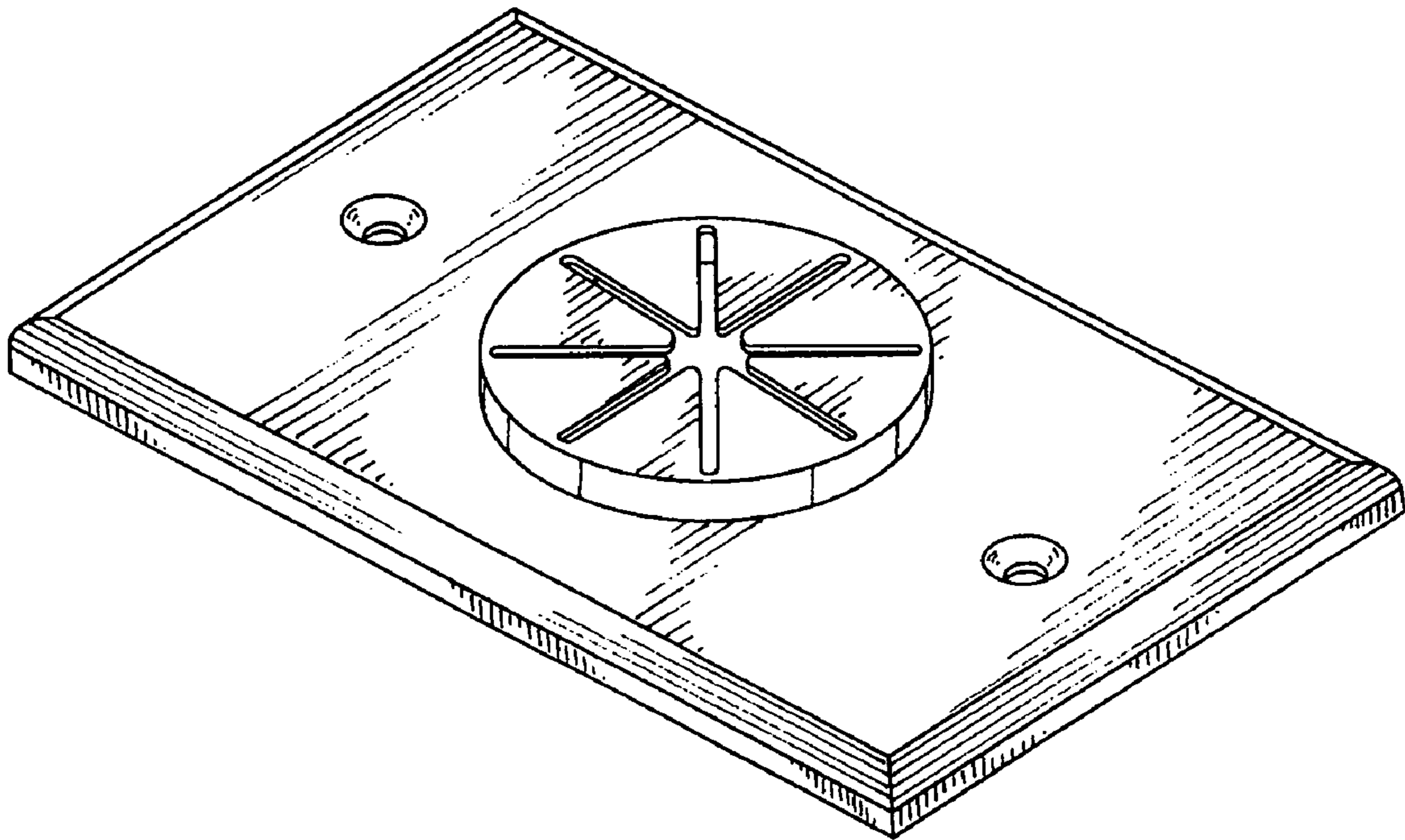


FIG. 1

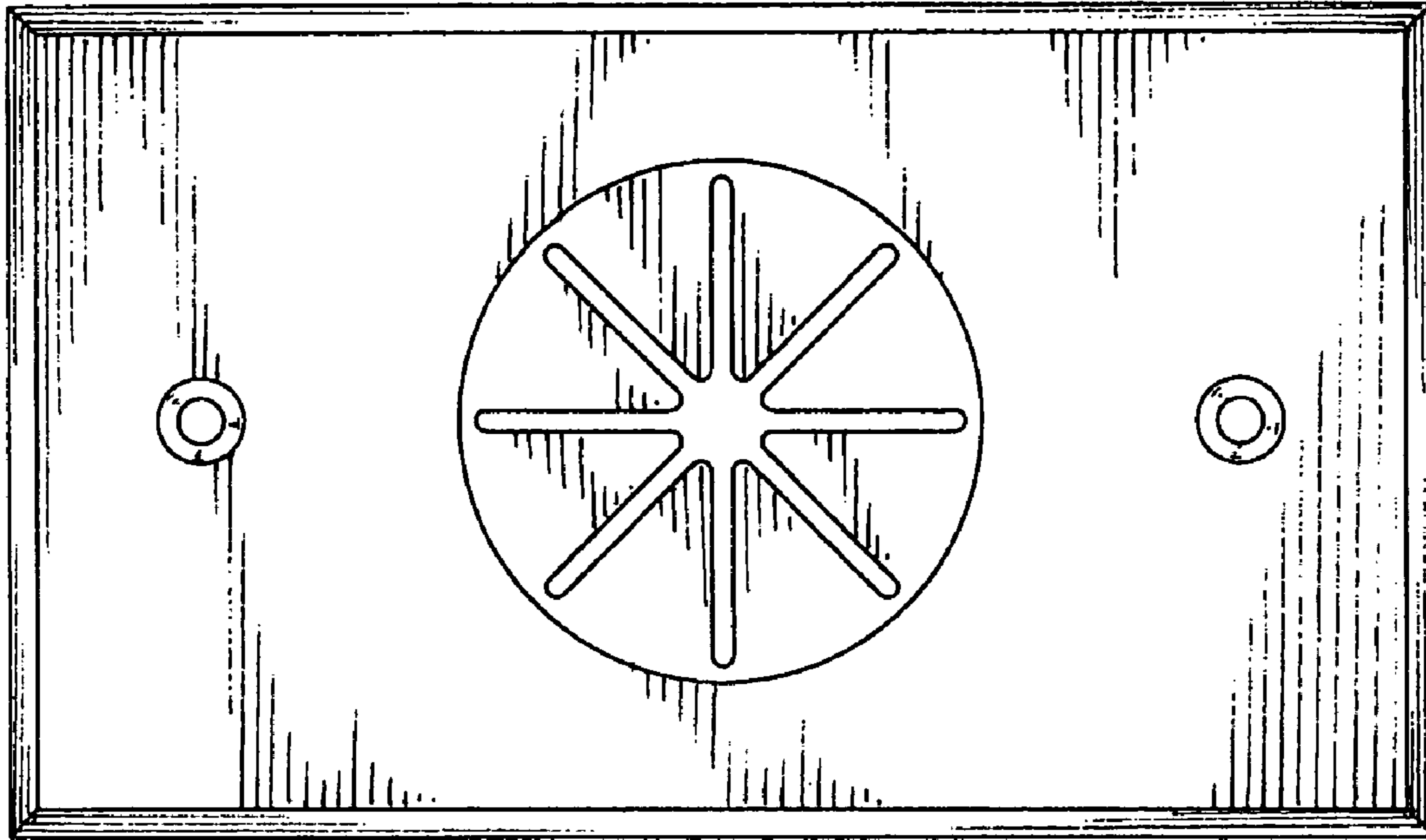


FIG. 2

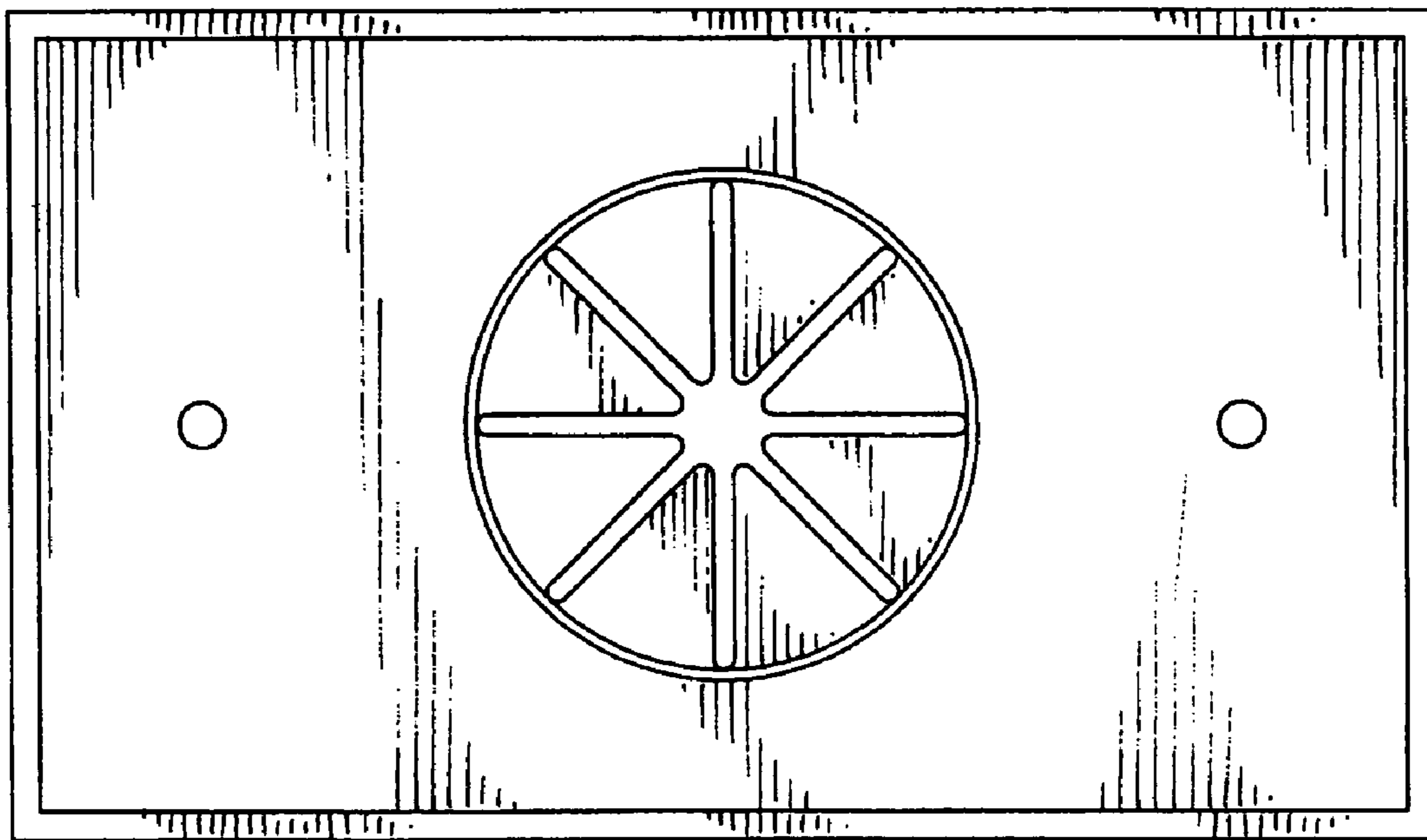


FIG. 3

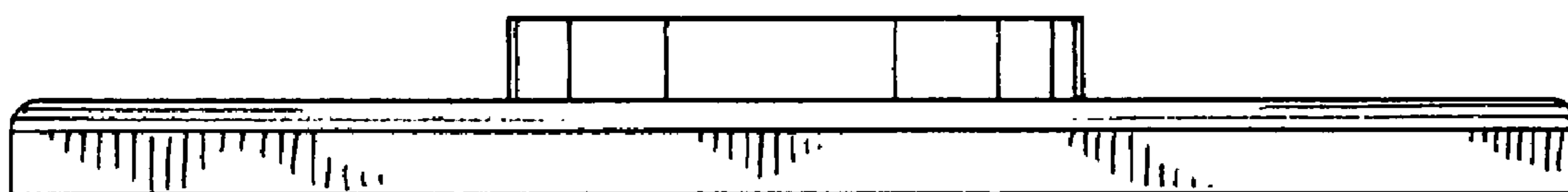


FIG. 4

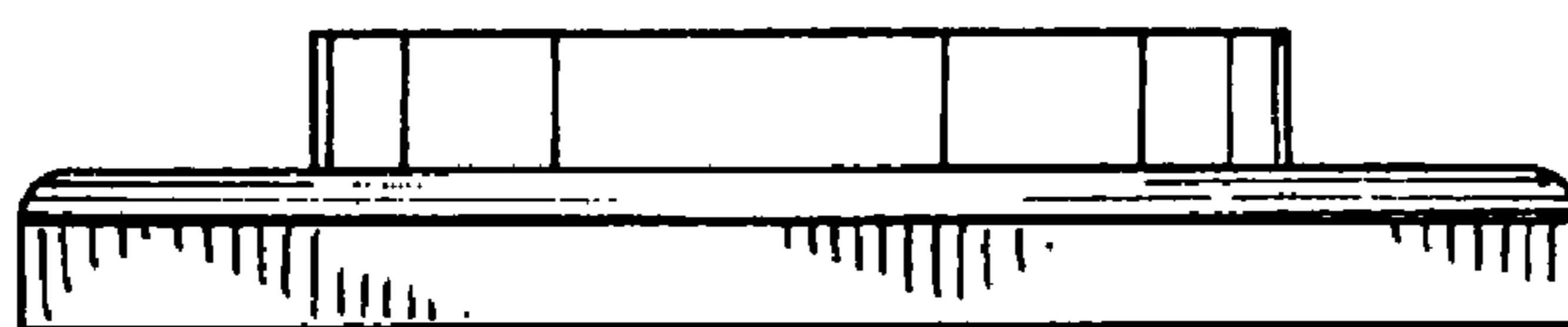


FIG. 5