

US00D566524S

(12) **United States Design Patent**
Daas

(10) **Patent No.:** **US D566,524 S**
(45) **Date of Patent:** **** Apr. 15, 2008**

(54) **HEART KEY TOGGLE**

(75) Inventor: **Robin Daas**, Scarsdale, NY (US)

(73) Assignee: **Heart of Gold US, LLC**, Tenafly, NJ (US)

(**) Term: **14 Years**

(21) Appl. No.: **29/289,180**

(22) Filed: **Jan. 4, 2007**

(51) **LOC (8) Cl.** **08-07**

(52) **U.S. Cl.** **D8/347**

(58) **Field of Classification Search** D8/330-348;
70/393-408, 16

See application file for complete search history.

(56) **References Cited**

U.S. PATENT DOCUMENTS

D39,647 S	*	10/1908	Johnson	D8/347
D139,791 S	*	12/1944	Lasky	D8/348
D155,297 S	*	9/1949	Kushner	D8/347
D161,883 S	*	2/1951	Tashman	D8/348
D269,863 S		7/1983	Meyer		
4,400,956 A		8/1983	Martin		
D283,409 S		4/1986	Hergert		
D289,020 S		3/1987	Bond		
D292,502 S		10/1987	Croker et al.		
D349,865 S		8/1994	Benhamou		
D369,988 S		5/1996	Jacoby		
D371,314 S		7/1996	Yurman		
D374,194 S		10/1996	Brocchi		
D444,409 S		7/2001	Shriqui et al.		
D457,096 S		5/2002	Rosner		

D474,994 S	5/2003	Comolli	
D483,285 S	12/2003	Reardon	
D496,299 S	9/2004	Ljahnicky et al.	
D499,041 S	11/2004	Yurman	
D508,417 S	8/2005	Yurman	
D516,942 S	3/2006	Lawlor et al.	
D523,370 S	6/2006	Yurman	
D529,370 S	* 10/2006	Parsons D8/347
D532,287 S	11/2006	Daugherty	

* cited by examiner

Primary Examiner—Mitchell Siegel

(74) *Attorney, Agent, or Firm*—Orrick Herrington & Sutcliffe, LLP

(57) **CLAIM**

The ornamental design for a heart key toggle, as shown and described.

DESCRIPTION

FIG. 1 is a front elevated perspective view of a heart key toggle in accordance with a preferred embodiment of the present invention;

FIG. 2 is a front view of the heart key toggle of FIG. 1;

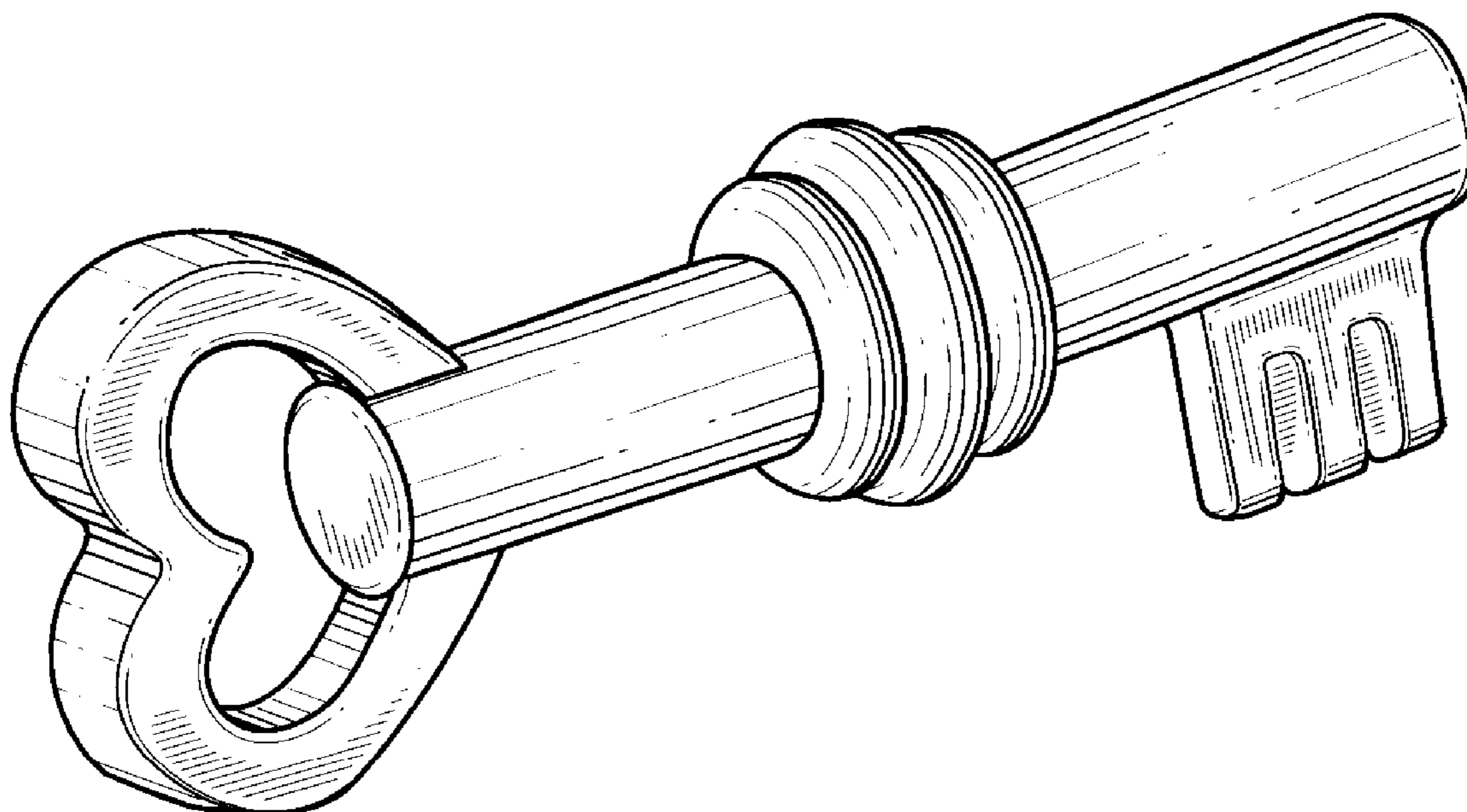
FIG. 3 is a side view, taken from the right, of the heart key toggle of FIG. 1;

FIG. 4 is a side view, taken from the left, of the heart key toggle of FIG. 1;

FIG. 5 is a top view of the heart key toggle of FIG. 1; and,

FIG. 6 is a bottom view of the heart key toggle of FIG. 1.

1 Claim, 2 Drawing Sheets



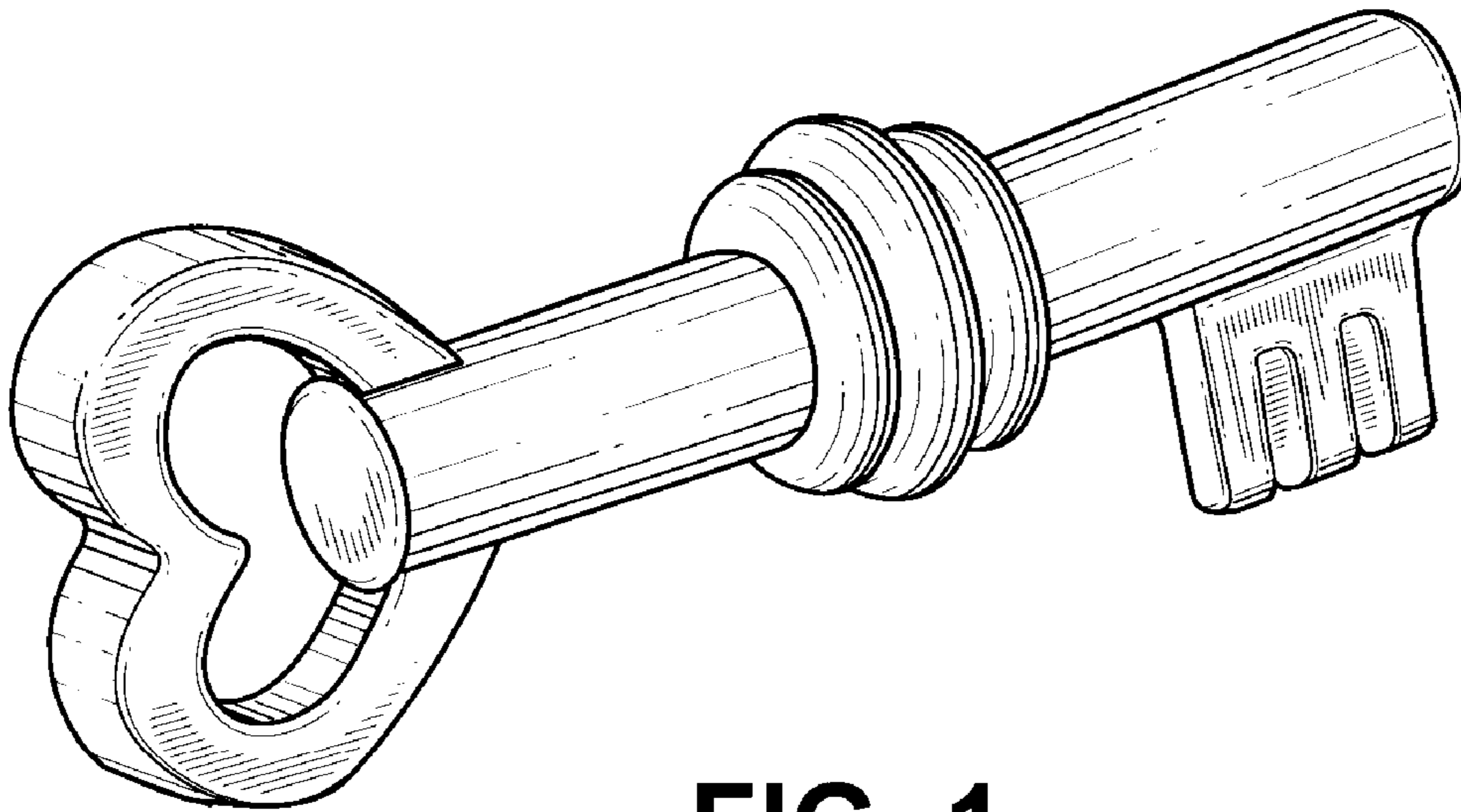


FIG. 1

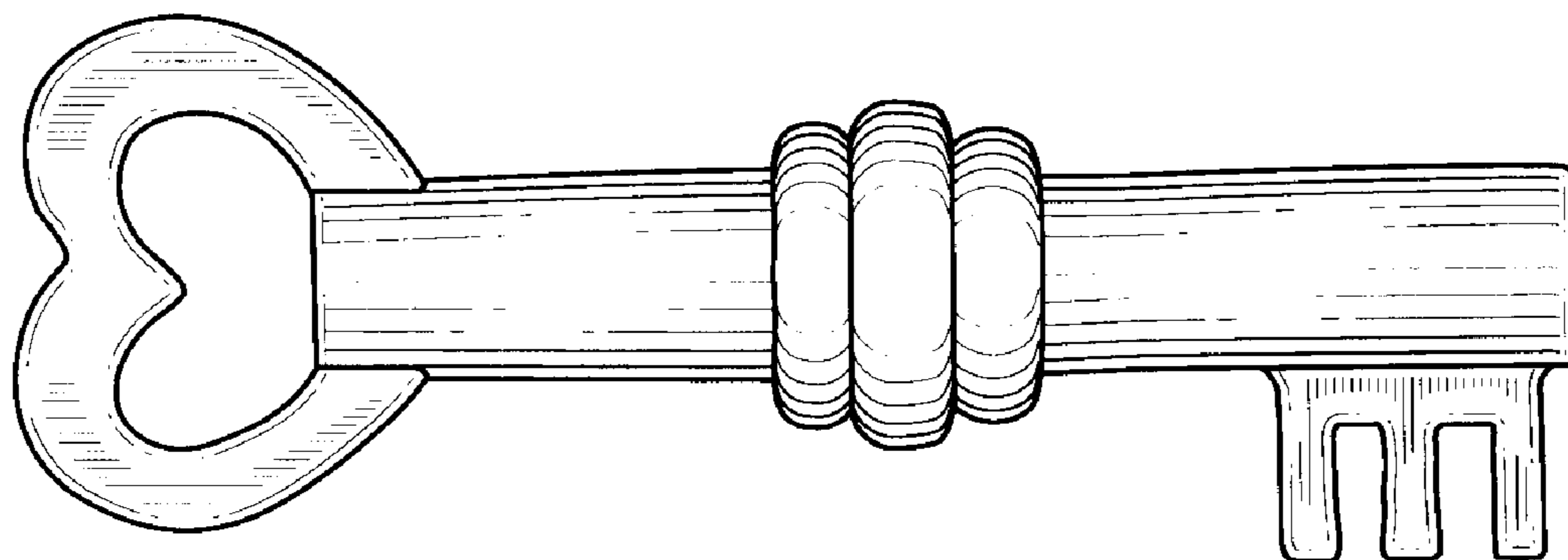


FIG. 2

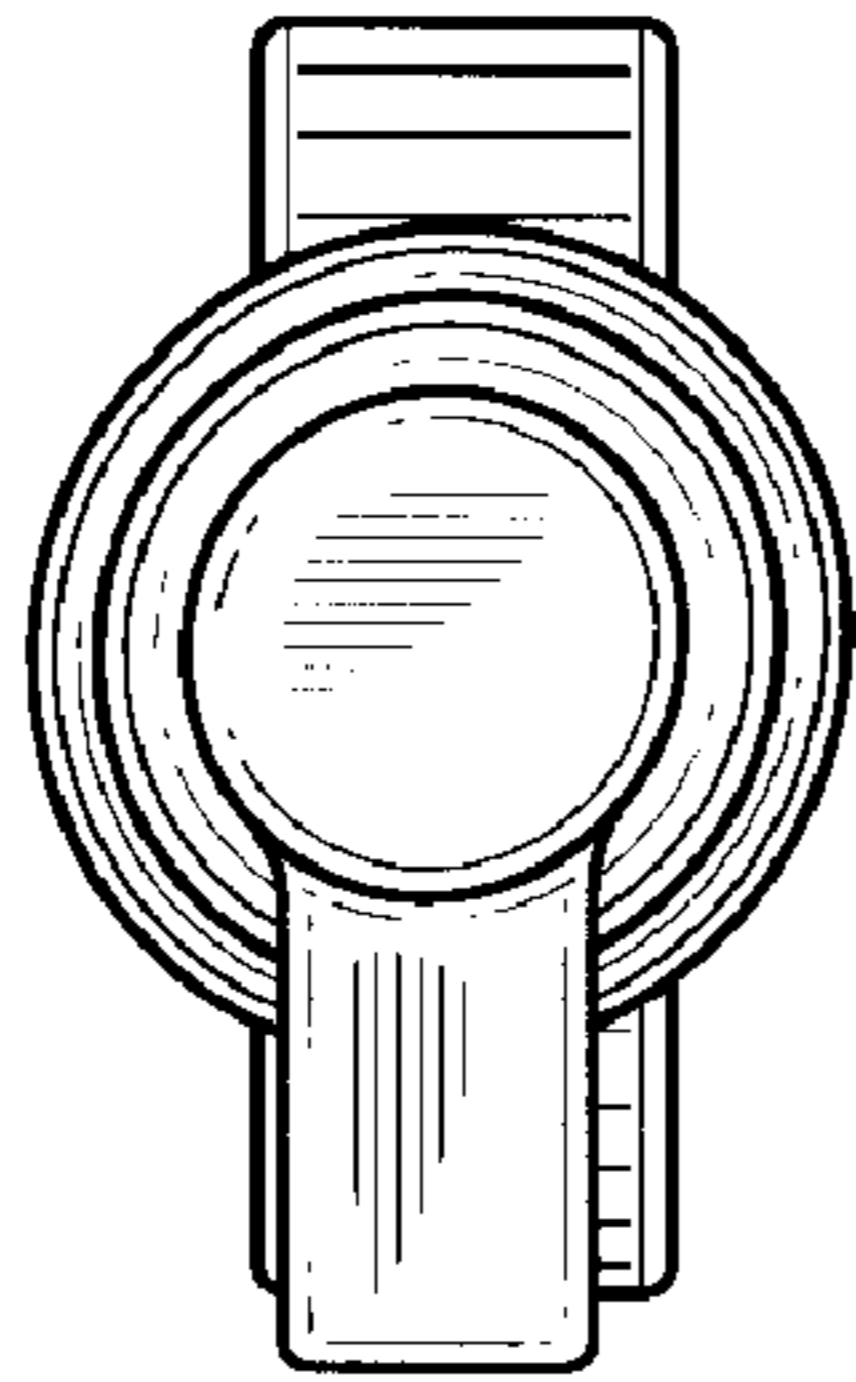


FIG. 3

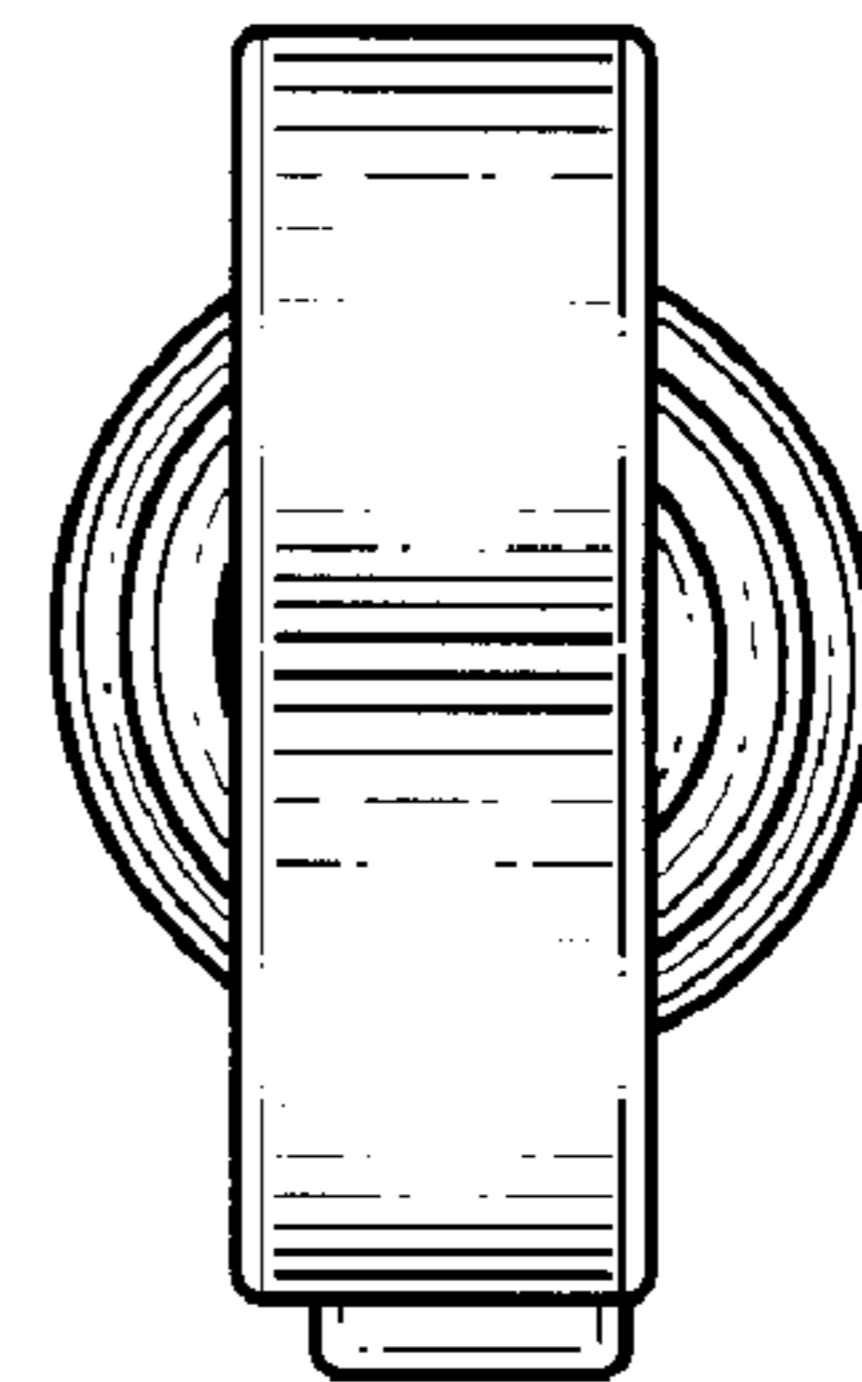


FIG. 4

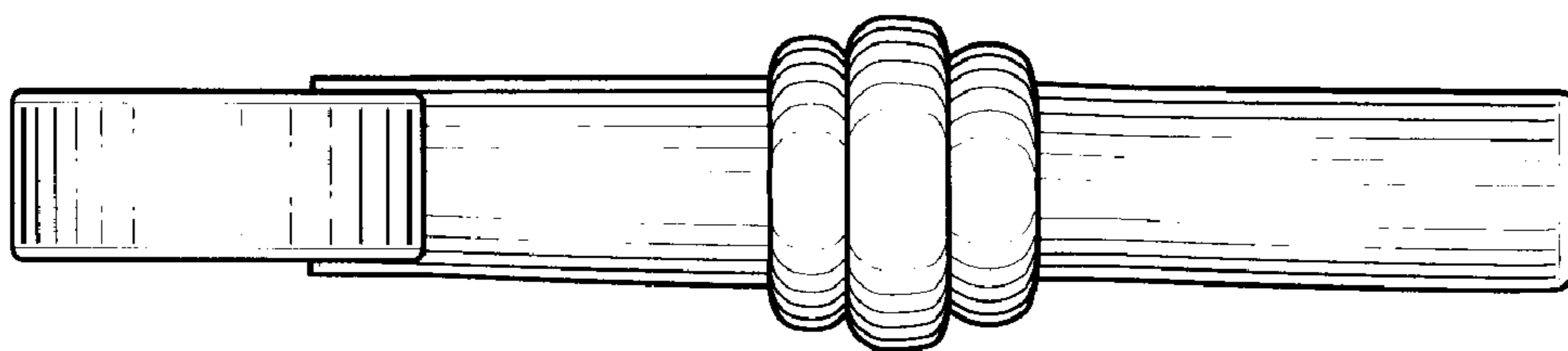


FIG. 5

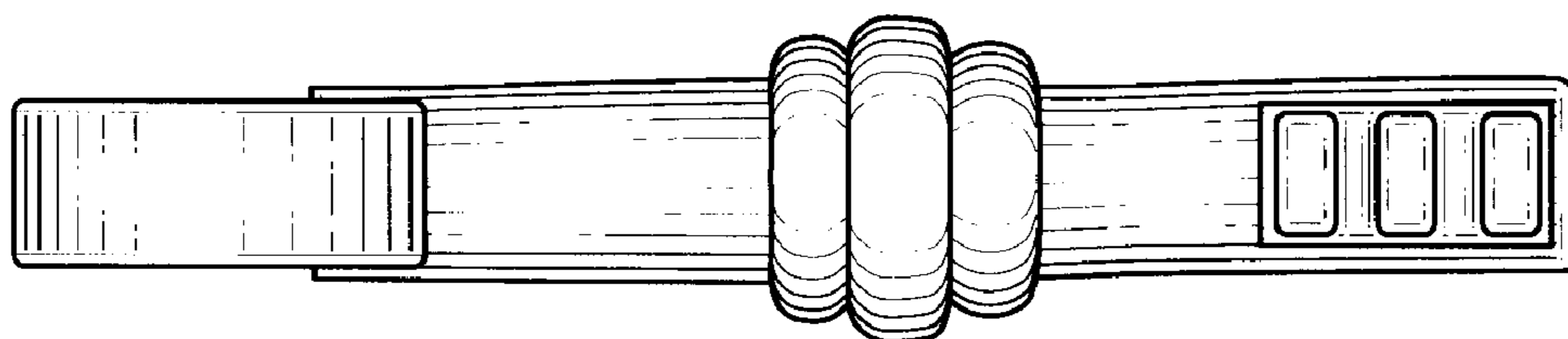


FIG. 6