



US00D566516S

(12) **United States Design Patent**
Tor Verges

(10) **Patent No.:** **US D566,516 S**

(45) **Date of Patent:** **** Apr. 15, 2008**

(54) **HANDLE**

(76) **Inventor:** **Eduardo Tor Verges**, 7 Juan XXIII Street, Esplugues De Llobregat (Barcelona) (ES) 08950

(**) **Term:** **14 Years**

(21) **Appl. No.:** **29/273,844**

(22) **Filed:** **Mar. 15, 2007**

(30) **Foreign Application Priority Data**

Oct. 26, 2006 (EM) 000611447-0002

(51) **LOC (8) Cl.** **08-06**

(52) **U.S. Cl.** **D8/307; D8/310**

(58) **Field of Classification Search** D8/300, D8/305, 307, 310, 313, 314-320, 350-352, D8/301; D23/250-254; D11/39, 222; 16/110.1, 16/412, 414-420, 441, 443-446, 434; 292/347
See application file for complete search history.

(56) **References Cited**

U.S. PATENT DOCUMENTS

329,321 A * 10/1885 Leger et al. 292/347
784,131 A * 3/1905 Assel 16/441

D101,658 S * 10/1936 Weber D8/305
D129,713 S * 9/1941 Shuwarger D11/222
D199,537 S * 11/1964 Sklar D11/39
D263,554 S * 3/1982 Wasbrough et al. D8/301
D401,834 S * 12/1998 Burns et al. D8/310
D415,947 S * 11/1999 May D8/305
D418,387 S * 1/2000 O'Neil D8/310
D432,896 S * 10/2000 Lee D8/317

* cited by examiner

Primary Examiner—Paula A. Greene

(74) *Attorney, Agent, or Firm*—Dowell & Dowell, P.C.

(57) **CLAIM**

The ornamental design for a handle, as shown and described.

DESCRIPTION

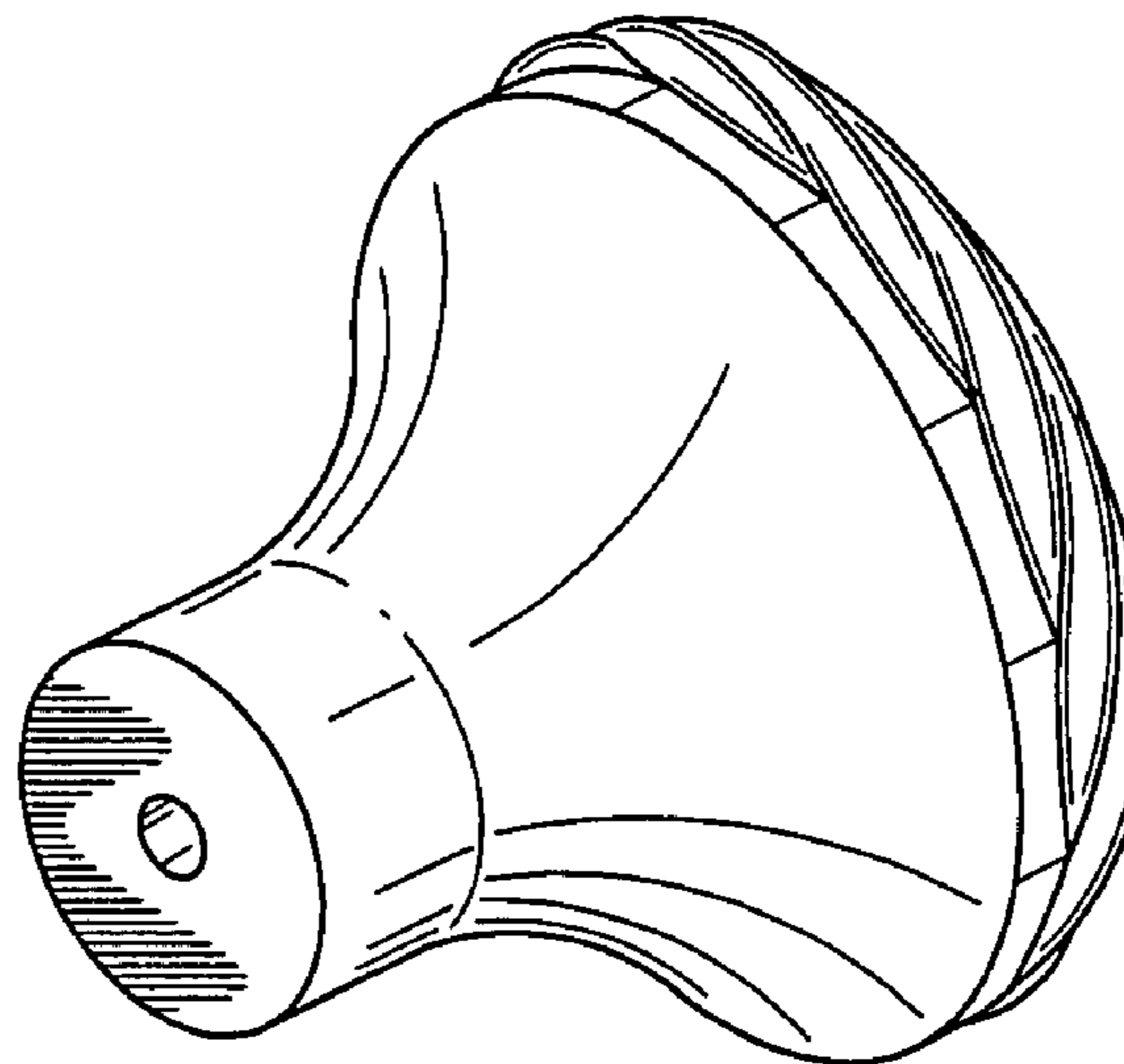
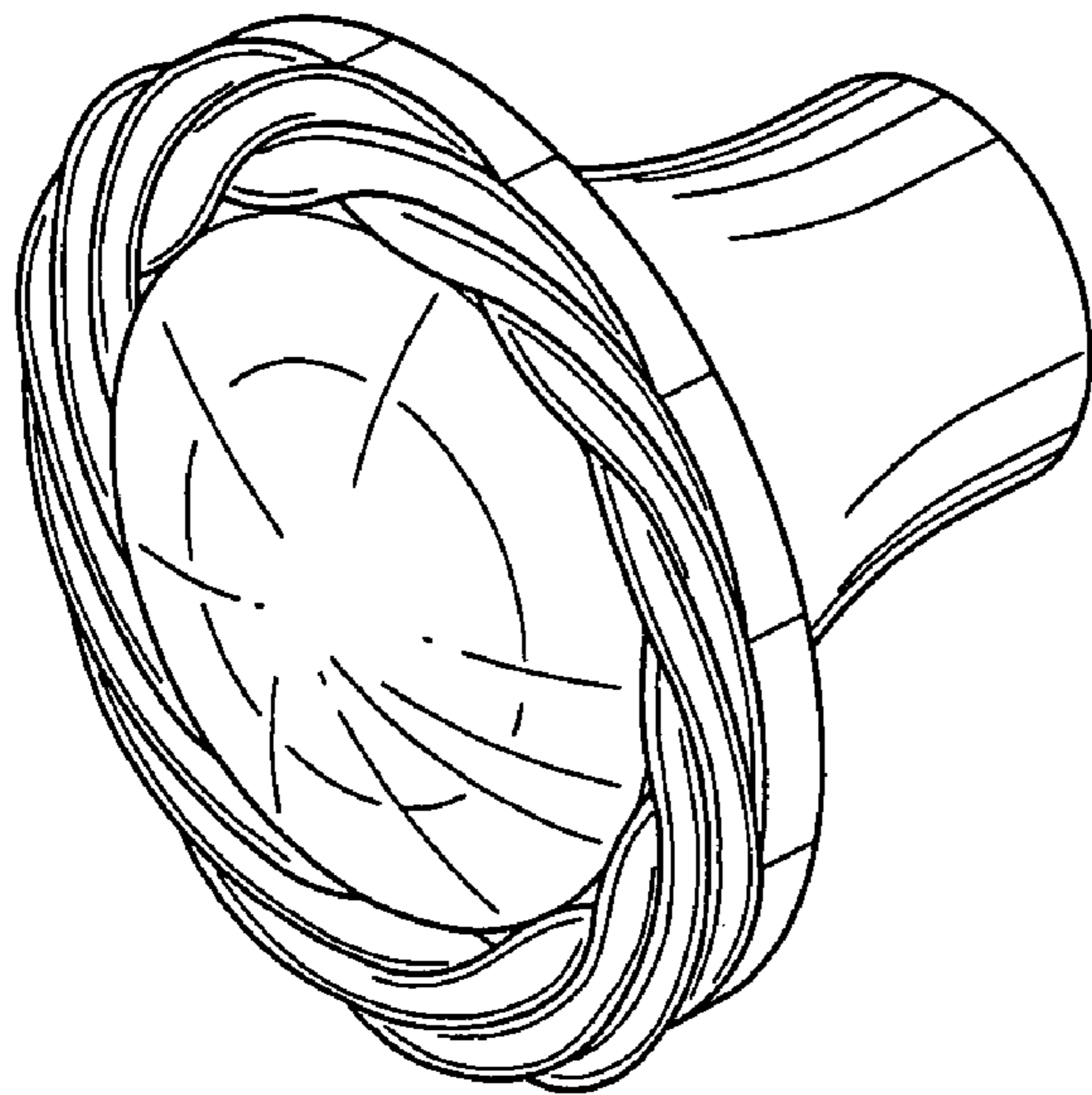
FIG. 1 is a front perspective view of a handle showing my new design;

FIG. 2 is a front elevational view thereof;

FIG. 3 is top plan view thereof, a view from the bottom and sides being mirror images thereof; and,

FIG. 4 is a rear perspective view thereof.

1 Claim, 2 Drawing Sheets



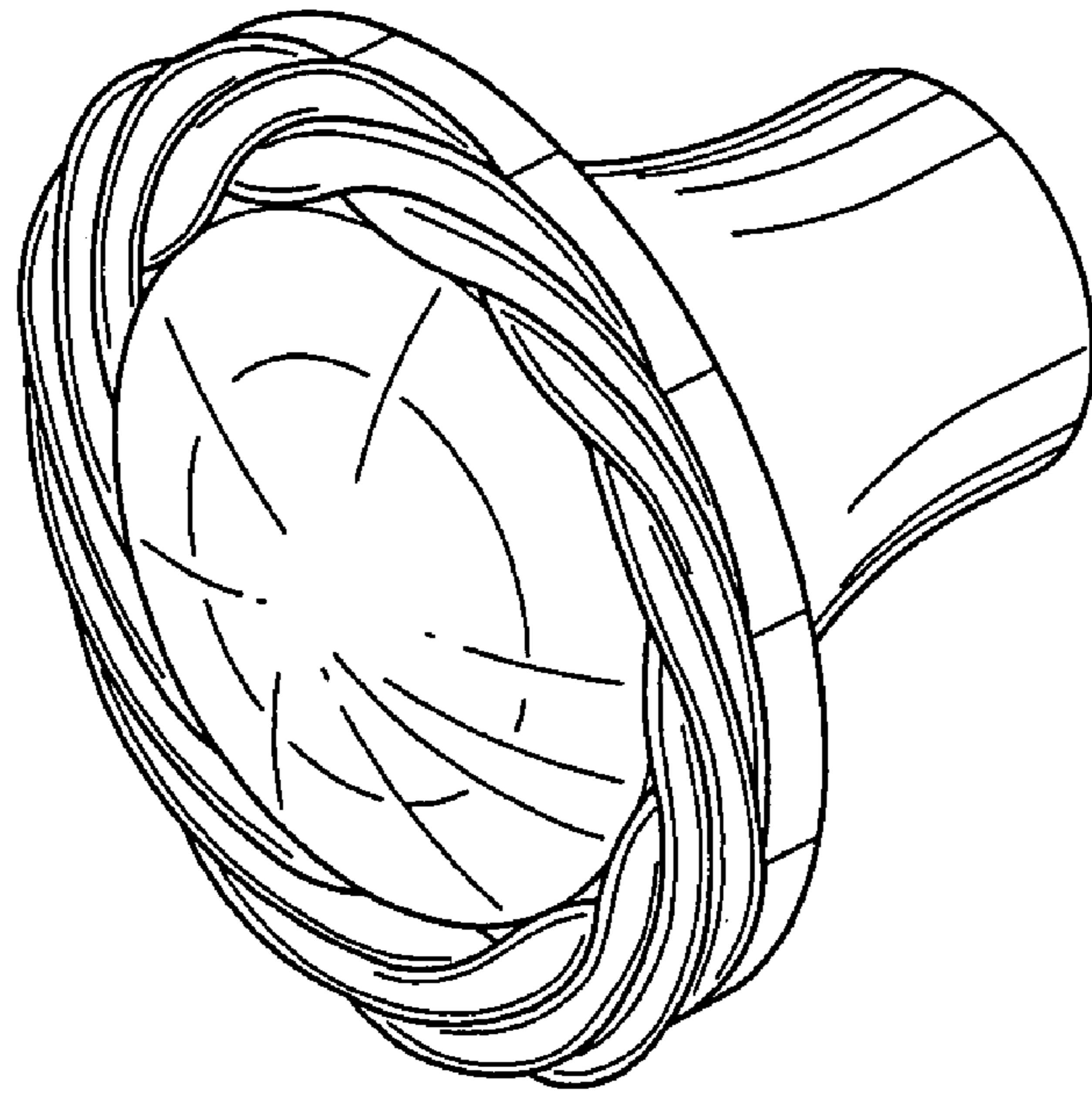


FIG. 1

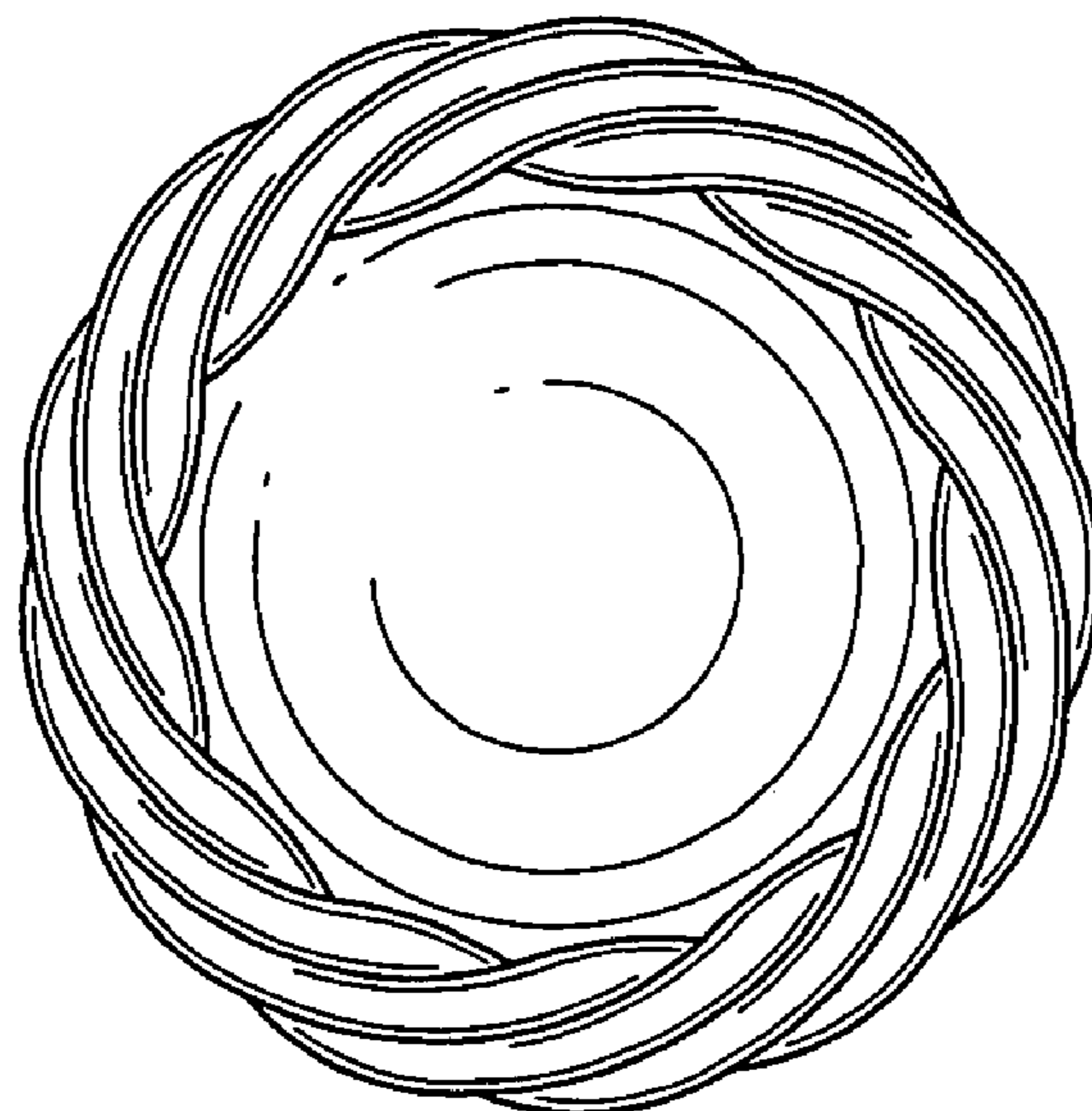


FIG. 2

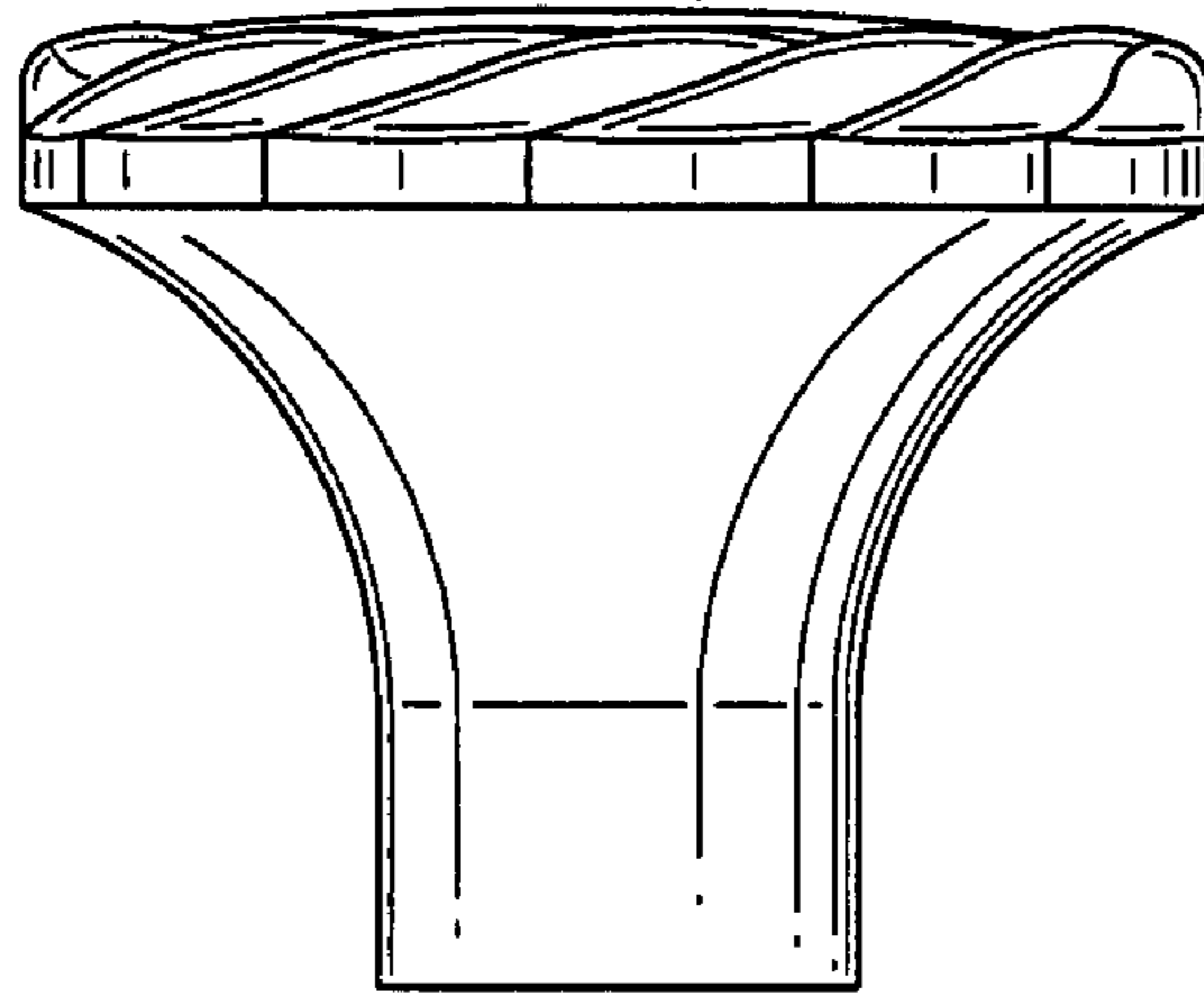


FIG. 3

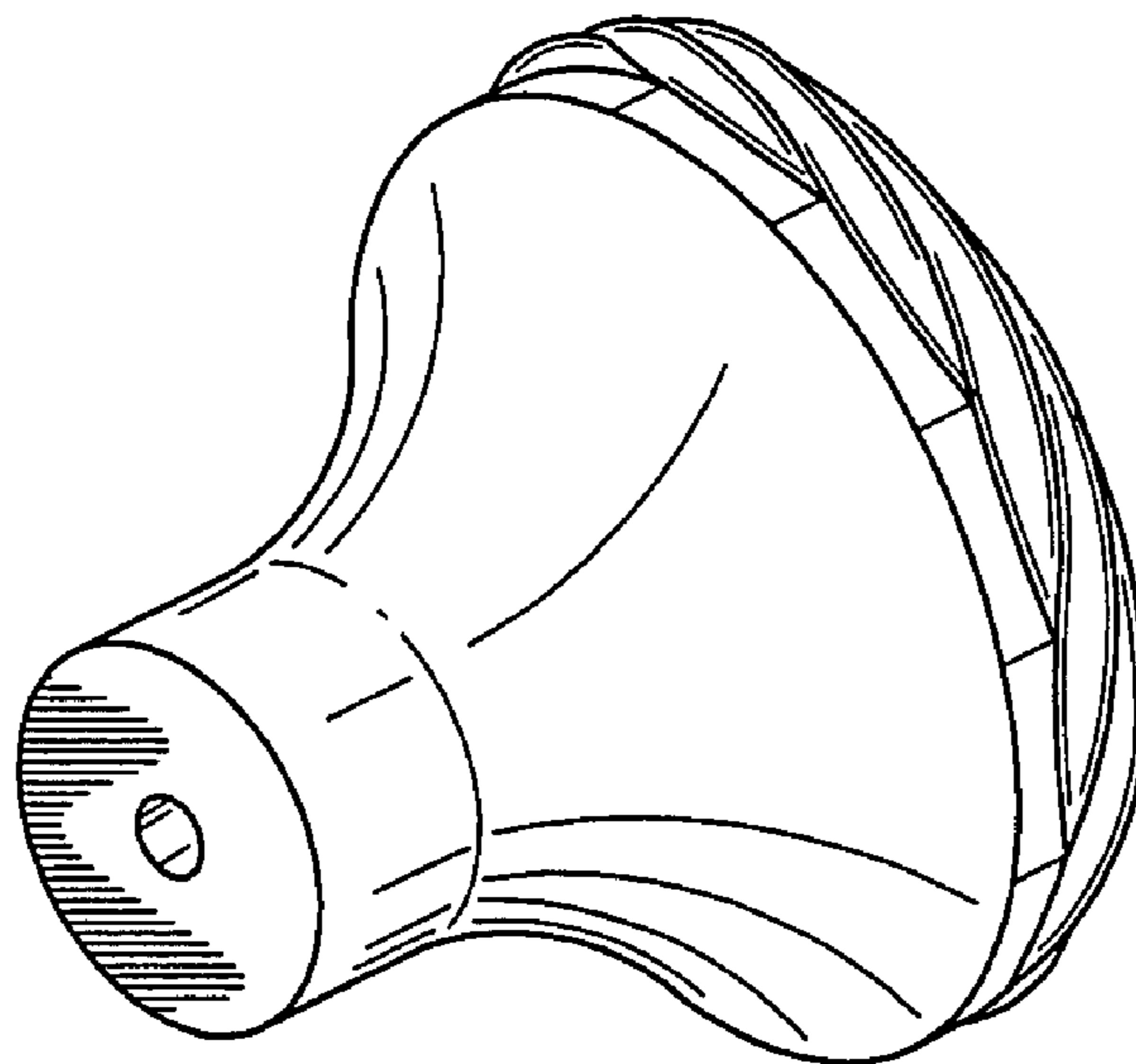


FIG. 4