

US00D566513S

(12) **United States Design Patent**
Marfione

(10) **Patent No.:** **US D566,513 S**
(45) **Date of Patent:** **** Apr. 15, 2008**

(54) **KNIFE**

(75) Inventor: **Anthony L. Marfione**, Bradford, PA
(US)

(73) Assignee: **Microtech Knives, Inc.**, Bradford, PA
(US)

(**) Term: **14 Years**

(21) Appl. No.: **29/276,130**

(22) Filed: **Jan. 17, 2007**

(51) **LOC (8) Cl.** **08-03**

(52) **U.S. Cl.** **D8/98; D8/20**

(58) **Field of Classification Search** D8/16,
D8/14, 20, 98, 99, 105, 17; 7/118; 30/151,
30/152, 142, 143; D22/118
See application file for complete search history.

(56) **References Cited**

U.S. PATENT DOCUMENTS

D116,179 S *	8/1939	Kates, Jr.	D8/17
D236,321 S *	8/1975	Cromoga	D8/20
D266,479 S *	10/1982	Hayakawa	D8/17
D275,360 S *	9/1984	Child	D7/649
D286,583 S *	11/1986	Filsinger et al.	D3/210
D302,514 S *	8/1989	Gates	D8/105
D352,426 S *	11/1994	Tucker	D7/696
D383,519 S *	9/1997	Lainhart	D22/118

D445,655 S *	7/2001	Maddox	D8/17
D464,551 S *	10/2002	Glesser	D8/98
6,851,215 B2 *	2/2005	Conrad	43/17.2
D509,353 S *	9/2005	Billings	D3/211

OTHER PUBLICATIONS

One Stop Knife Shop, Results from search for Credit Card Knife.*

* cited by examiner

Primary Examiner—Philip S Hyder

(74) *Attorney, Agent, or Firm*—Fay Sharpe LLP

(57) **CLAIM**

The ornamental design for a knife, as shown and described.

DESCRIPTION

FIG. 1 is a perspective view of the knife in accordance with my design;

FIG. 2 is a plan view of the front thereof;

FIG. 3 is a plan view of the rear thereof;

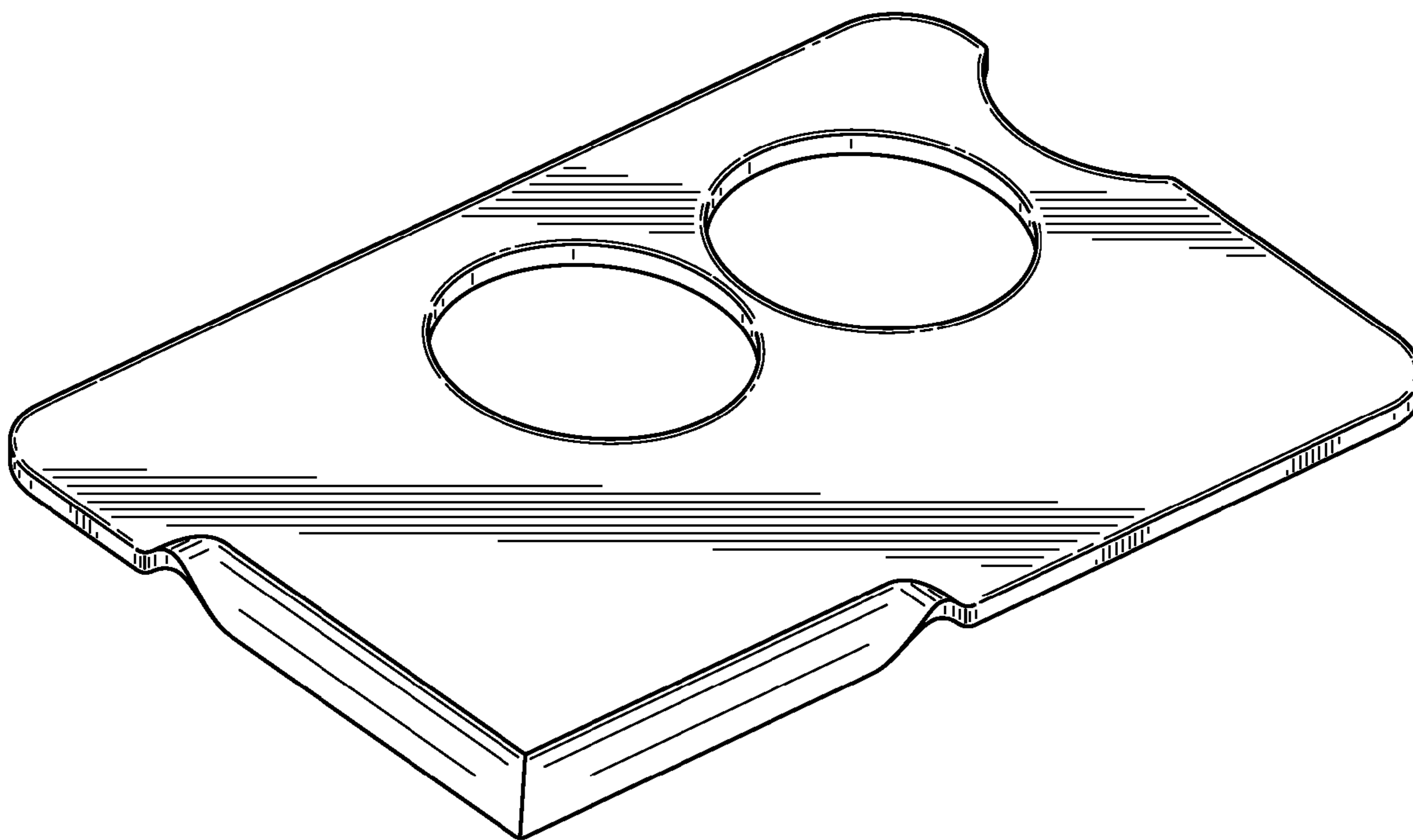
FIG. 4 is a view of the right side or edge of the knife, right being referenced to FIG. 2;

FIG. 5 is a view of the left side or edge thereof;

FIG. 6 is a view of the bottom side or edge of the knife, bottom being a reference to the knife as seen in FIG. 2; and,

FIG. 7 is a top plan view of the knife.

1 Claim, 3 Drawing Sheets



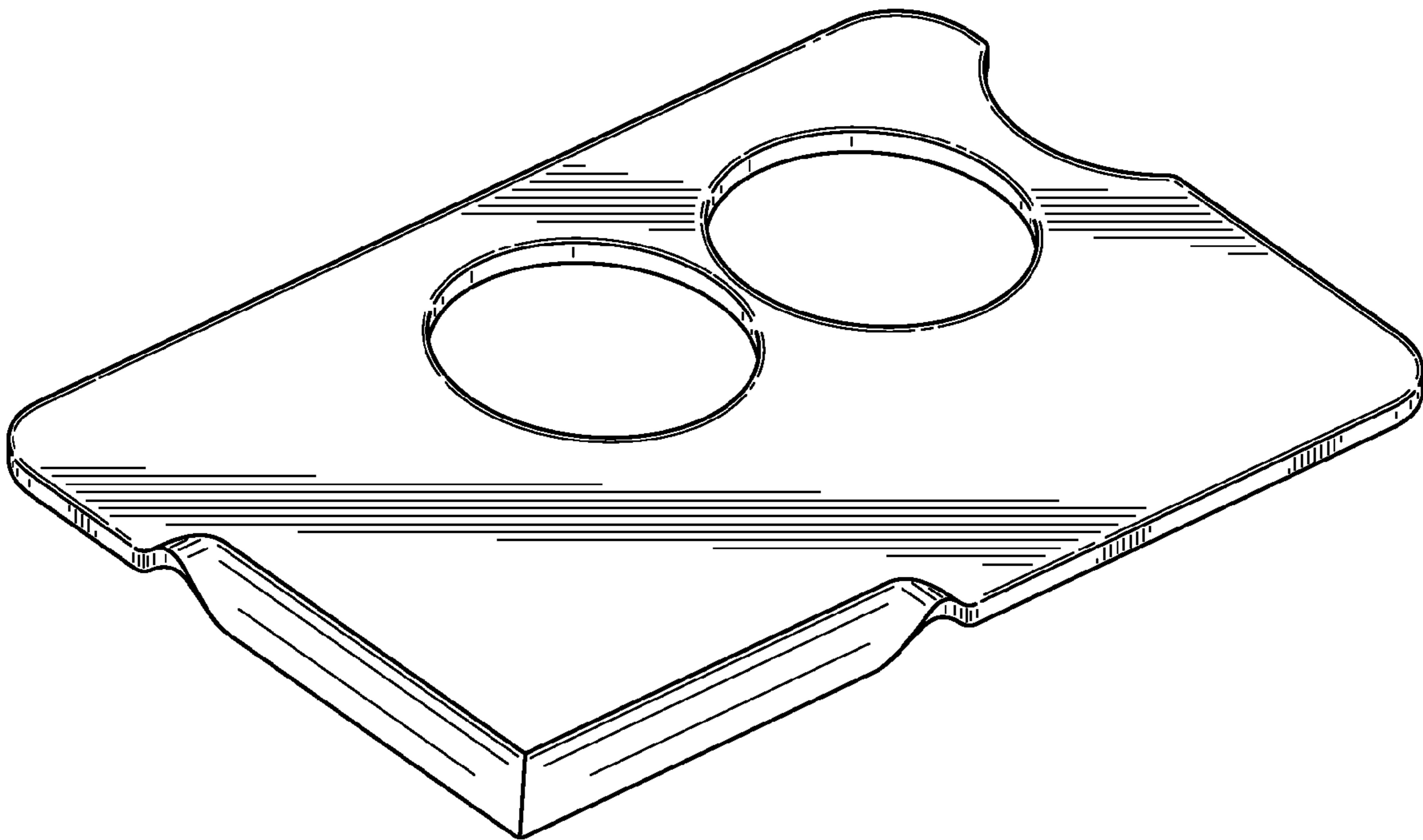


FIG. 1

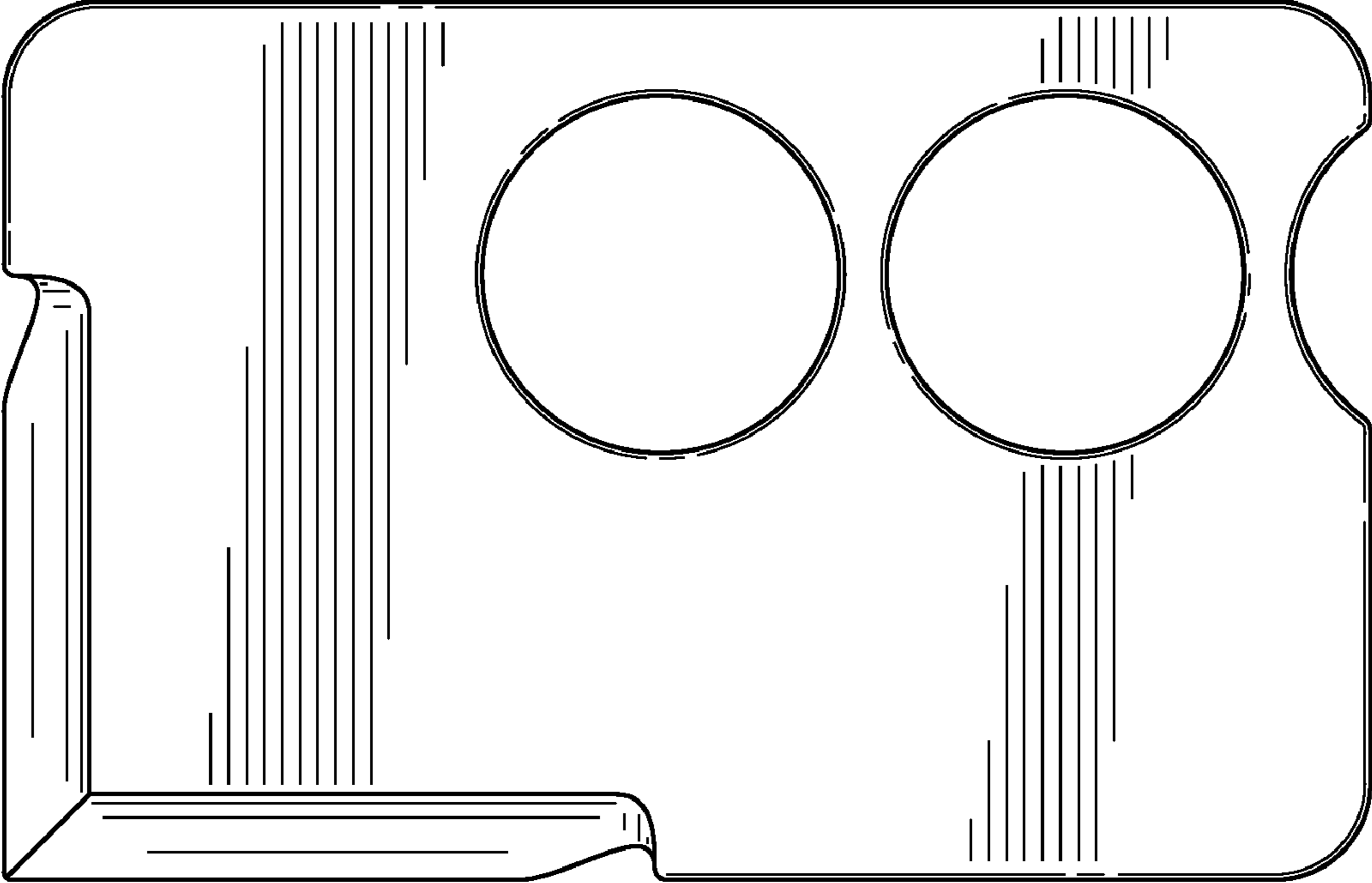


FIG. 2

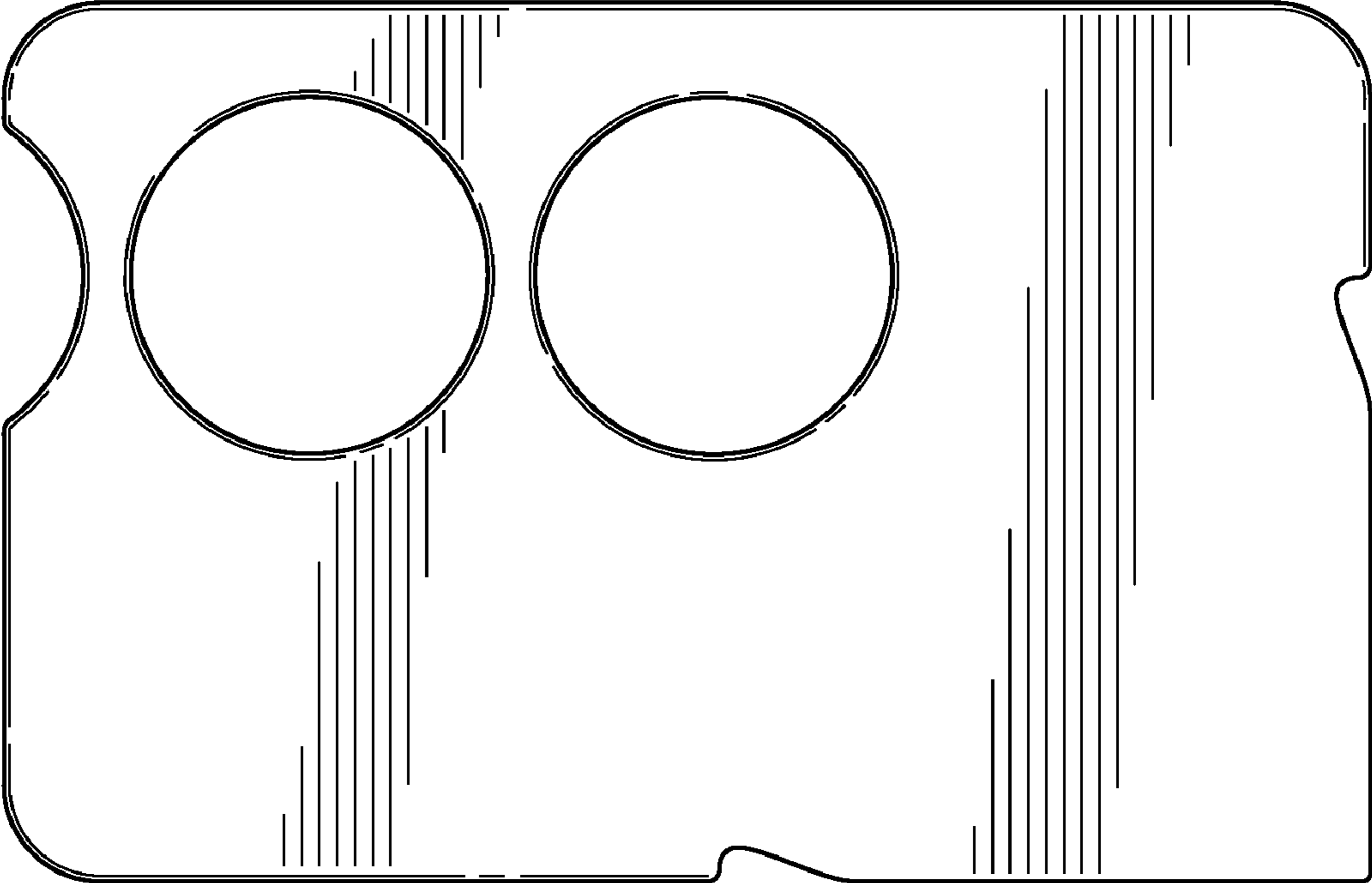


FIG. 3

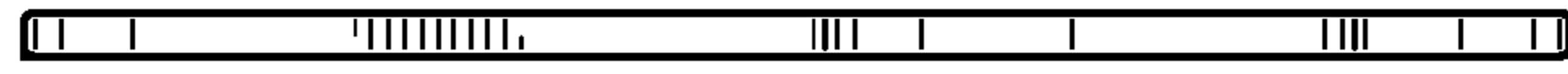


FIG. 4



FIG. 5

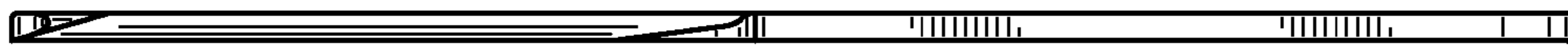


FIG. 6



FIG. 7