

US00D566512S

(12) **United States Design Patent**
Chie

(10) **Patent No.:** **US D566,512 S**

(45) **Date of Patent:** **** Apr. 15, 2008**

(54) **CUTTER**

(75) Inventor: **Tou Chie**, Kowloon (HK)

(73) Assignee: **Midas Enterprises (Far East) Limited**, Kowloon (HK)

(**) Term: **14 Years**

(21) Appl. No.: **29/273,365**

(22) Filed: **Mar. 2, 2007**

(51) **LOC (8) Cl.** **08-03**

(52) **U.S. Cl.** **D8/98**

(58) **Field of Classification Search** D8/98,
D8/14; 30/310, 319, 294, 290, 295, 286;
83/745

See application file for complete search history.

(56) **References Cited**

U.S. PATENT DOCUMENTS

3,456,346	A *	7/1969	Snyder	30/310
D245,392	S *	8/1977	Bascom et al.	D8/15
4,593,467	A *	6/1986	Safar	30/300
5,065,517	A *	11/1991	Markes	30/300
5,079,843	A *	1/1992	Shelton et al.	30/310
5,233,748	A *	8/1993	Logan et al.	30/310
5,501,015	A *	3/1996	Harvey	30/164.9

5,860,217	A *	1/1999	Braun	30/300
D422,188	S *	4/2000	Lira-Nunez	D8/98
6,216,577	B1 *	4/2001	Lira-Nunez et al.	83/745
6,575,068	B2 *	6/2003	Lira-Nunez et al.	83/565

* cited by examiner

Primary Examiner—Philip S. Hyder

(74) *Attorney, Agent, or Firm*—Law Office of Sergei Orel, LLC

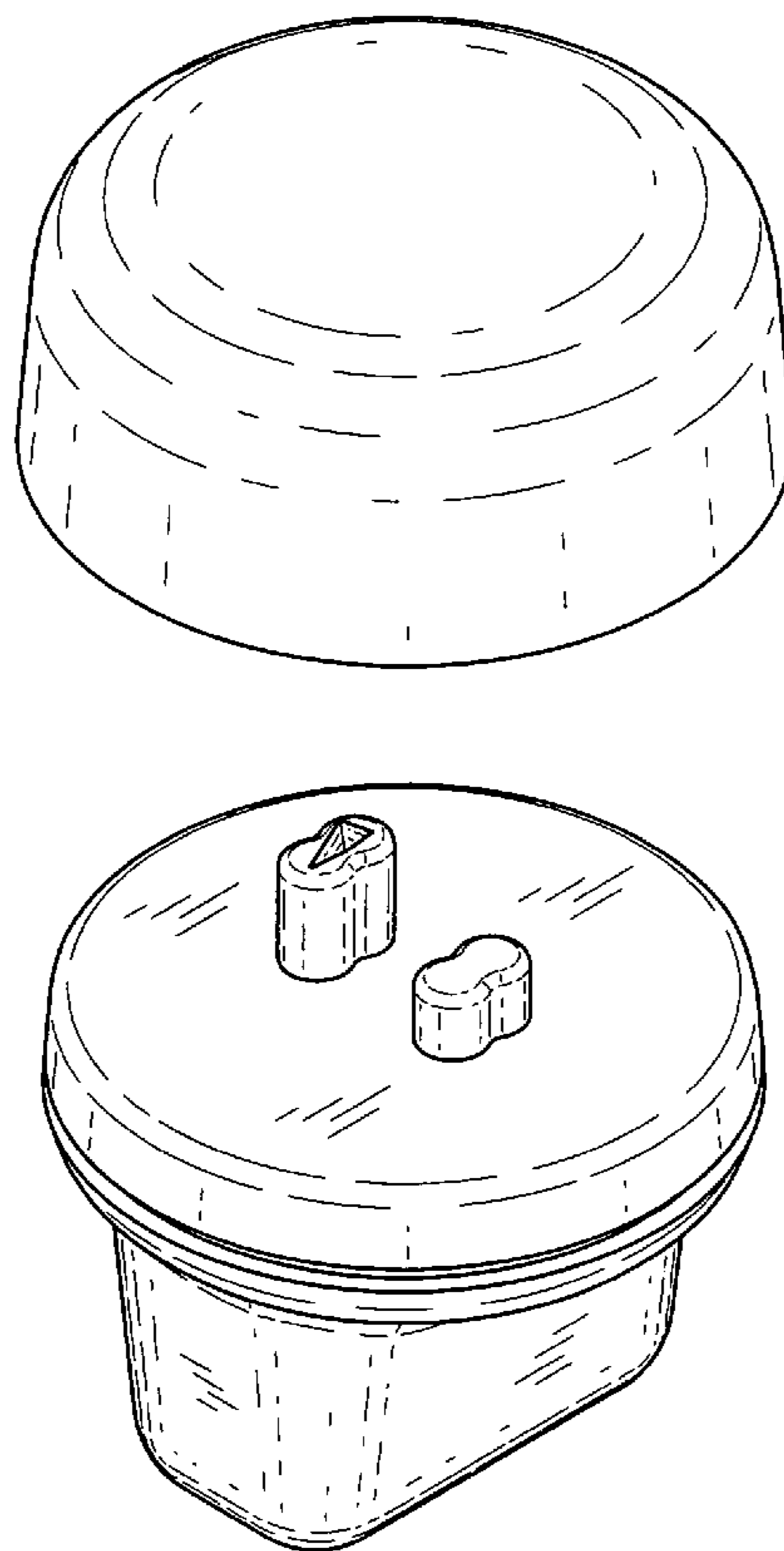
(57) **CLAIM**

The ornamental design for a cutter, as shown and described.

DESCRIPTION

FIG. 1 is a front view of the cutter showing my new design;
 FIG. 2 is a rear view thereof;
 FIG. 3 is a top view thereof;
 FIG. 4 is a bottom view thereof;
 FIG. 5 is an opposite side view thereof;
 FIG. 6 is a side view thereof;
 FIG. 7 is a perspective view thereof;
 FIG. 8 is a perspective view thereof with cover; and,
 FIG. 9 is a perspective view of the disassembled cutter.

1 Claim, 5 Drawing Sheets



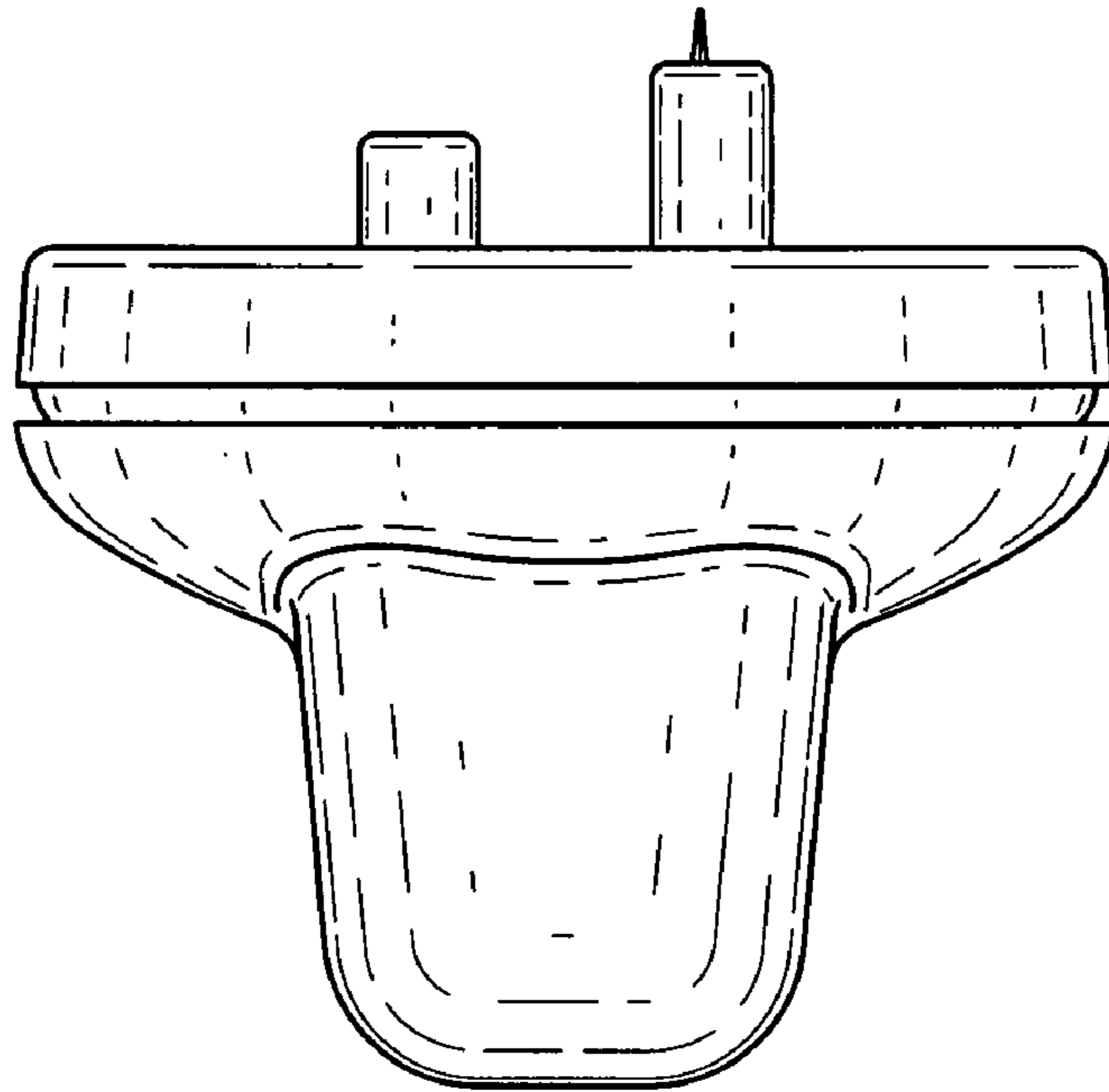


Fig.1

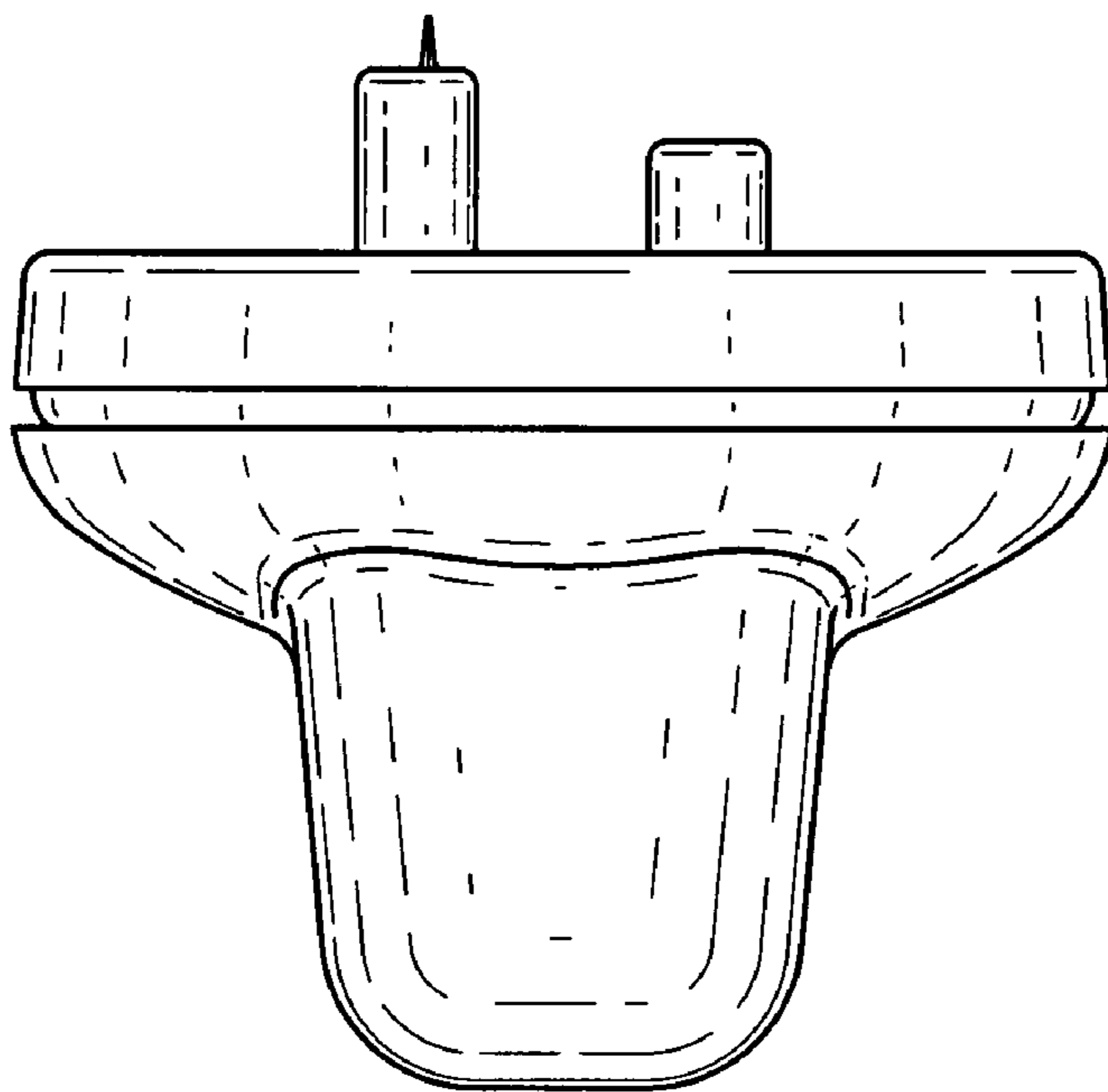


Fig.2

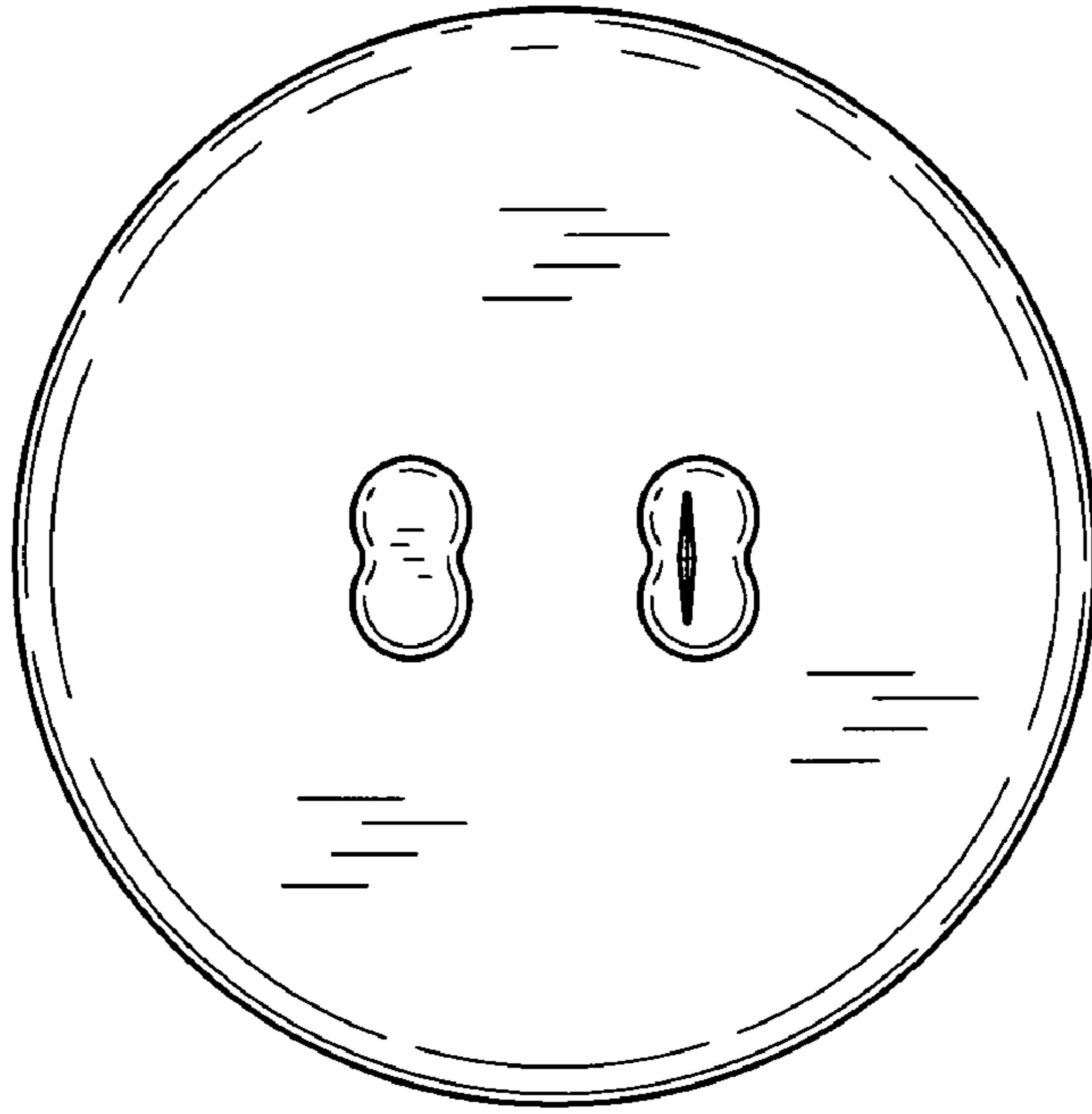


Fig.3

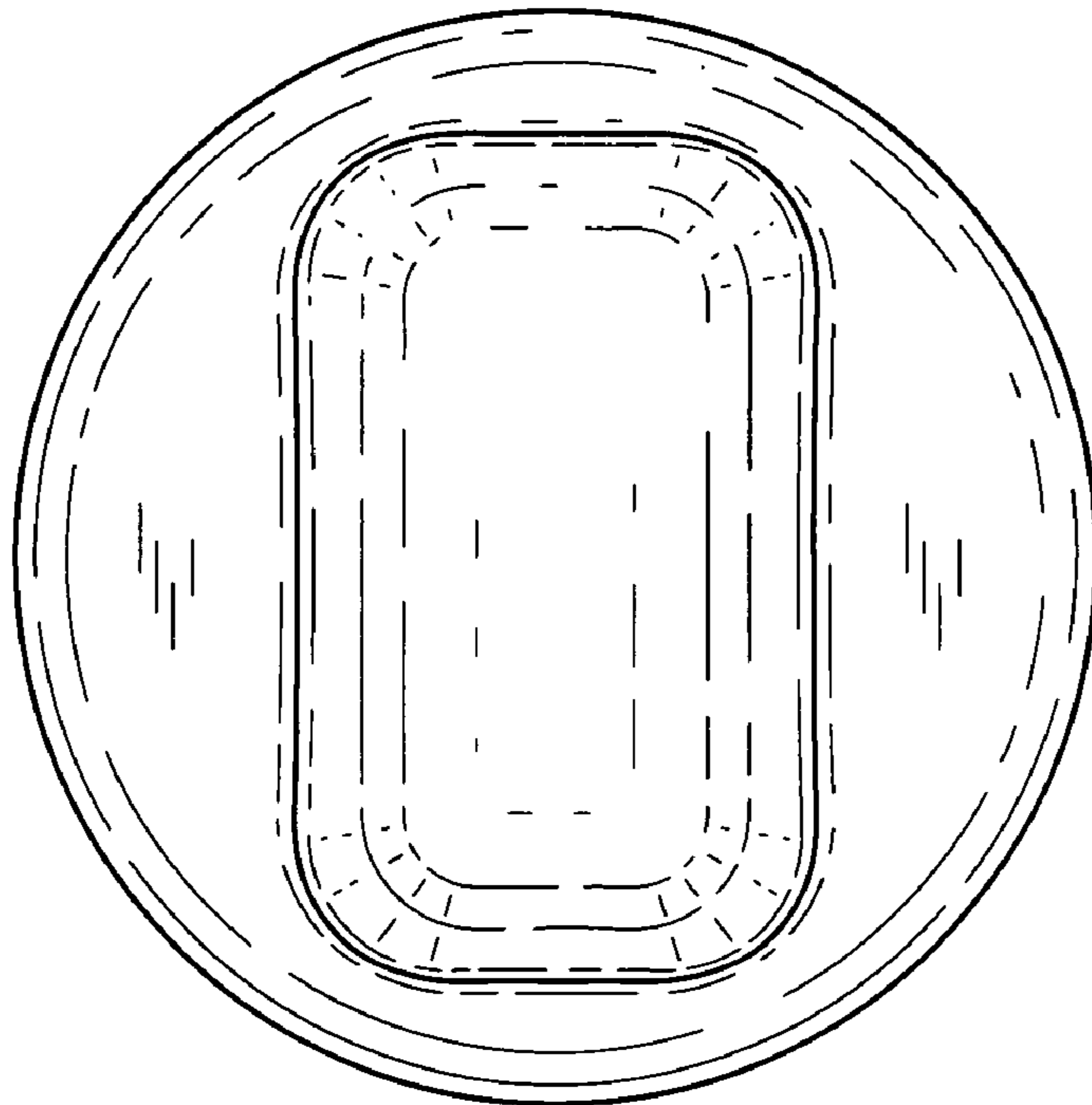


Fig.4

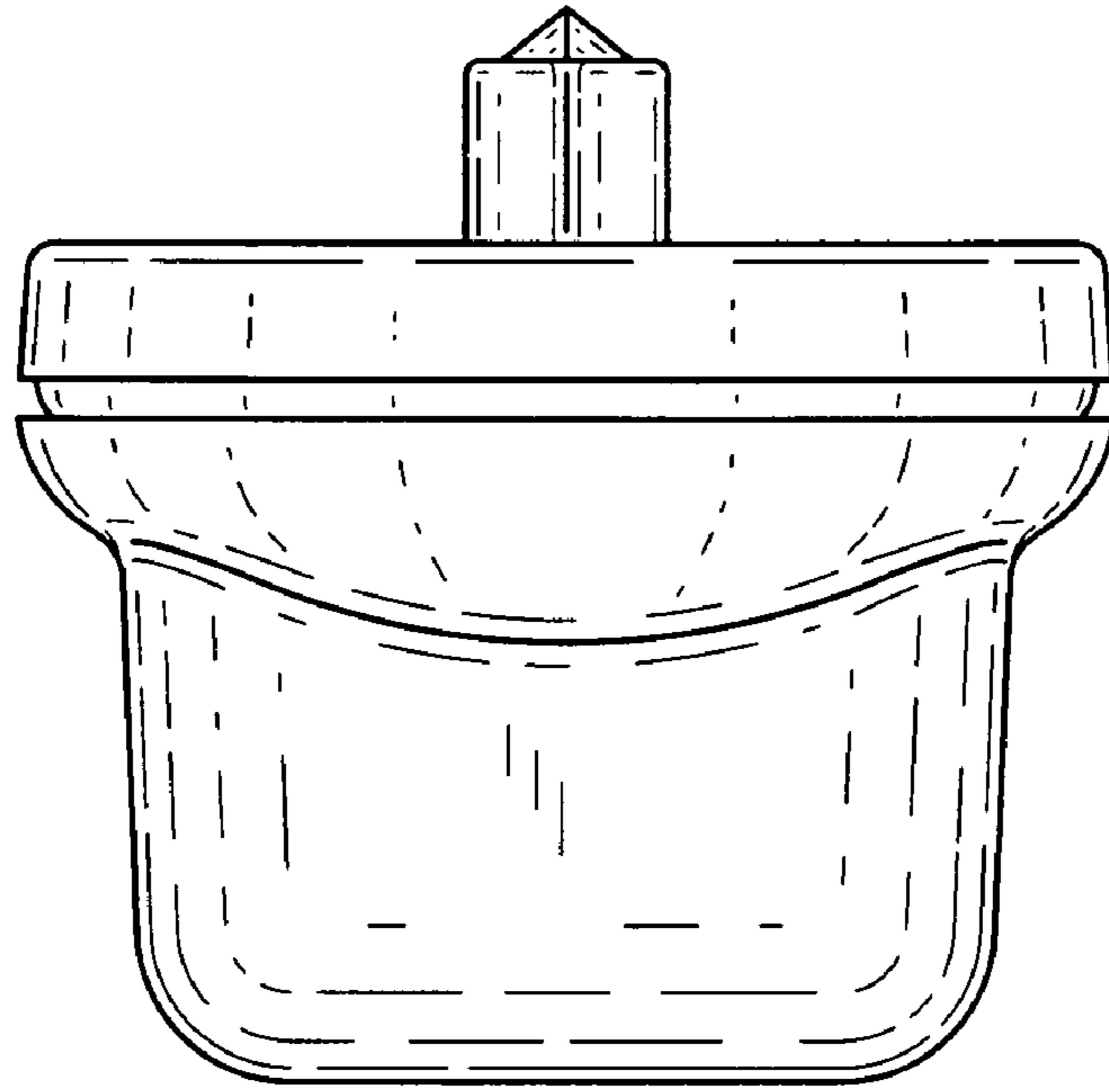


Fig.5

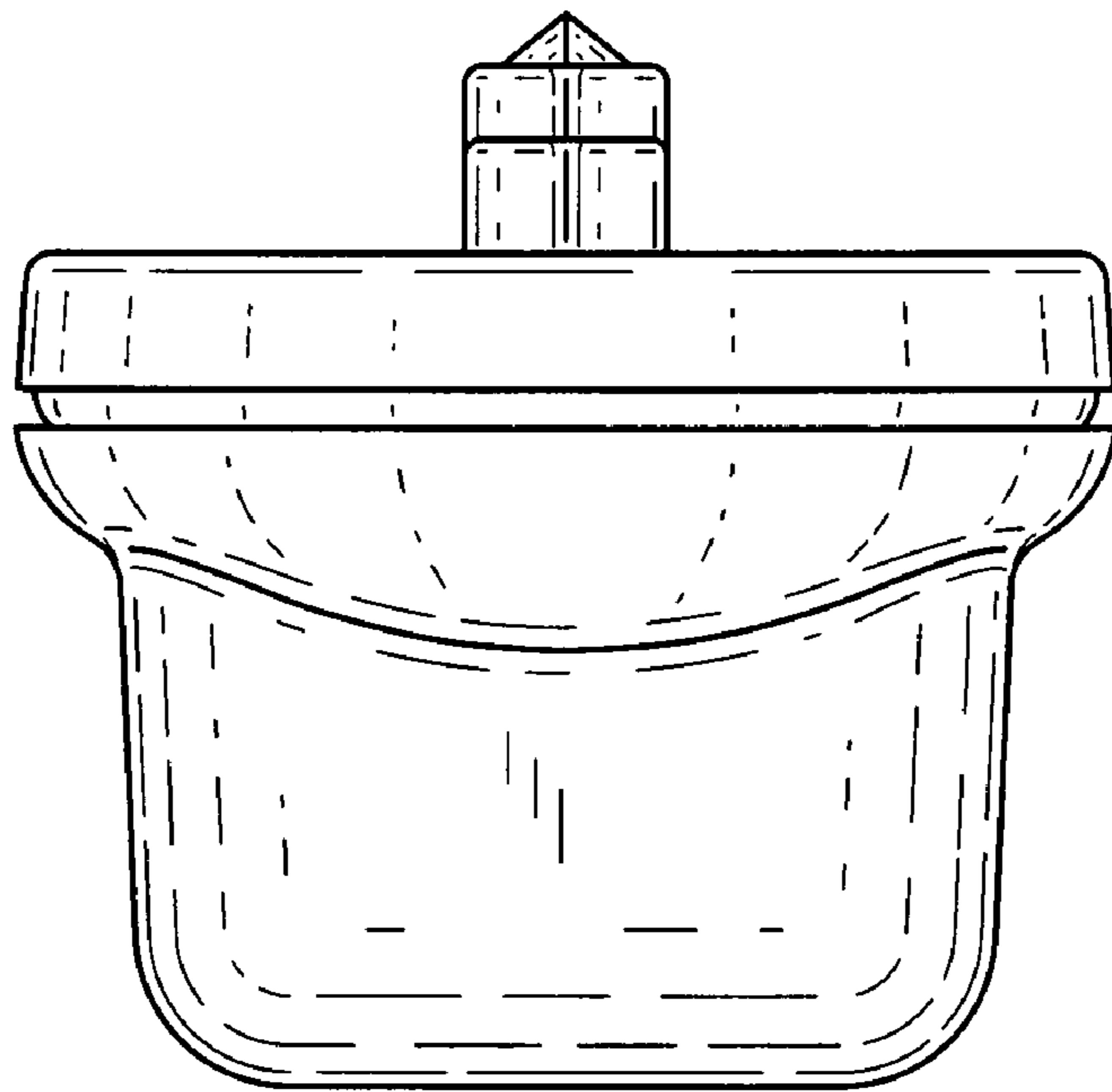


Fig.6

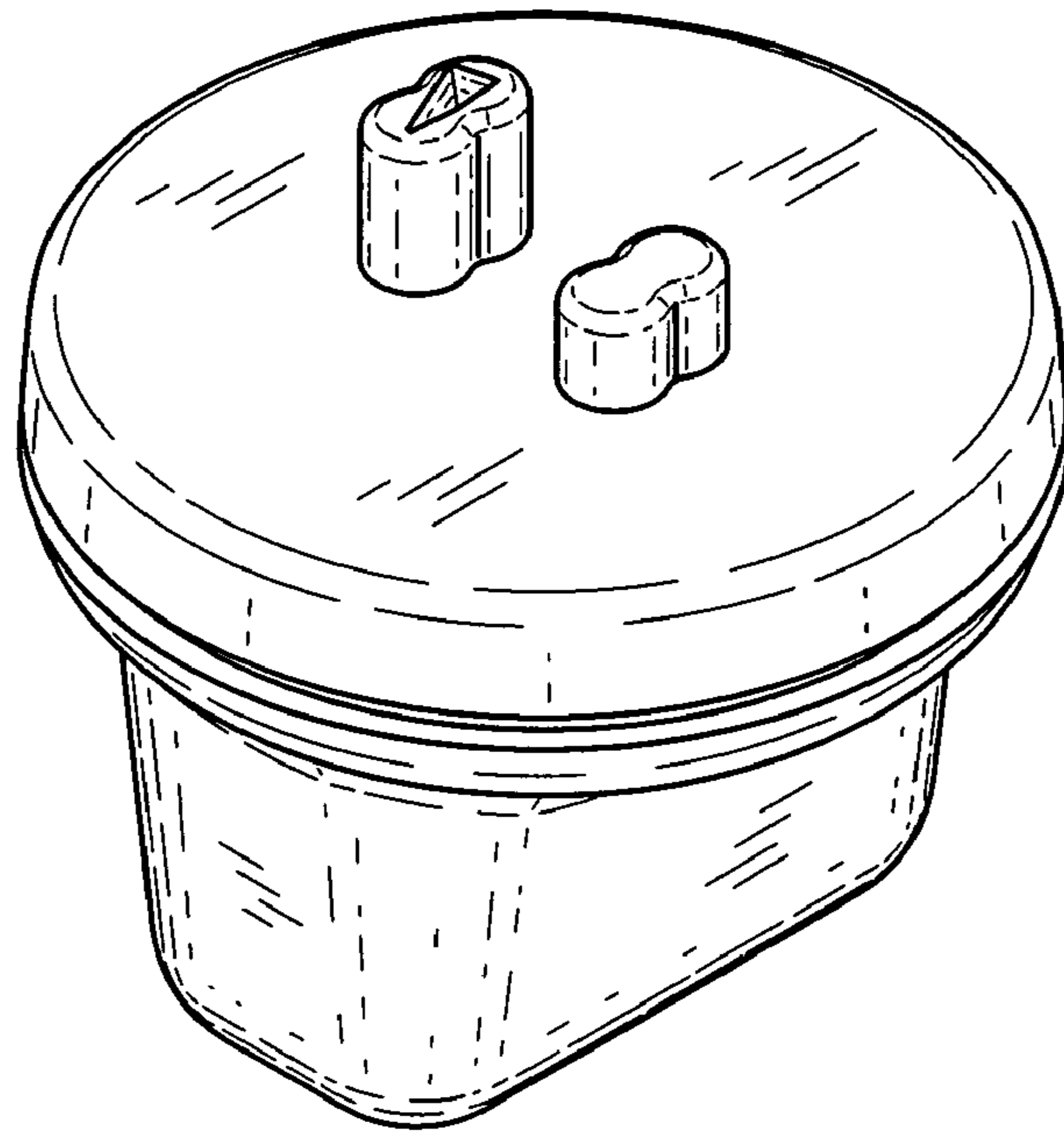


Fig.7

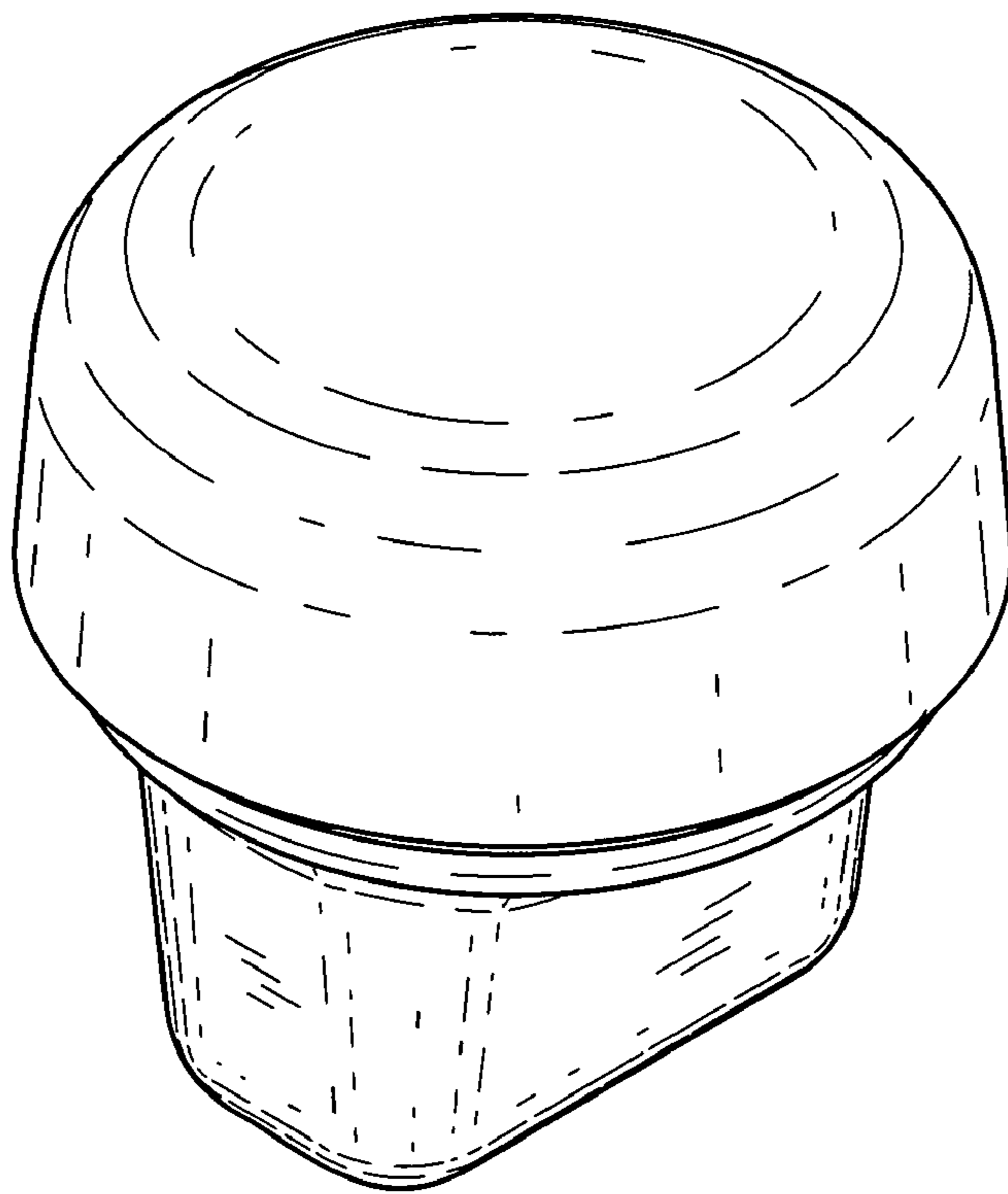


Fig.8

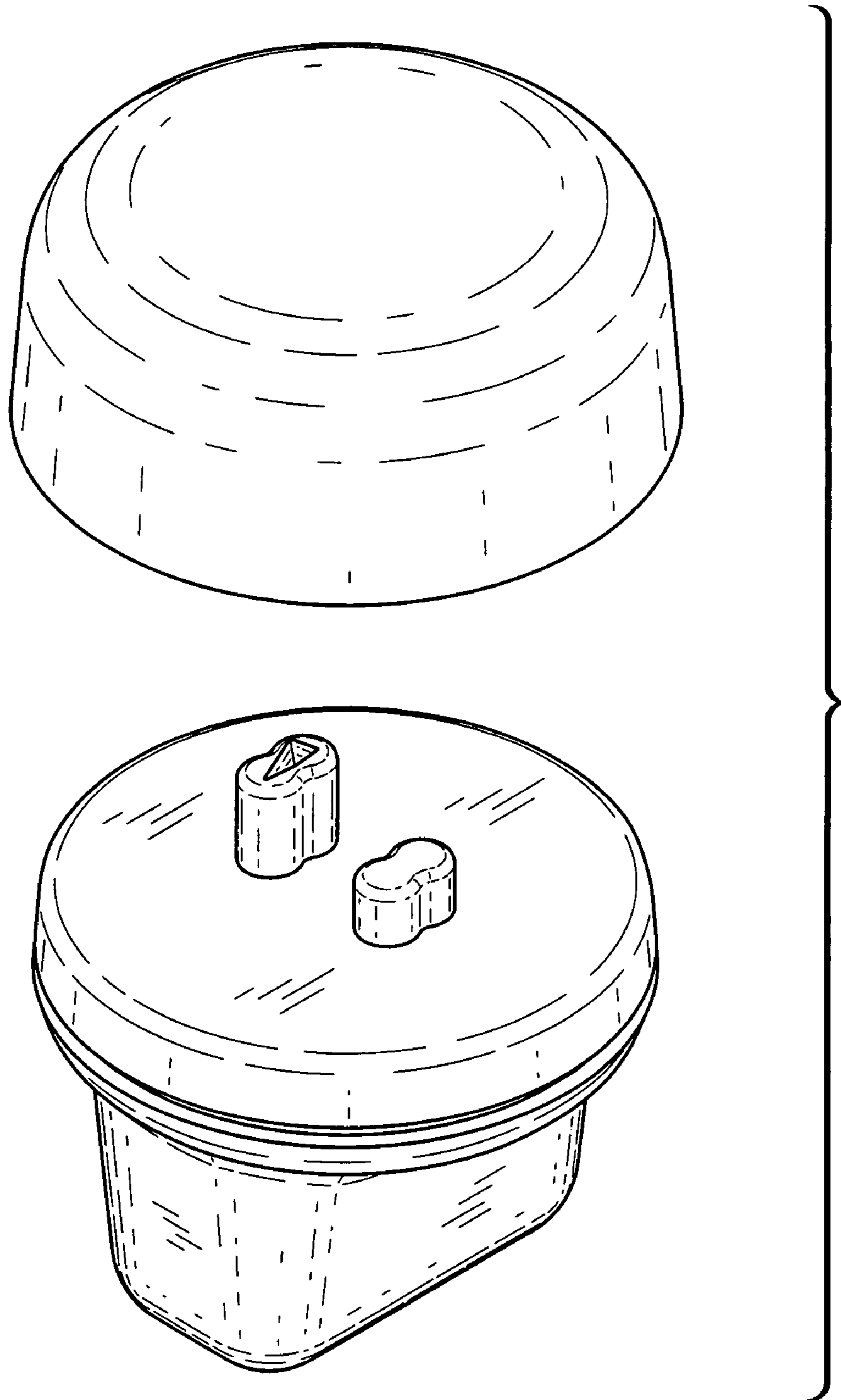


Fig.9