

US00D566511S

(12) **United States Design Patent**
Seehoff et al.

(10) **Patent No.: US D566,511 S**

(45) **Date of Patent: ** Apr. 15, 2008**

(54) **COMBINATION BAG CUTTER AND BAG CLIP**

(76) Inventors: **Gary Stanley Seehoff**, 1530 S. Lewis St., Anaheim, CA (US) 92806; **Bryan Craig Golden**, 1530 S. Lewis St., Anaheim, CA (US) 93001

(**) Term: **14 Years**

(21) Appl. No.: **29/248,205**

(22) Filed: **Aug. 2, 2006**

(51) **LOC (8) Cl. 08-03**

(52) **U.S. Cl. D8/98; D8/395**

(58) **Field of Classification Search** D8/395,
D8/394, 98, 14; 24/501, 30.5 R; 30/278,
30/280, 294; 7/156, 170; D19/65
See application file for complete search history.

(56) **References Cited**

U.S. PATENT DOCUMENTS

- D298,210 S * 10/1988 Hutson et al. D8/98
- D302,568 S * 8/1989 Berger D19/65
- 6,105,217 A * 8/2000 Caradine et al. 24/501
- 6,578,243 B1 * 6/2003 Hall 24/501
- D476,876 S * 7/2003 Hall D8/98

- D477,765 S * 7/2003 Hall D8/98
- 6,629,327 B2 * 10/2003 Adams 7/158
- D498,497 S * 11/2004 Lo D19/65
- D520,353 S * 5/2006 Mariano et al. D8/395
- D521,368 S * 5/2006 Carl D8/395

* cited by examiner

Primary Examiner—Philip S Hyder

(57) **CLAIM**

I claim the ornamental design for the combination bag cutter and bag clip, as shown.

DESCRIPTION

FIG. 1 is a top plan view of the combination bag cutter and bag clip showing my new design;

FIG. 2 is a front view thereof;

FIG. 3 is an isometric view thereof;

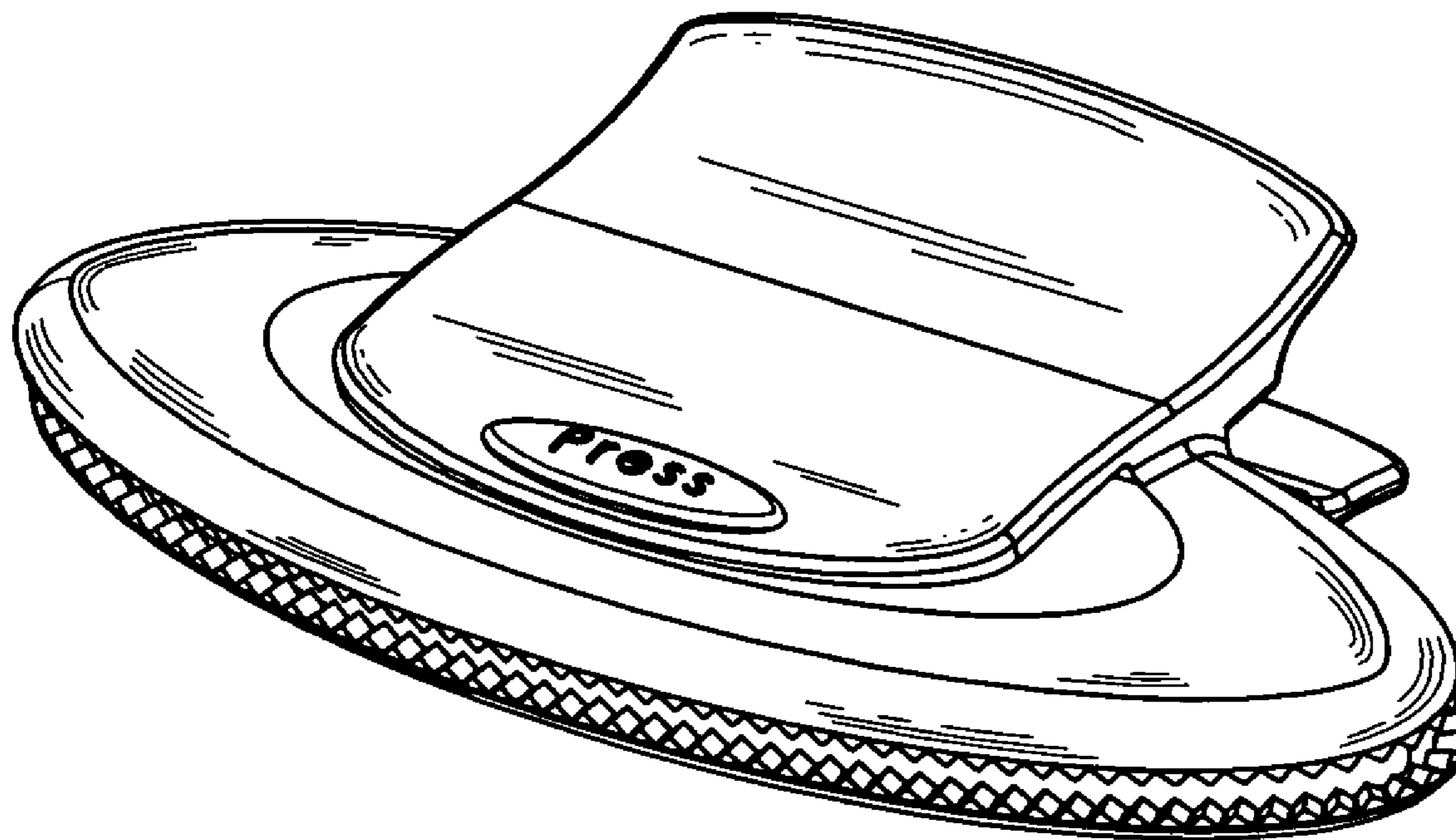
FIG. 4 is an enlarged cross section view along Line 4—4 in FIG. 5 thereof;

FIG. 5 is a rear view thereof;

FIG. 6 is a side view thereof; and,

FIG. 7 is a bottom plan view thereof.

1 Claim, 7 Drawing Sheets



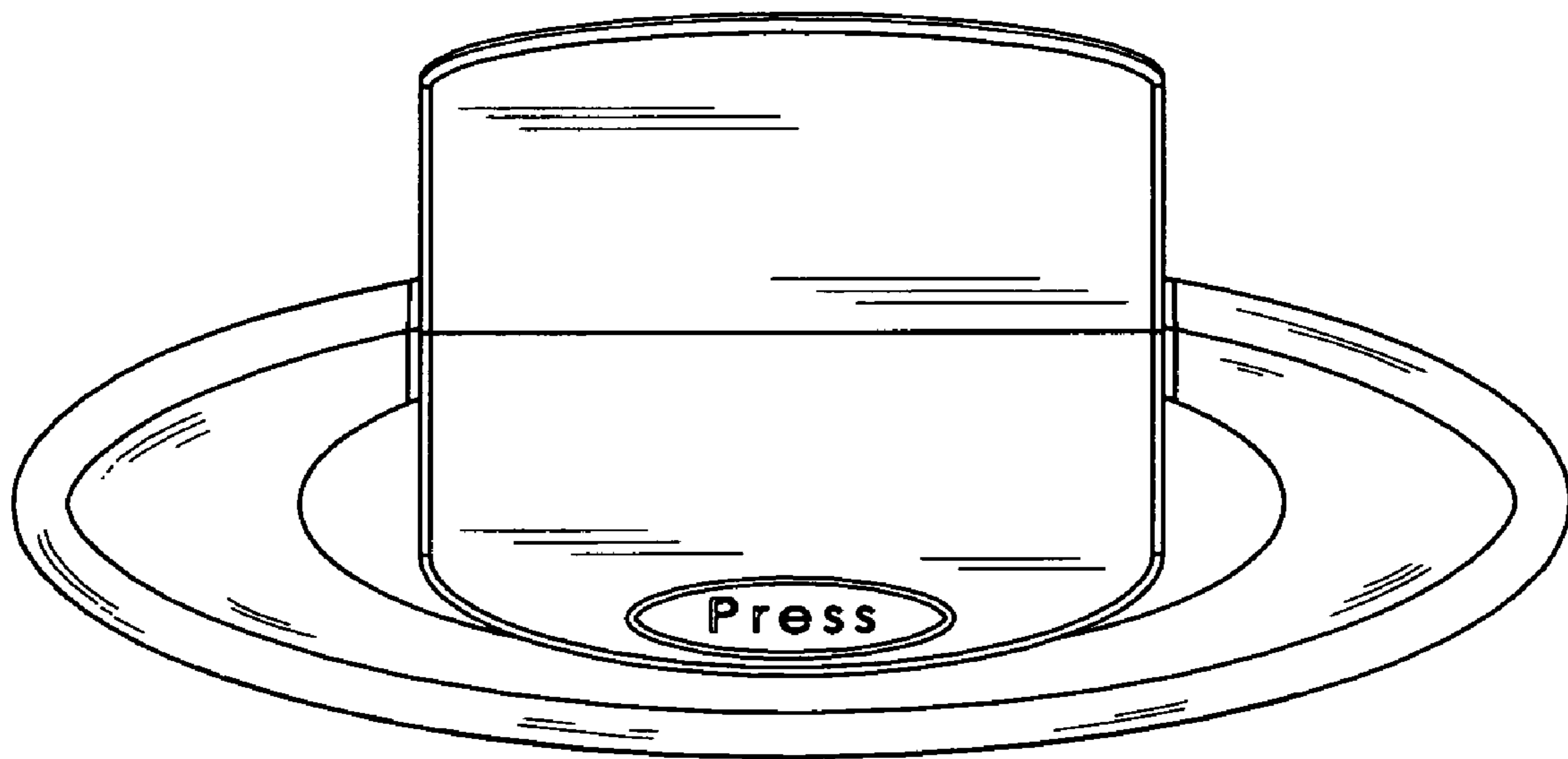


FIG 1

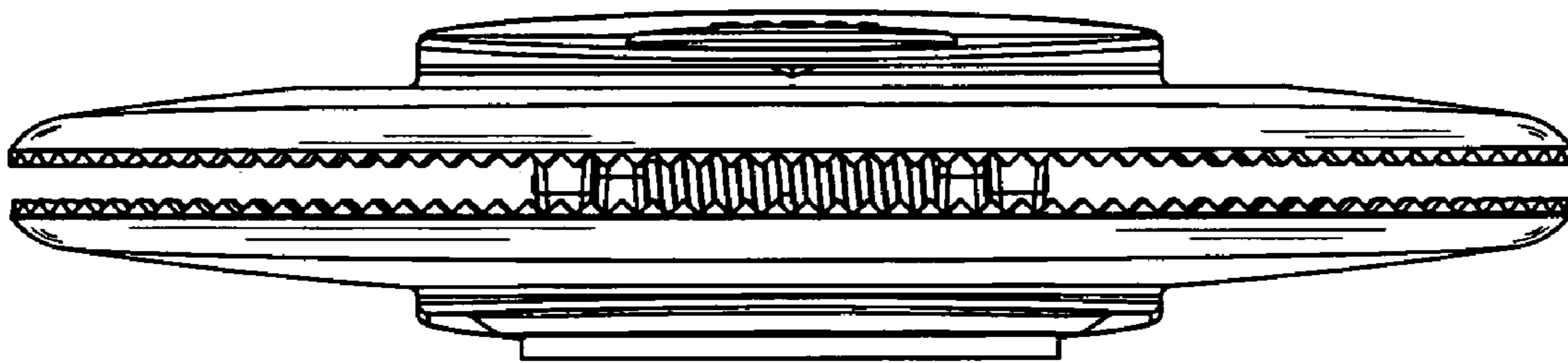


FIG. 2

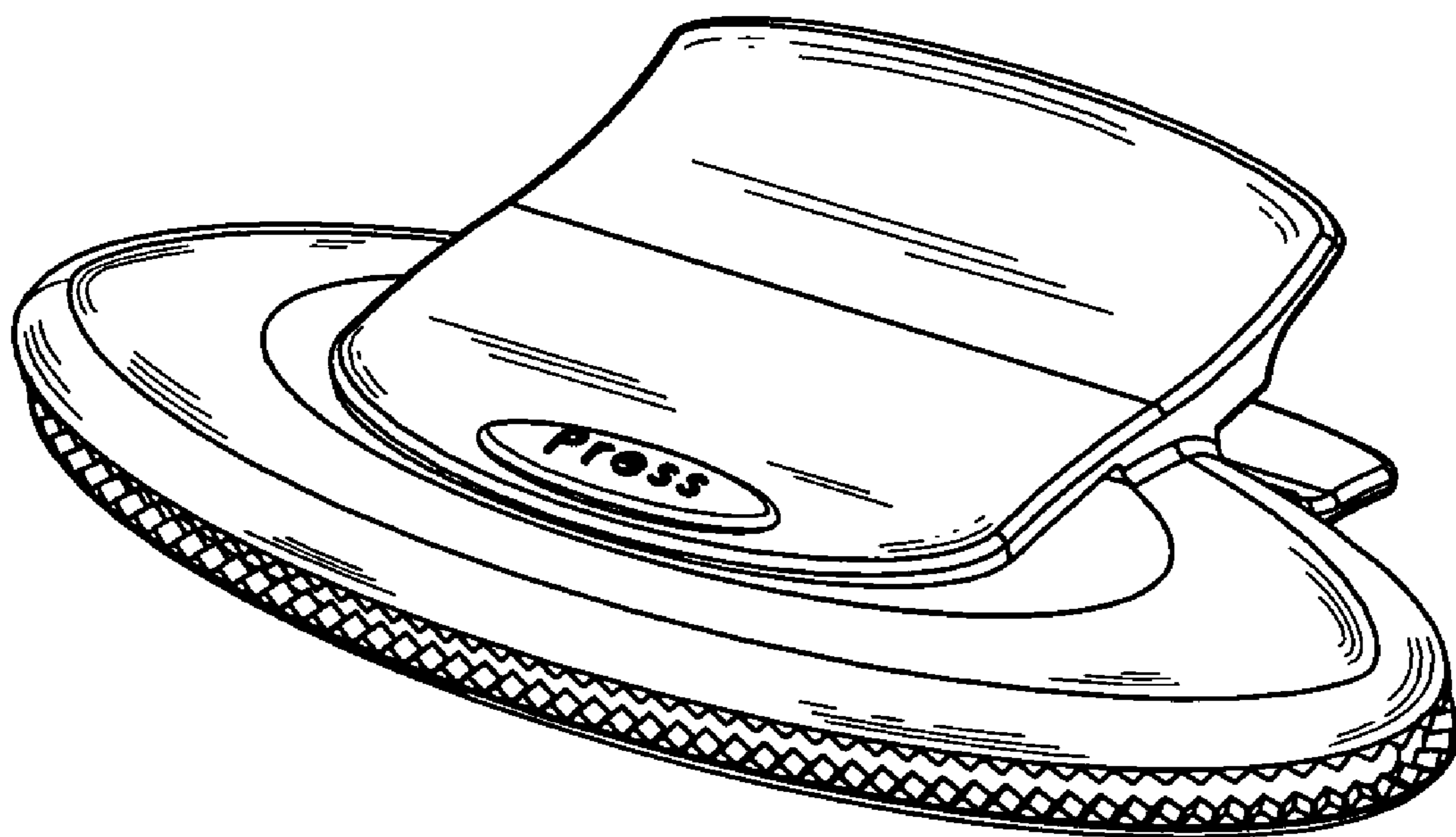


Fig. 3

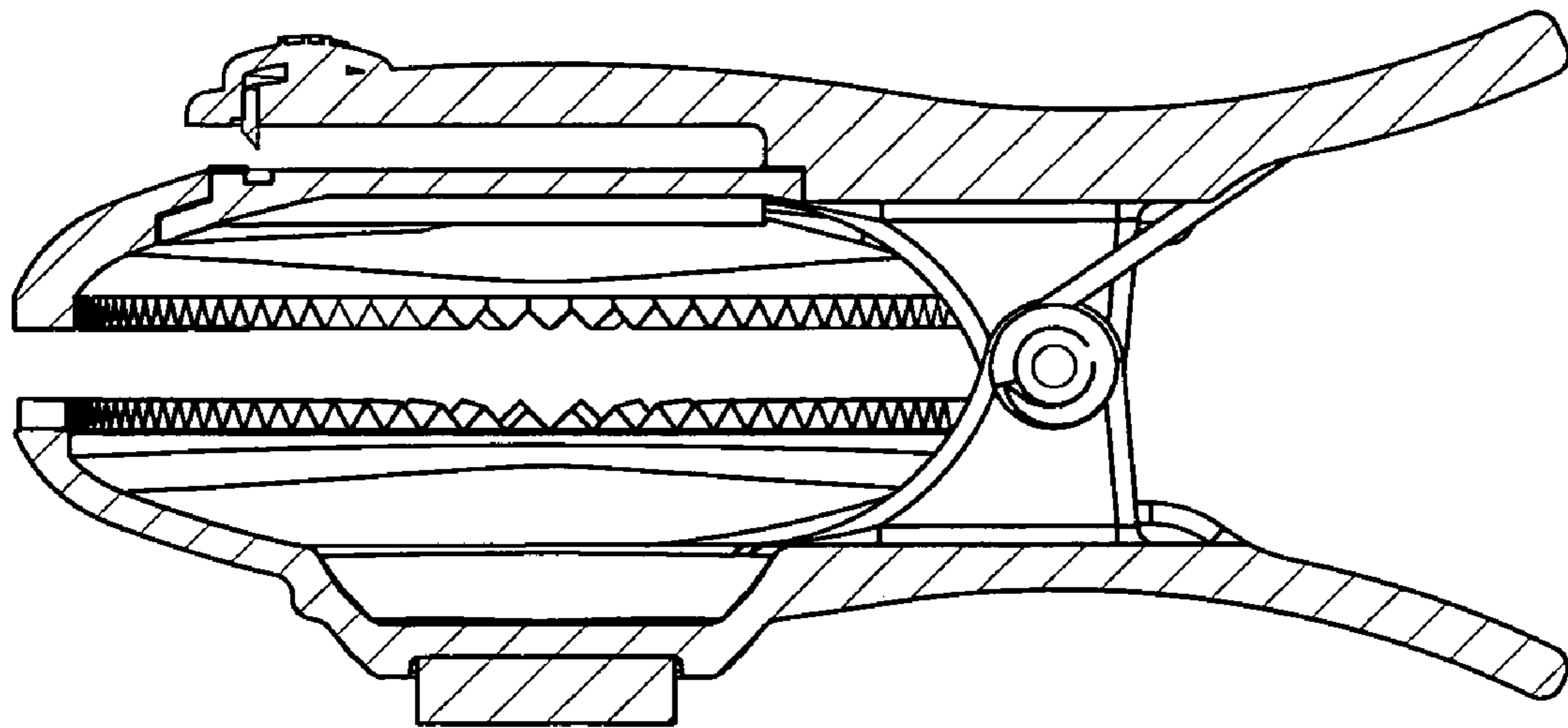


FIG. 4

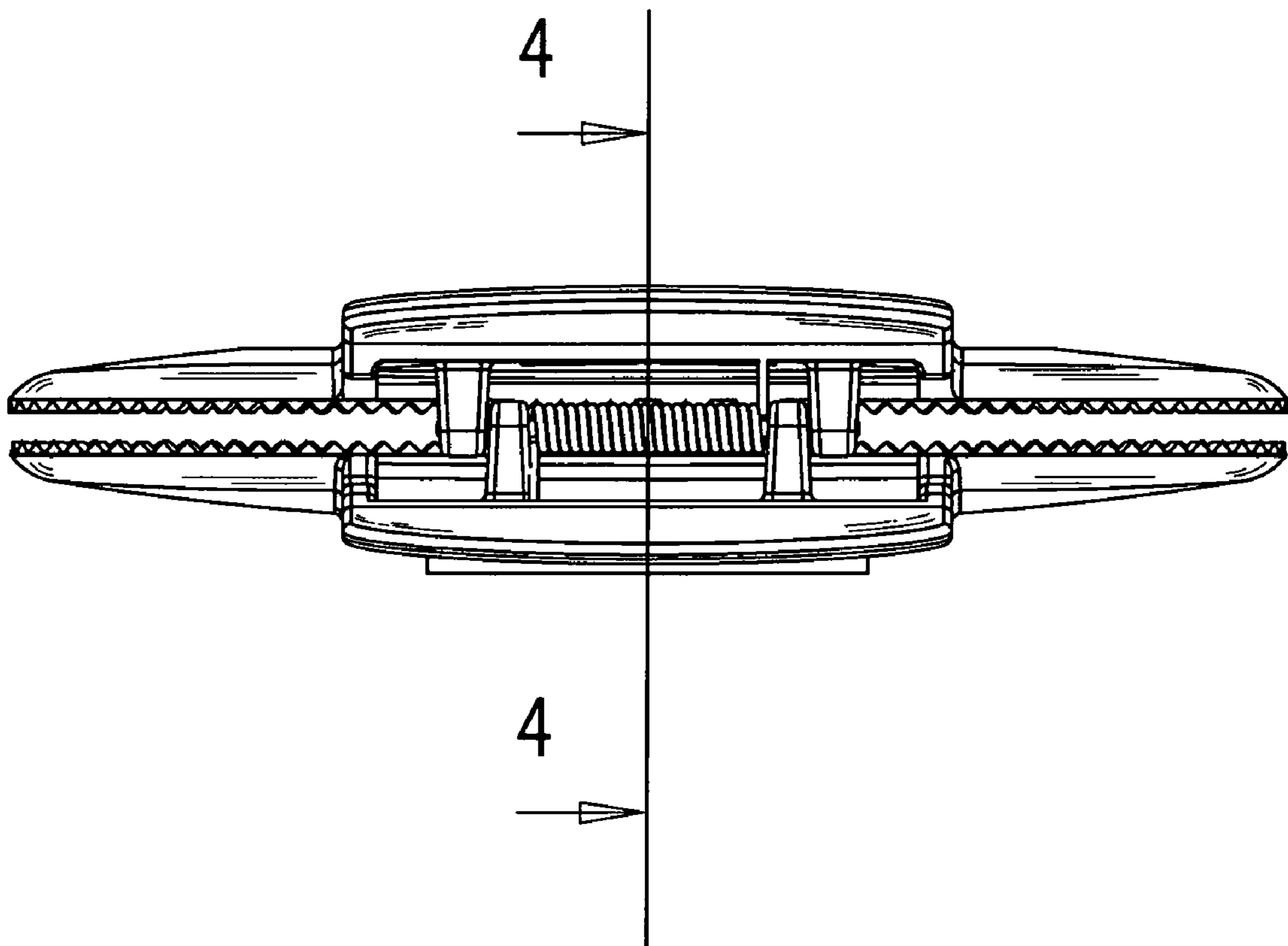


Fig. 5

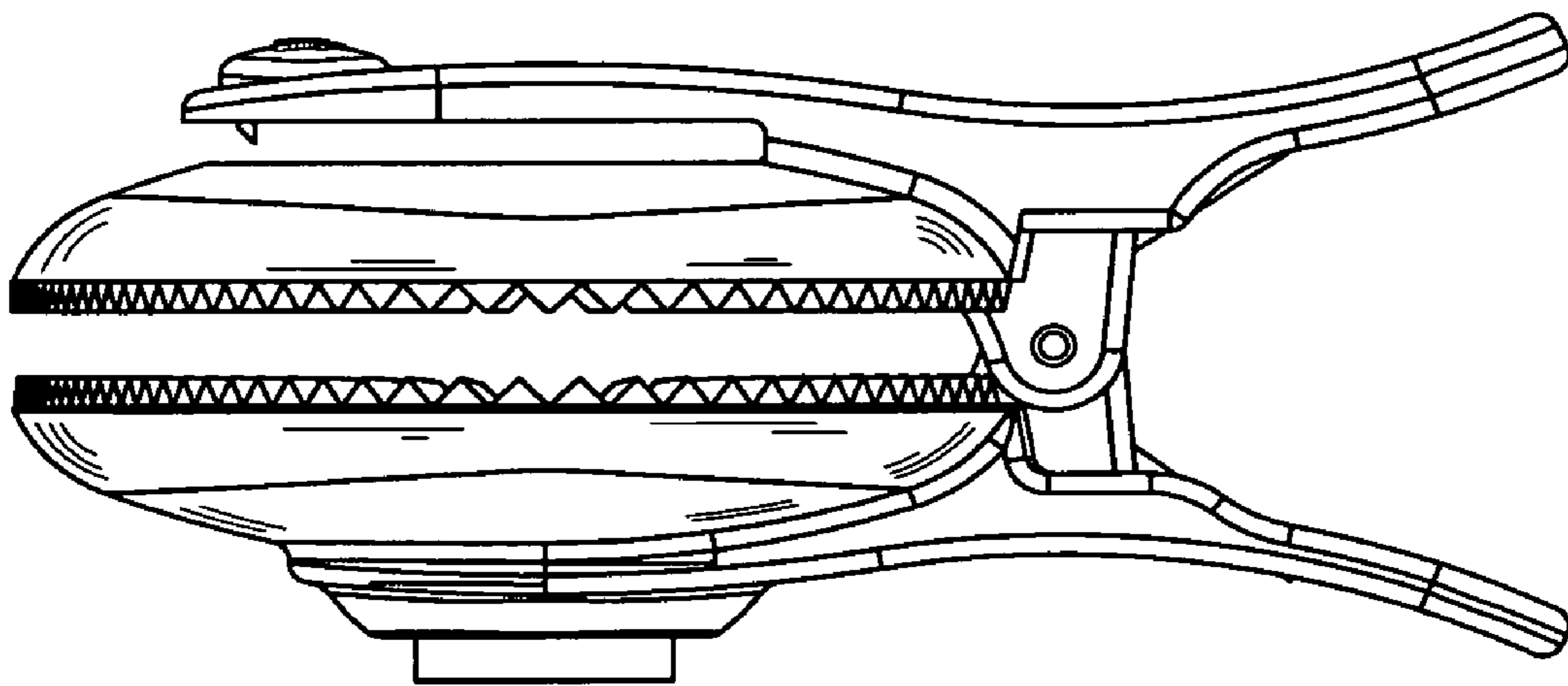


FIG. 6

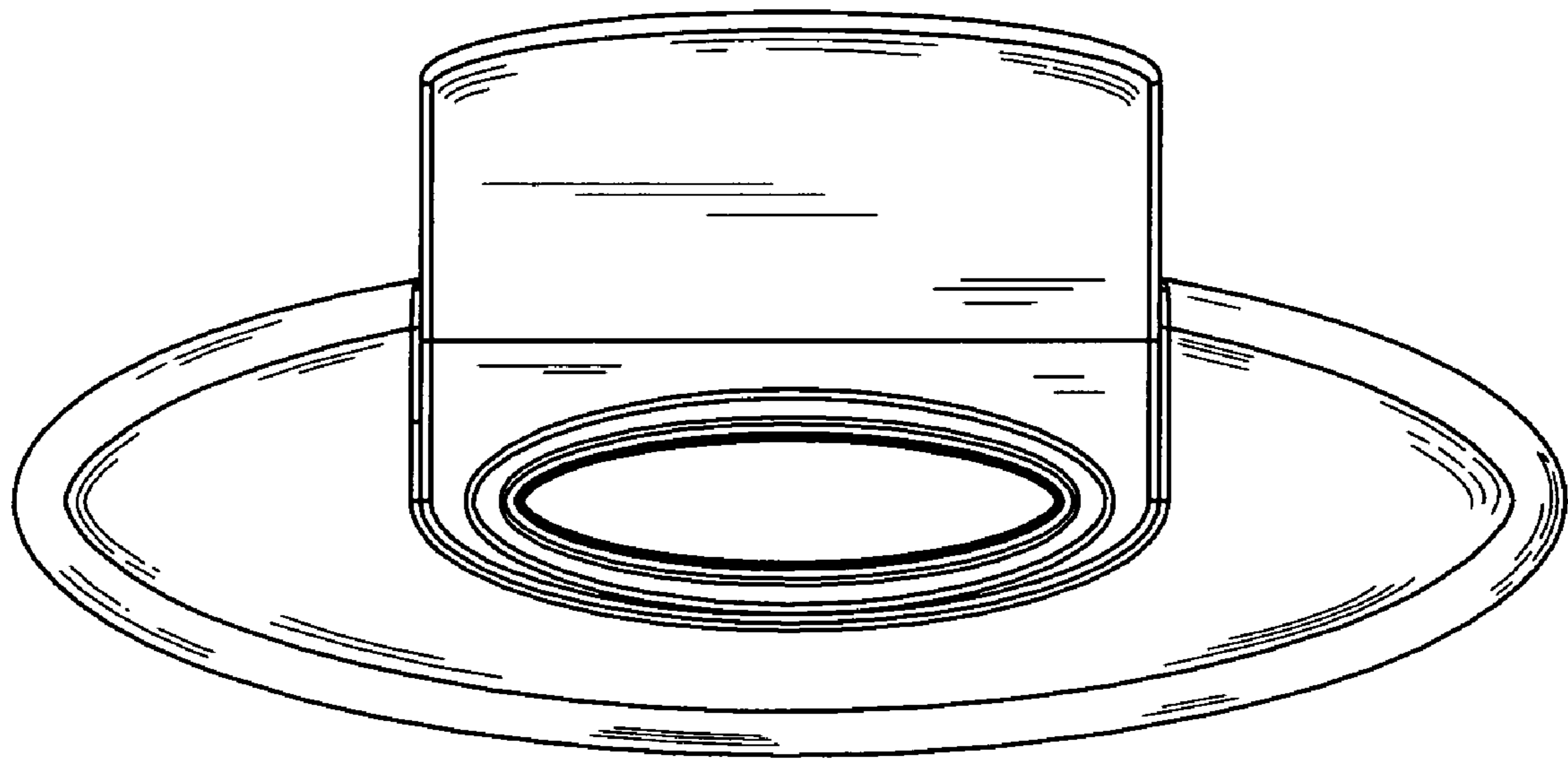


FIG. 7