



US00D566508S

(12) **United States Design Patent**
Lin

(10) **Patent No.:** **US D566,508 S**

(45) **Date of Patent:** **** Apr. 15, 2008**

(54) **TOOL HOLDER**

(76) **Inventor:** **Hung-Lin Lin**, No. 581-6, Changhsing Rd., Sec. 2, Changhua City (TW)

(**) **Term:** **14 Years**

(21) **Appl. No.:** **29/262,960**

(22) **Filed:** **Jul. 14, 2006**

(51) **LOC (8) Cl.** **08-05**

(52) **U.S. Cl.** **D8/71**

(58) **Field of Classification Search** D8/70-74,
D8/349, 354, 355, 373, 395, 14; D3/315;
D6/553; D15/130, 132, 135, 136, 138-141,
D15/144.1, 144.2; D19/78; 206/349, 372,
206/373; 211/70.1, 70.6; 220/696; 294/19.1,
294/27.1, 86.4; 299/104, 106; 16/429; 29/527.1,
29/527.5; 248/229.15

See application file for complete search history.

(56) **References Cited**

U.S. PATENT DOCUMENTS

D273,760 S *	5/1984	Takei	D8/354
D294,668 S *	3/1988	Handler et al.	D6/570
D297,110 S *	8/1988	Zagorski	D8/349
D299,481 S *	1/1989	Handler et al.	D6/569
D342,440 S *	12/1993	Forsberg	D8/373
D354,672 S *	1/1995	Van de Peer	D8/354
6,032,797 A *	3/2000	Kao	206/378
D433,613 S *	11/2000	Jialin	D8/71
6,202,864 B1 *	3/2001	Ernst et al.	211/70.6

D440,852 S *	4/2001	Ernst	D8/71
D443,160 S *	6/2001	Ernst	D6/553
D453,103 S *	1/2002	Tell	D8/356
6,401,923 B1 *	6/2002	Huang	206/376
D480,949 S *	10/2003	Kosir	D8/373
6,679,391 B1 *	1/2004	Huang	211/70.6
6,758,350 B2 *	7/2004	Lin	211/70.6
6,976,582 B2 *	12/2005	Chen	206/376
D529,359 S *	10/2006	Lin	D8/71

* cited by examiner

Primary Examiner—T. Chase Nelson

Assistant Examiner—Karen Acker

(74) *Attorney, Agent, or Firm*—Rosenberg, Klein & Lee

(57) **CLAIM**

The ornamental design for a tool holder, as shown and described.

DESCRIPTION

FIG. 1 is a perspective view of a tool holder showing my new design;

FIG. 2 is a top plan view thereof;

FIG. 3 is a bottom plan view thereof;

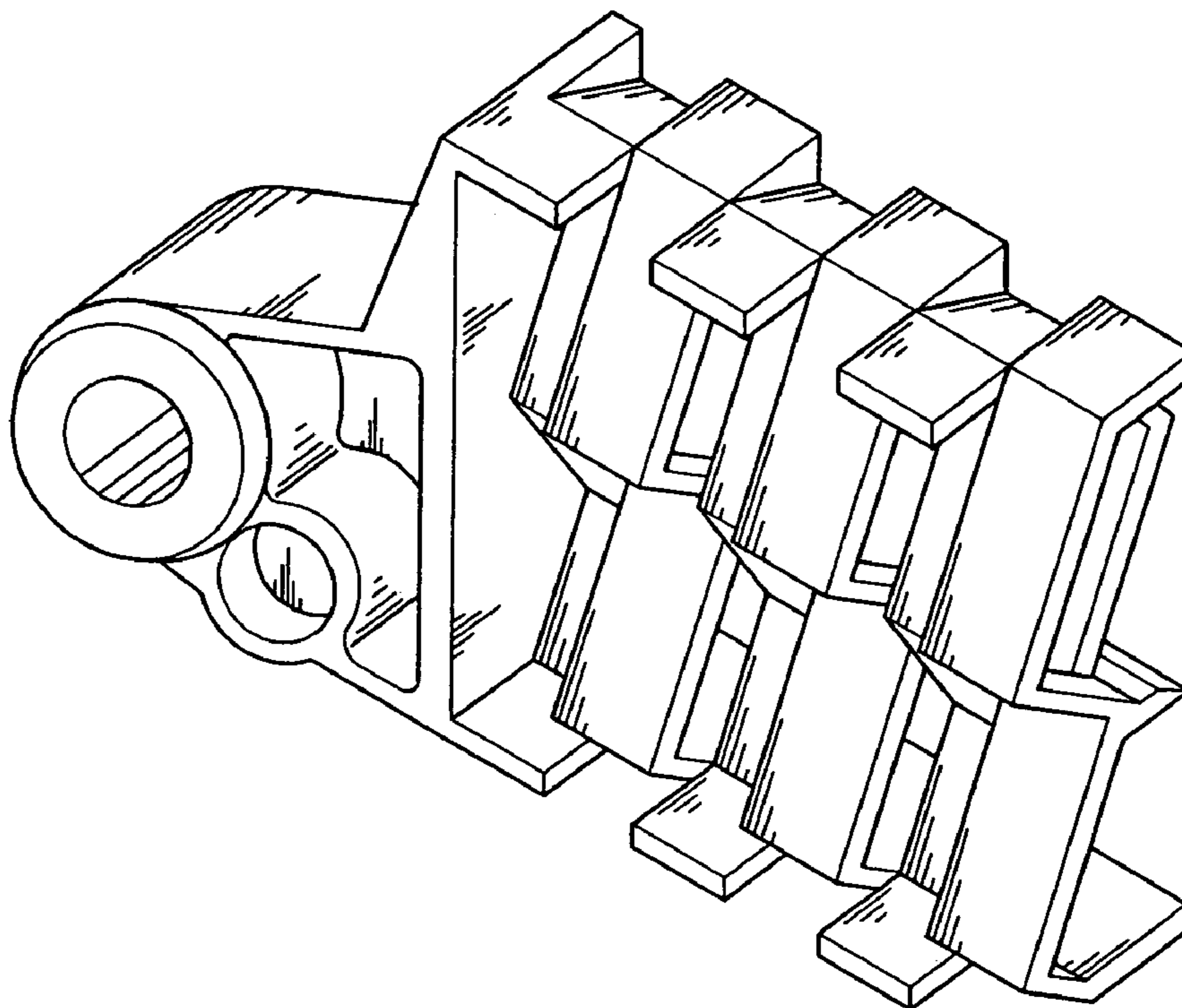
FIG. 4 is a front elevational view thereof;

FIG. 5 is a rear elevational view thereof;

FIG. 6 is a left side elevational view thereof; and,

FIG. 7 is a right side elevational view thereof.

1 Claim, 4 Drawing Sheets



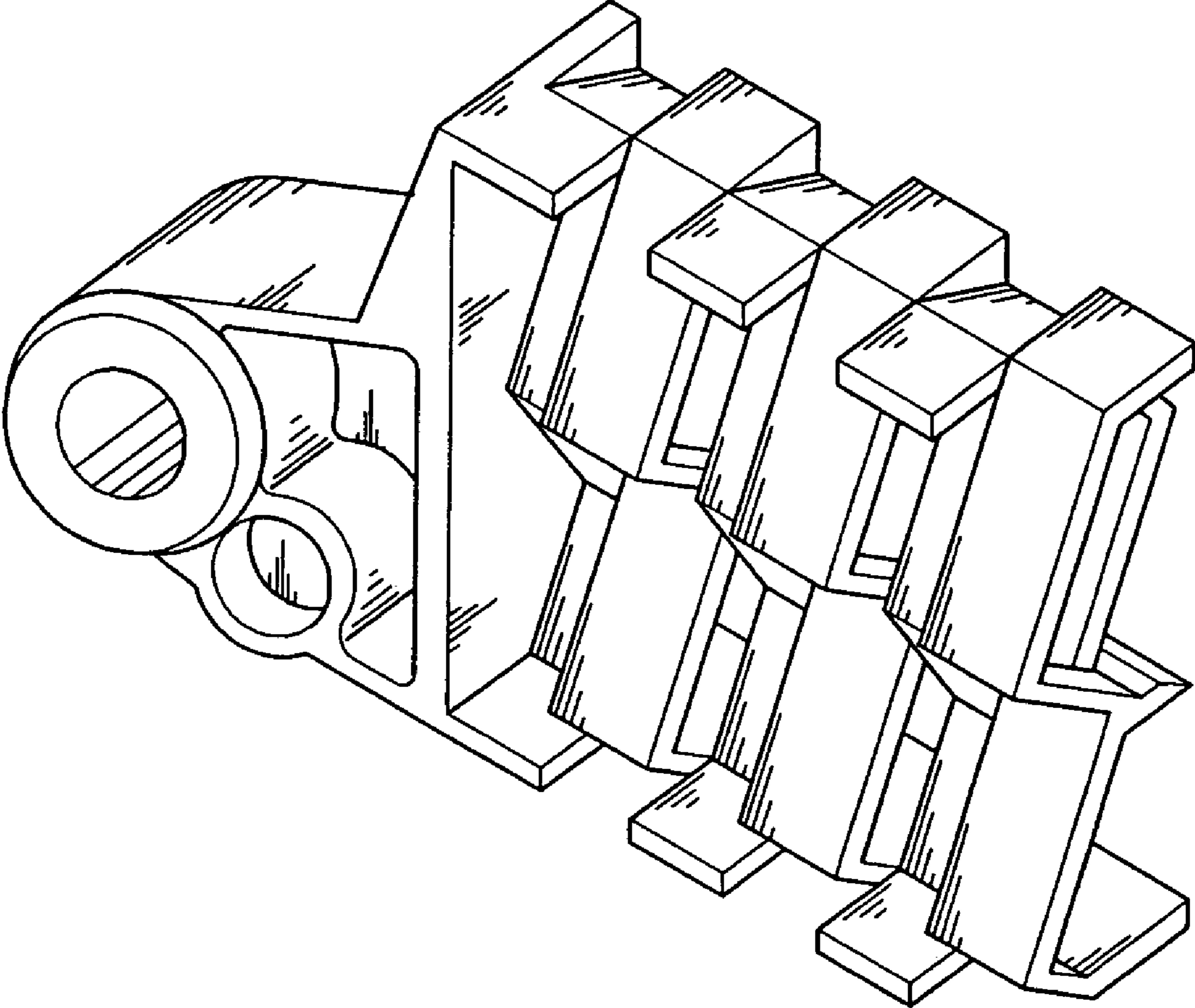


FIG. 1

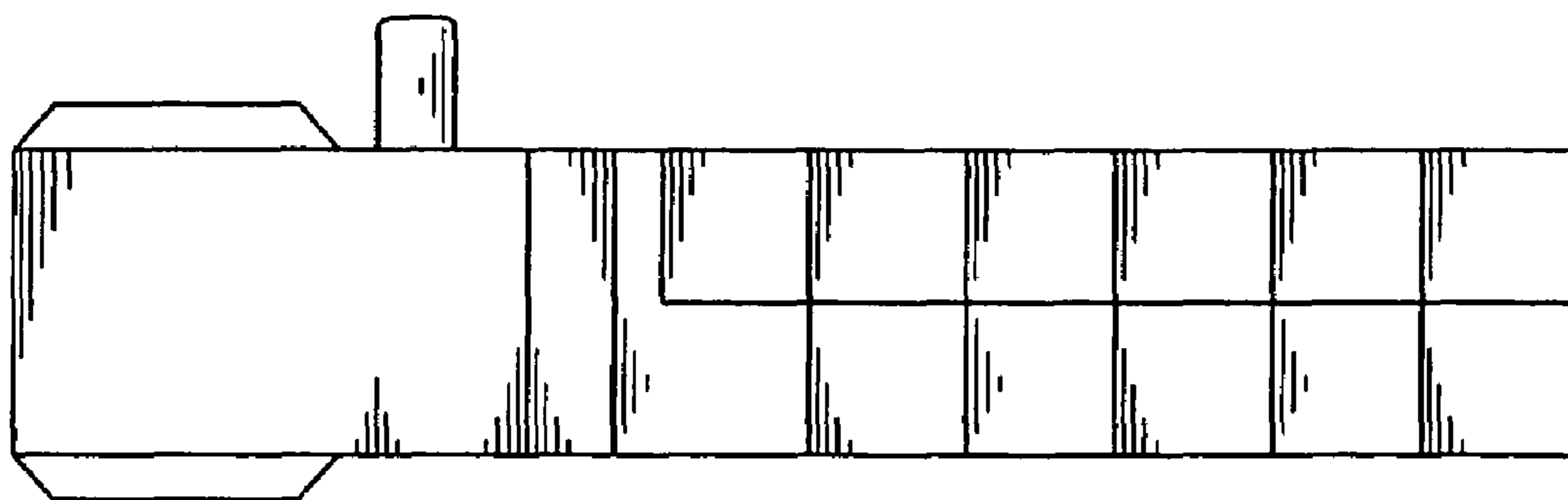


FIG. 2

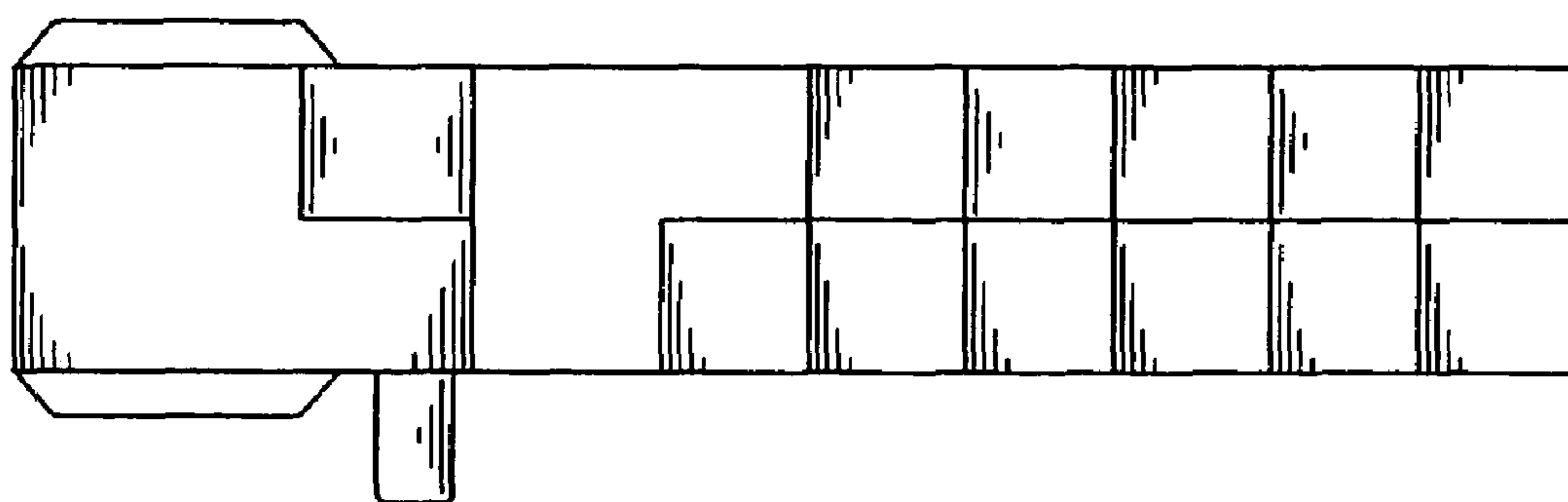


FIG. 3

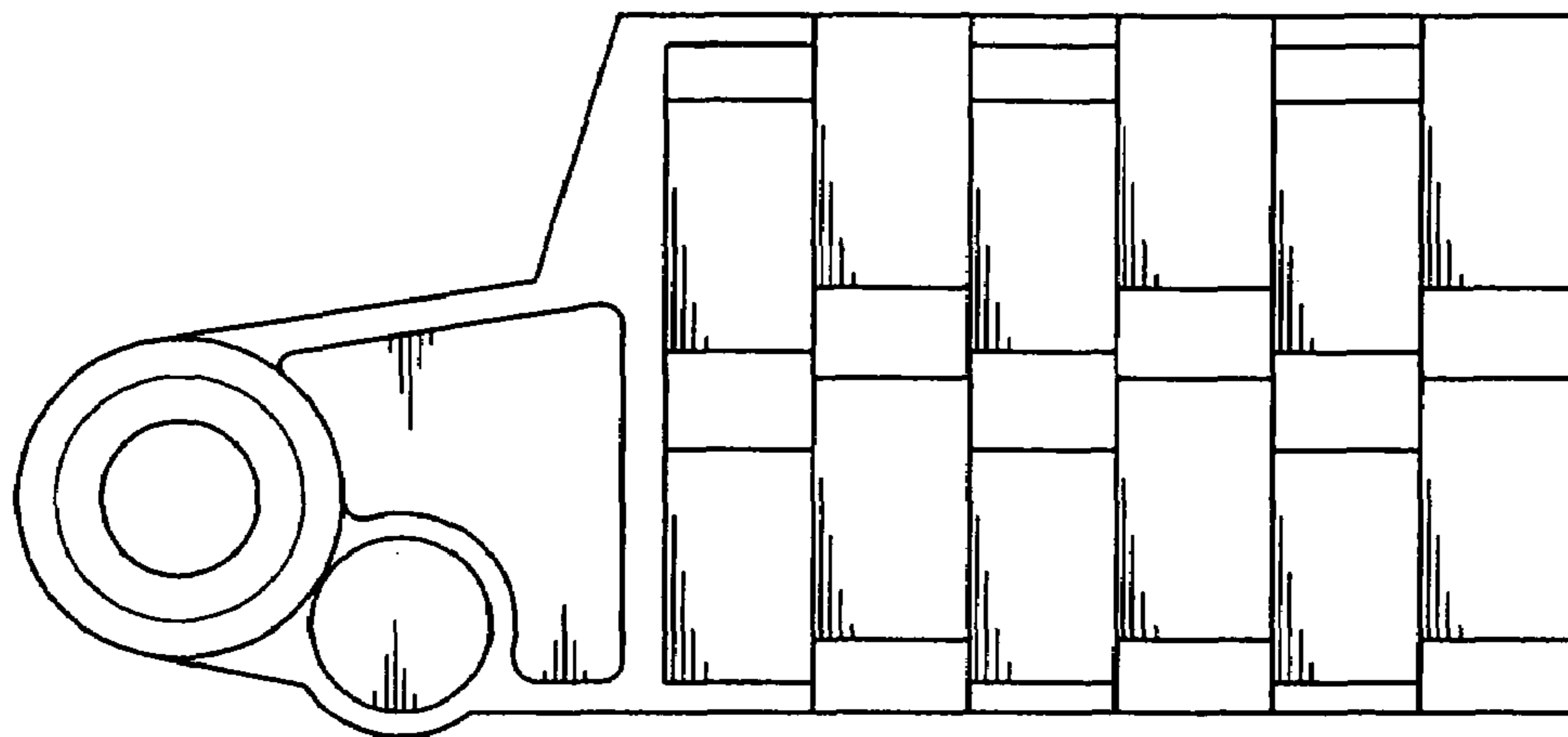


FIG. 4

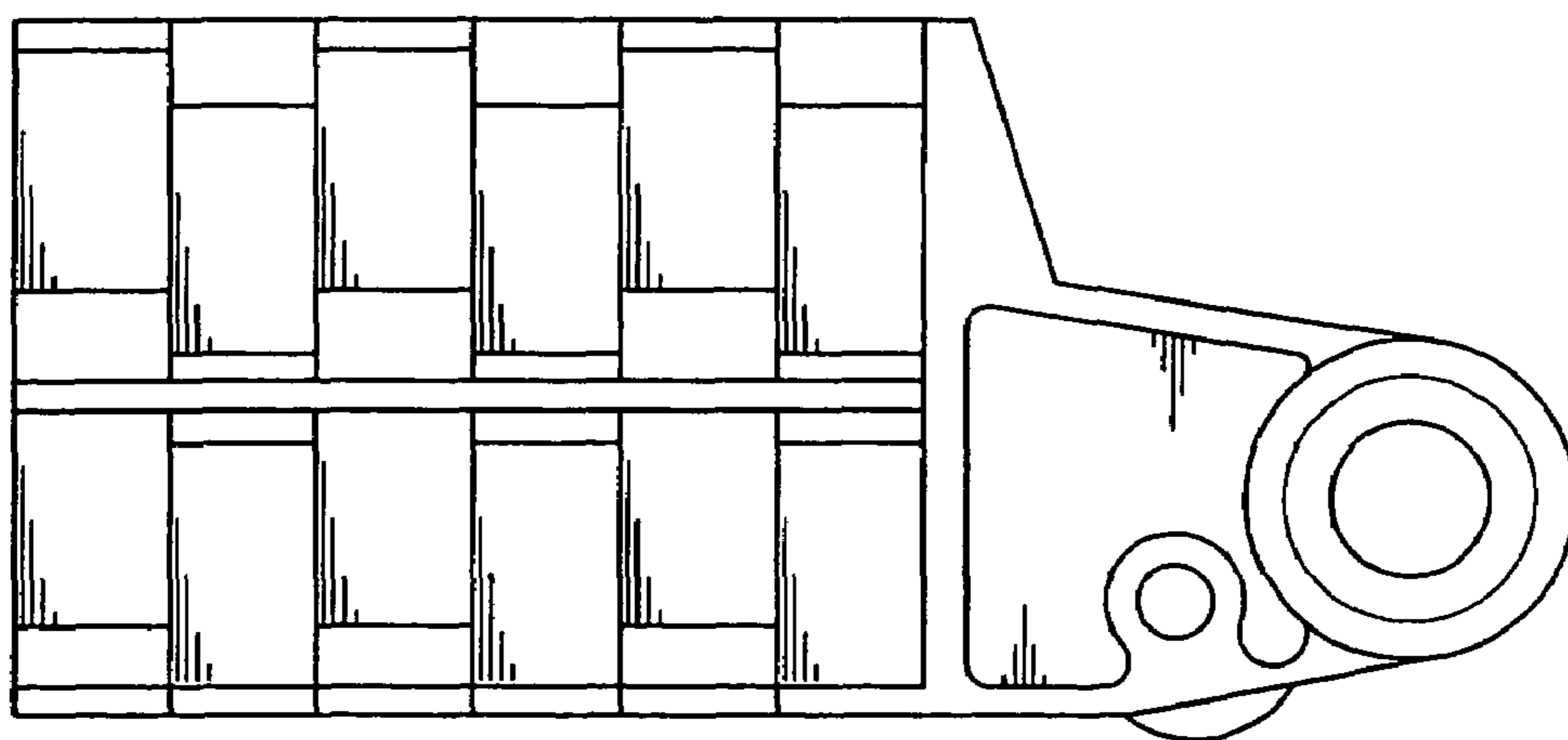


FIG. 5

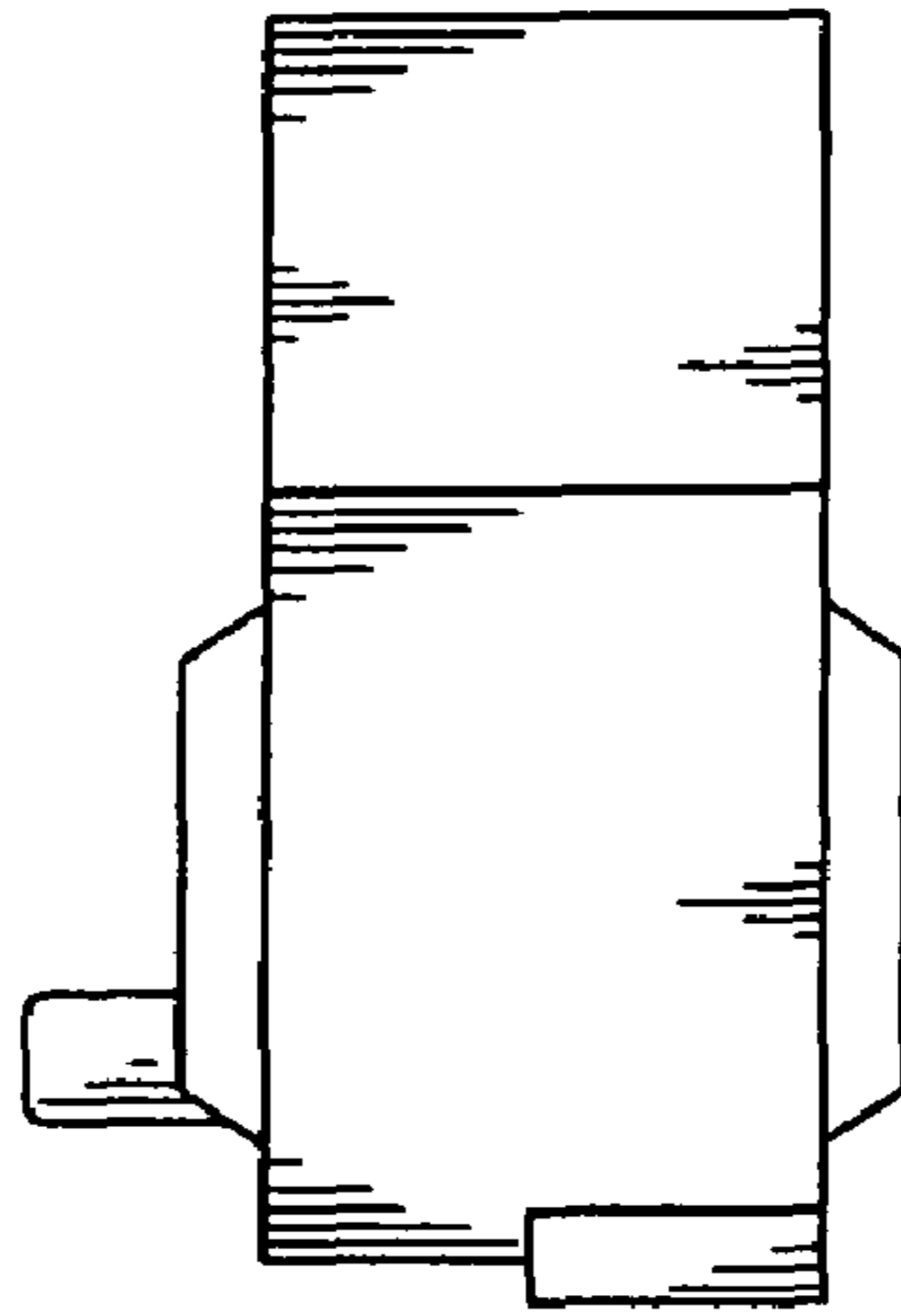


FIG. 6

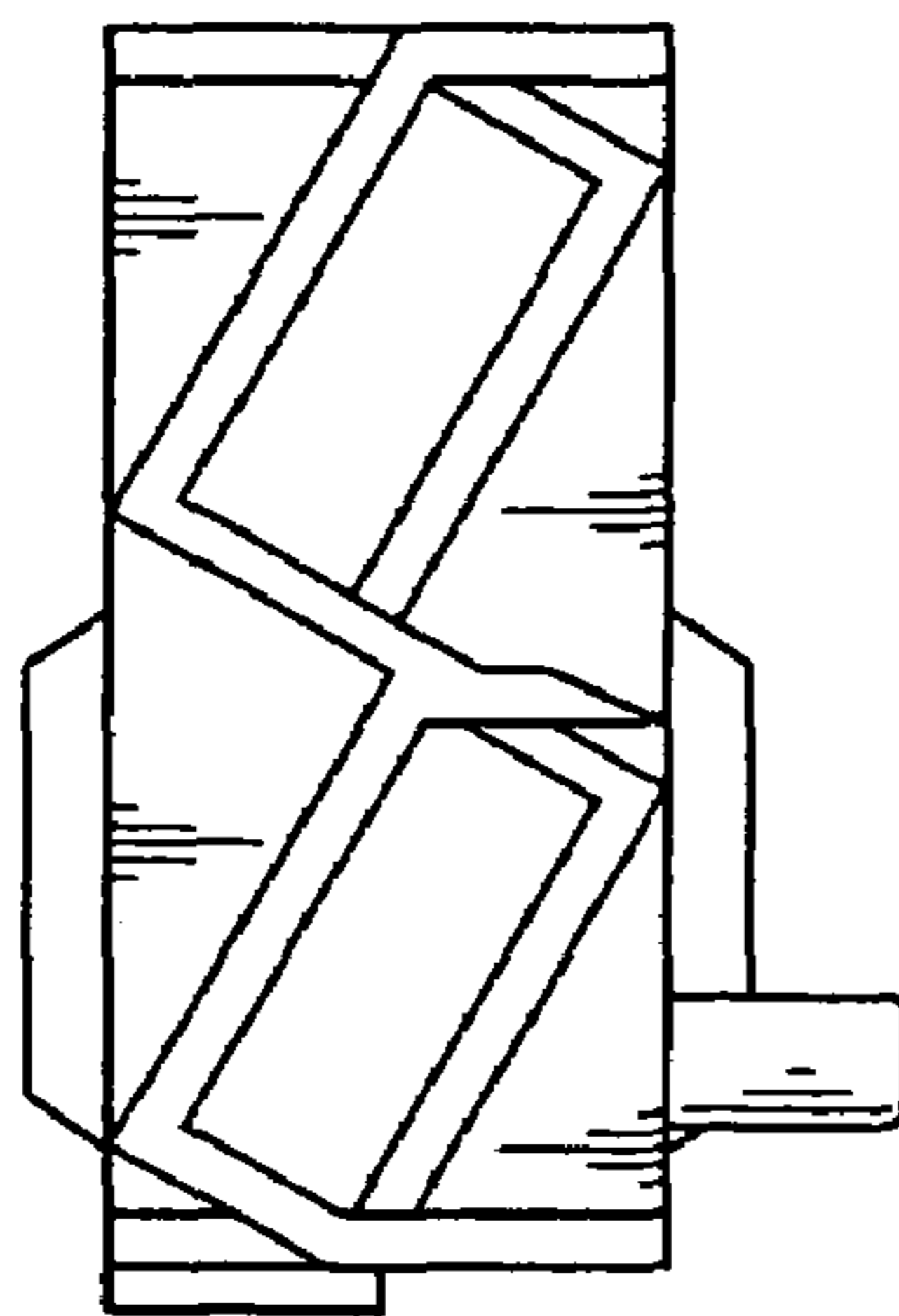


FIG. 7