



US00D566507S

(12) **United States Design Patent**
Lin

(10) **Patent No.:** **US D566,507 S**

(45) **Date of Patent:** **** Apr. 15, 2008**

(54) **NUT HOLDER SET**

(76) **Inventor:** **Yen-Wen Lin**, 13F, No. 27, Lane 93,
Liu Yang W. Street, Pei Tun District,
Taichung (TW)

(**) **Term:** **14 Years**

(21) **Appl. No.:** **29/255,622**

(22) **Filed:** **Mar. 10, 2006**

(51) **LOC (8) Cl.** **08-05**

(52) **U.S. Cl.** **D8/71**

(58) **Field of Classification Search** D8/70-74,
D8/349, 354, 355, 373, 395, 14; D3/315;
D6/553; D15/130, 132, 135, 136, 138-141,
D15/144.1, 144.2; D19/78; 206/349, 372,
206/373; 211/70.1, 70.6; 220/696; 294/19.1,
294/27.1, 86.4; 299/104, 106; 16/429; 29/527.1,
29/527.5; 248/229.15
See application file for complete search history.

(56) **References Cited**

U.S. PATENT DOCUMENTS

D196,607 S *	10/1963	Hirt	D8/71
D232,676 S *	9/1974	Oliver	D6/553
D256,425 S *	8/1980	Hayes	D8/71
D289,005 S *	3/1987	Babb	D8/72
D341,051 S *	11/1993	Hubbard	D6/567
D353,753 S *	12/1994	Williams	D8/14
D376,086 S *	12/1996	Hollingsworth	D8/71

D406,512 S *	3/1999	Gardner	D8/70
D407,295 S *	3/1999	Belokin et al.	D8/349
D415,415 S *	10/1999	Robertson	D3/315
6,202,864 B1 *	3/2001	Ernst et al.	211/70.6
D472,123 S *	3/2003	Juan	D8/70
D514,414 S *	2/2006	Teng	D8/70
2004/0050734 A1 *	3/2004	Kao	206/370
2005/0109649 A1 *	5/2005	Natoli et al.	206/372
2005/0194277 A1 *	9/2005	Thayer	206/372

* cited by examiner

Primary Examiner—T. Chase Nelson

Assistant Examiner—Karen Acker

(74) *Attorney, Agent, or Firm*—Charles E. Baxley

(57) **CLAIM**

The ornamental design for nut holder set, as shown and described.

DESCRIPTION

FIG. 1 is a perspective view of a nut holder set showing my new design;

FIG. 2 is a front view thereof;

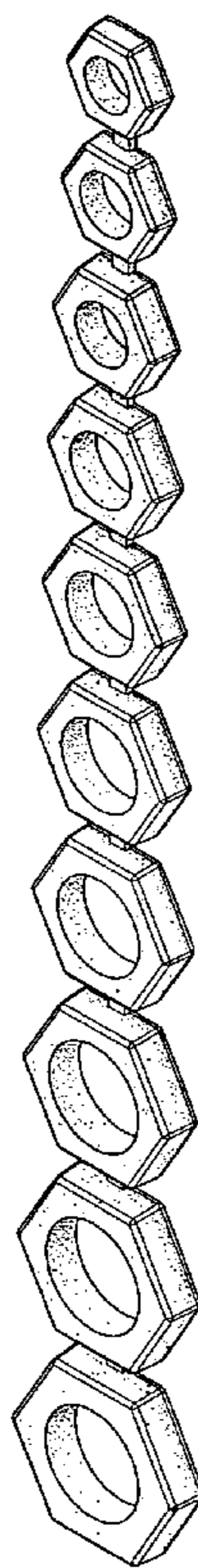
FIG. 3 is a rear view thereof;

FIG. 4 is a left view thereof; the opposite side being a mirror image of the shown;

FIG. 5 is a top view thereof; and,

FIG. 6 is a bottom view thereof.

1 Claim, 3 Drawing Sheets



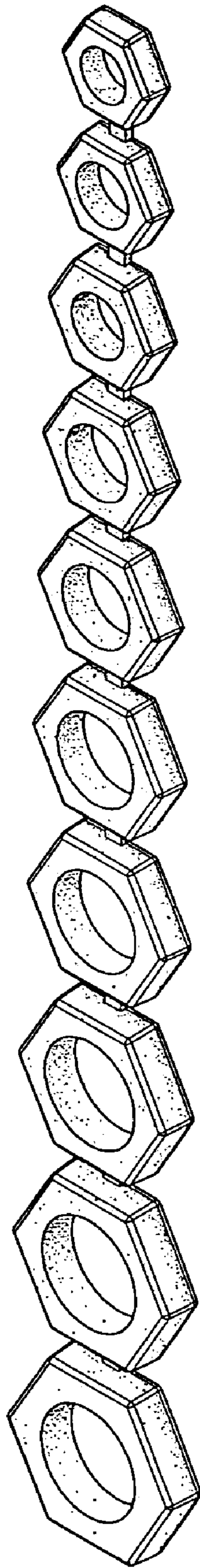


Fig. 1

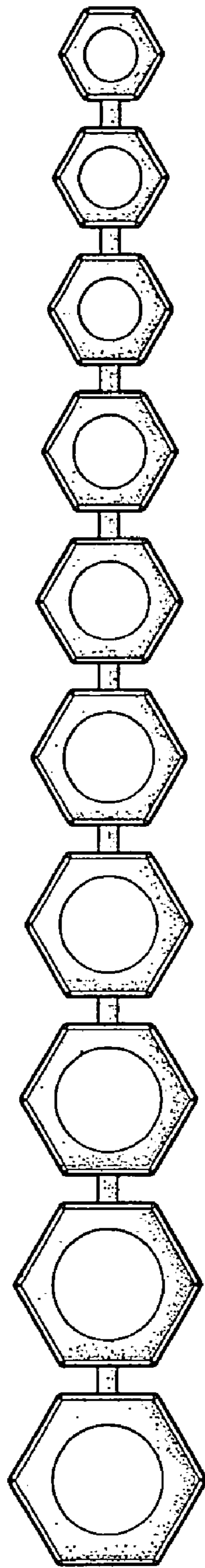


Fig. 2

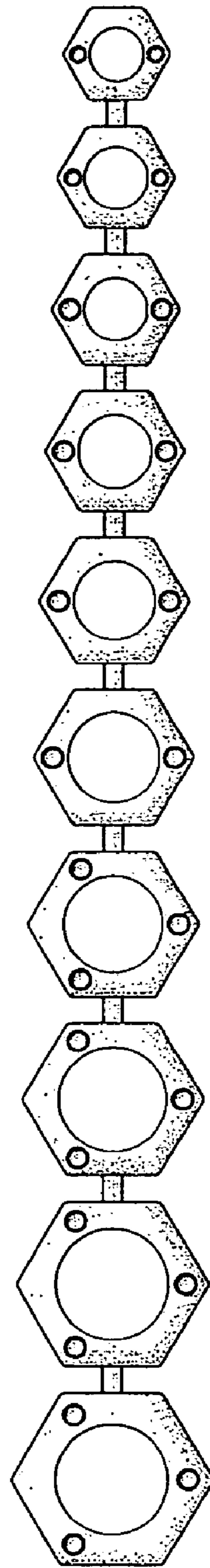


Fig. 3



Fig. 4



Fig. 5

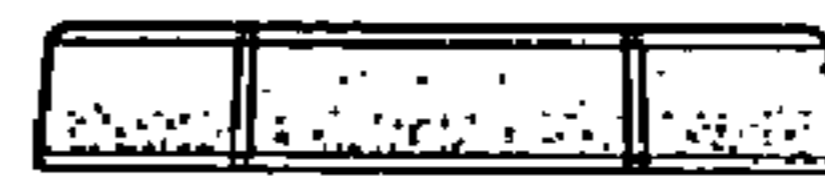


Fig. 6