



US00D566504S

(12) **United States Design Patent**
Hayakawa et al.

(10) **Patent No.:** **US D566,504 S**

(45) **Date of Patent:** **** Apr. 15, 2008**

(54) **PORTABLE ELECTRIC JIG SAW**

(75) Inventors: **Naohiro Hayakawa**, Anjo (JP); **Goh Yamamura**, Anjo (JP)

(73) Assignee: **Makita Corporation**, Anjo-Shi (JP)

(**) Term: **14 Years**

(21) Appl. No.: **29/287,476**

(22) Filed: **Aug. 13, 2007**

(30) **Foreign Application Priority Data**

Jan. 19, 2007 (JP) 2007-009738

(51) **LOC (8) Cl.** **08-01**

(52) **U.S. Cl.** **D8/64**

(58) **Field of Classification Search** D8/61-70;
D15/133; D21/532; 30/166.3, 374, 375,
30/376, 377, 388, 390, 391, 392, 393, 394,
30/397; 83/397, 699.21; 409/180, 181,
409/182

See application file for complete search history.

(56) **References Cited**

U.S. PATENT DOCUMENTS

D339,276 S *	9/1993	Matsuoka et al.	D8/64
D404,274 S *	1/1999	Ogasawara et al.	D8/64
D409,467 S	5/1999	Chung	
D409,469 S *	5/1999	Niwa et al.	D8/69
D414,094 S *	9/1999	Heun	D8/64
D440,474 S *	4/2001	Heun	D8/64
D451,356 S *	12/2001	Pretzell	D8/64
D463,963 S *	10/2002	Metaxatos et al.	D8/64

D474,384 S *	5/2003	Andriolo	D8/64
D476,871 S *	7/2003	Santarsiero et al.	D8/64
D484,381 S *	12/2003	Yamada et al.	D8/64
D486,711 S *	2/2004	Tam et al.	D8/64
D519,804 S *	5/2006	Wu	D8/64
D521,335 S *	5/2006	Parel et al.	D8/64
D523,309 S *	6/2006	Schmid	D8/64
D525,097 S *	7/2006	Tsang et al.	D8/64
2002/0124419 A1 *	9/2002	Hirabayashi	30/329
2003/0167641 A1 *	9/2003	Teng	30/337
2003/0196338 A1 *	10/2003	Eto et al.	30/392

* cited by examiner

Primary Examiner—Cathron C. Brooks

Assistant Examiner—Austin Murphy

(74) *Attorney, Agent, or Firm*—Oliff & Berridge, PLC

(57) **CLAIM**

The ornamental design for a portable electric jig saw, as shown and described.

DESCRIPTION

FIG. 1 is a perspective view of top, front and left side of a portable electric jig saw showing our new design;

FIG. 2 is a front view thereof;

FIG. 3 is a rear view thereof;

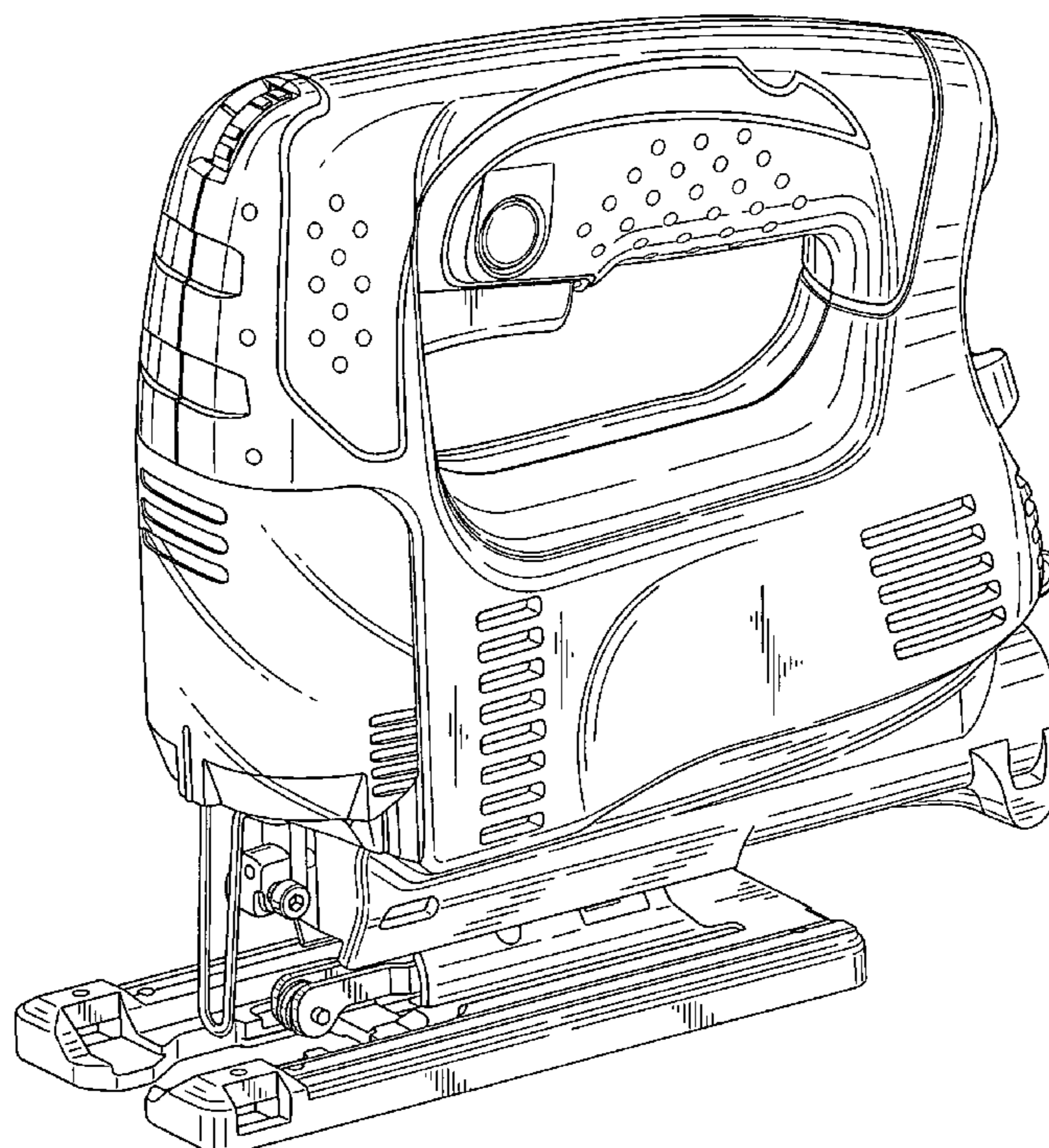
FIG. 4 is a top plan view thereof;

FIG. 5 is a bottom view thereof;

FIG. 6 is a left side view thereof; and,

FIG. 7 is a right side view thereof.

1 Claim, 5 Drawing Sheets



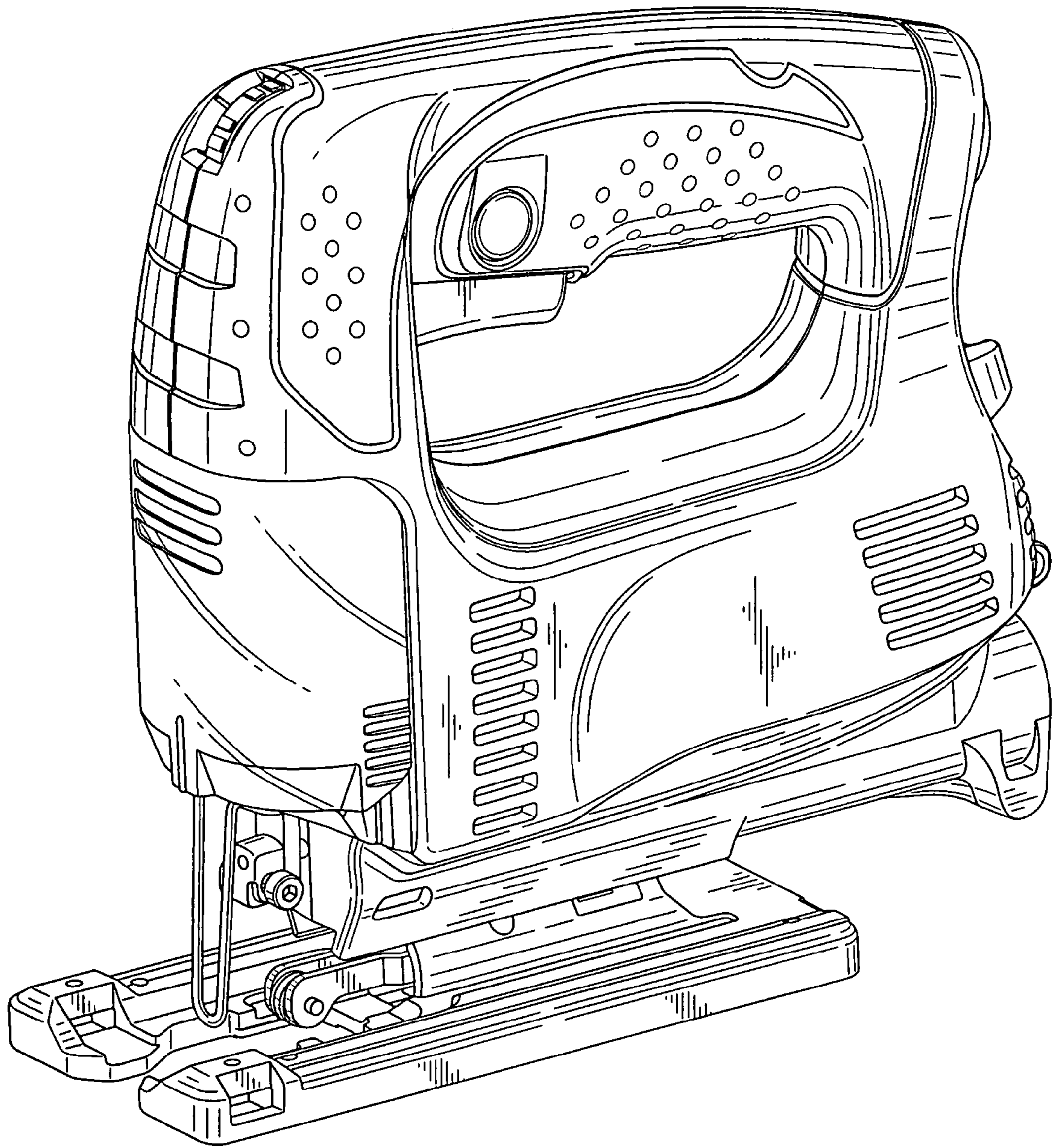


FIG. 1

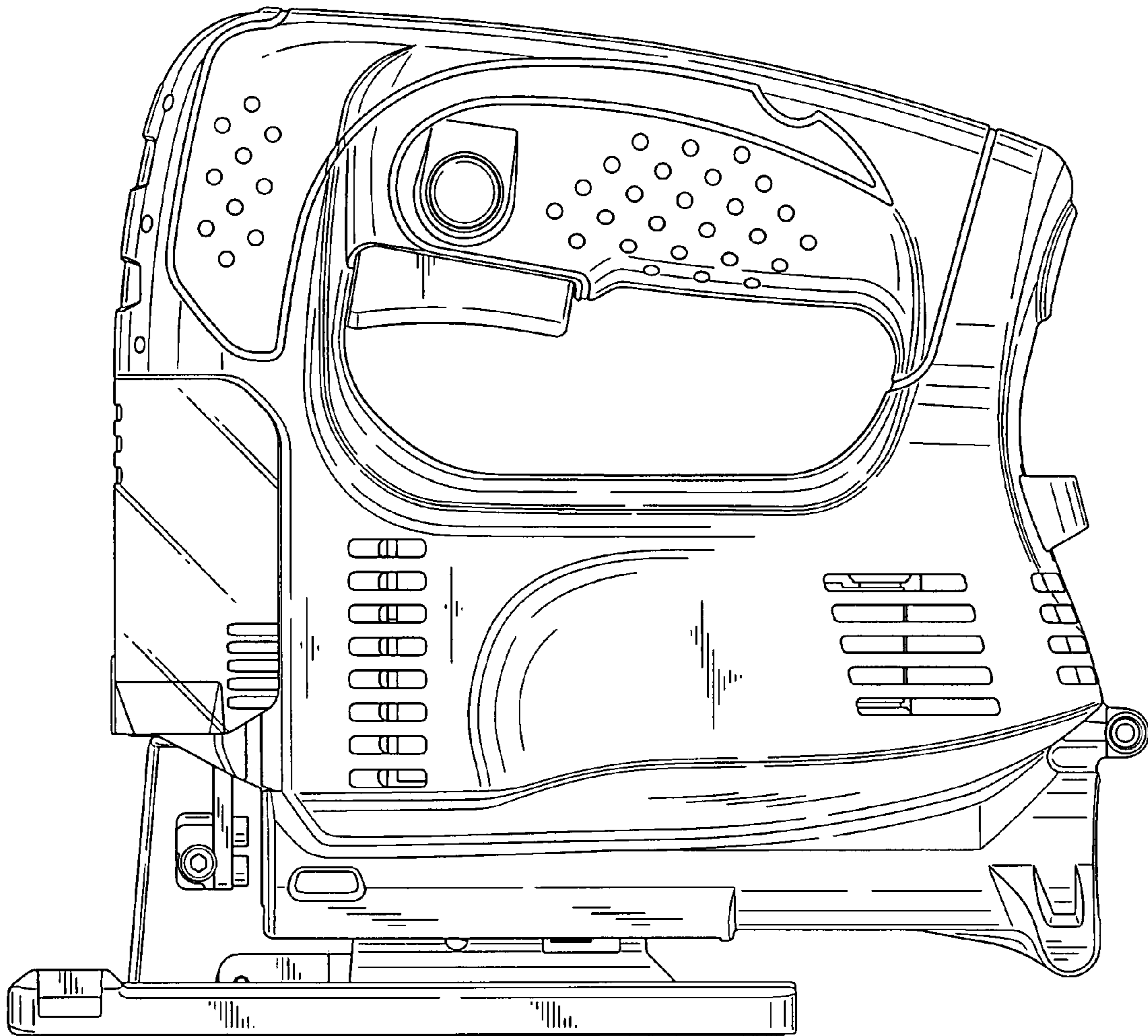


FIG. 2

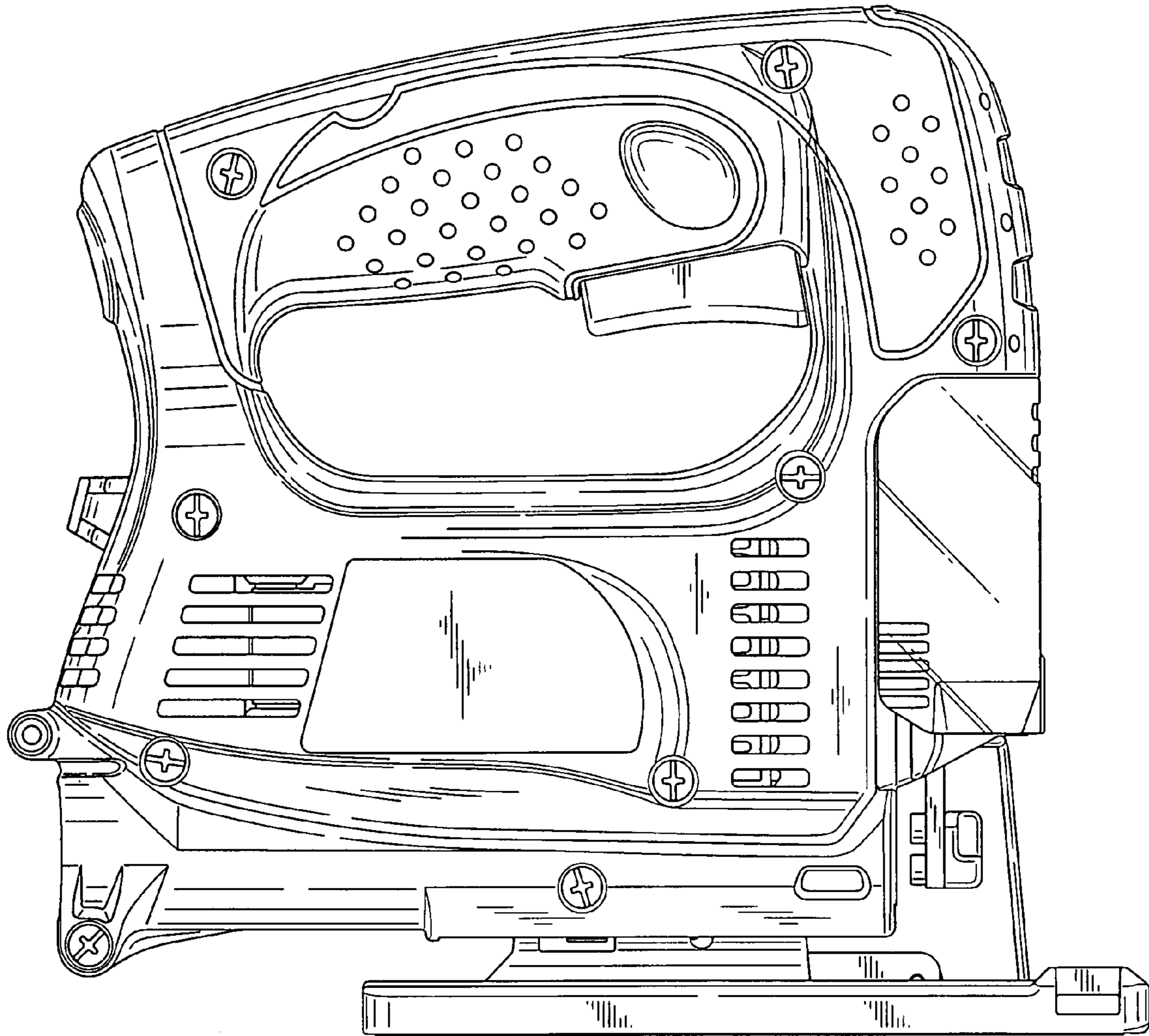


FIG. 3

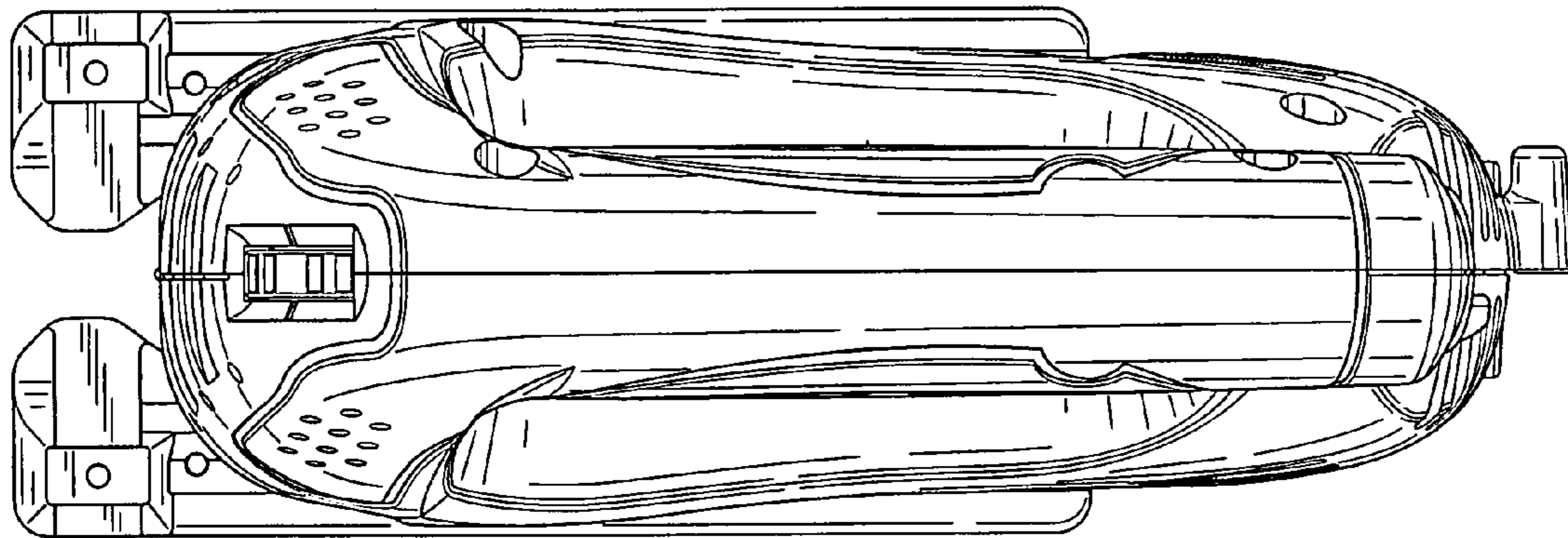


FIG. 4

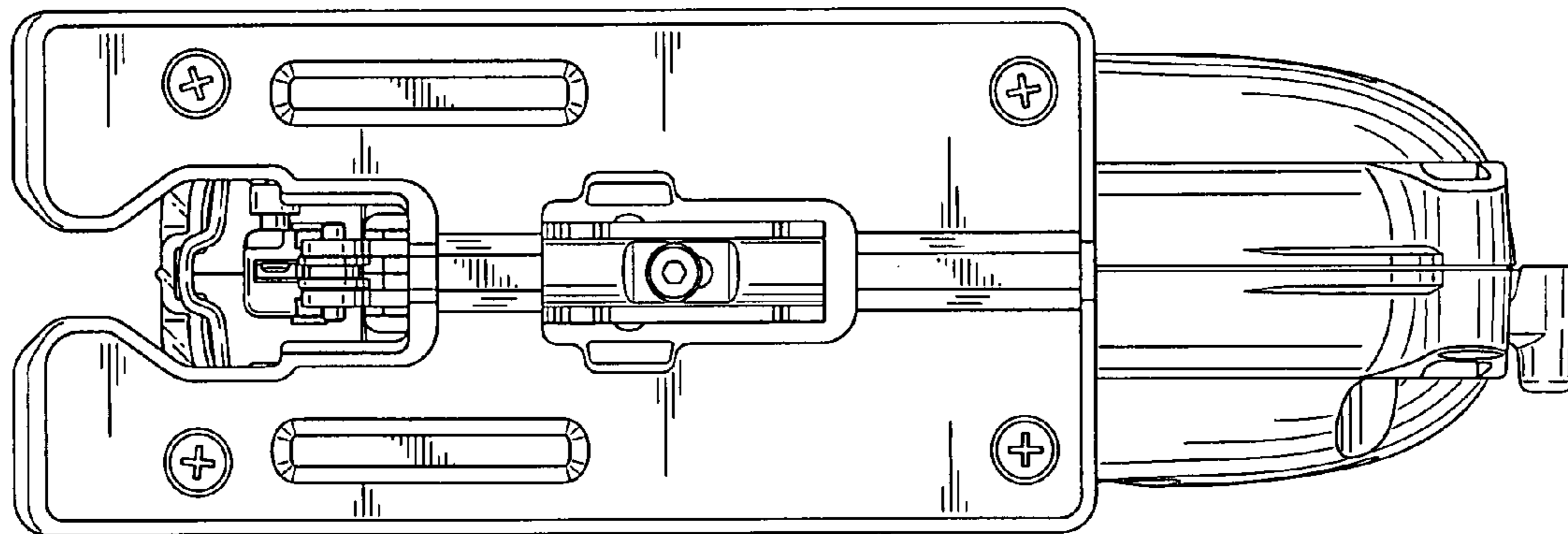


FIG. 5

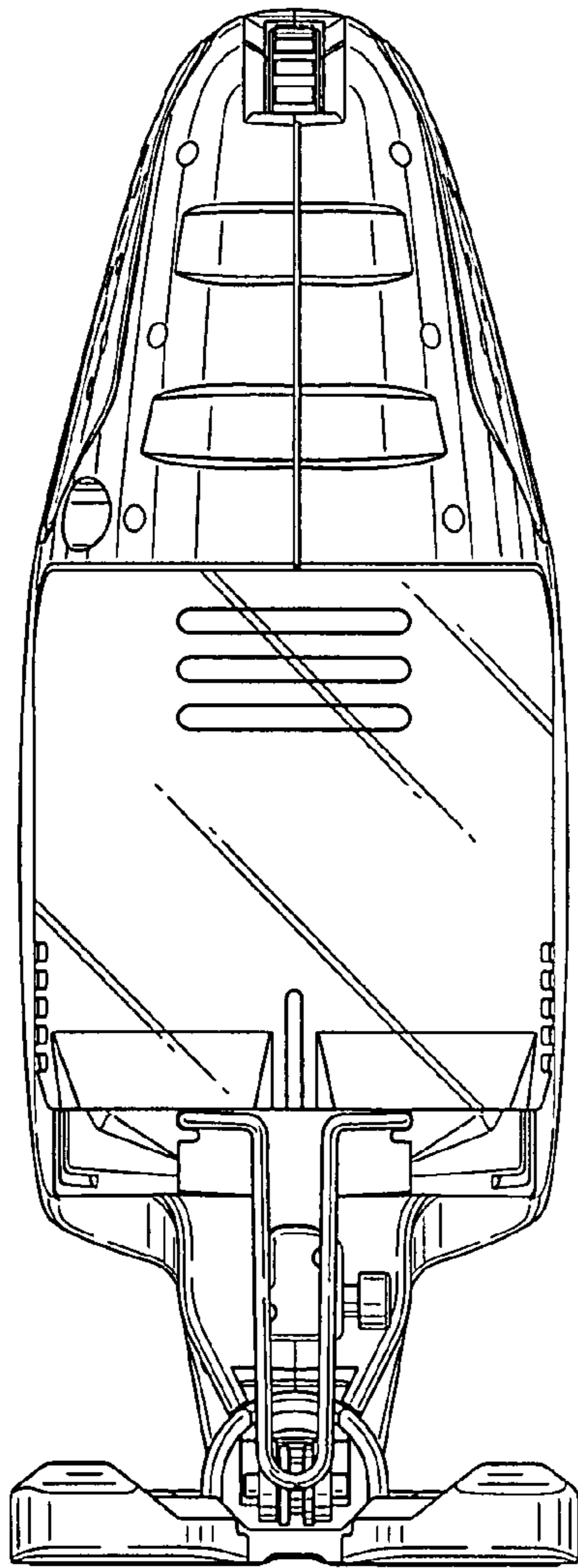


FIG. 6

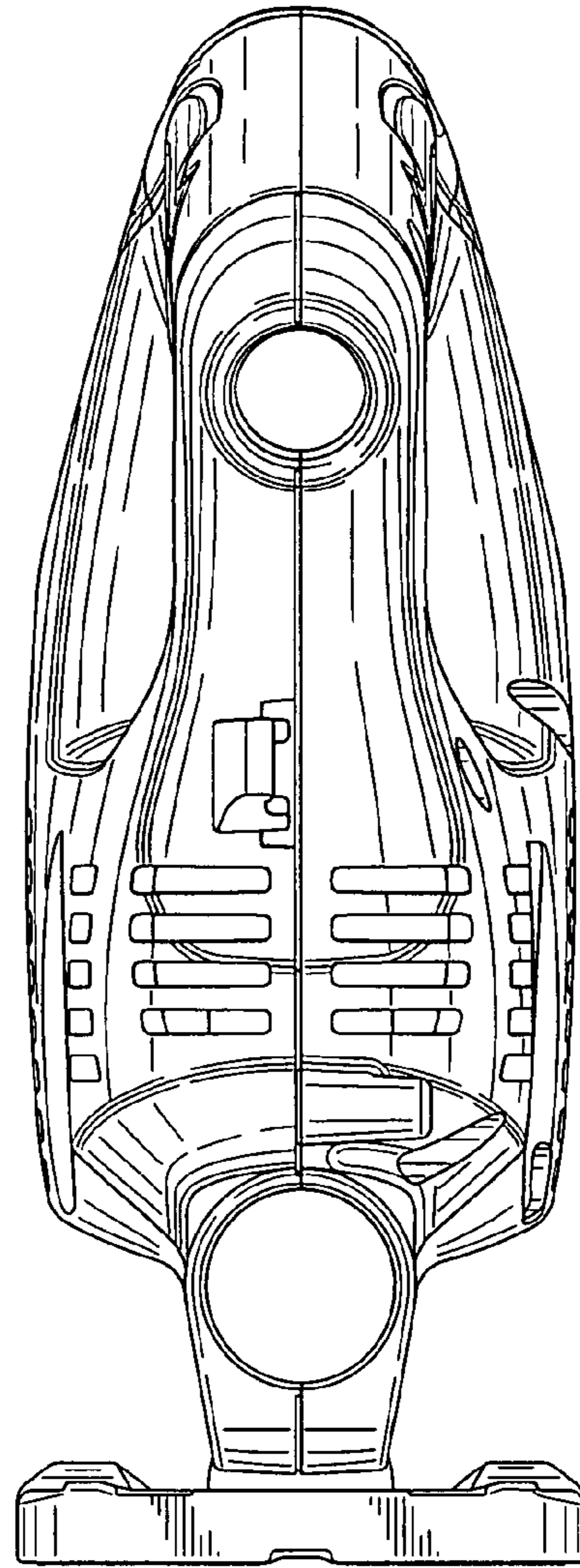


FIG. 7

UNITED STATES PATENT AND TRADEMARK OFFICE
CERTIFICATE OF CORRECTION

PATENT NO. : Des. 566,504 S
APPLICATION NO. : 29/287476
DATED : April 15, 2008
INVENTOR(S) : Hayakawa et al.

Page 1 of 1

It is certified that error appears in the above-identified patent and that said Letters Patent is hereby corrected as shown below:

On the title page item (30):

Replace:

Foreign Application Priority Data

Jan 19, 2007 [JP] 2007-009738

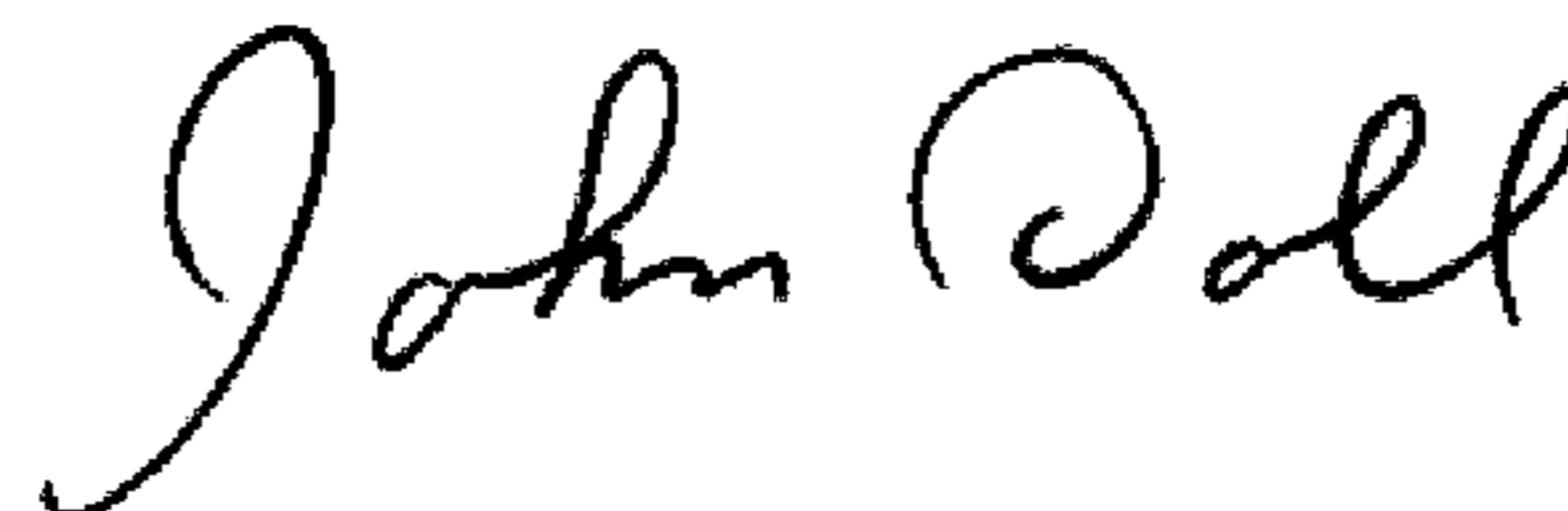
With:

Foreign Application Priority Data

April 12, 2007 [JP] 2007-009738

Signed and Sealed this

Twenty-eighth Day of April, 2009



JOHN DOLL
Acting Director of the United States Patent and Trademark Office