

US00D566503S

(12) **United States Design Patent**  
**Leasure**

(10) **Patent No.:** **US D566,503 S**

(45) **Date of Patent:** **\*\* Apr. 15, 2008**

- (54) **SANDER**
- (75) Inventor: **Jeremy D. Leasure**, Jackson, TN (US)
- (73) Assignee: **Black & Decker Inc.**, Newark, DE (US)
- (\*\*) Term: **14 Years**
- (21) Appl. No.: **29/288,466**
- (22) Filed: **Jun. 12, 2007**

D527,595 S	9/2006	Wikle	
D527,965 S	9/2006	Aglassinger	
D528,886 S	9/2006	Heun	
D536,942 S	2/2007	Cooper et al.	
D538,122 S	3/2007	Etter et al.	
7,198,559 B2	4/2007	Walstrum et al.	
D548,556 S	8/2007	Stratford	
2005/0003748 A1 *	1/2005	Dutterer et al. ....	451/357
2005/0245182 A1 *	11/2005	Deshpande et al. ....	451/357
2006/0175913 A1	8/2006	Hempe et al.	

- (51) **LOC (8) Cl.** ..... **08-01**
- (52) **U.S. Cl.** ..... **D8/62**
- (58) **Field of Classification Search** ..... D8/67,  
D8/62, 61; D32/15, 17, 19; D4/102; 451/456,  
451/451, 359, 358, 357, 356, 355, 354, 353,  
451/351, 344  
See application file for complete search history.

FOREIGN PATENT DOCUMENTS

DE	M 96 02 047	2/1996
DE	M 96 02 123	3/1996
DE	M 98 00 714	1/1998
DE	499 03 280	3/1999
DE	499 03 900	4/1999
DE	499 12 033	12/1999
DE	400 06 303	6/2000
DE	402 02 700	3/2002
DE	402 08 191	10/2002
DE	403 06 895	4/2004

(56) **References Cited**

U.S. PATENT DOCUMENTS

D286,736 S	11/1986	Somers	
D306,125 S	2/1990	Somers	
D317,244 S	6/1991	Bunyea	
D326,398 S *	5/1992	Fushiya et al. ....	D8/62
D345,089 S *	3/1994	Kikuchi et al. ....	D8/62
D353,984 S	1/1995	Izumisawa	
5,419,737 A	5/1995	Brazell et al.	
D380,950 S *	7/1997	Gildersleeve et al. ....	D8/62
D386,376 S *	11/1997	Kaneko et al. ....	D8/62
D392,861 S	3/1998	Gildersleeve et al.	
D414,666 S *	10/1999	Cortes .....	D8/62
D416,112 S	11/1999	Holliday et al.	
D468,178 S *	1/2003	Wright et al. ....	D8/62
D469,933 S *	2/2003	Liang-Ming .....	D32/15
D475,818 S *	6/2003	Krieger et al. ....	D32/15
D478,488 S *	8/2003	Bruno et al. ....	D8/62
D488,365 S	4/2004	Liu	
D497,090 S *	10/2004	Wacker et al. ....	D8/62
D509,417 S	9/2005	Wikle et al.	
D509,722 S	9/2005	Wikle et al.	
D510,849 S *	10/2005	Carlson et al. ....	D8/62
7,064,462 B2	6/2006	Hempe et al.	
D526,870 S	8/2006	Wikle	
D527,594 S	9/2006	Wikle	

\* cited by examiner

*Primary Examiner*—Cathron C. Brooks

*Assistant Examiner*—Austin Murphy

(74) *Attorney, Agent, or Firm*—Scott B. Markow; Adan Ayala

(57) **CLAIM**

The ornamental design for a sander, as shown and described.

**DESCRIPTION**

FIG. 1 is a perspective view of a sander.

FIG. 2 is a front view thereof.

FIG. 3 is a rear view thereof.

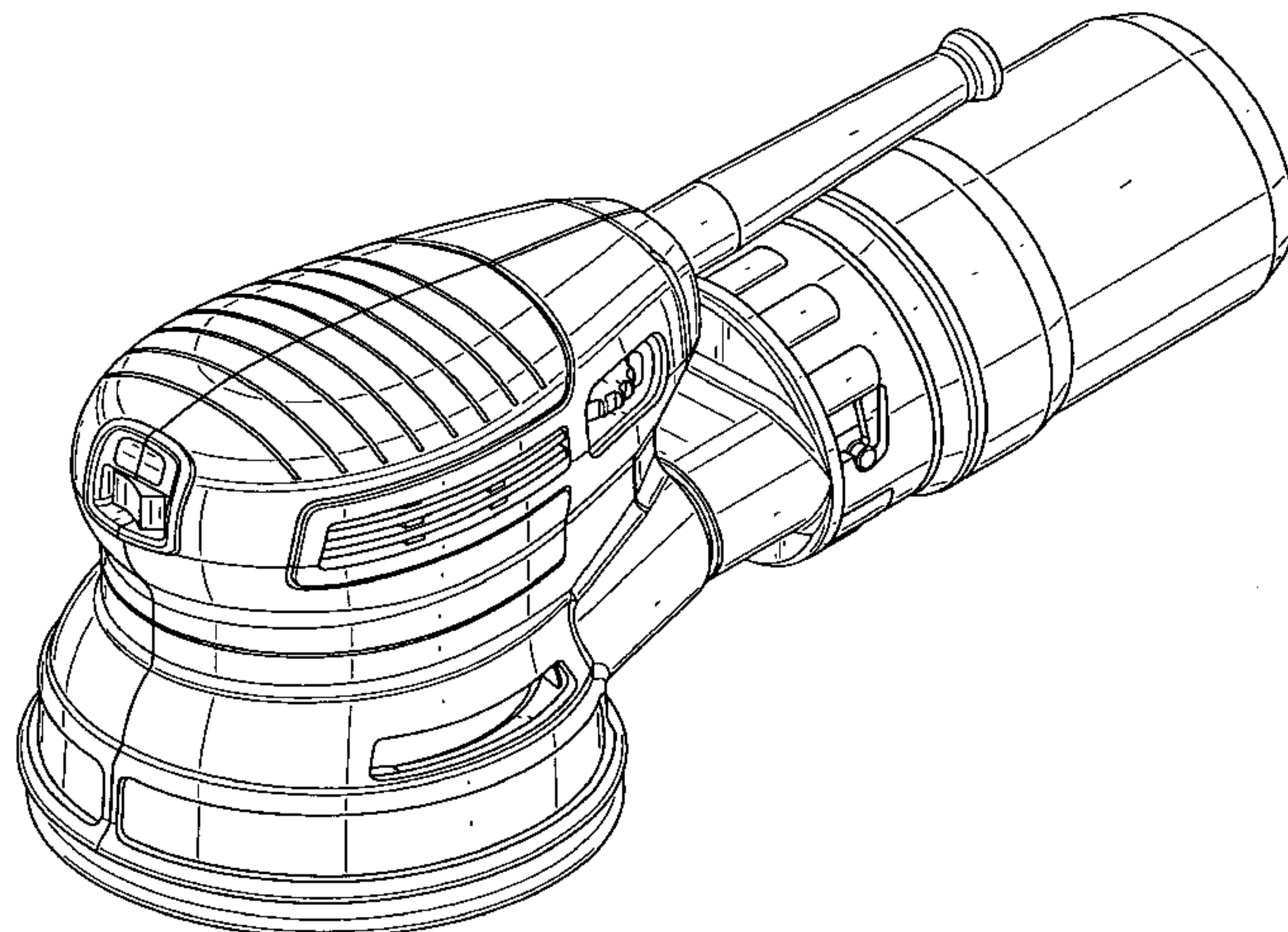
FIG. 4 is a left side view thereof.

FIG. 5 is a right side view thereof.

FIG. 6 is top view thereof; and,

FIG. 7 is a bottom view thereof.

**1 Claim, 6 Drawing Sheets**



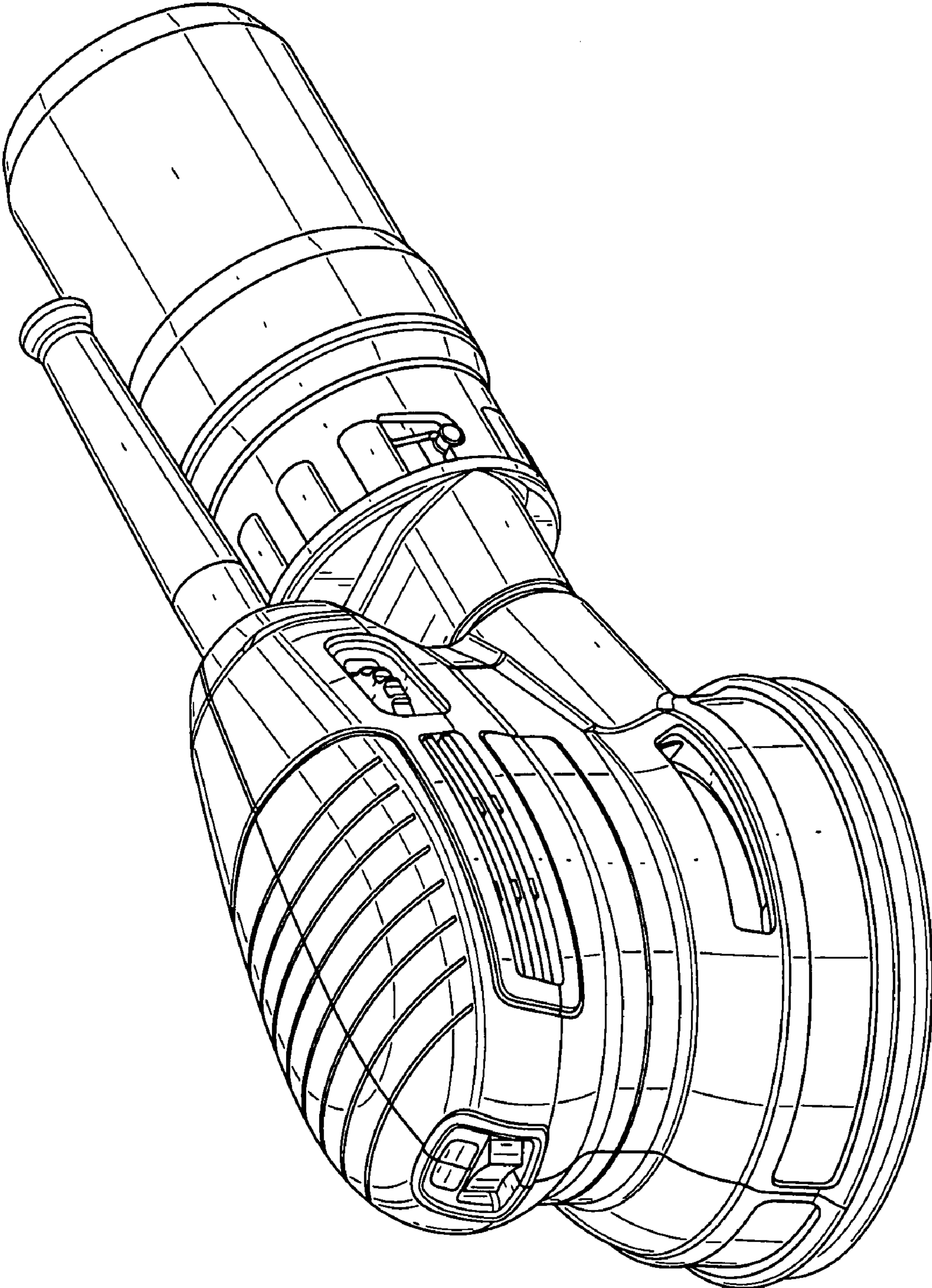


FIG. 1

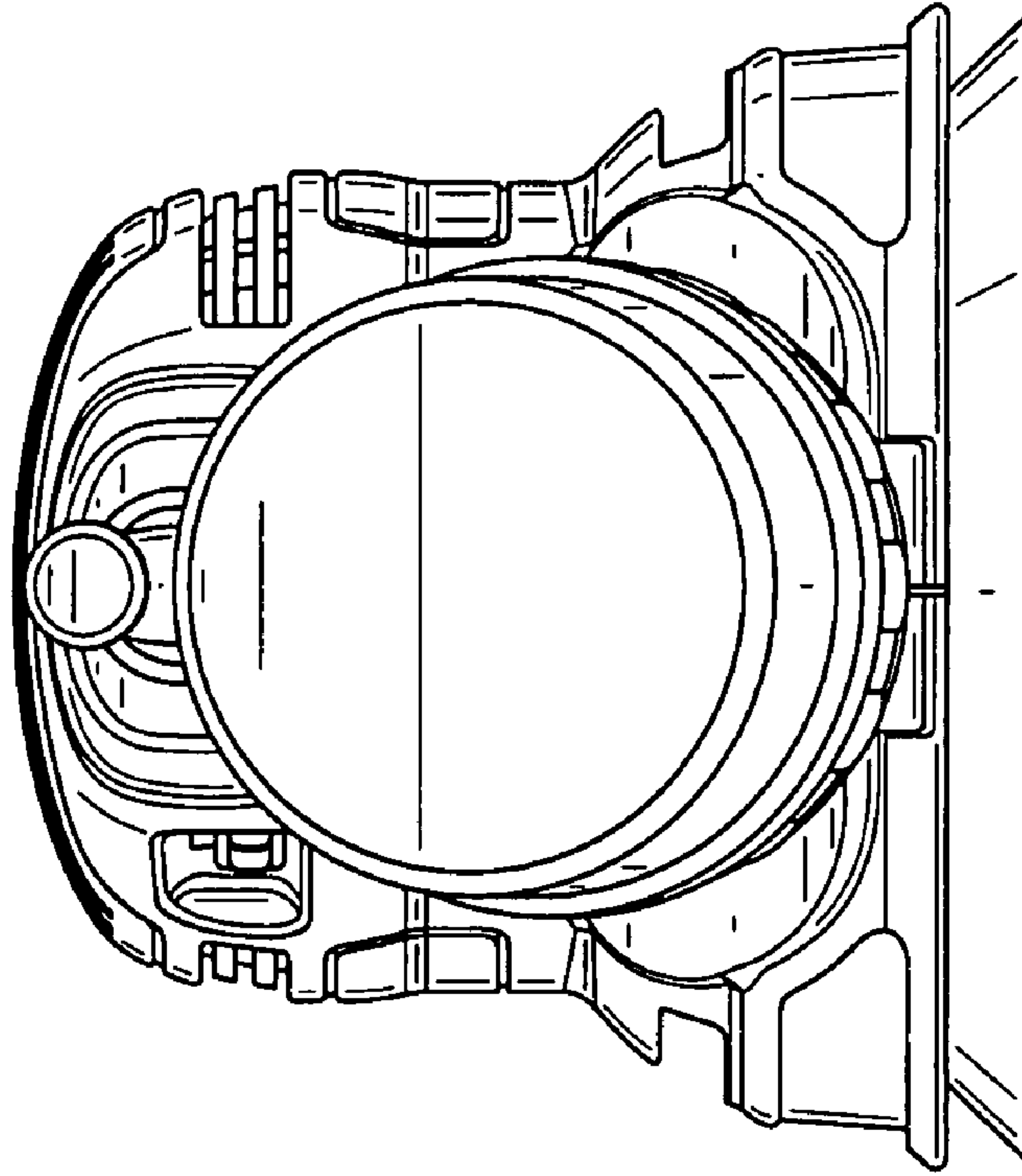


FIG. 3

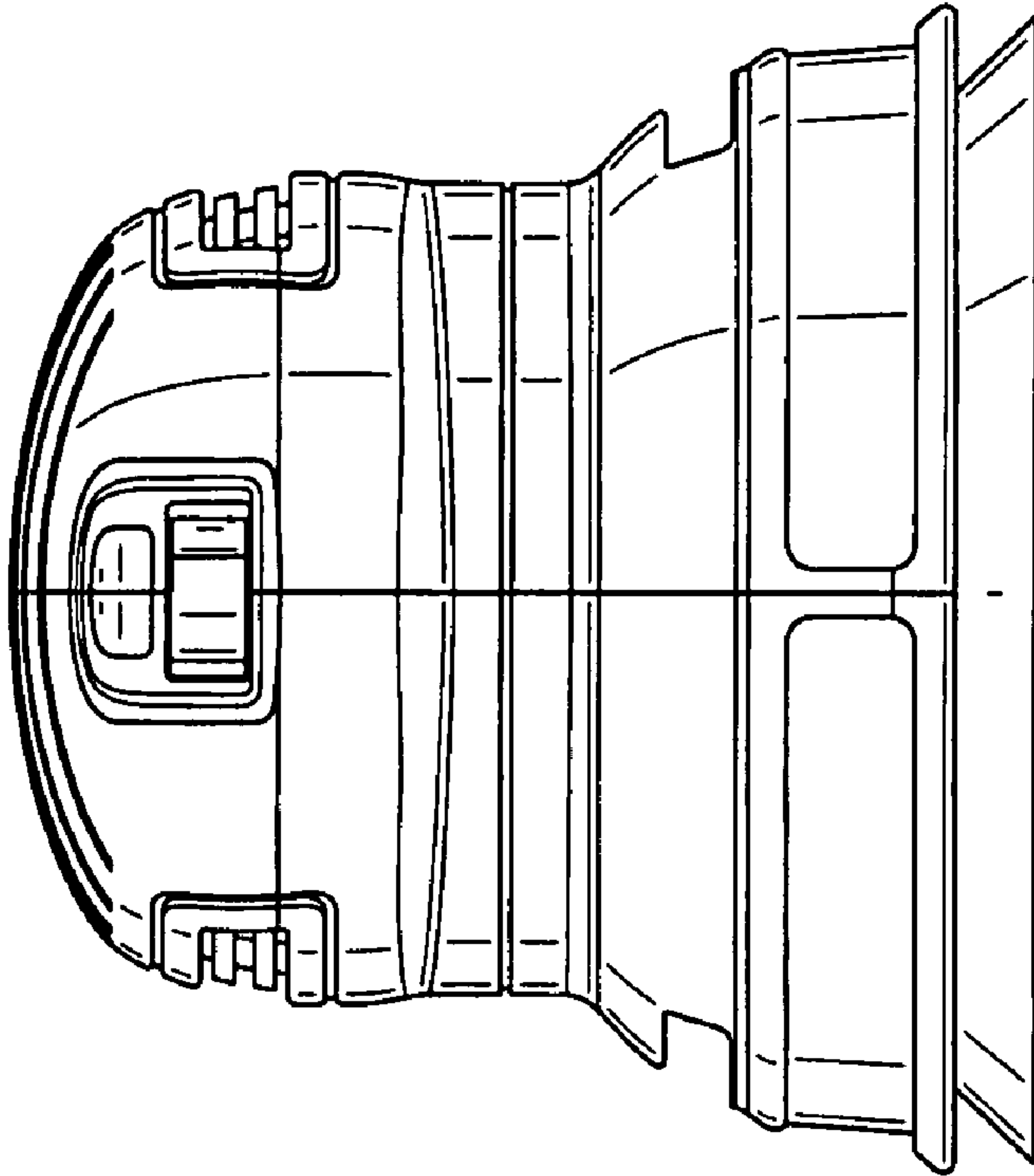


FIG. 2



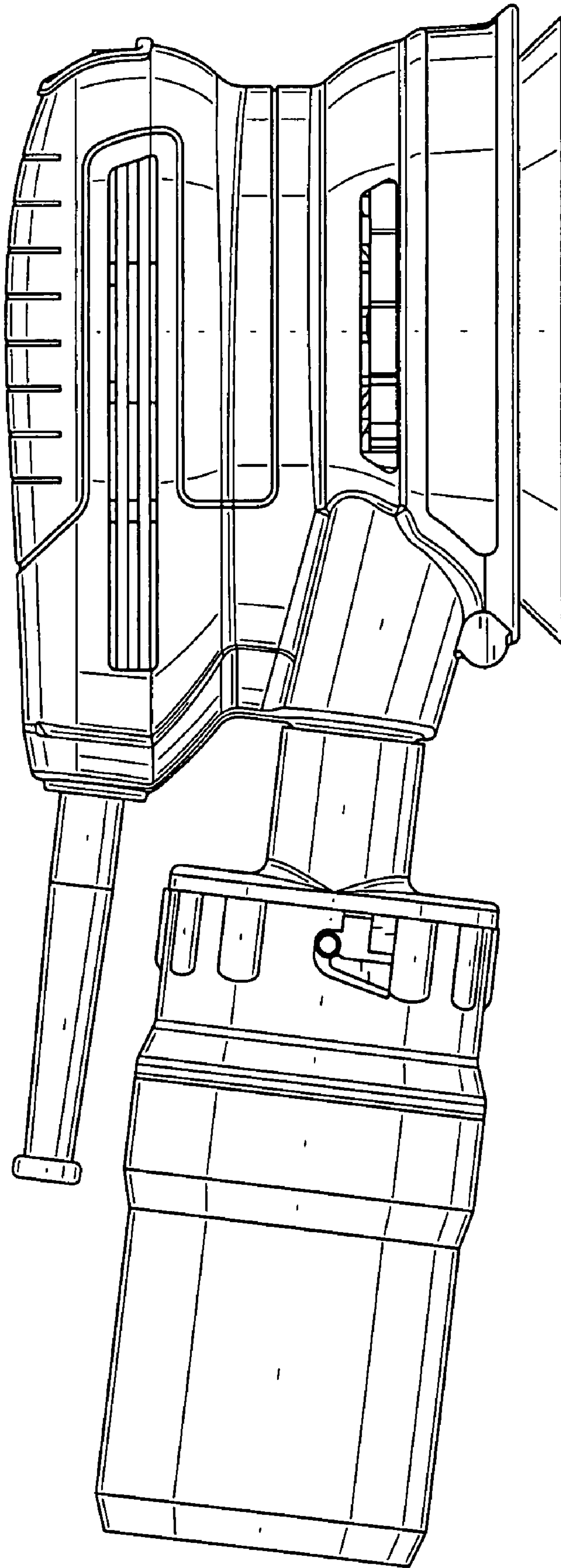


FIG. 4

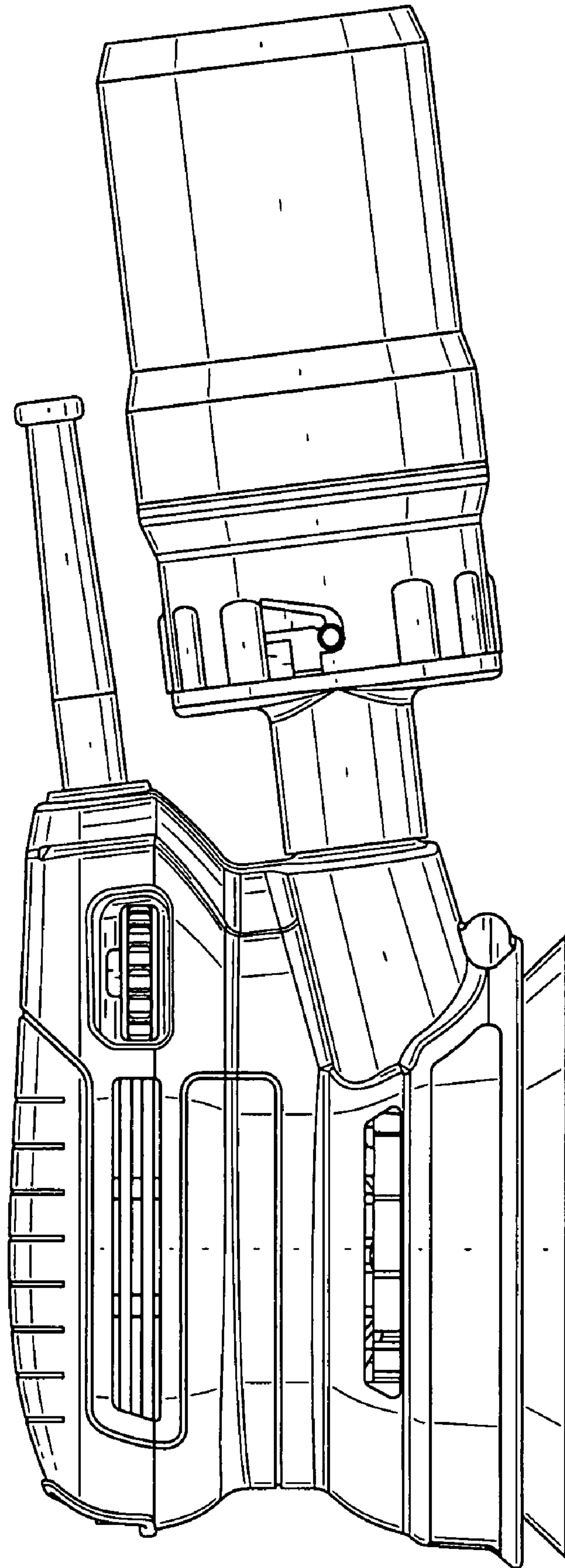


FIG. 5

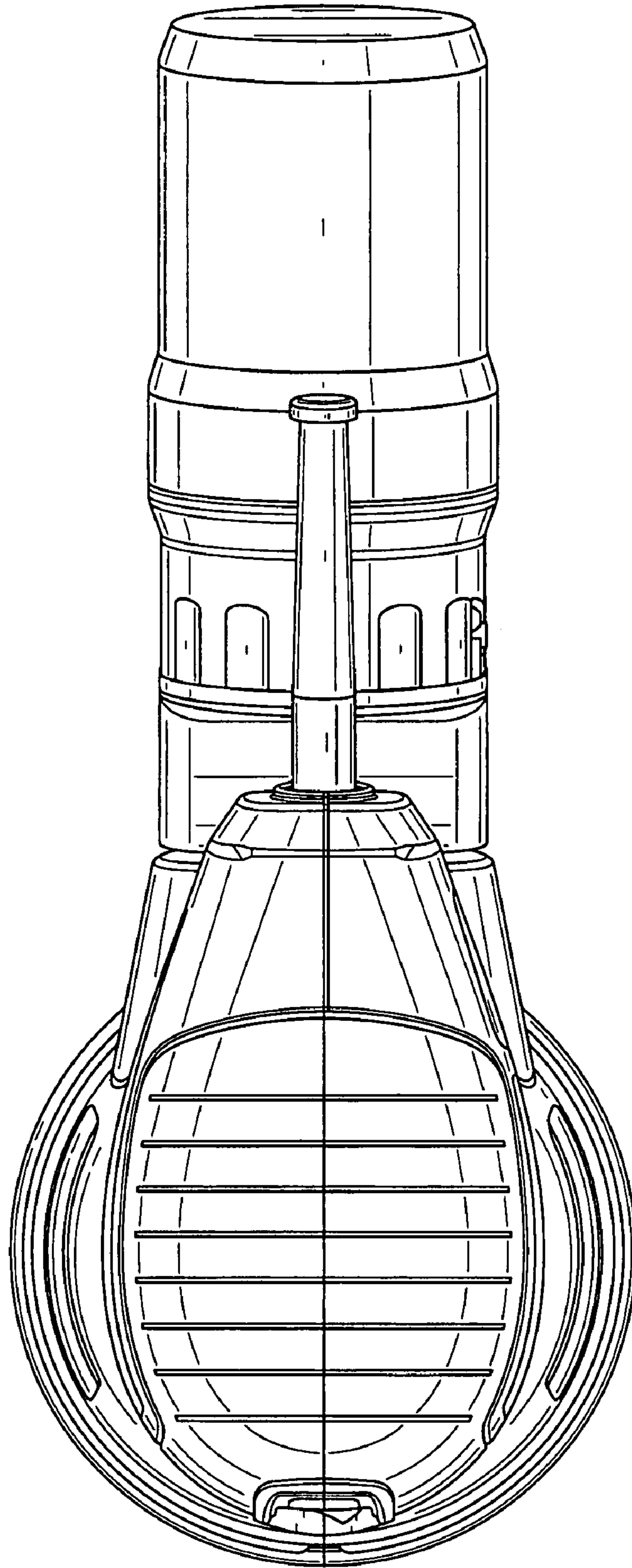


FIG. 6

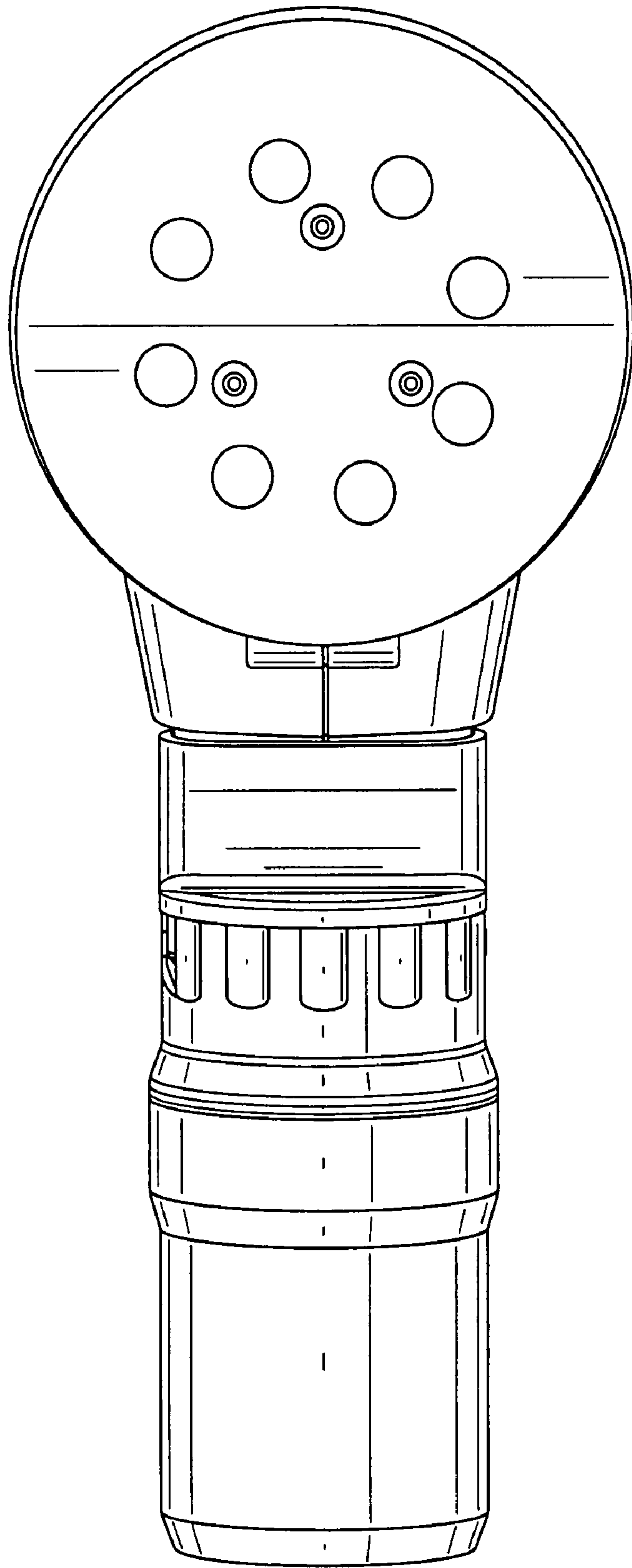


FIG. 7