



US00D566502S

(12) **United States Design Patent**
Chen

(10) **Patent No.: US D566,502 S**

(45) **Date of Patent: ** *Apr. 15, 2008**

(54) **PNEUMATIC GRINDER**

(75) Inventor: **Lung-Pao Chen**, Hsinchu County (TW)

(73) Assignee: **Sunmatch Industrial Co., Ltd.**, Zhubei (TW)

(*) Notice: This patent is subject to a terminal disclaimer.

(**) Term: **14 Years**

(21) Appl. No.: **29/274,140**

(22) Filed: **Mar. 30, 2007**

(51) **LOC (8) Cl.** **08-01**

(52) **U.S. Cl.** **D8/62**

(58) **Field of Classification Search** D8/69,
D8/67, 62, 61; 451/359, 358, 357, 356, 354,
451/353, 351, 344, 294; 173/168
See application file for complete search history.

(56) **References Cited**

U.S. PATENT DOCUMENTS

| | | | | |
|--------------|---------|------------|-------|-------|
| D332,560 S * | 1/1993 | Mikiya | | D8/62 |
| D411,424 S * | 6/1999 | Saito | | D8/62 |
| D447,029 S * | 8/2001 | Sun et al. | | D8/61 |
| D465,395 S * | 11/2002 | Hung | | D8/61 |
| D492,176 S * | 6/2004 | Chen | | D8/61 |
| D521,334 S * | 5/2006 | Chen | | D8/62 |
| D521,832 S * | 5/2006 | Chen | | D8/62 |
| D522,333 S * | 6/2006 | Chen | | D8/62 |
| D523,716 S * | 6/2006 | Chen | | D8/62 |
| D525,498 S * | 7/2006 | Chen | | D8/61 |
| D525,501 S * | 7/2006 | Chen | | D8/61 |

| | | | | |
|-------------------|---------|--------|-------|---------|
| D525,502 S * | 7/2006 | Chen | | D8/61 |
| 7,115,028 B1 * | 10/2006 | Chen | | 451/360 |
| D534,777 S * | 1/2007 | Miller | | D8/61 |
| 2006/0240752 A1 * | 10/2006 | Chen | | 451/360 |
| 2007/0056758 A1 * | 3/2007 | Chen | | 173/169 |
| 2007/0117499 A1 * | 5/2007 | Chen | | 451/451 |

* cited by examiner

Primary Examiner—Cathron C. Brooks

Assistant Examiner—Austin Murphy

(74) *Attorney, Agent, or Firm*—Birch, Stewart, Kolasch & Birch, LLP

(57) **CLAIM**

The ornamental design for “a pneumatic grinder,” as shown and described.

DESCRIPTION

FIG. 1 is a perspective view of “a pneumatic grinder” showing my new design thereof;

FIG. 2 is a right side elevational view thereof;

FIG. 3 is a top plan view thereof;

FIG. 4 is a front side elevational view thereof;

FIG. 5 is a bottom plan view thereof.

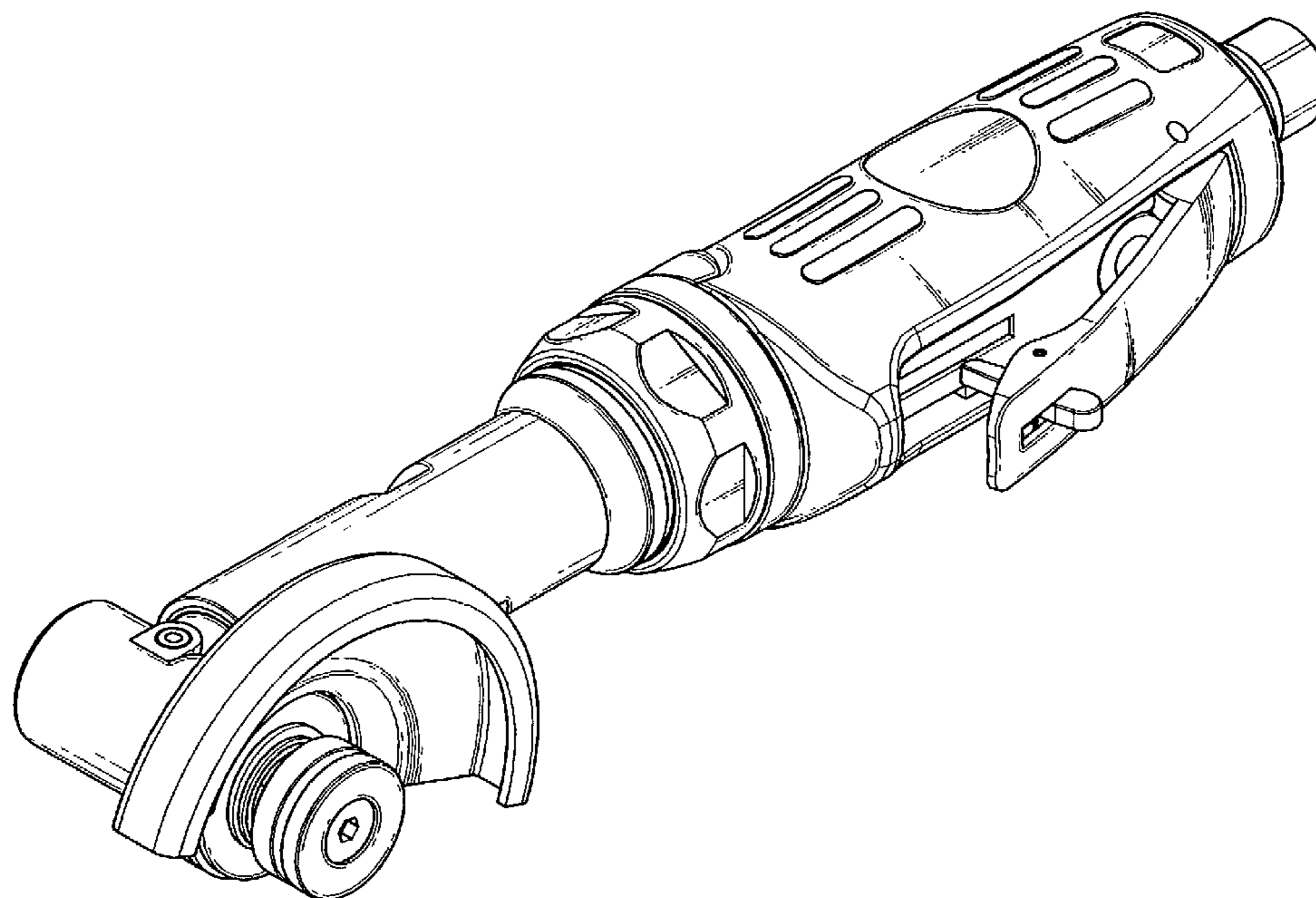
FIG. 6 is a left side elevational view thereof;

FIG. 7 is a rear side elevational view thereof; and,

FIG. 8 is a perspective view in use.

The broken lines shown in the drawings form no part of the claimed design.

1 Claim, 8 Drawing Sheets



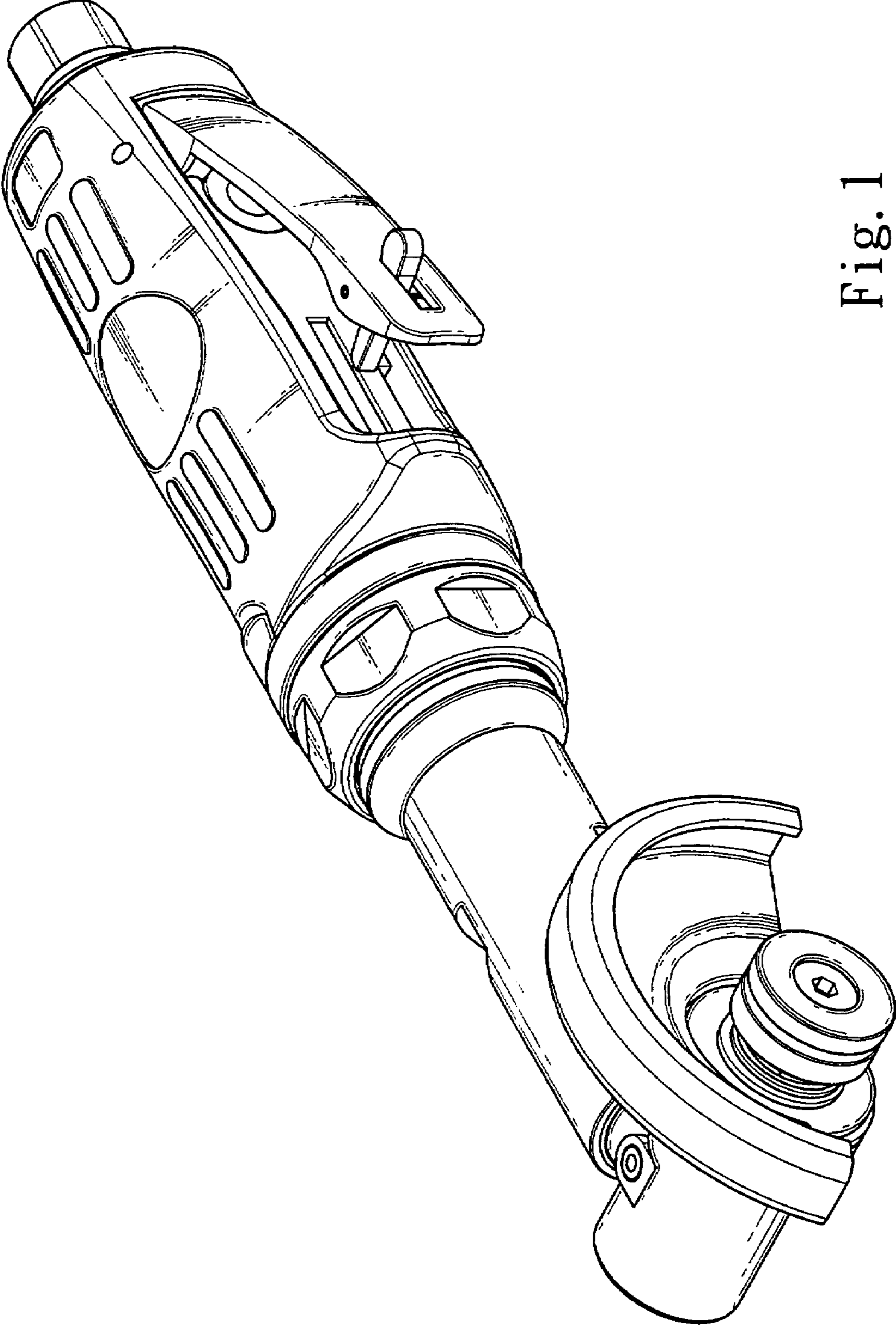


Fig. 1

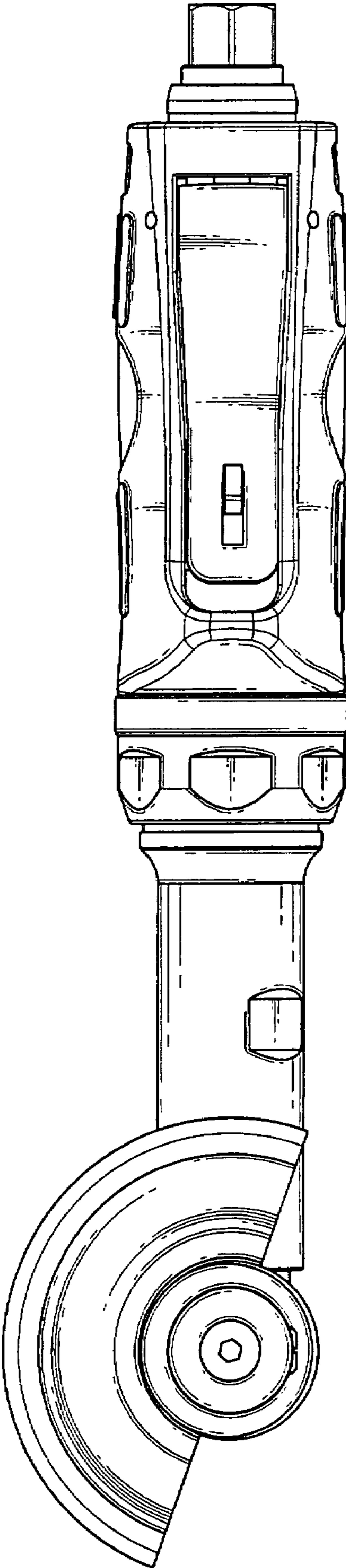


Fig. 2

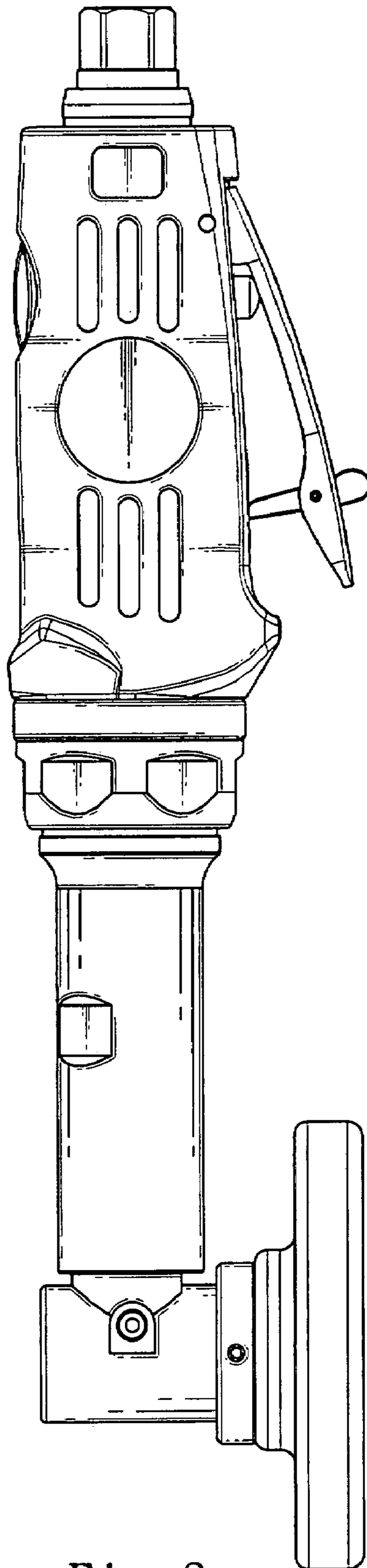


Fig. 3

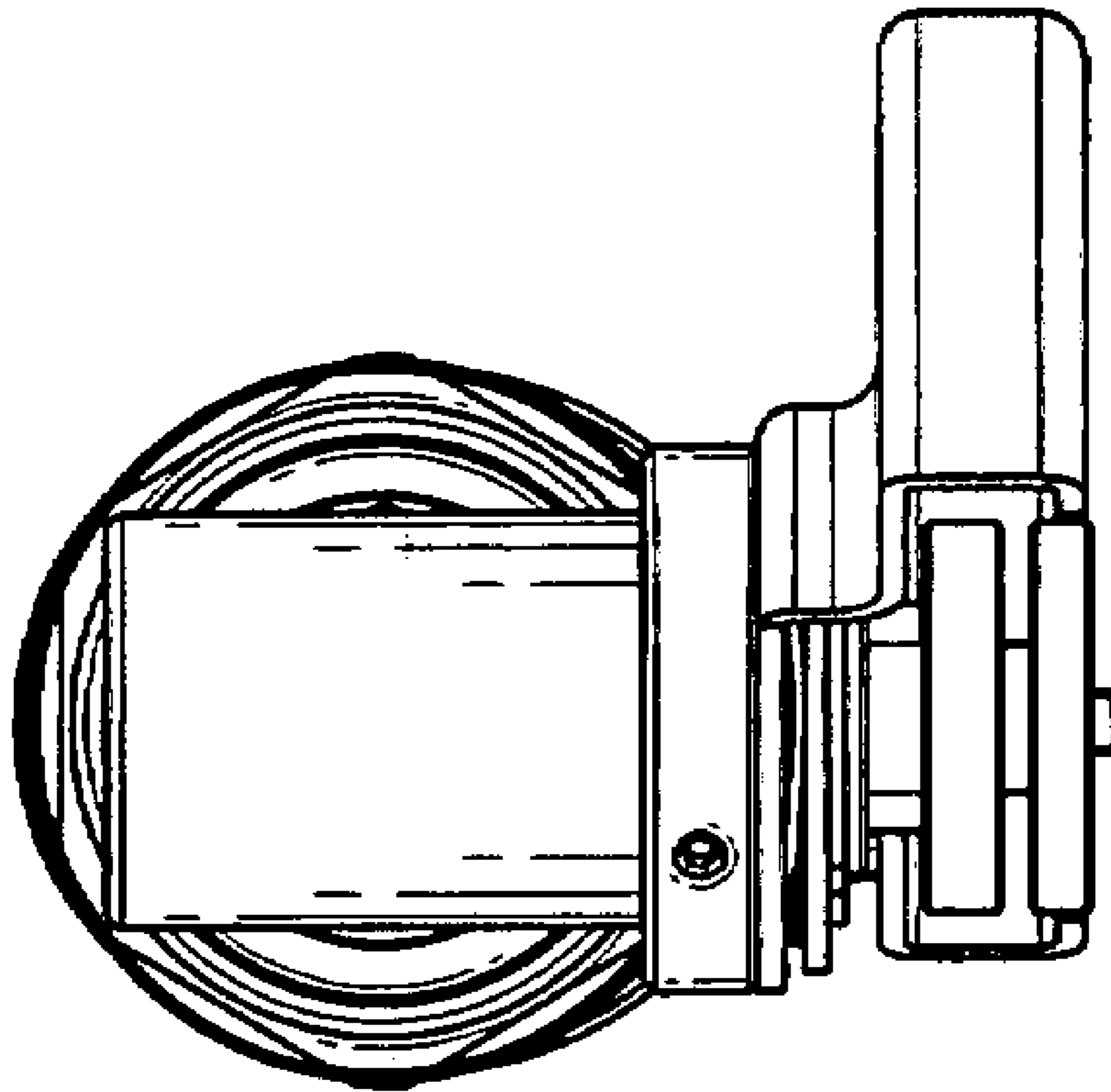


Fig. 4

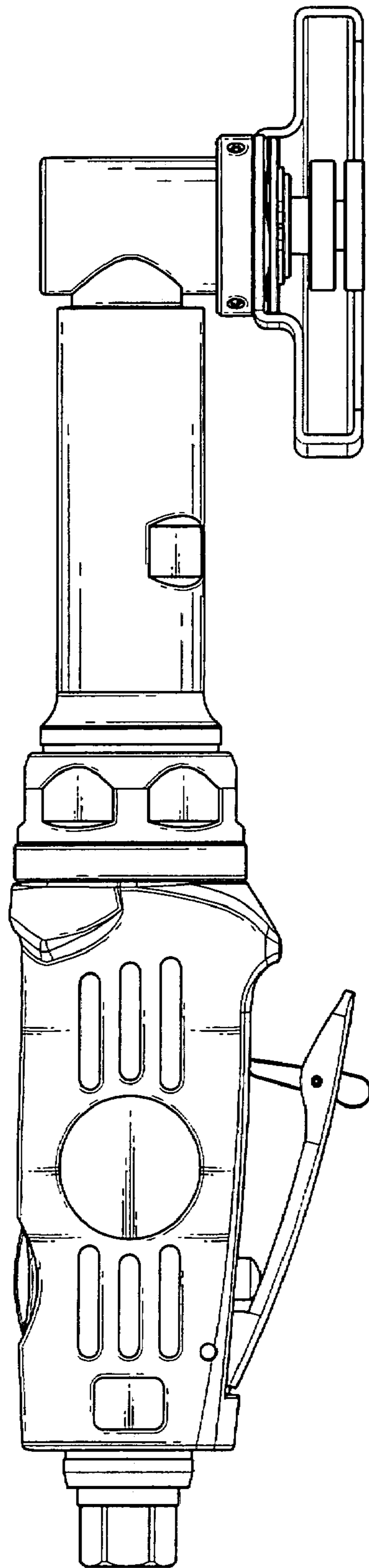


Fig. 5

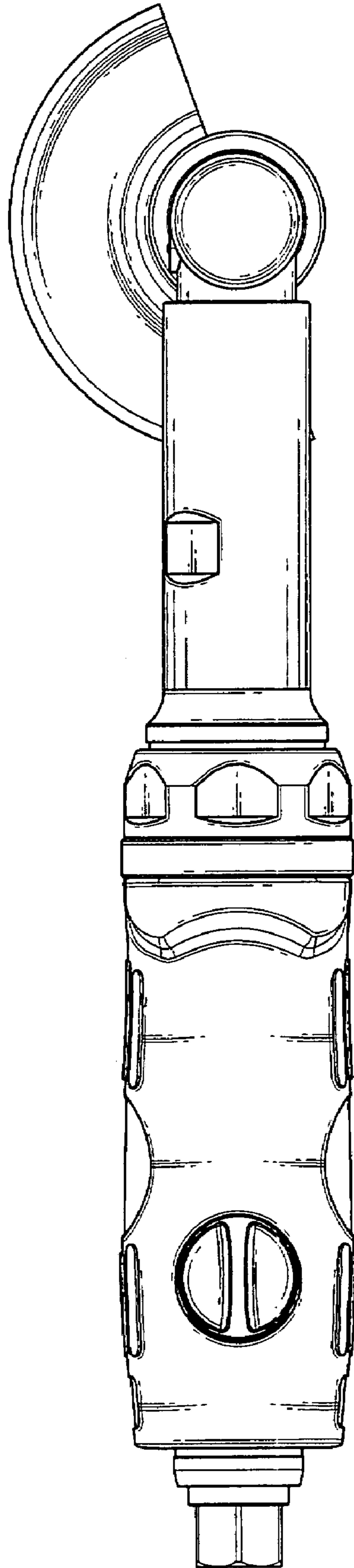


Fig. 6

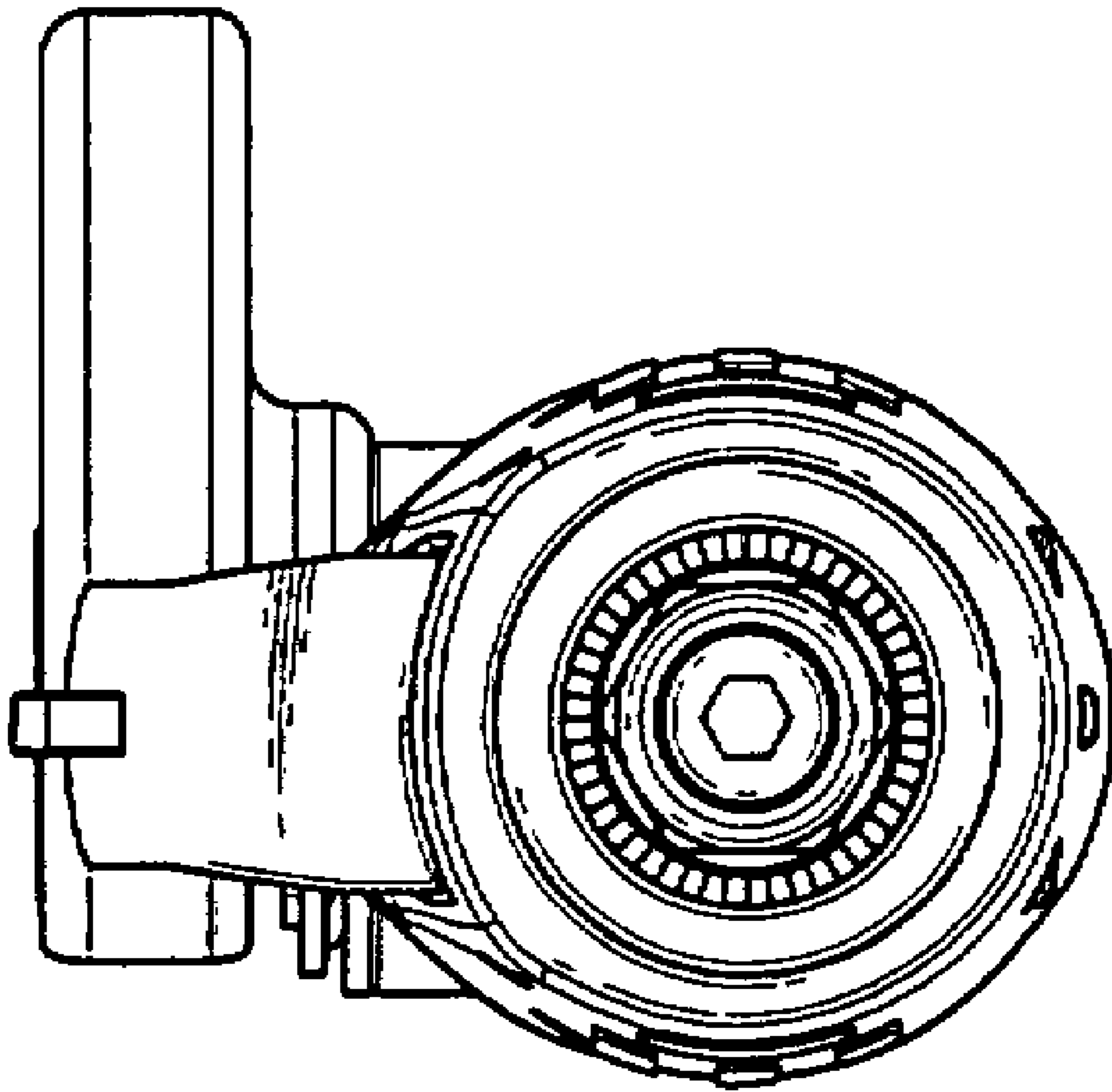


Fig. 7

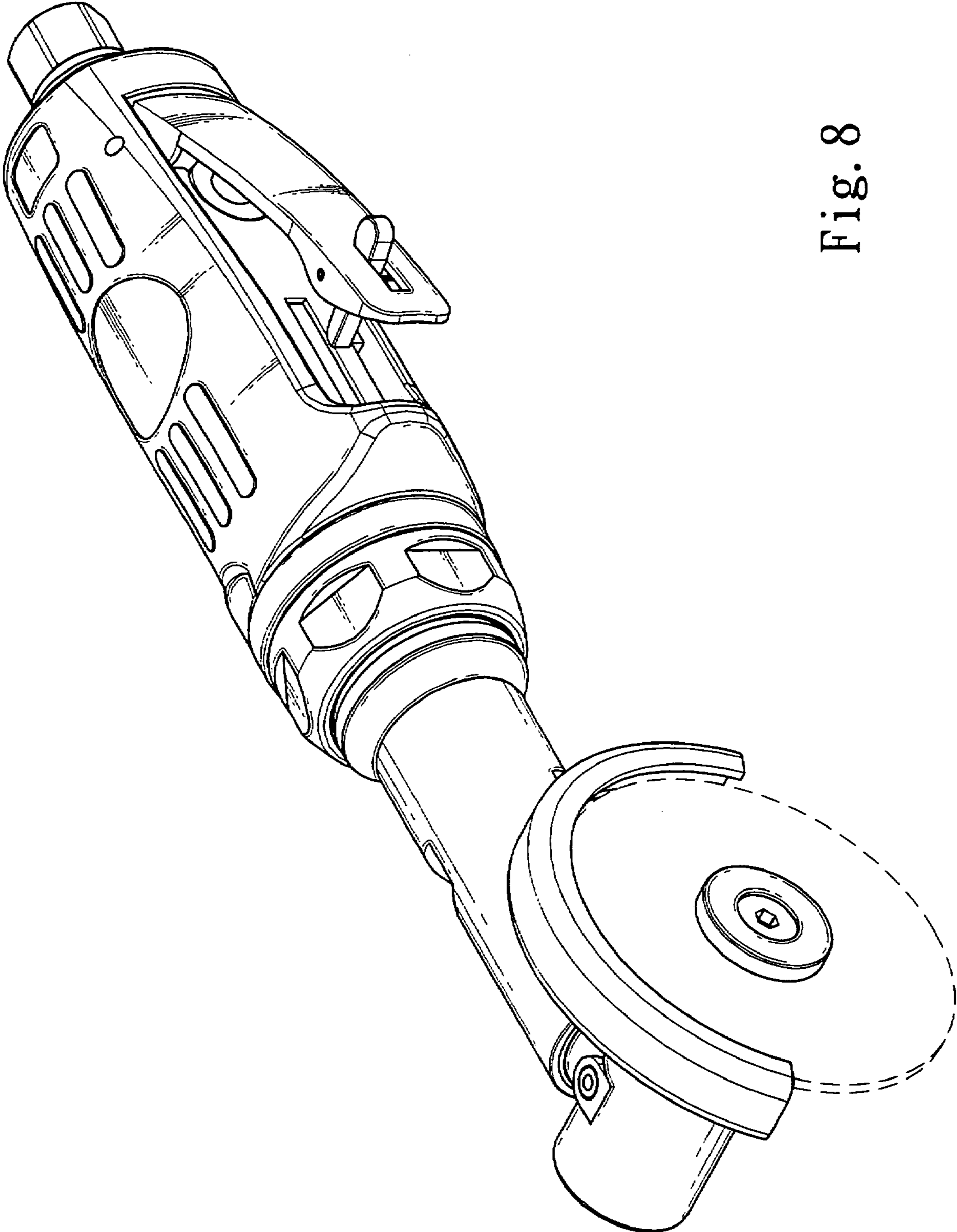


Fig. 8