

US00D566501S

(12) **United States Design Patent**
De Stefano

(10) **Patent No.:** **US D566,501 S**

(45) **Date of Patent:** **** Apr. 15, 2008**

(54) **SCISSORS**

(76) **Inventor:** **Allesandro De Stefano**, via S.
Marciano 9, Venafro (IT) I-66079

(**) **Term:** **14 Years**

(21) **Appl. No.:** **29/267,059**

(22) **Filed:** **Oct. 4, 2006**

(30) **Foreign Application Priority Data**

Apr. 5, 2006 (EM) 000508288-0001

(51) **LOC (8) Cl.** **08-03**

(52) **U.S. Cl.** **D8/57**

(58) **Field of Classification Search** D8/5,
D8/14, 51, 52, 53, 57, 98, 105, 107; D3/18;
D24/148; D28/9, 56, 57, 60; 30/28, 29,
30/175, 194-196, 231, 232, 234, 237, 239,
30/244, 248, 249, 254, 257, 258, 278, 340-344;
606/174

See application file for complete search history.

(56) **References Cited**

U.S. PATENT DOCUMENTS

154,637 A * 9/1874 Breeden 30/262
D101,791 S * 11/1936 Rauh D8/57
2,217,726 A * 10/1940 Brison 30/341
2,343,527 A * 3/1944 Boyle 30/256

2,758,371 A * 8/1956 Marchesani 30/195
D236,681 S * 9/1975 Megna D8/57
D239,910 S * 5/1976 Megna D8/57
D513,577 S * 1/2006 McLean et al. D8/57

* cited by examiner

Primary Examiner—Cathron Brooks

Assistant Examiner—Deanna Fluegeman

(74) *Attorney, Agent, or Firm*—Ohlandt, Greeley, Ruggiero
& Perle, L.L.P.

(57) **CLAIM**

The ornamental design for scissors, as shown and described.

DESCRIPTION

FIG. 1 is a front elevational view of a scissors according to the present invention;

FIG. 2 is a perspective view, of the scissors of FIG. 1;

FIG. 3 is a front elevational view of the scissors of FIG. 1, the scissors in an open configuration;

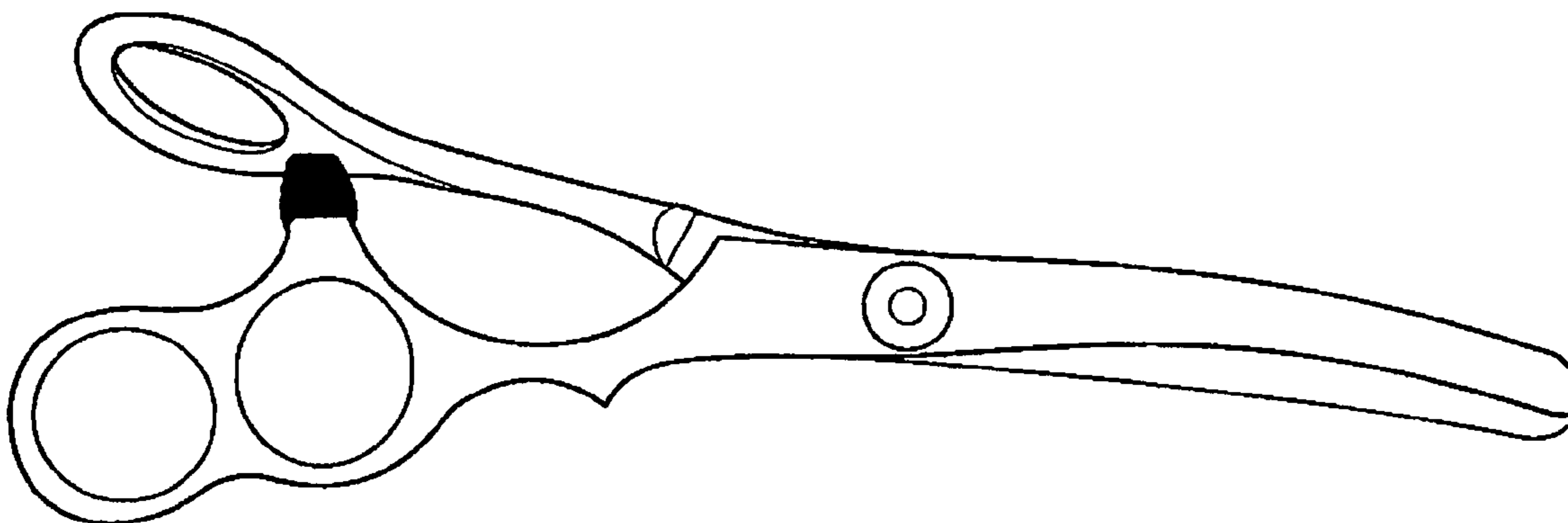
FIG. 4 is a perspective view of the scissors of FIG. 1, the scissors in an open configuration;

FIG. 5 is a rear elevation view of the scissors of FIG. 1.;

FIG. 6 is a rear elevation view of the scissors of FIG. 5, rotated about 90 degrees; and,

FIG. 7 is a bottom view of the scissors of FIG. 1.

1 Claim, 7 Drawing Sheets



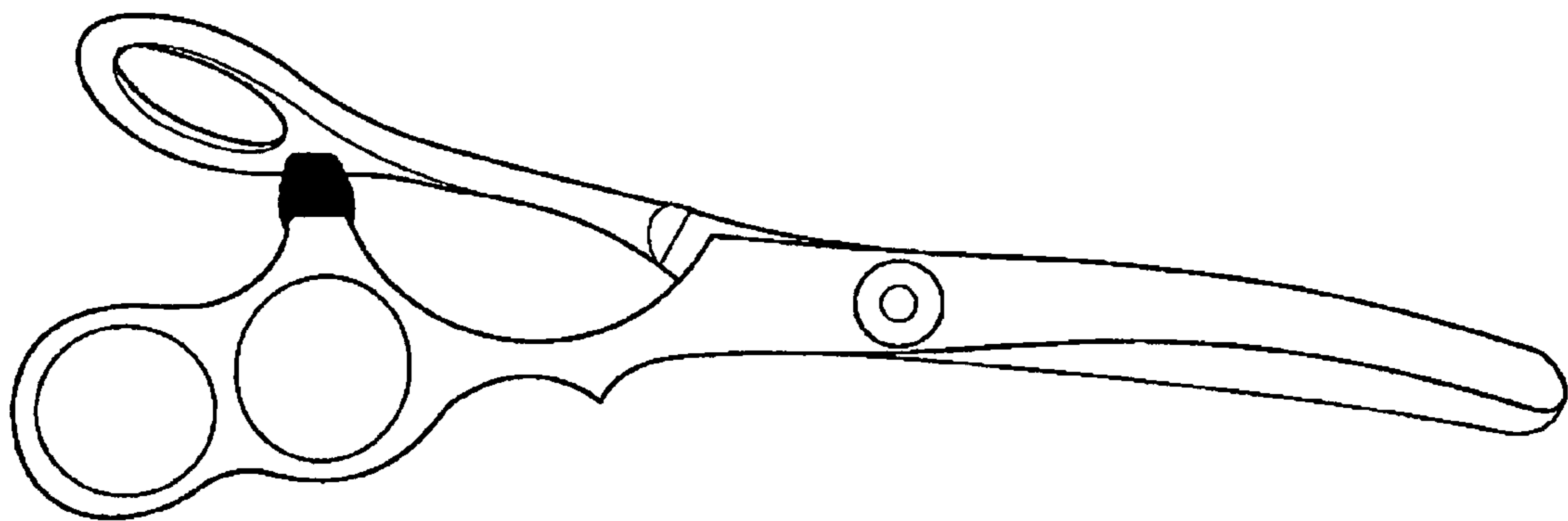


FIG. 1

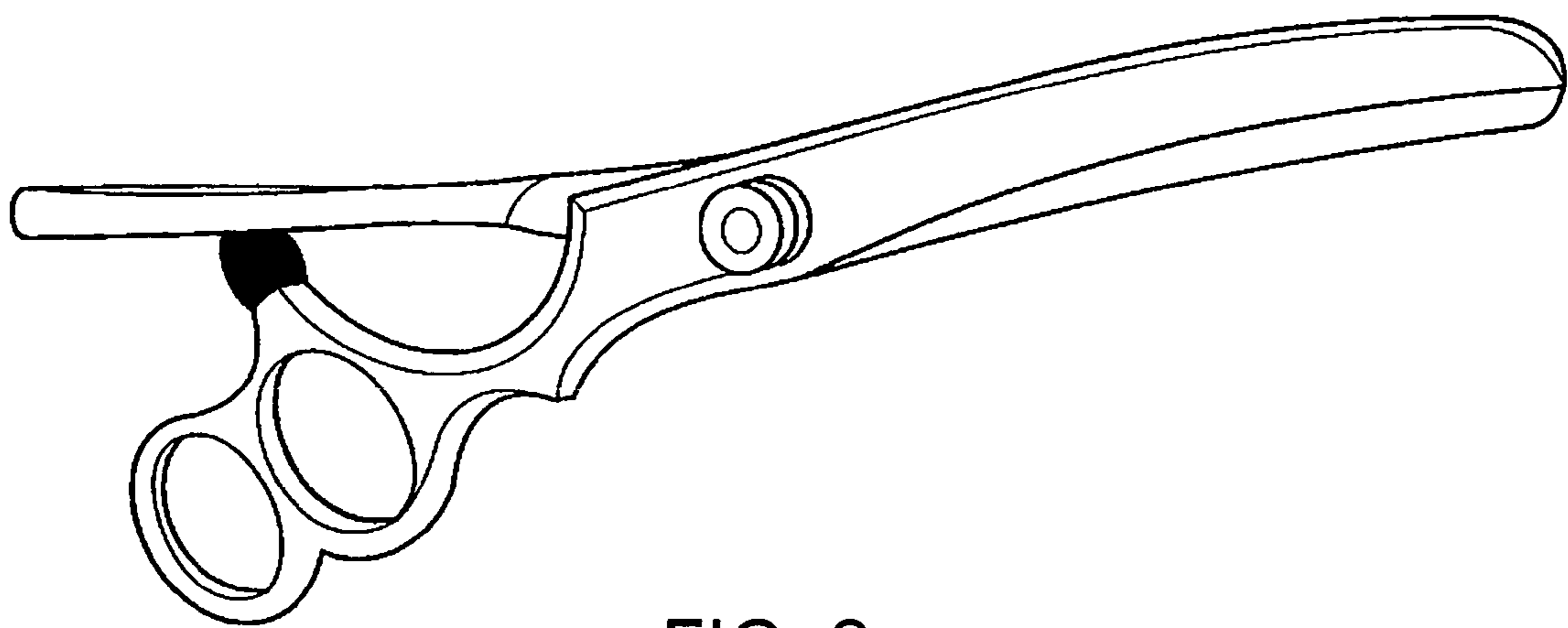


FIG. 2

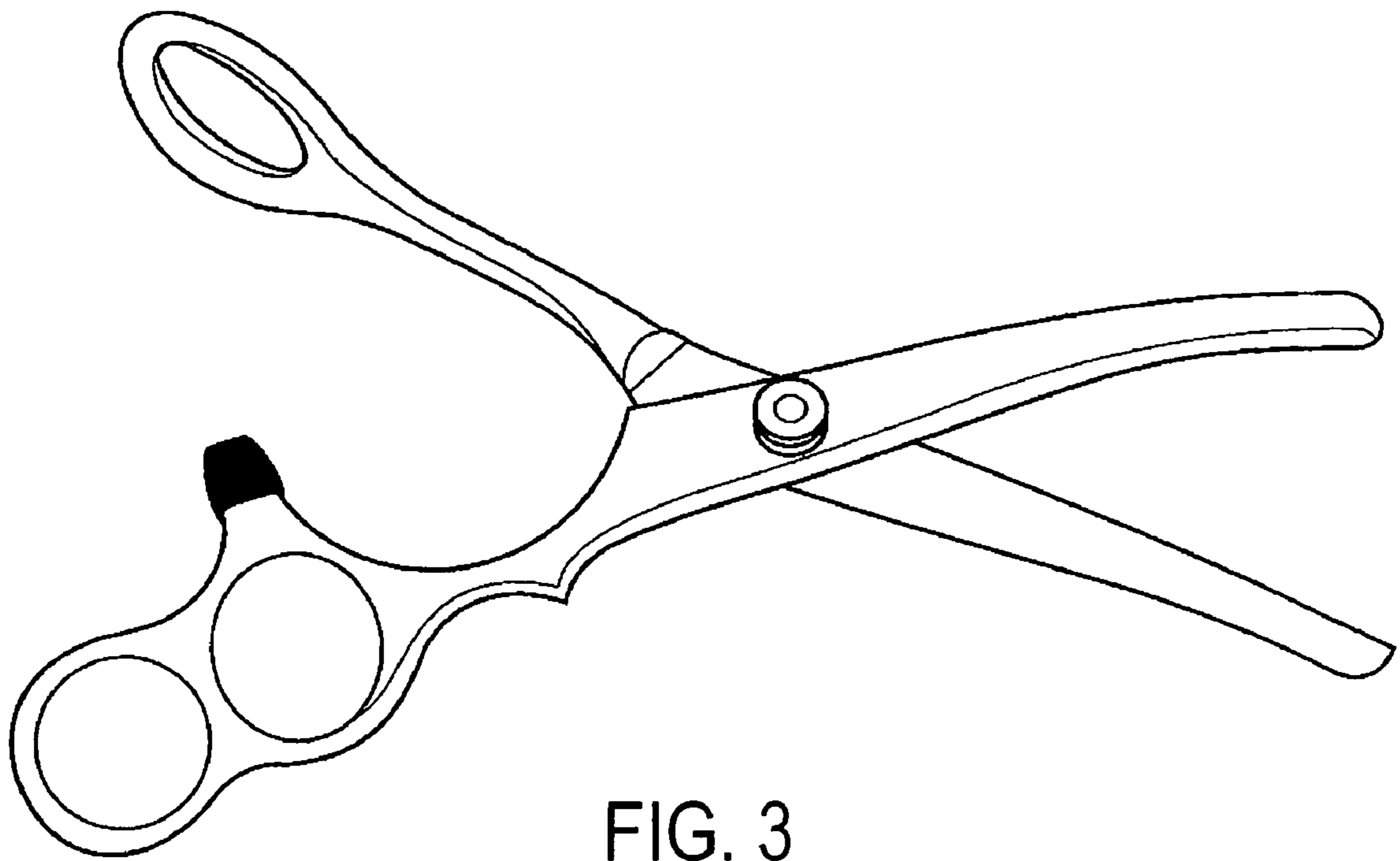


FIG. 3

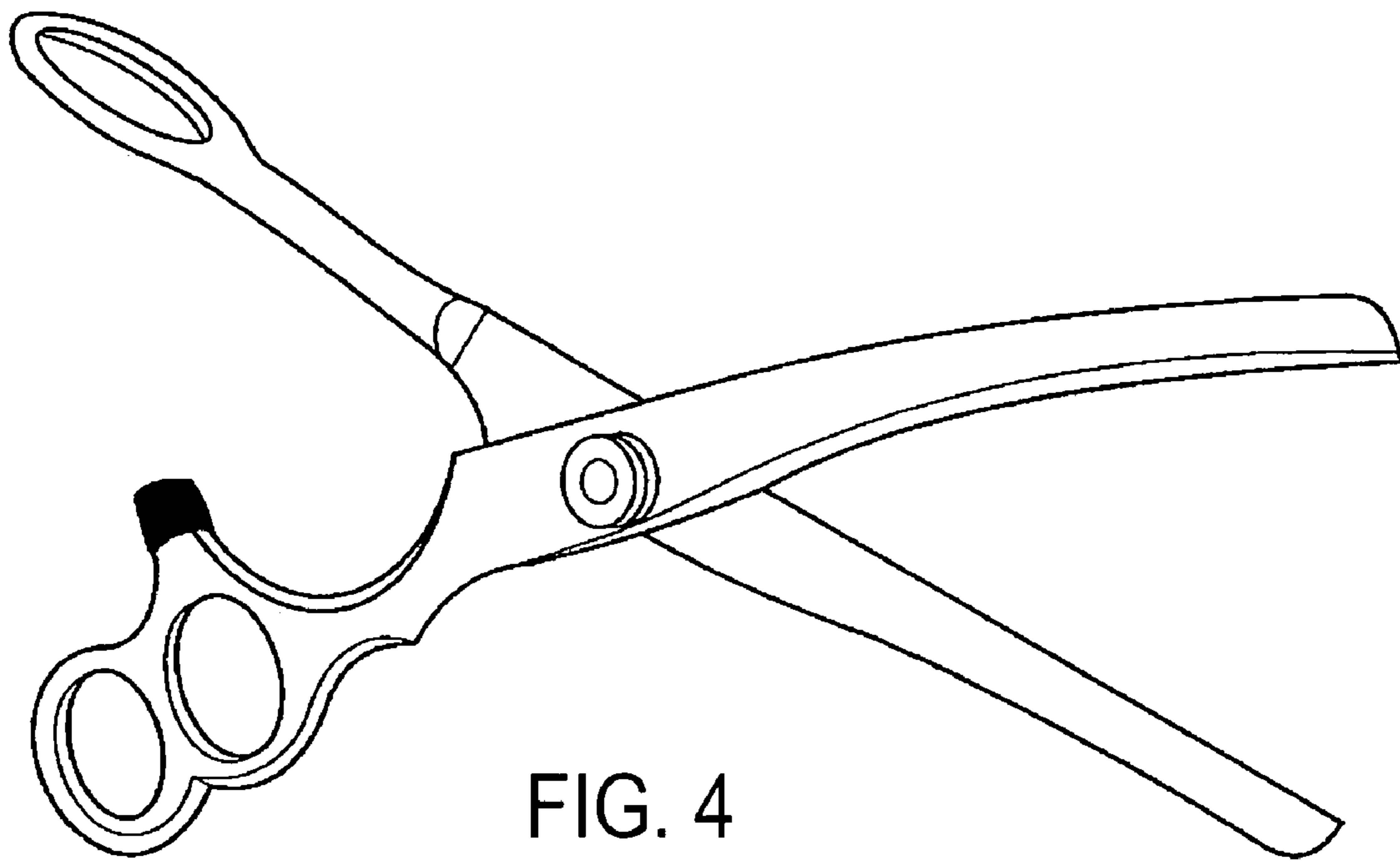


FIG. 4

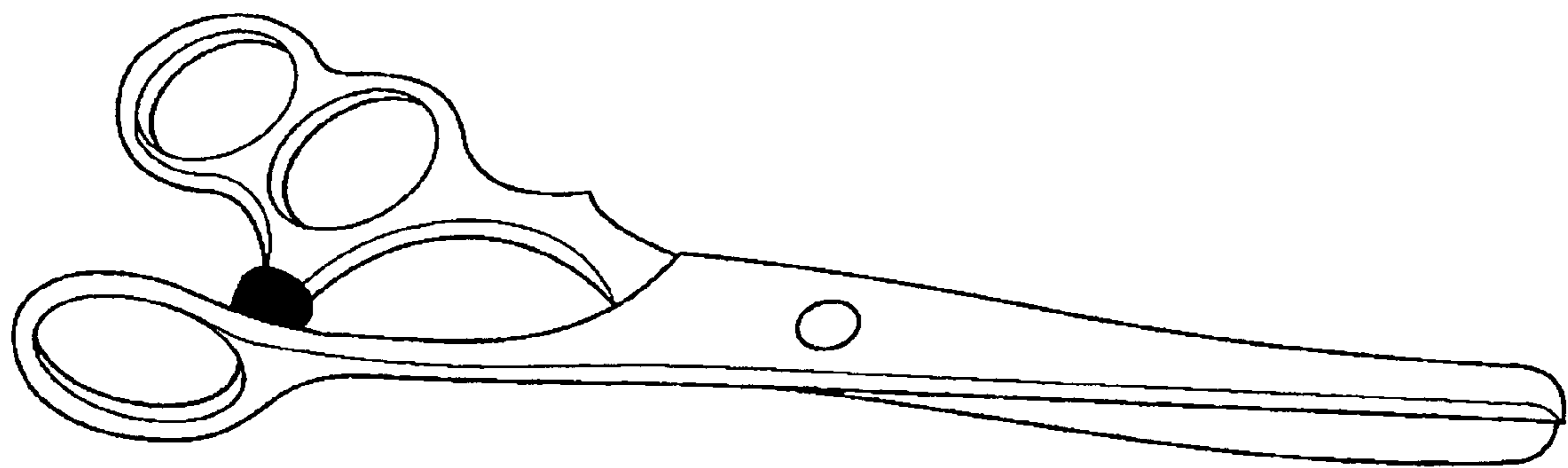


FIG. 5

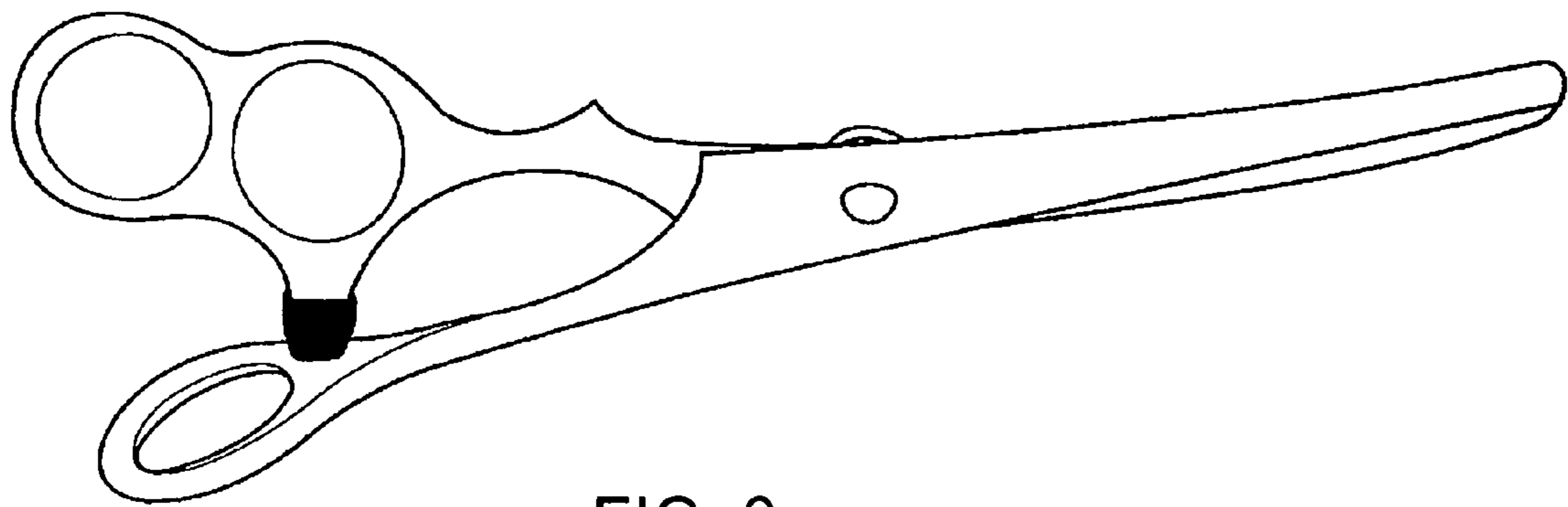


FIG. 6

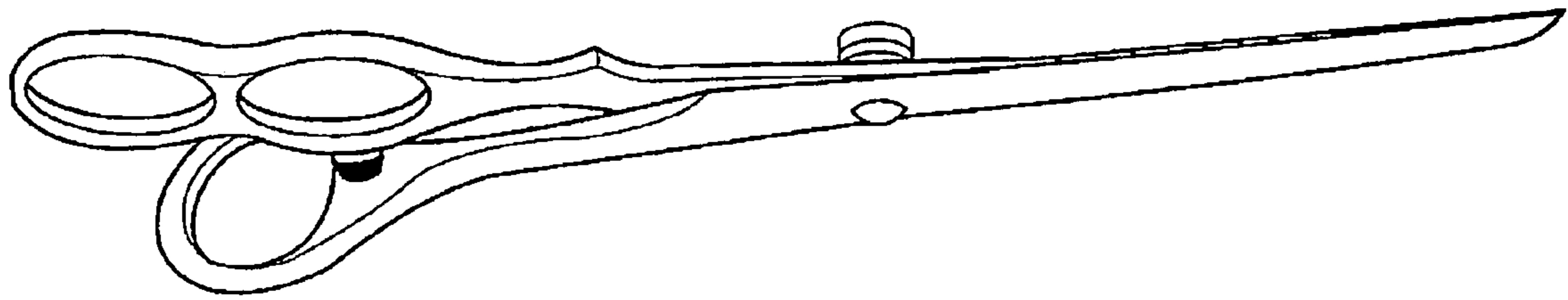


FIG. 7