



US00D566498S

(12) **United States Design Patent**
Byers

(10) **Patent No.:** **US D566,498 S**

(45) **Date of Patent:** **** Apr. 15, 2008**

(54) **MULTI-PURPOSE OPENER**

(76) Inventor: **Vera Byers**, 839 Farmhurst Dr., Apt. F,
Charlotte, NC (US) 28217

(**) Term: **14 Years**

(21) Appl. No.: **29/280,501**

(22) Filed: **May 30, 2007**

(51) **LOC (8) Cl.** **07-99**

(52) **U.S. Cl.** **D8/34**

(58) **Field of Classification Search** D8/16,
D8/18, 19, 33, 34, 38, 40; D32/46; 7/151,
7/152, 156; 81/3.07, 3.09, 3.27, 3.31, 3.35,
81/3.47, 3.55, 3.56, 3.57

See application file for complete search history.

(56) **References Cited**

U.S. PATENT DOCUMENTS

D172,571 S *	7/1954	Ward	D8/34
D249,452 S *	9/1978	Gendron	D8/40
D273,555 S *	4/1984	Tanner	D8/40
D277,725 S *	2/1985	Silkebakken et al.	D8/40
4,549,451 A *	10/1985	Widman	81/3.47
4,617,842 A	10/1986	Yang		
D292,479 S *	10/1987	Beauchan	D8/40
D307,225 S *	4/1990	Freidenfelds	D7/619.1
4,976,172 A	12/1990	Thomas et al.		
4,979,407 A	12/1990	Hernandez et al.		

D339,274 S *	9/1993	Alpers	D8/43
D342,448 S *	12/1993	Ritcey	D9/443
6,105,468 A	8/2000	Fohrman et al.		
D440,135 S	4/2001	Vaught		
D447,675 S *	9/2001	Vaught	D8/38
D447,923 S *	9/2001	Taylor et al.	D8/40
D464,240 S *	10/2002	Vaught	D8/38
D465,979 S *	11/2002	Vaught	D8/38

* cited by examiner

Primary Examiner—Caron D. Veynar

Assistant Examiner—Garth Rademaker

(74) *Attorney, Agent, or Firm*—Lawrence J. Gibney, Jr.

(57) **CLAIM**

The ornamental design for a multi-purpose opener, as shown.

DESCRIPTION

FIG. 1 is a top plan view of a multi-purpose opener showing my new design;

FIG. 2 is a bottom plan view thereof;

FIG. 3 is a left side elevation view thereof;

FIG. 4 is a front elevational view thereof;

FIG. 5 is a rear elevational view thereof; and,

FIG. 6 is a perspective view thereof.

1 Claim, 3 Drawing Sheets

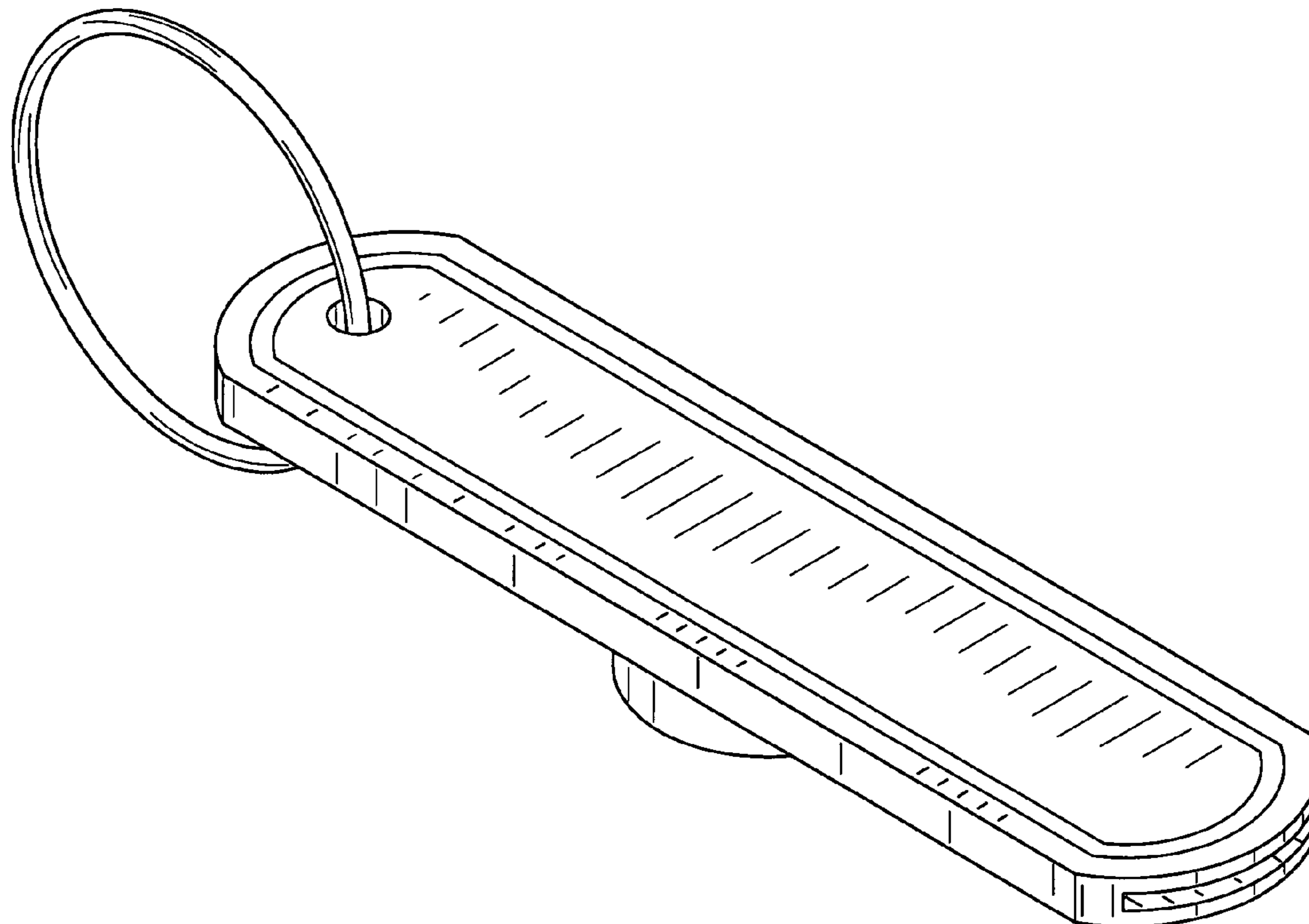


FIG. 1

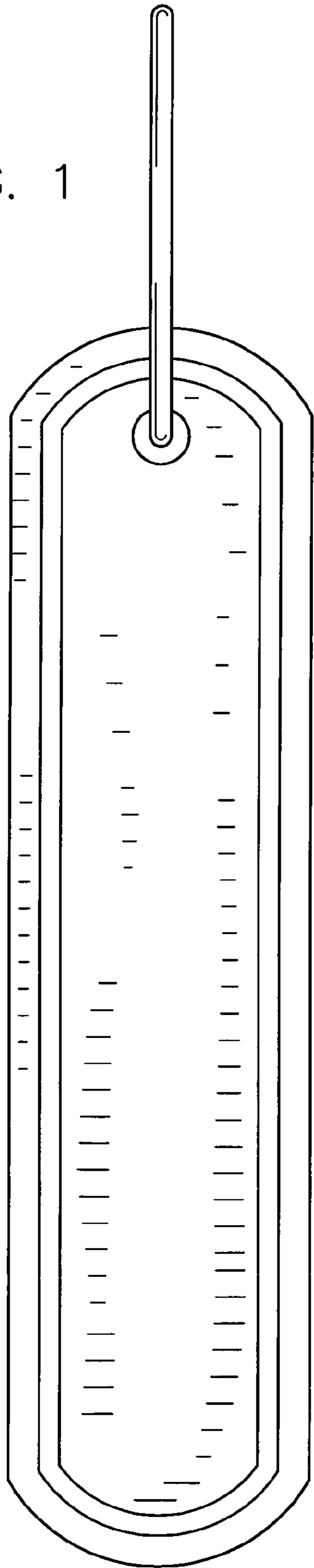
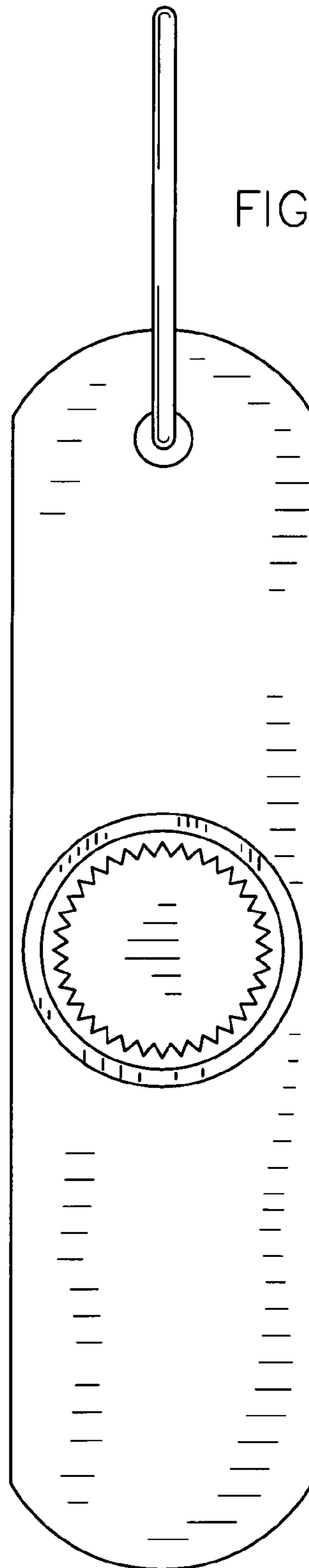
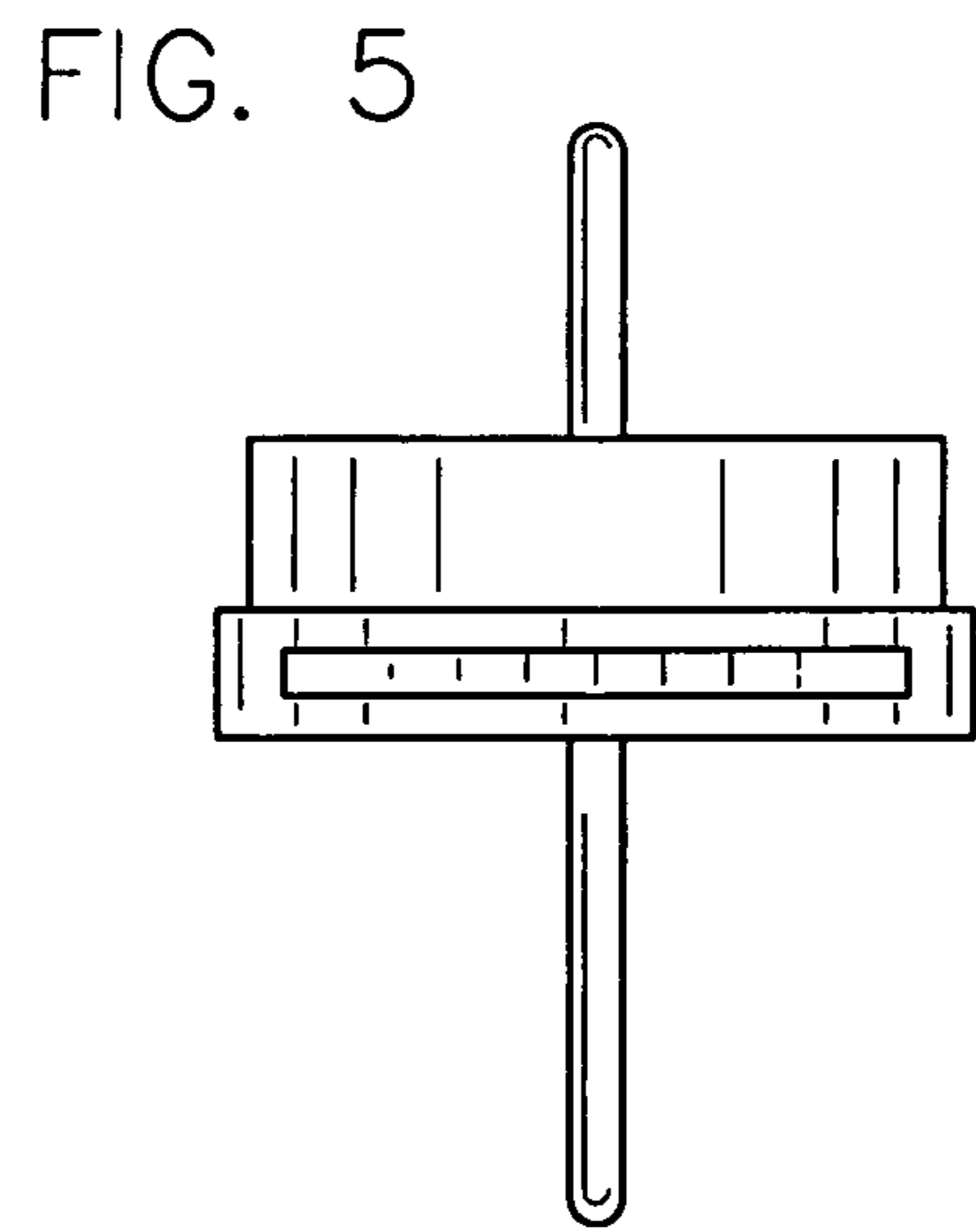
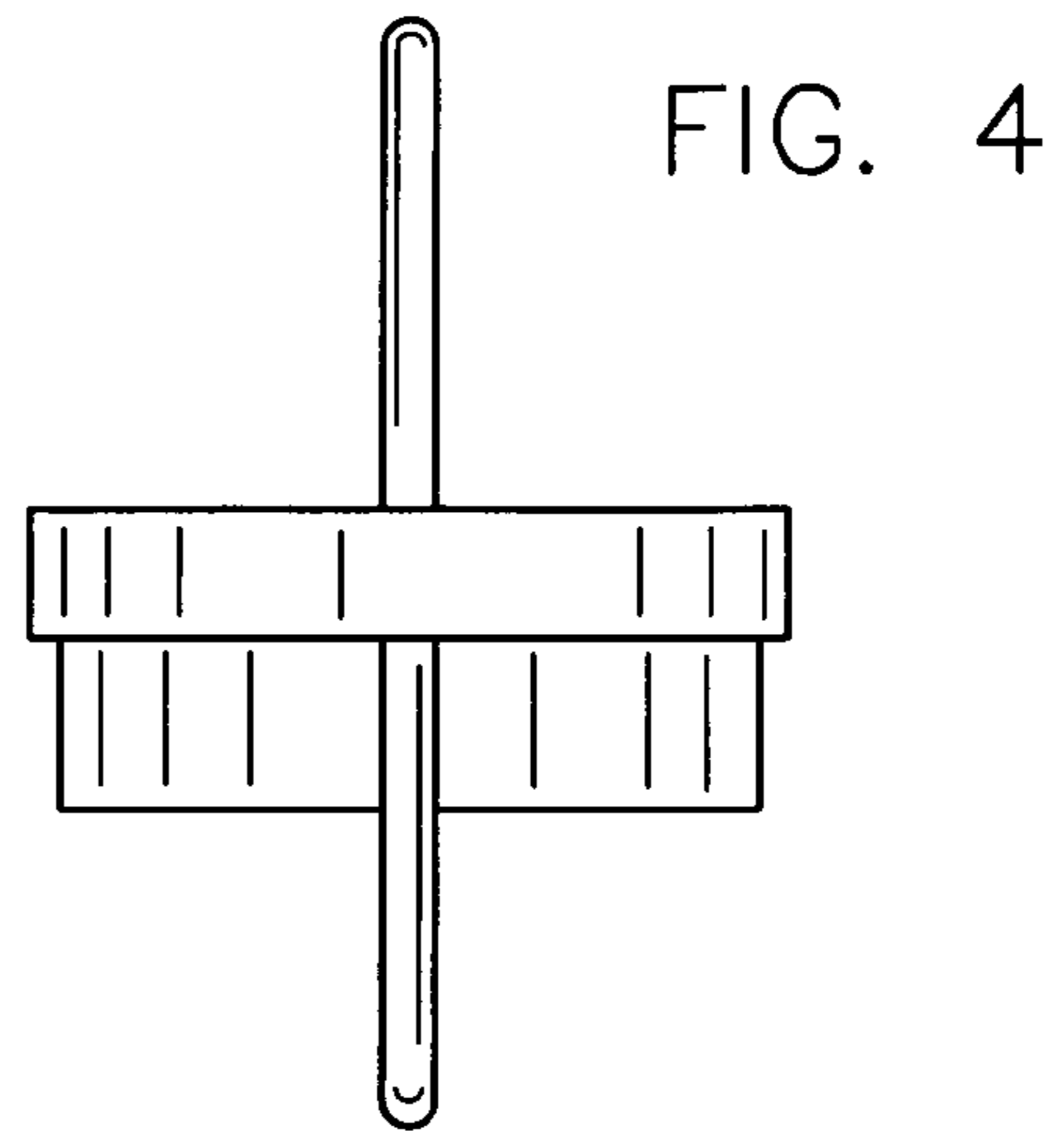
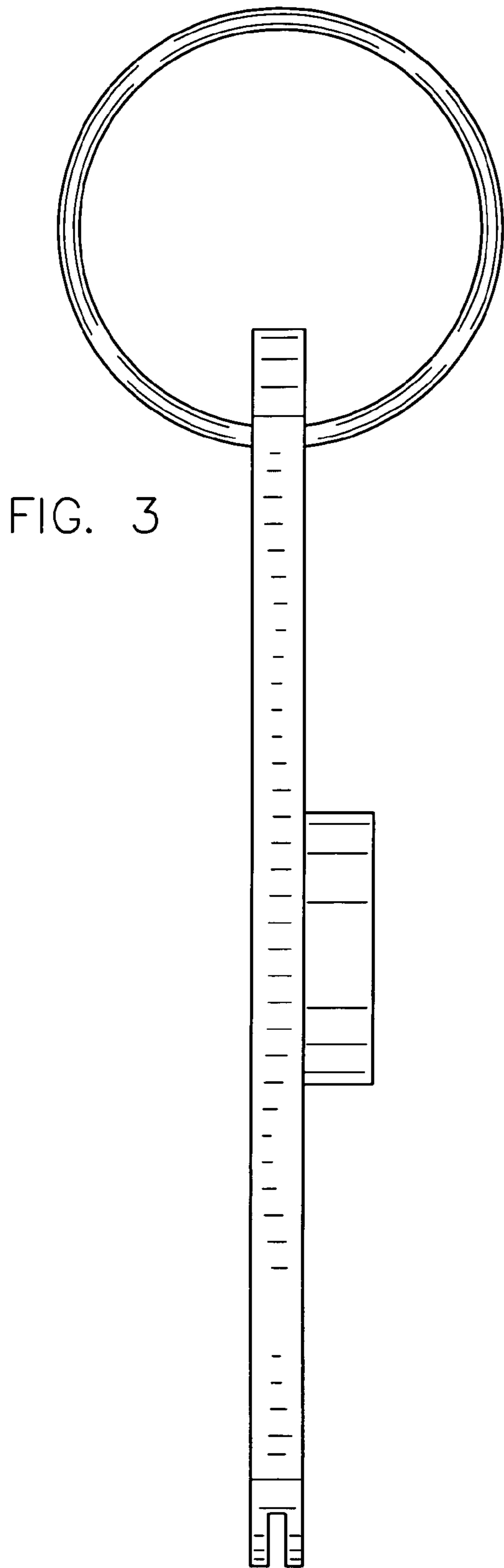


FIG. 2





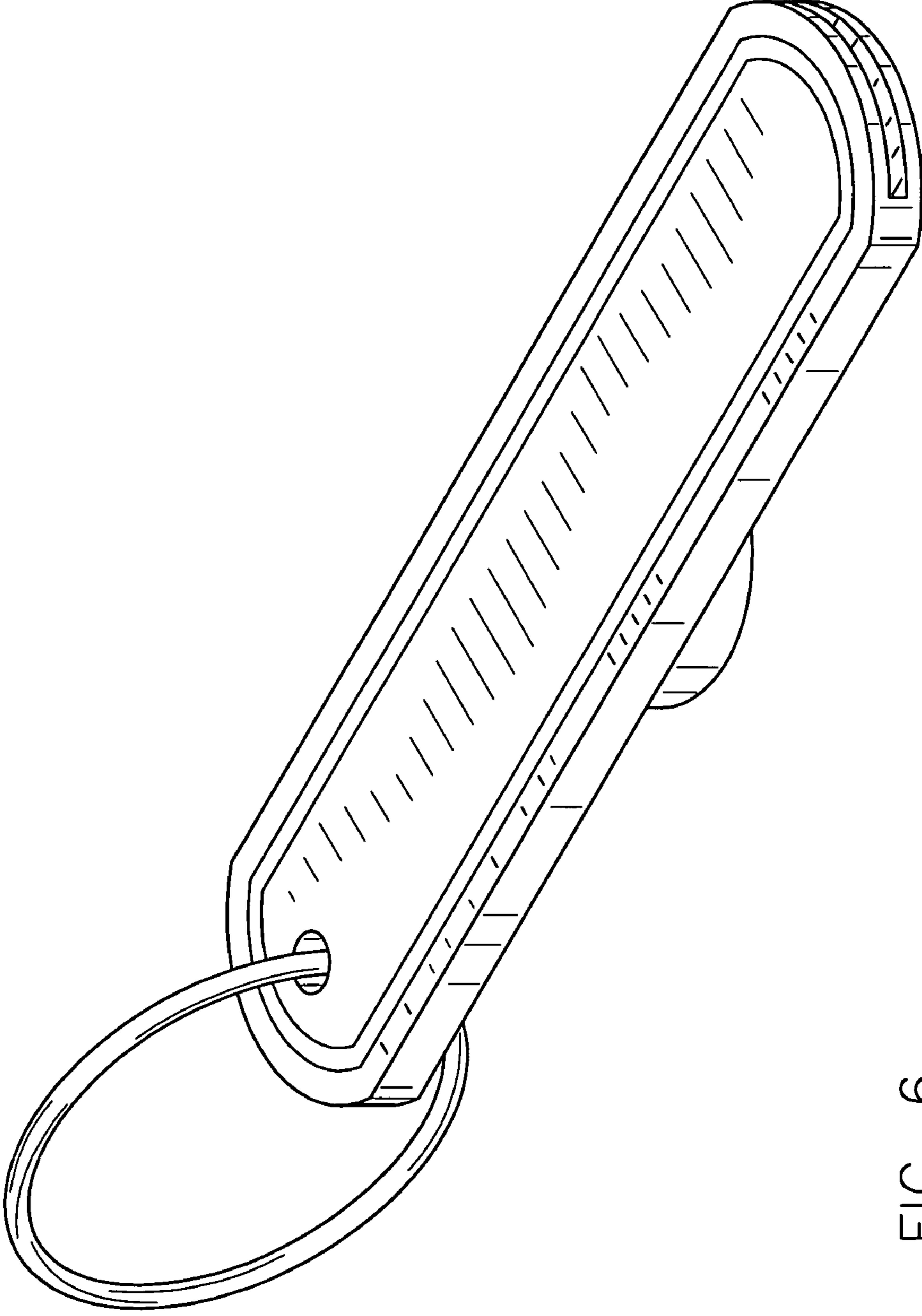


FIG. 6