

US00D566492S

(12) **United States Design Patent**
Snowball

(10) **Patent No.:** **US D566,492 S**

(45) **Date of Patent:** **** Apr. 15, 2008**

(54) **LAWN EDGER**

D482,940 S * 12/2003 Nawrozki D8/8
D530,163 S * 10/2006 Xue-Feng D8/8

(75) Inventor: **Colin Snowball**, Pocklington (GB)

* cited by examiner

(73) Assignee: **GMCA Pty Limited** (AU)

Primary Examiner—Holly H. Baynham

(**) Term: **14 Years**

Assistant Examiner—Sheryl Friedman

(21) Appl. No.: **29/276,143**

(74) *Attorney, Agent, or Firm*—McKee, Voorhees & Sease, P.L.C.

(22) Filed: **Jan. 17, 2007**

(57) **CLAIM**

(30) **Foreign Application Priority Data**

I claim the ornamental design for a lawn edger, as shown.

Jul. 19, 2006 (AU) 13074/06

DESCRIPTION

(51) **LOC (8) Cl.** **08-01**

FIG. 1 is a side perspective view of the lawn edger.

(52) **U.S. Cl.** **D8/8**

FIG. 2 is an opposite side perspective view of the lawn edger.

(58) **Field of Classification Search** D8/8;

FIG. 3 is a top view of the lawn edger.

56/12.7; 30/276, 208, 233

FIG. 4 is a side view of the lawn edger.

See application file for complete search history.

FIG. 5 is a bottom view of the lawn edger.

(56) **References Cited**

FIG. 6 is a front view of the lawn edger.

U.S. PATENT DOCUMENTS

FIG. 7 is a rear view of the lawn edger; and,

D360,563 S * 7/1995 Griffin et al. D8/8

FIG. 8 is an opposite side view of the lawn edger.

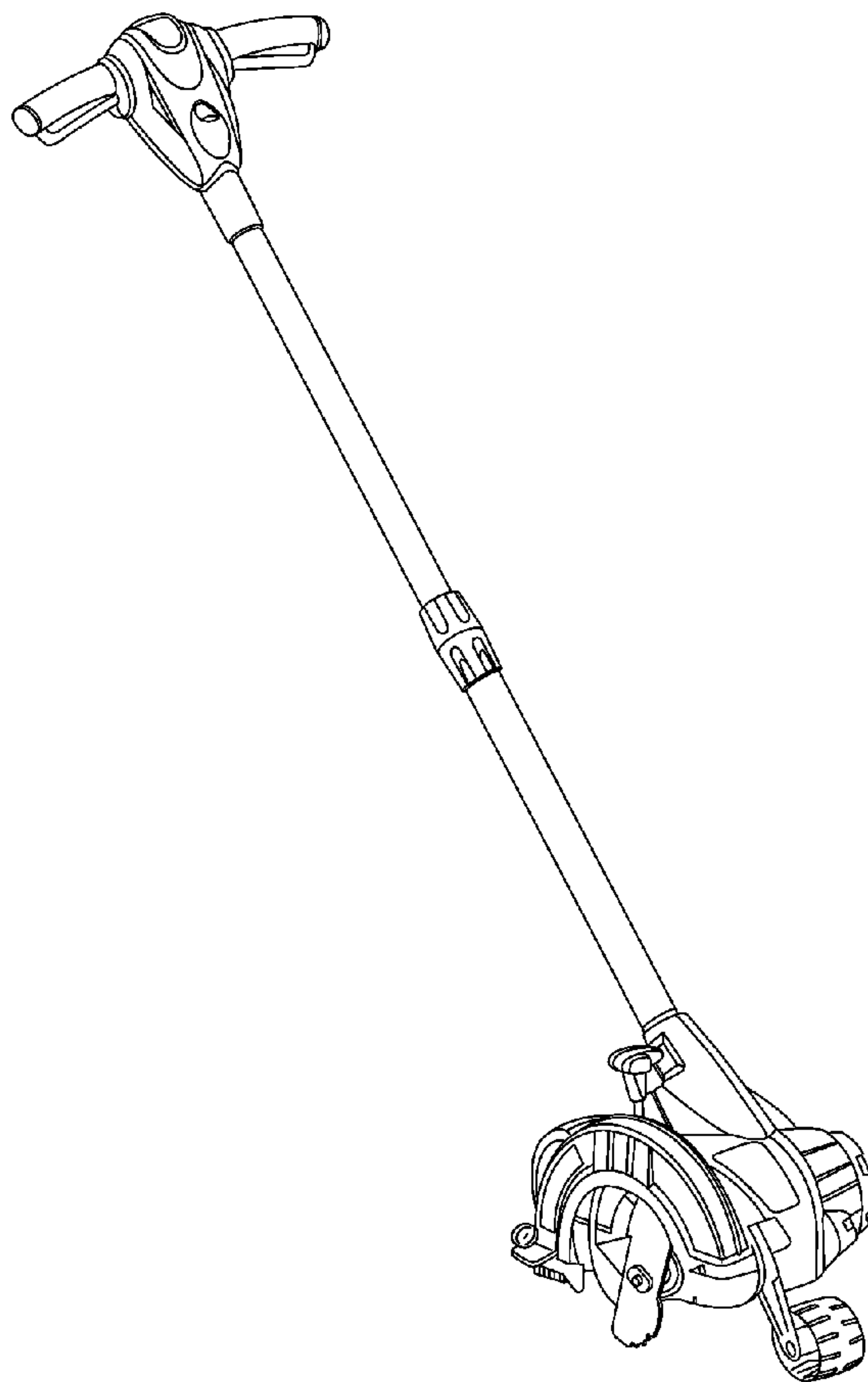
D423,308 S * 4/2000 Marshall et al. D8/8

1 Claim, 8 Drawing Sheets

D427,861 S * 7/2000 Cooper et al. D8/8

D457,403 S * 5/2002 Cooper D8/8

D460,668 S * 7/2002 Yamane et al. D8/8



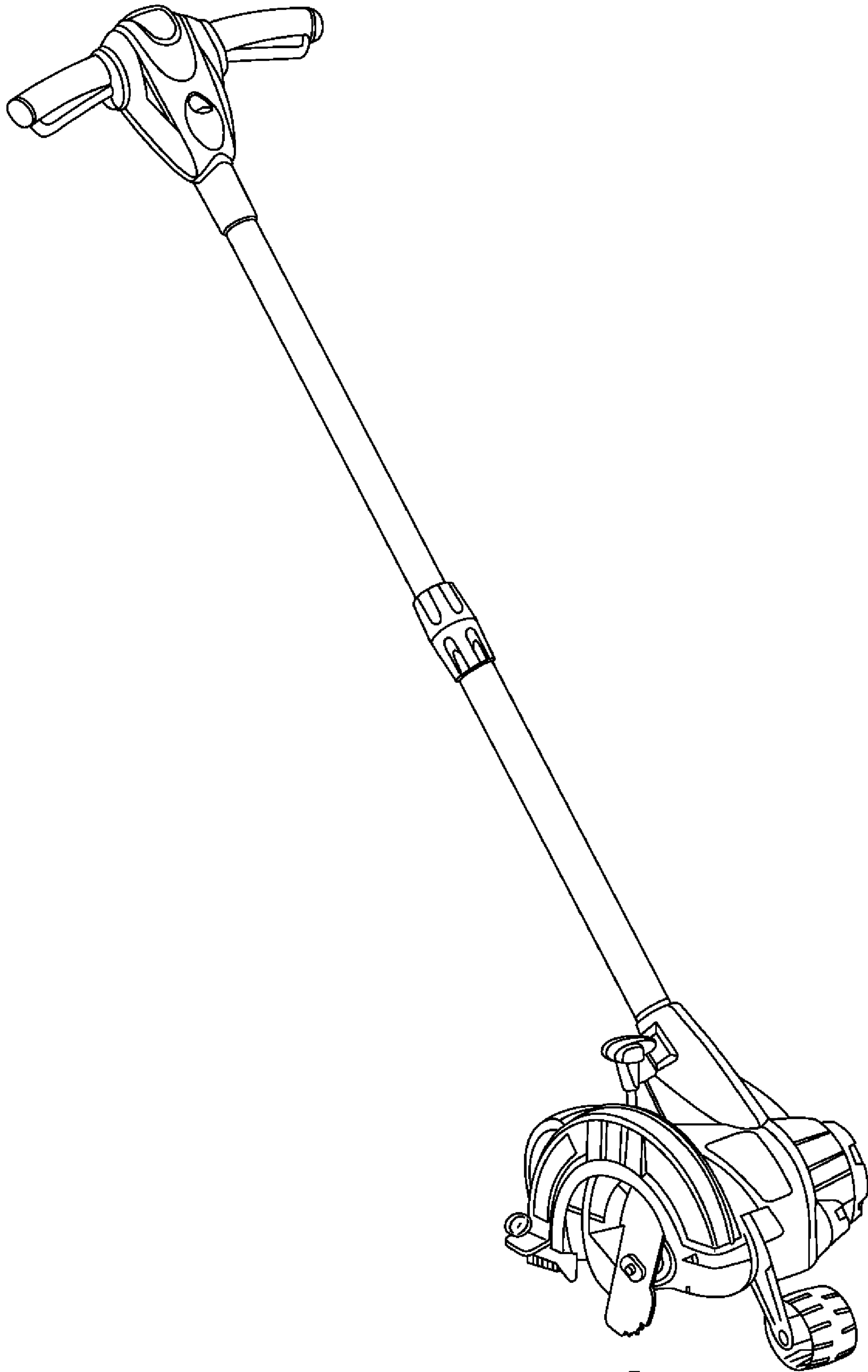


FIG. 1

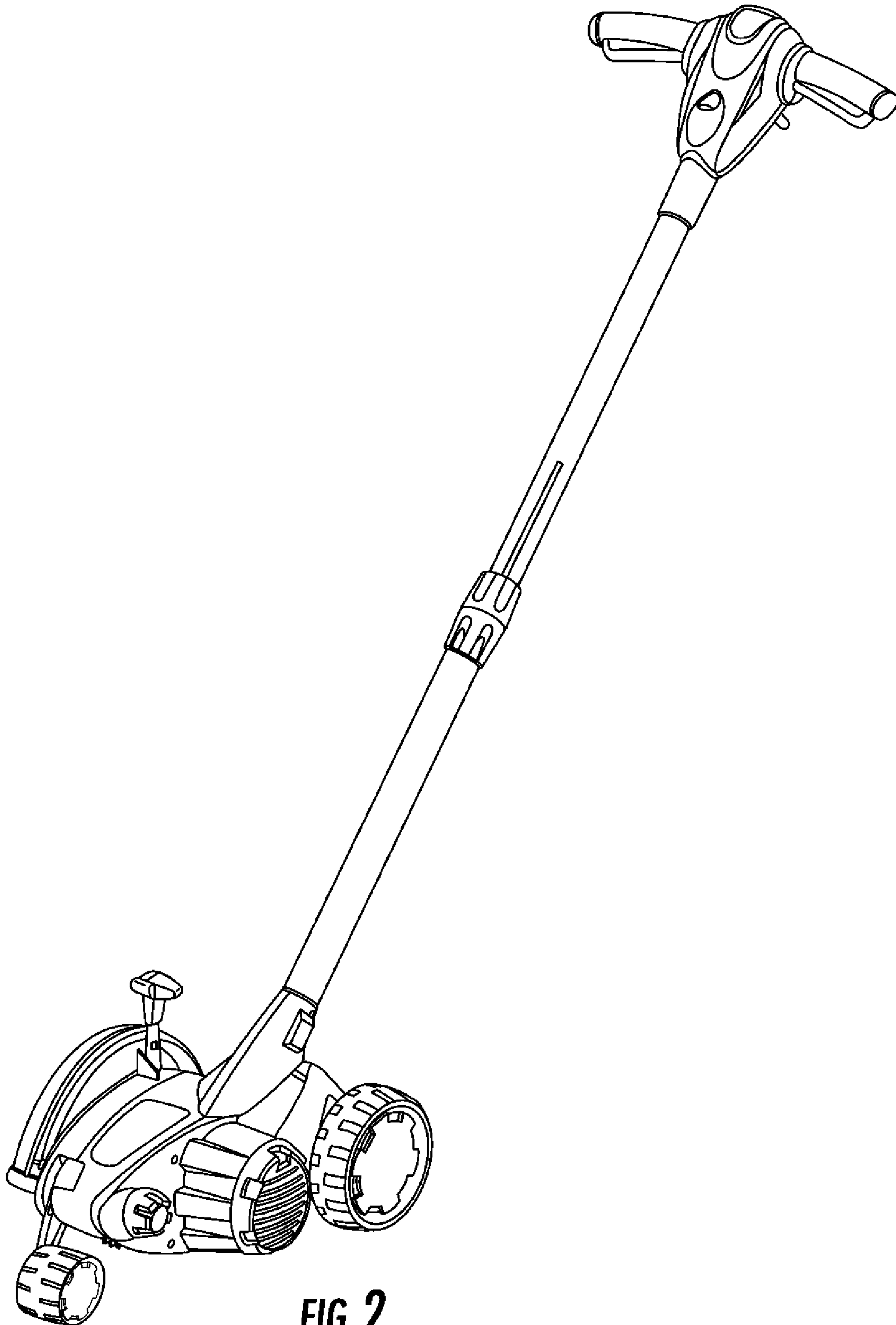


FIG. 2

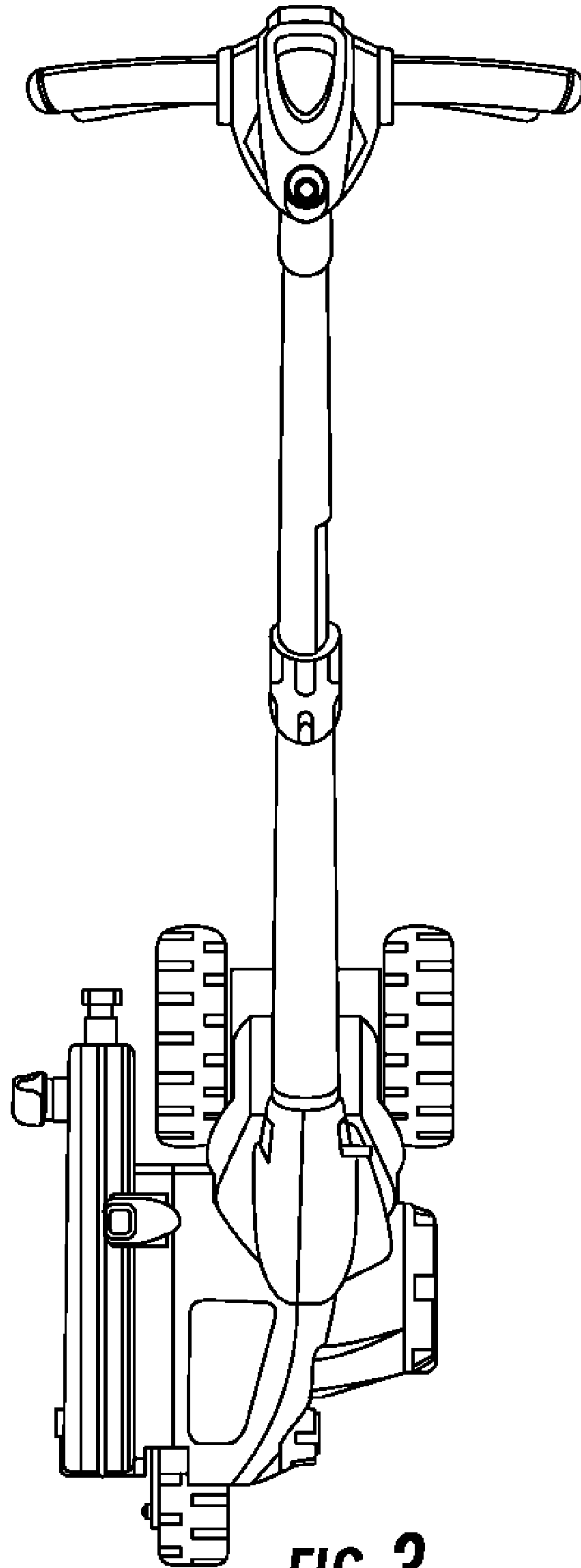


FIG. 3

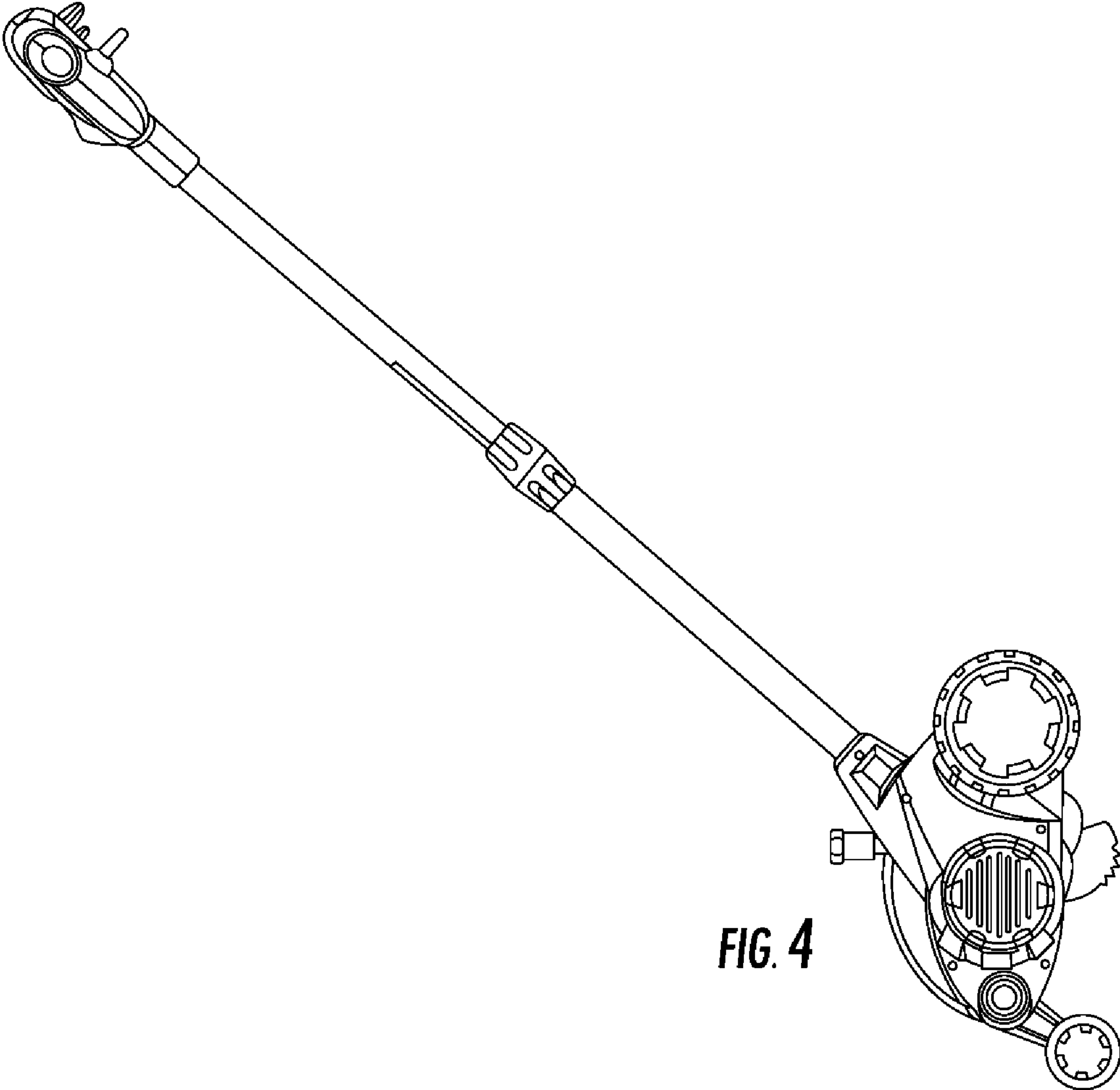


FIG. 4

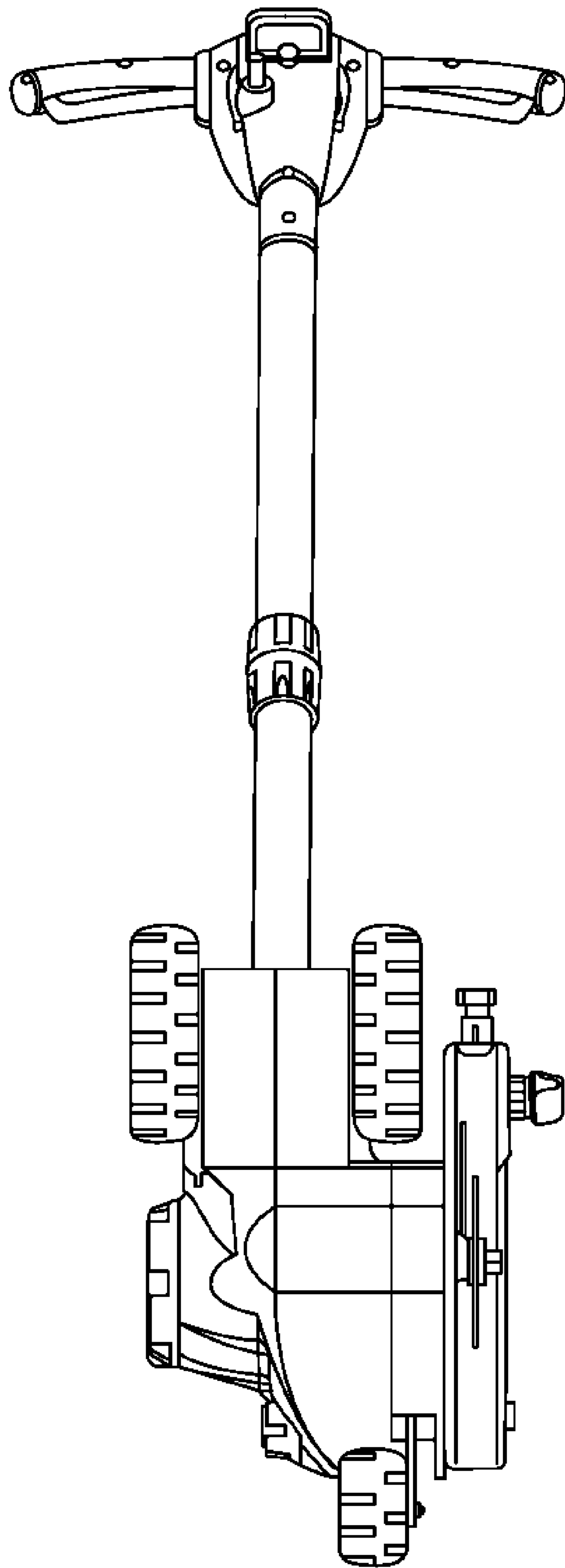


FIG. 5

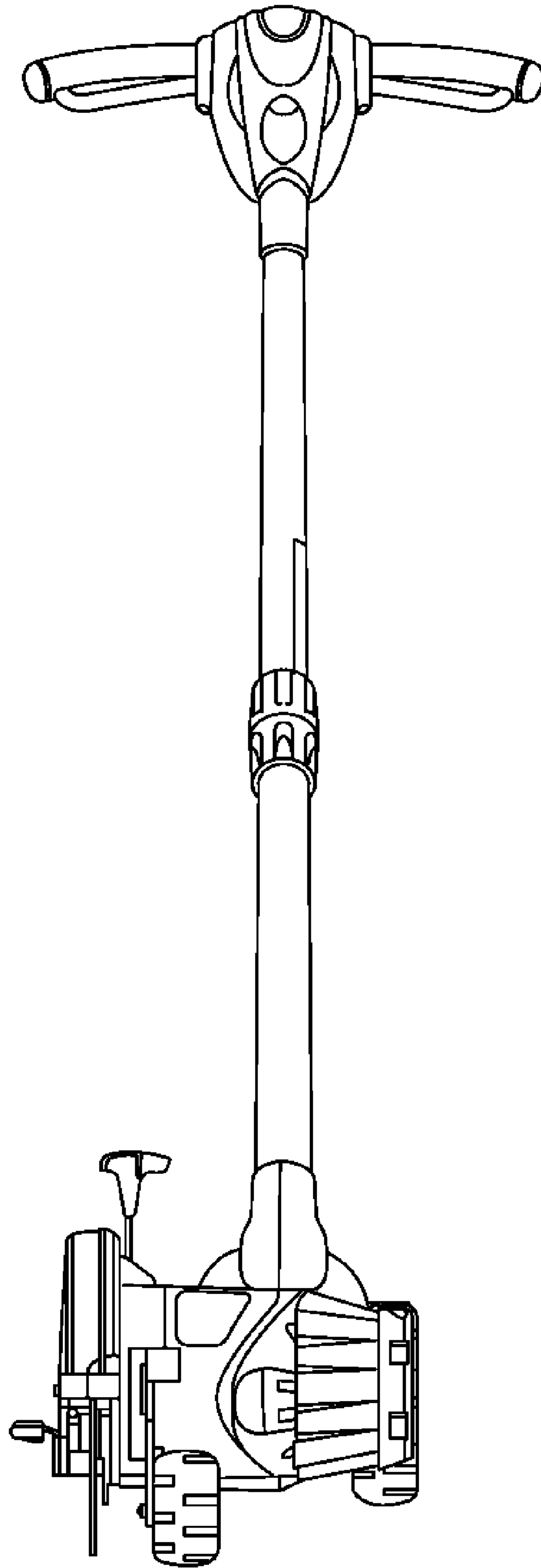


FIG. 6

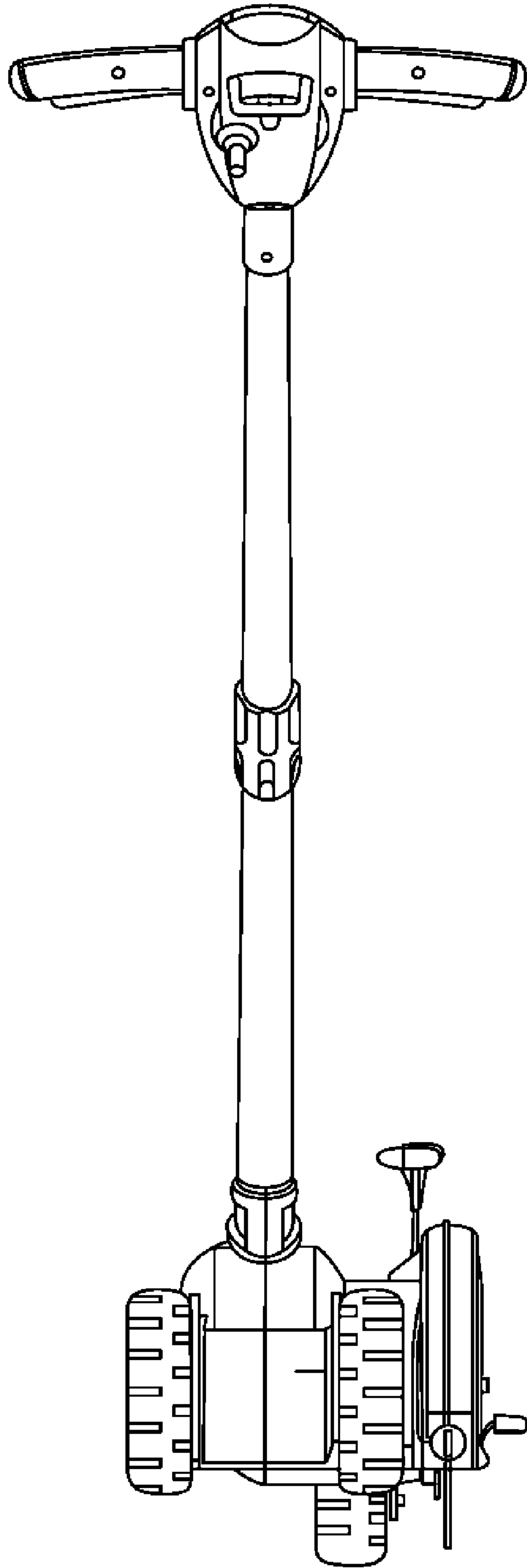


FIG. 7

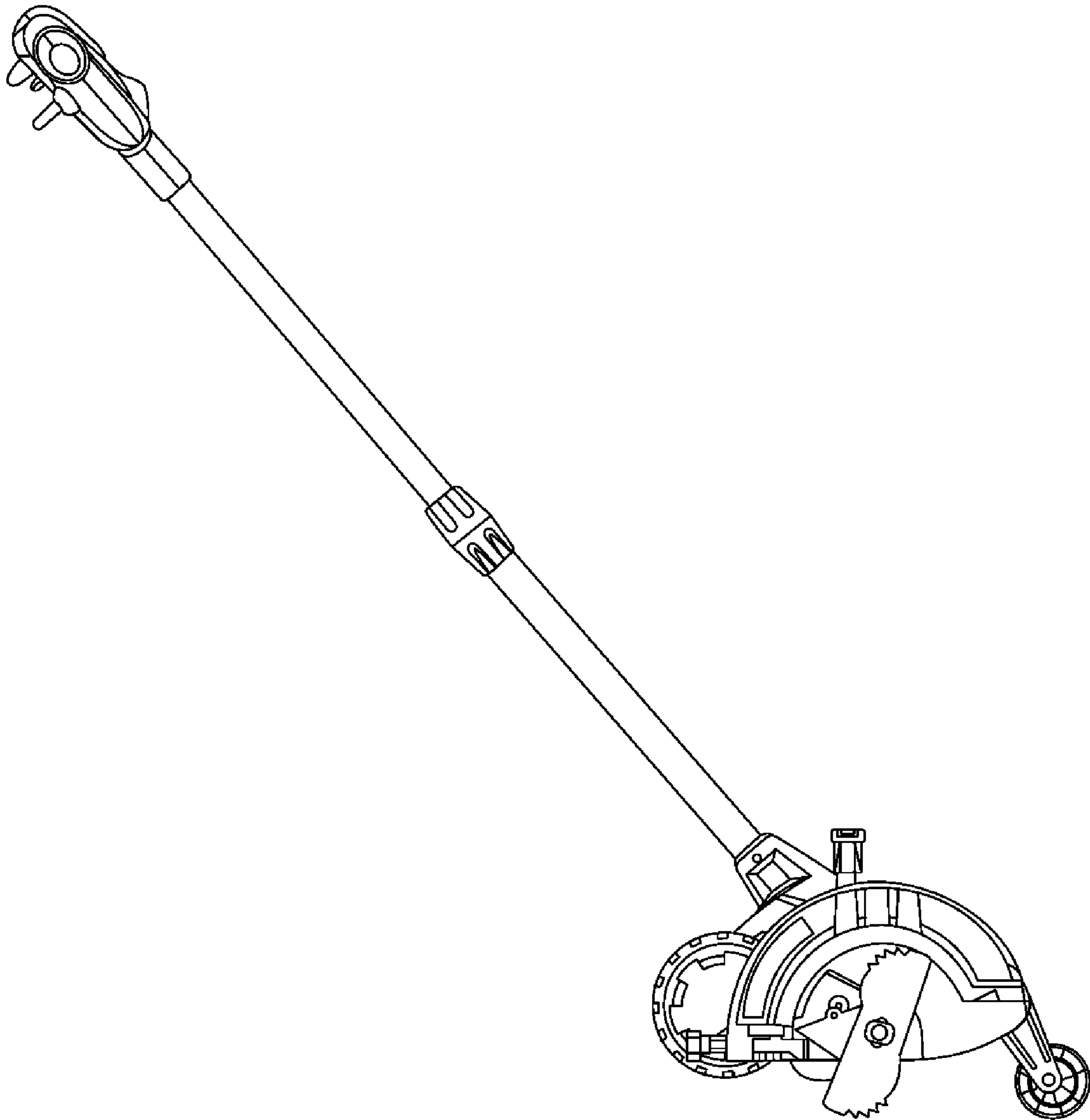


FIG. 8