



US00D566490S

(12) **United States Design Patent**
Frentzel

(10) **Patent No.:** **US D566,490 S**

(45) **Date of Patent:** **** Apr. 15, 2008**

(54) **DECORATIVE WINE SHELF**

(76) **Inventor:** **Arthur Edward Frentzel**, 3953 Indian Ridge La., Defiance, MO (US) 63341-2027

(**) **Term:** **14 Years**

(21) **Appl. No.:** **29/286,956**

(22) **Filed:** **May 24, 2007**

(51) **LOC (8) Cl.** **06-04**

(52) **U.S. Cl.** **D7/701**

(58) **Field of Classification Search** D7/701-708, D7/600.1-600.4; D6/465, 468, 479; 211/70.1, 211/71.01, 74, 75, 13.1, 85.29, 70.7, 86.01, 211/175, 188, 194
See application file for complete search history.

(56) **References Cited**

U.S. PATENT DOCUMENTS

3,606,023 A * 9/1971 Edmunds 211/74
D232,340 S * 8/1974 Lax D7/708

3,870,155 A * 3/1975 Galloway 211/74
4,093,076 A * 6/1978 Newton 211/74
D273,450 S * 4/1984 Williams D7/707
4,998,631 A * 3/1991 Fridjhon 211/74
D353,747 S * 12/1994 Lanier D7/701
D377,298 S * 1/1997 Campbell D7/708
5,975,314 A * 11/1999 Lee 211/13.1

* cited by examiner

Primary Examiner—Terry A Wallace

(57) **CLAIM**

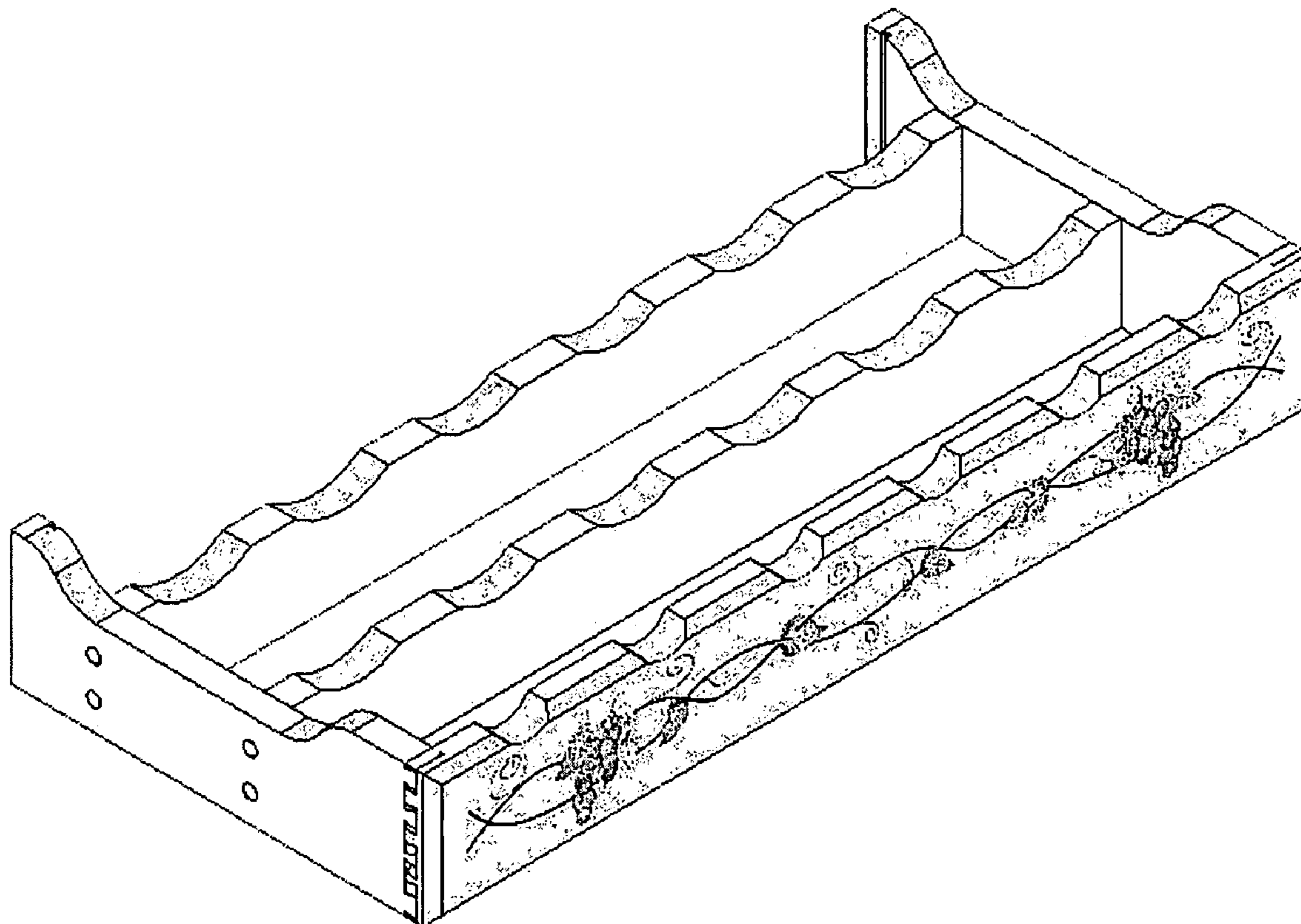
The ornamental design for a decorative wine shelf, as shown and described.

DESCRIPTION

The article presented in the current application contains similar elements presented in a Utility Patent submitted in application Ser. No. 11/247,833 filing date Oct. 11, 2005.

FIG. 1 is a top, front, and left side perspective view of a decorative wine shelf showing my new design.

1 Claim, 1 Drawing Sheet



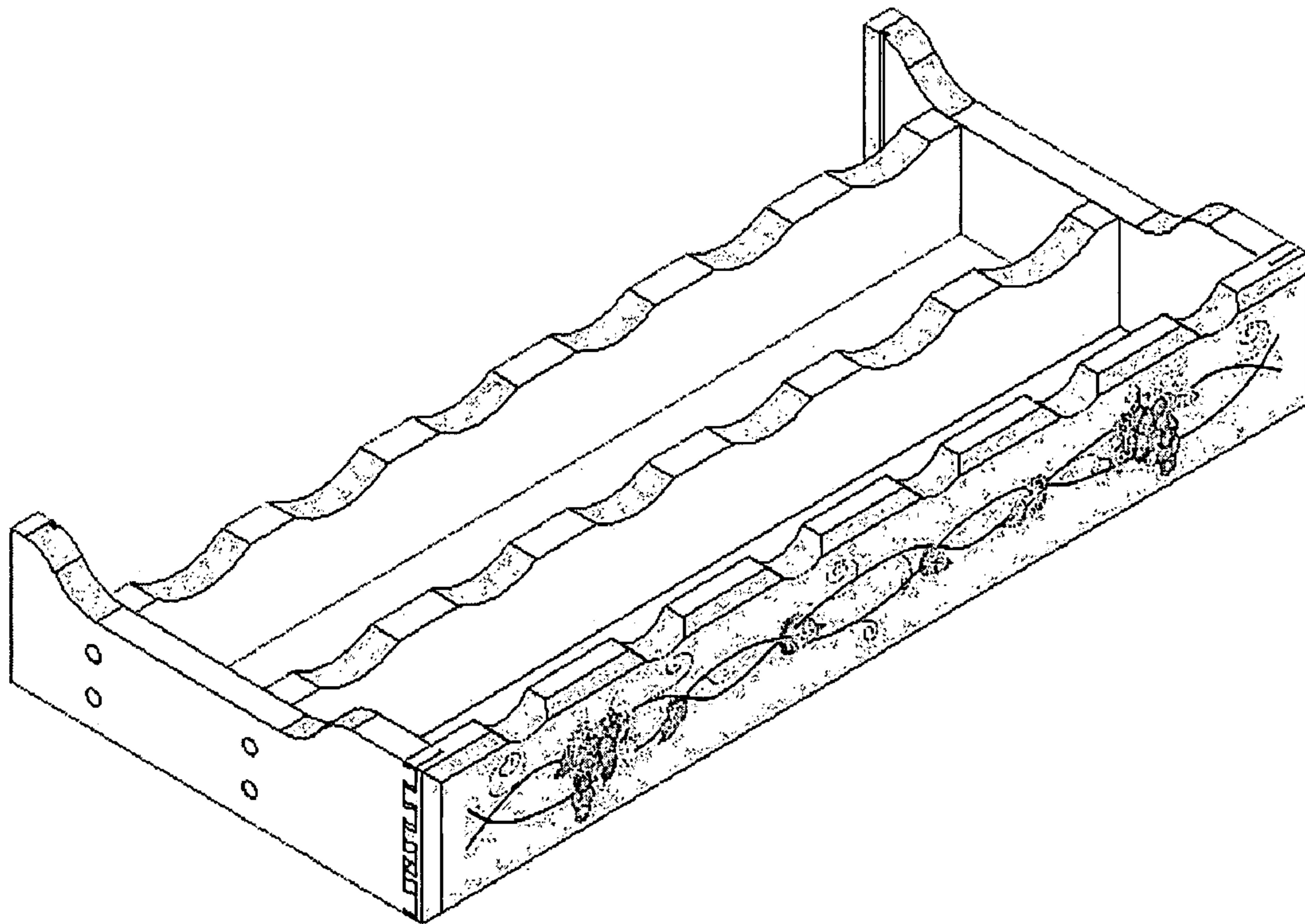


FIG. 1