



US00D566489S

(12) **United States Design Patent**
Repp

(10) **Patent No.:** **US D566,489 S**

(45) **Date of Patent:** **** Apr. 15, 2008**

(54) **COLLAPSIBLE FUNNEL**

6,152,198 A * 11/2000 Nguyen 141/337

(76) Inventor: **Timothy Corcoran Repp**, 111 Main St., Collinsville, CT (US) 06019

* cited by examiner

Primary Examiner—Terry A Wallace

(74) *Attorney, Agent, or Firm*—Daniel V. Thompson

(**) Term: **14 Years**

(21) Appl. No.: **29/276,475**

(57) **CLAIM**

(22) Filed: **Jan. 26, 2007**

The ornamental design for a “collapsible funnel,” as shown and described.

(51) **LOC (8) Cl.** **07-99**

(52) **U.S. Cl.** **D7/700**

(58) **Field of Classification Search** D7/700,
D7/400; D23/200; D15/150; 141/95, 98,
141/297–300, 331–345, 199–205

See application file for complete search history.

DESCRIPTION

FIG. 1 is a perspective view;

FIG. 2 is a front view;

FIG. 3 is a back view;

FIG. 4 is a side view;

FIG. 5 is a side view similar to FIG. 4 rotated 180 degrees;

FIG. 6 is a top view; and,

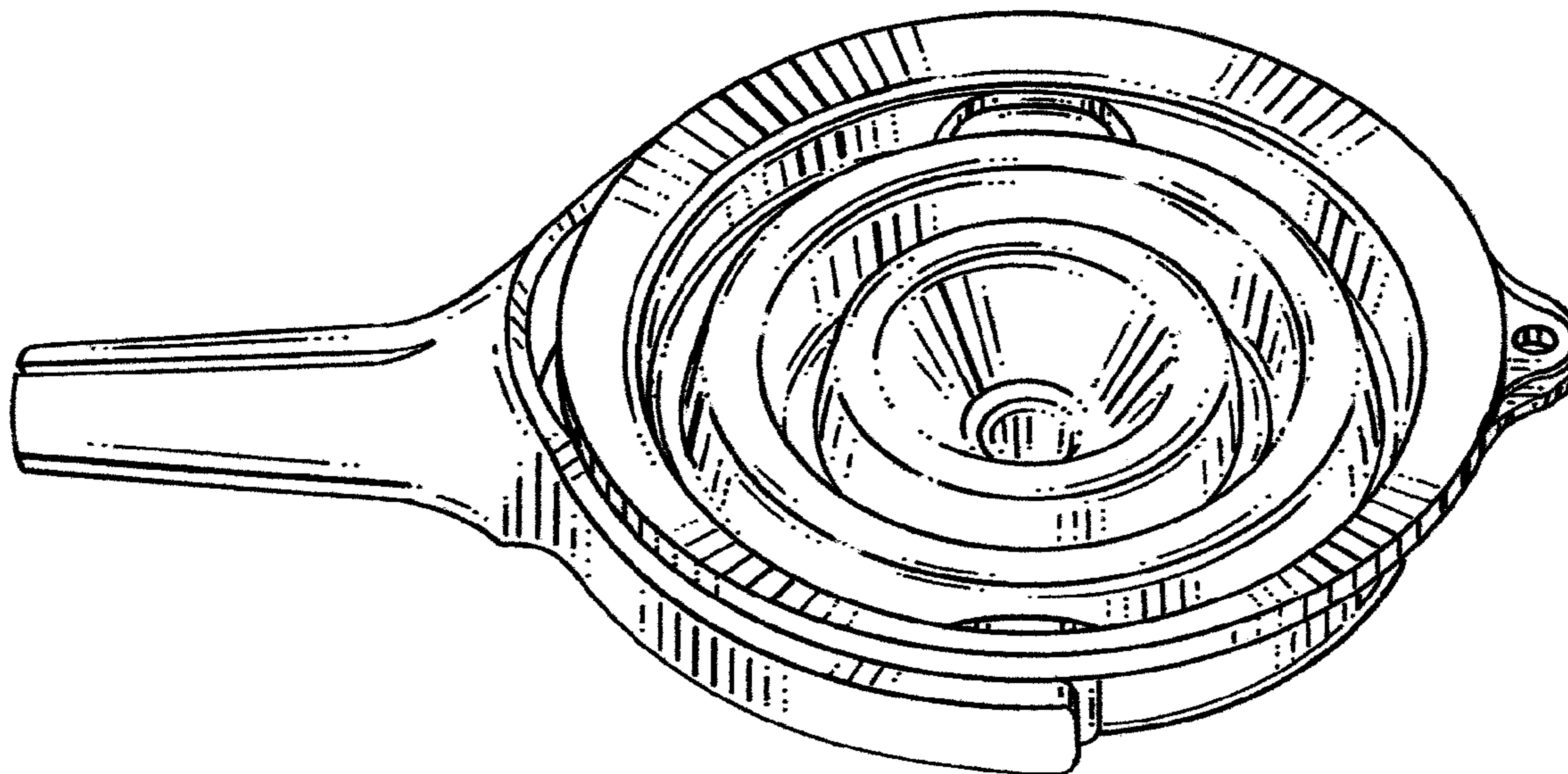
FIG. 7 is a bottom view.

(56) **References Cited**

U.S. PATENT DOCUMENTS

3,982,570	A *	9/1976	Devoe	141/95
4,286,634	A *	9/1981	Wisner	141/95
5,033,521	A *	7/1991	Martin	141/337
D332,035	S *	12/1992	Pigott	D7/700

1 Claim, 5 Drawing Sheets



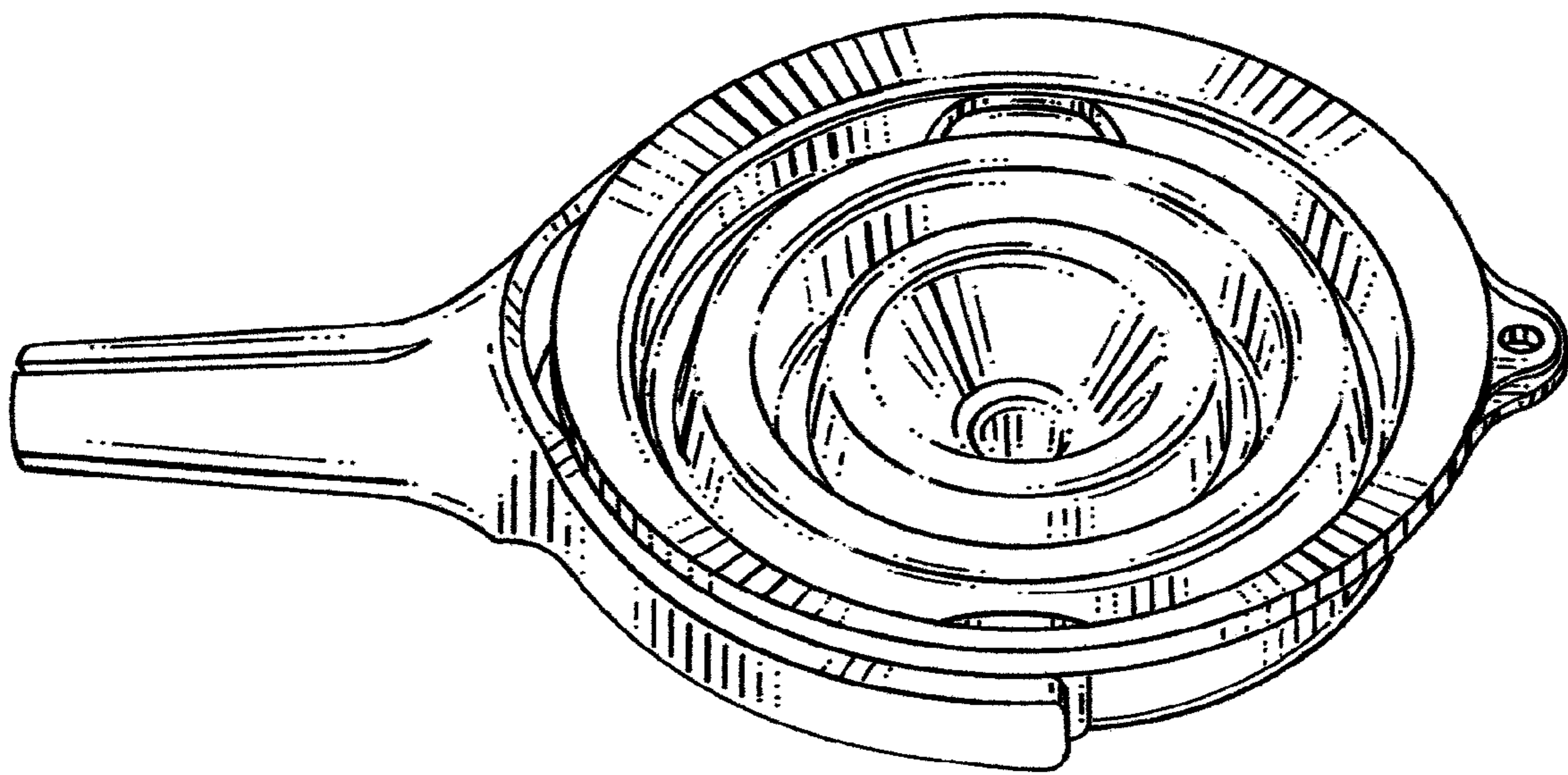


FIG. 1

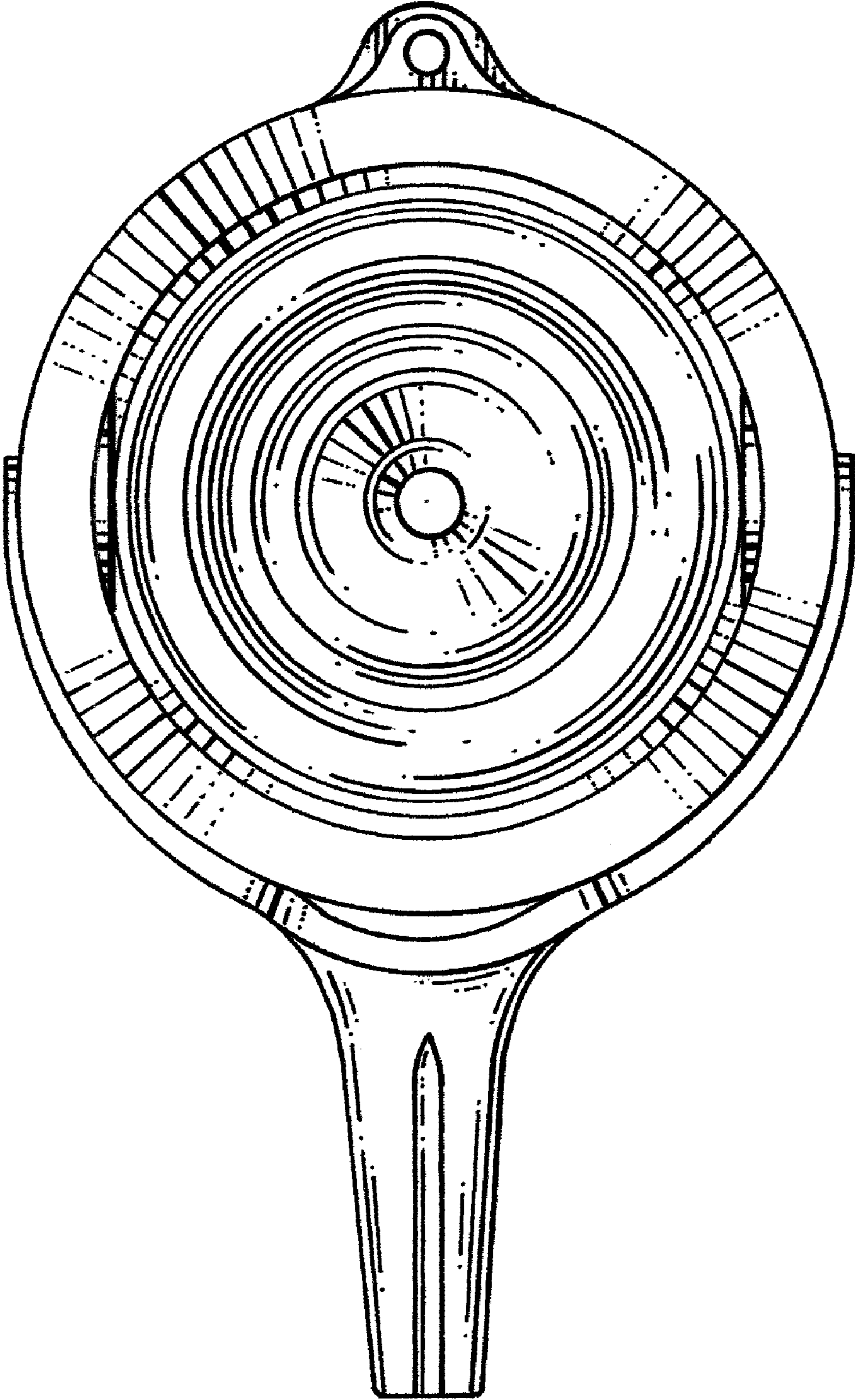


FIG. 2

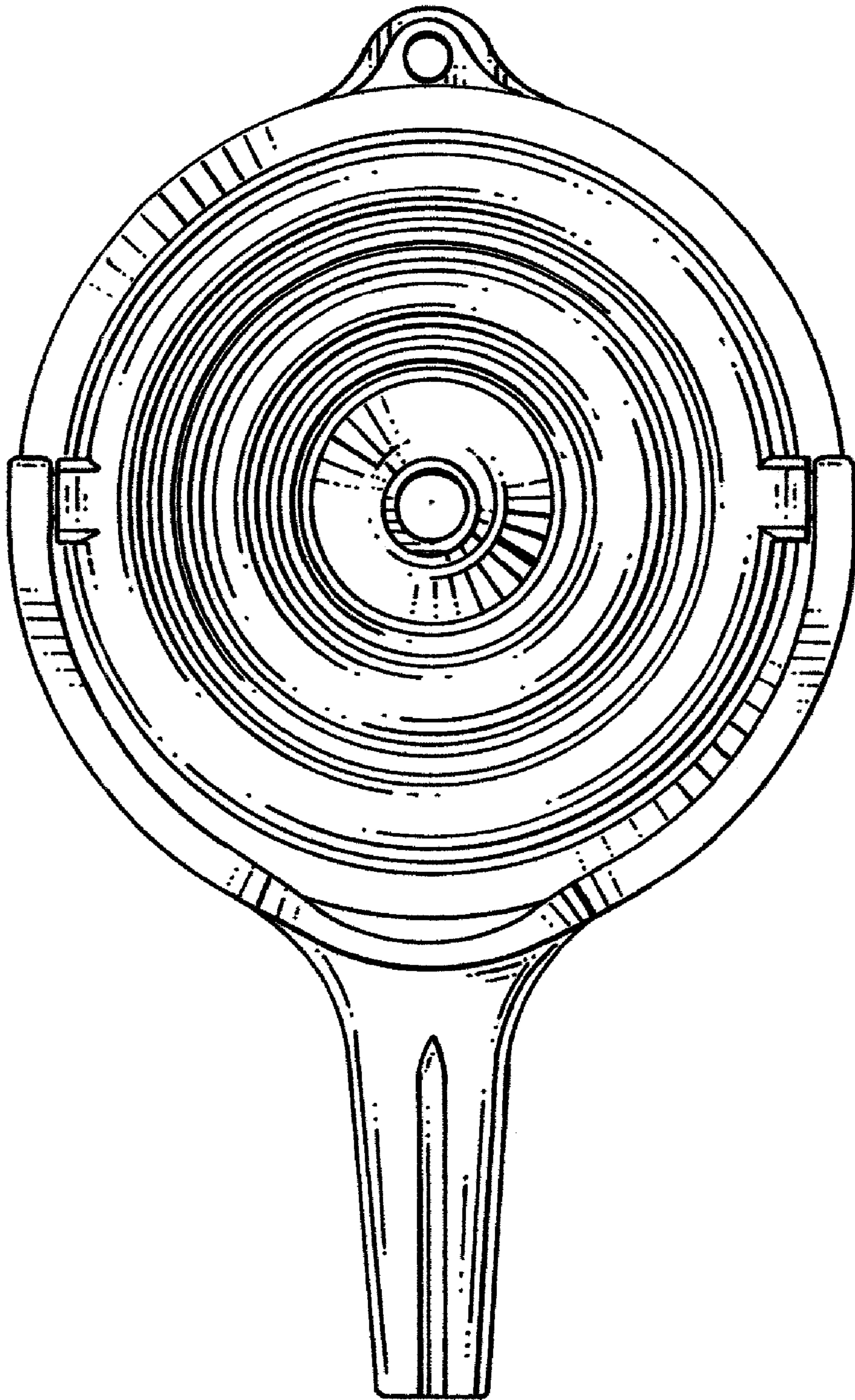


FIG. 3

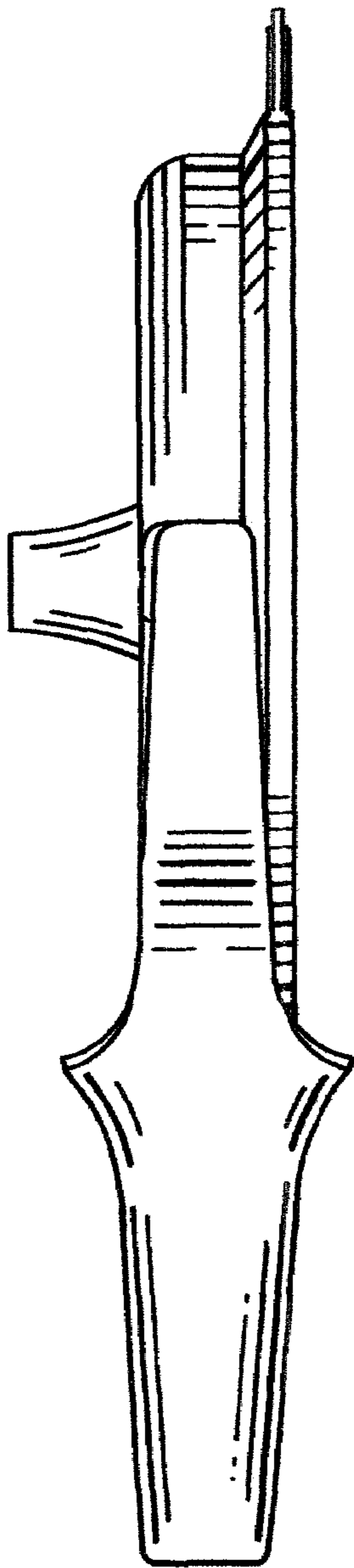


FIG. 4

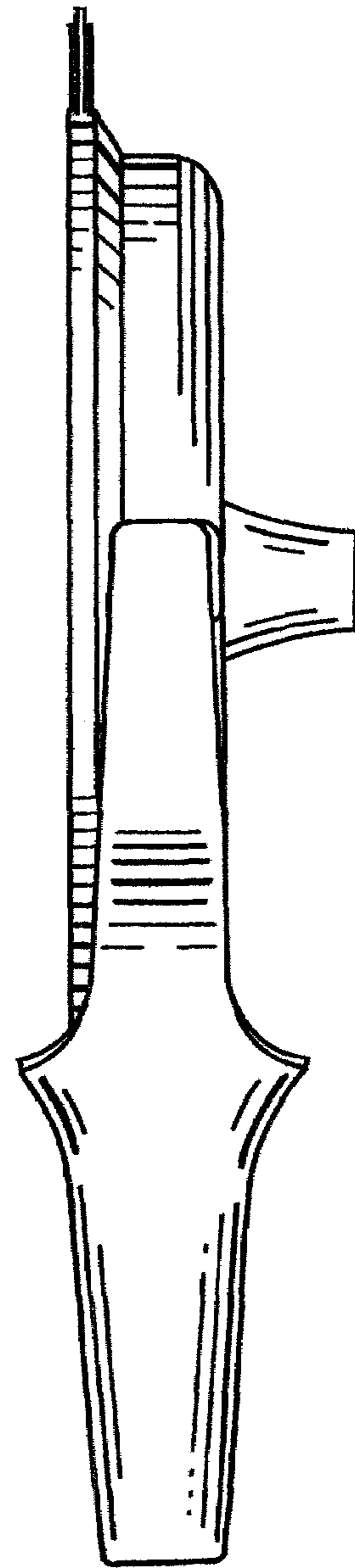


FIG. 5

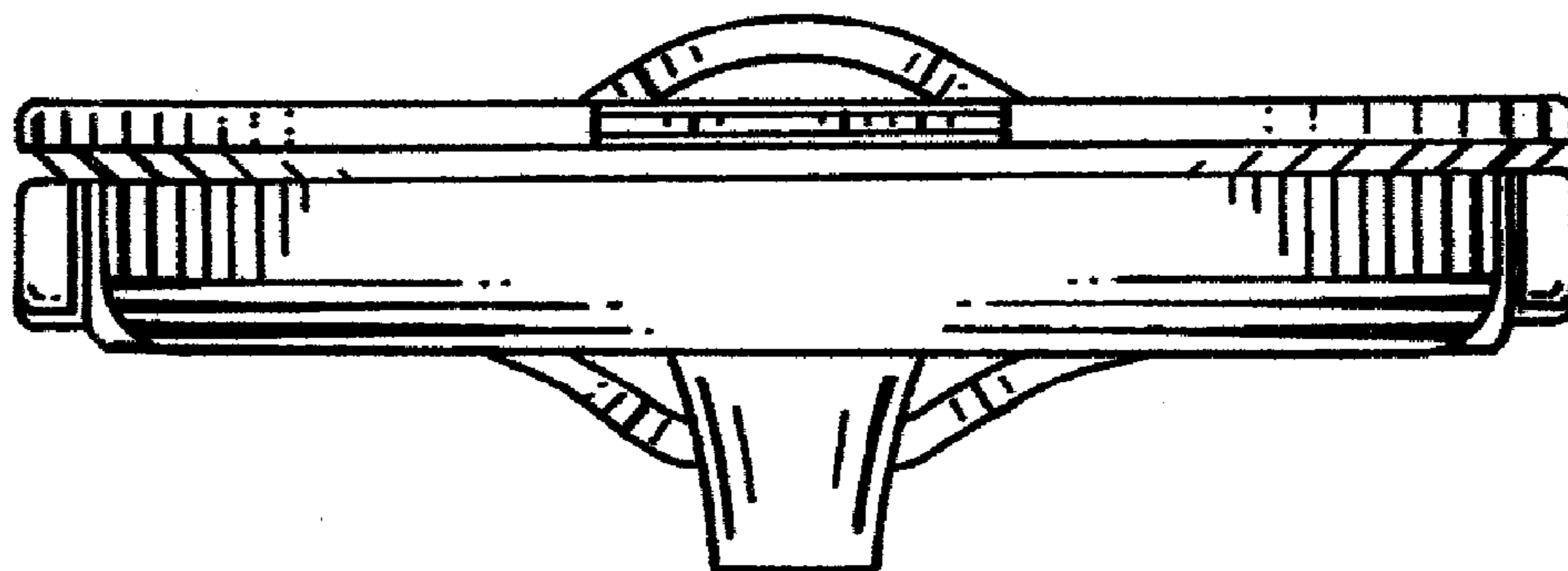


FIG. 6

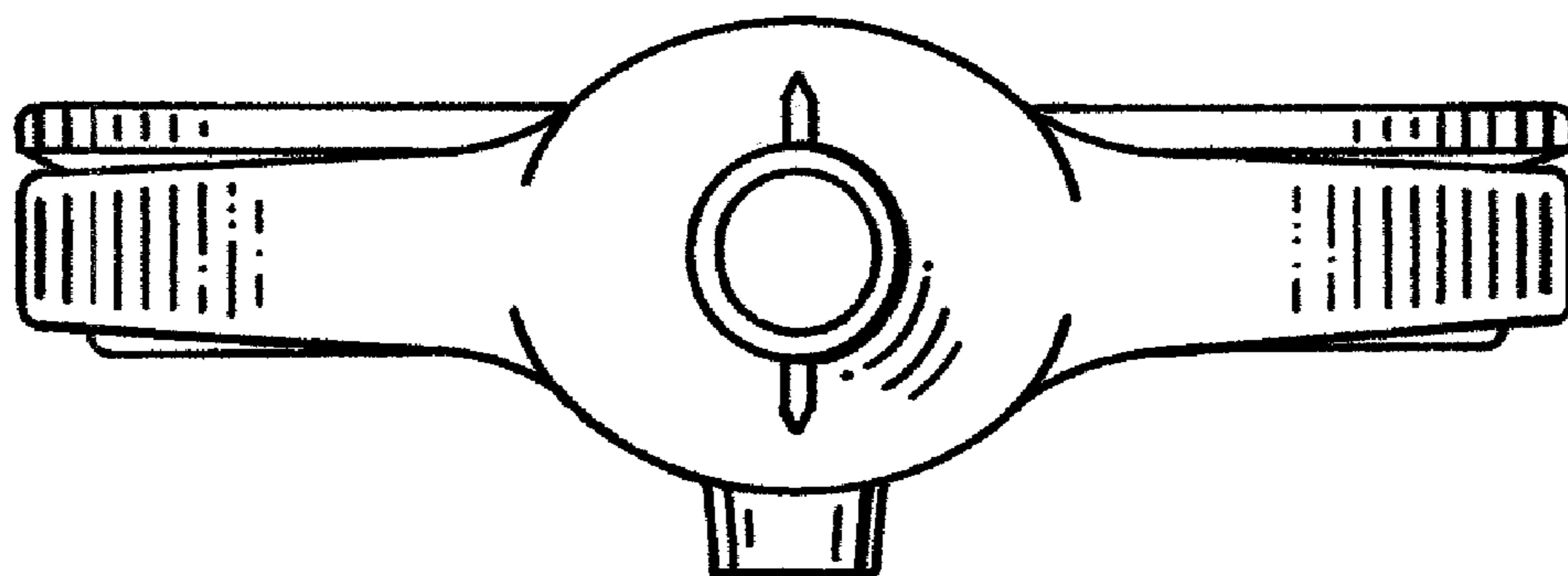


FIG. 7