

US00D566487S

(12) **United States Design Patent**
Seehoff et al.

(10) **Patent No.:** **US D566,487 S**

(45) **Date of Patent:** **** Apr. 15, 2008**

(54) **SANDWICH BREAD CRUST CUTTER**

(76) Inventors: **Gary Stanley Seehoff**, 1530 S. Lewis St., Anaheim, CA (US) 92805; **Bryan Craig Golden**, 1530 S. Lewis St., Anaheim, CA (US) 92805

(**) Term: **14 Years**

(21) Appl. No.: **29/282,430**

(22) Filed: **Jul. 20, 2007**

Related U.S. Application Data

(62) Division of application No. 29/249,551, filed on Oct. 12, 2006.

(51) **LOC (8) Cl.** **07-04**

(52) **U.S. Cl.** **D7/675**

(58) **Field of Classification Search** D7/672, D7/675-677, 354, 356; D1/106, 107, 126-128; 30/314-317, 301, 280, 303, 305, 306; 249/115, 249/135; 99/426

See application file for complete search history.

(56) **References Cited**

U.S. PATENT DOCUMENTS

3,780,978 A * 12/1973 Proul 249/135

D317,848 S * 7/1991 Kaiser D7/676
D323,918 S * 2/1992 Meyers et al. D1/106
D347,977 S * 6/1994 Becht D7/676
D349,016 S * 7/1994 Kaiser D7/676
D411,786 S * 7/1999 Cianci D7/675
D481,914 S * 11/2003 Short D7/675

* cited by examiner

Primary Examiner—Terry A Wallace

(57) **CLAIM**

We claim the ornamental design for the sandwich bread crust cutter, as shown.

DESCRIPTION

FIG. 1 is a top plan view of the sandwich bread crust cutter showing our new design;

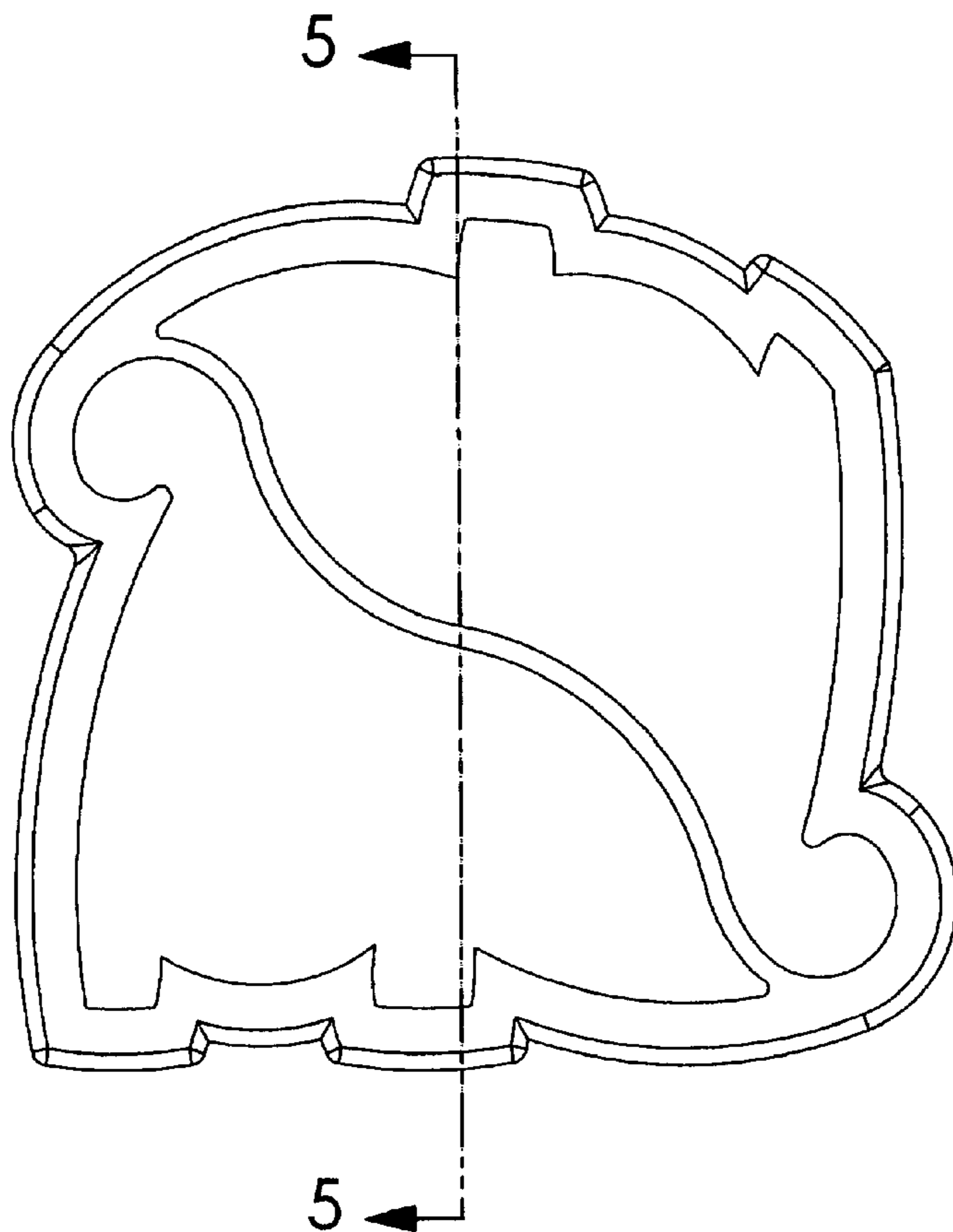
FIG. 2 is a side view thereof;

FIG. 3 is a bottom view thereof;

FIG. 4 is an isometric view thereof; and,

FIG. 5 is a section view through FIG. 1 thereof.

1 Claim, 5 Drawing Sheets



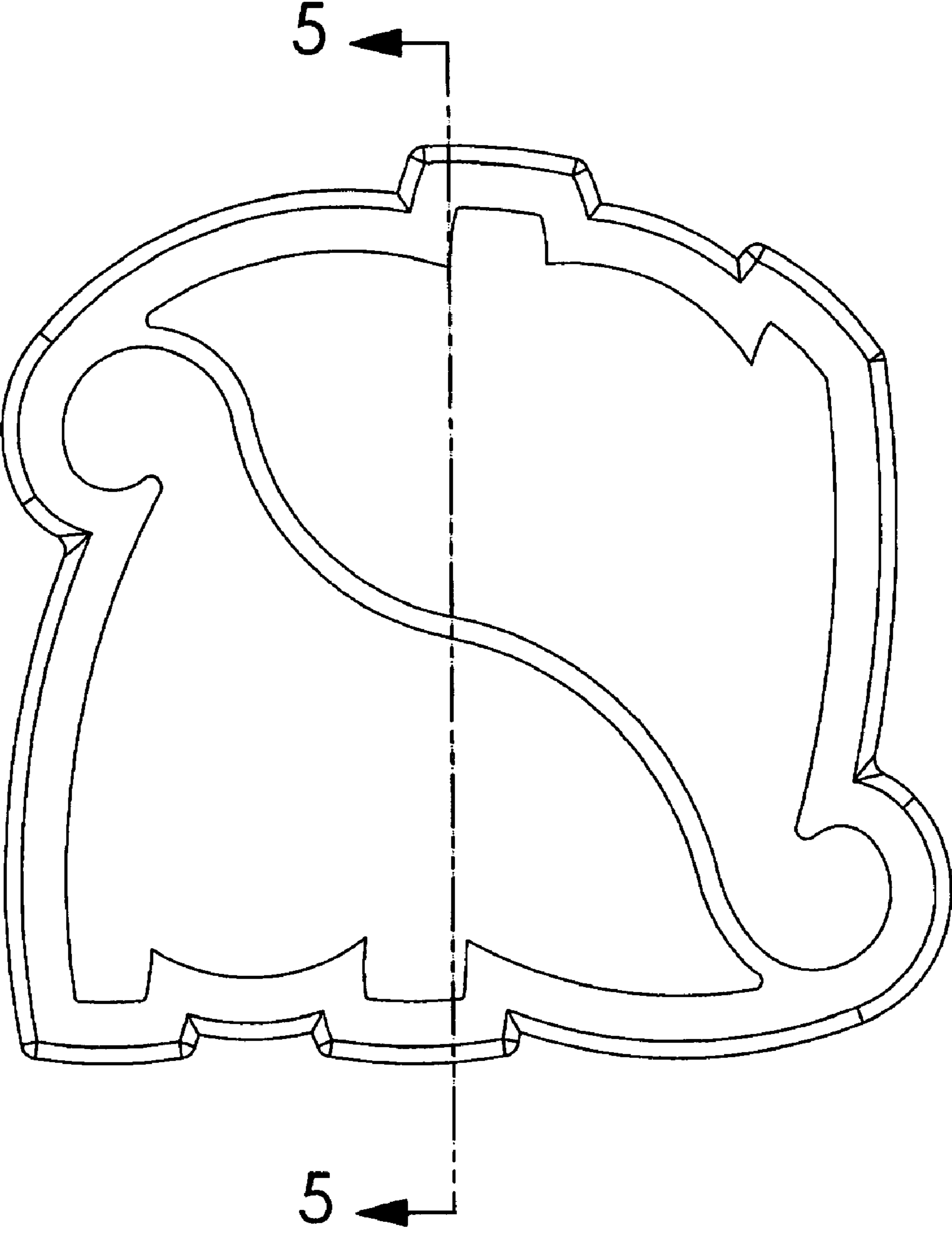


Fig 1

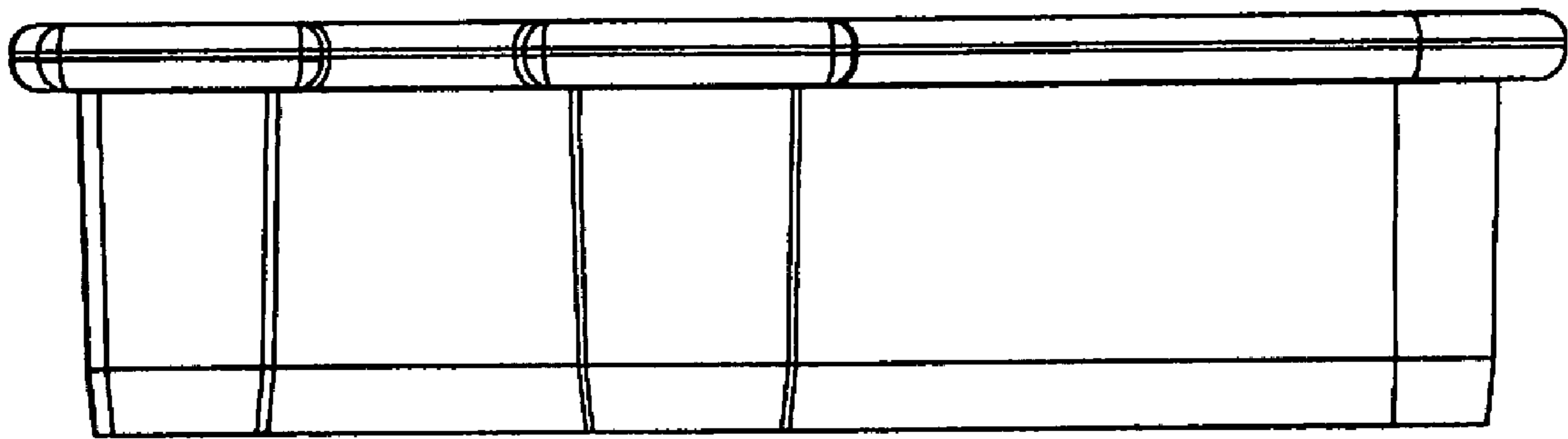


Fig. 2

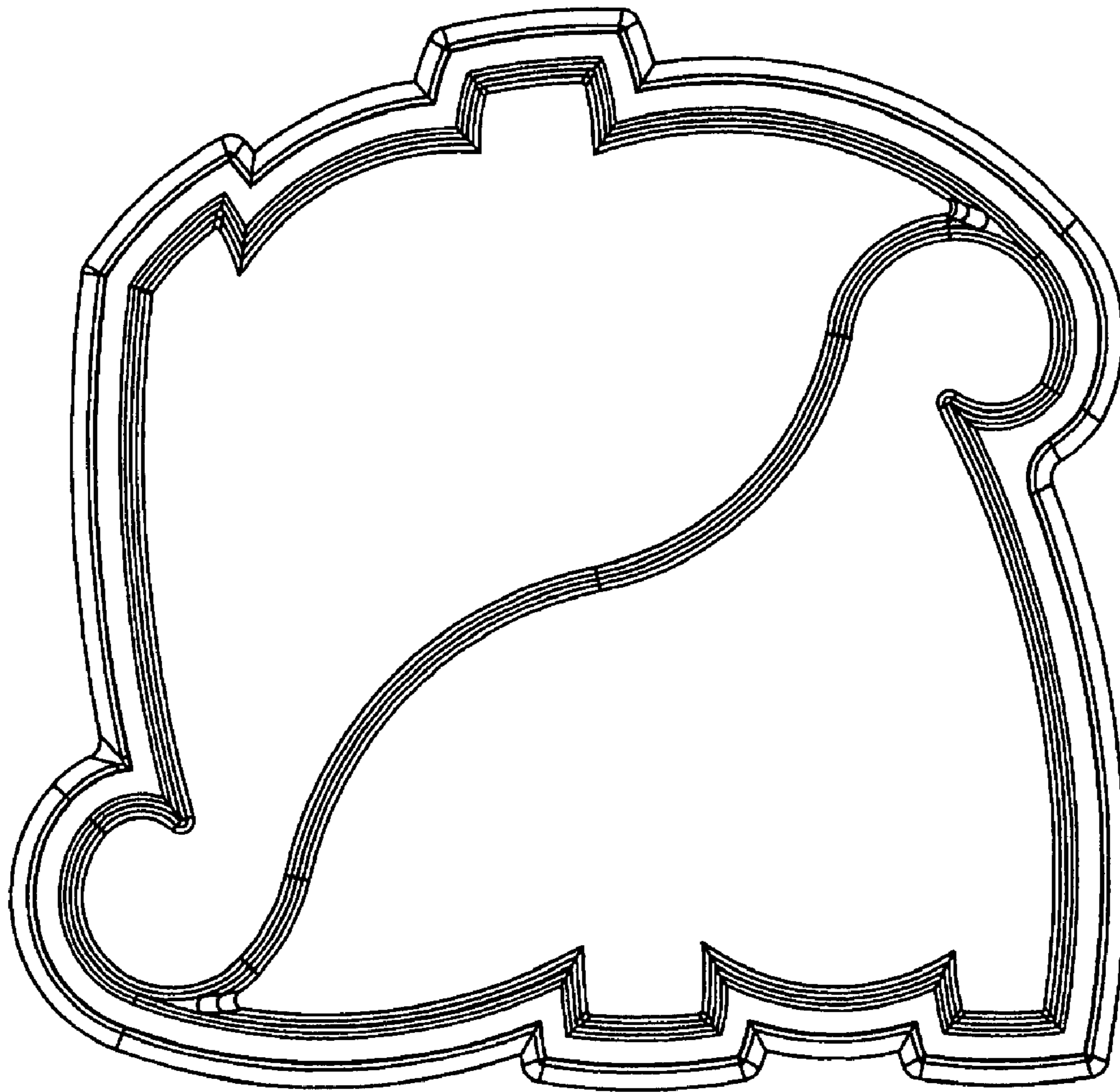


Fig. 3

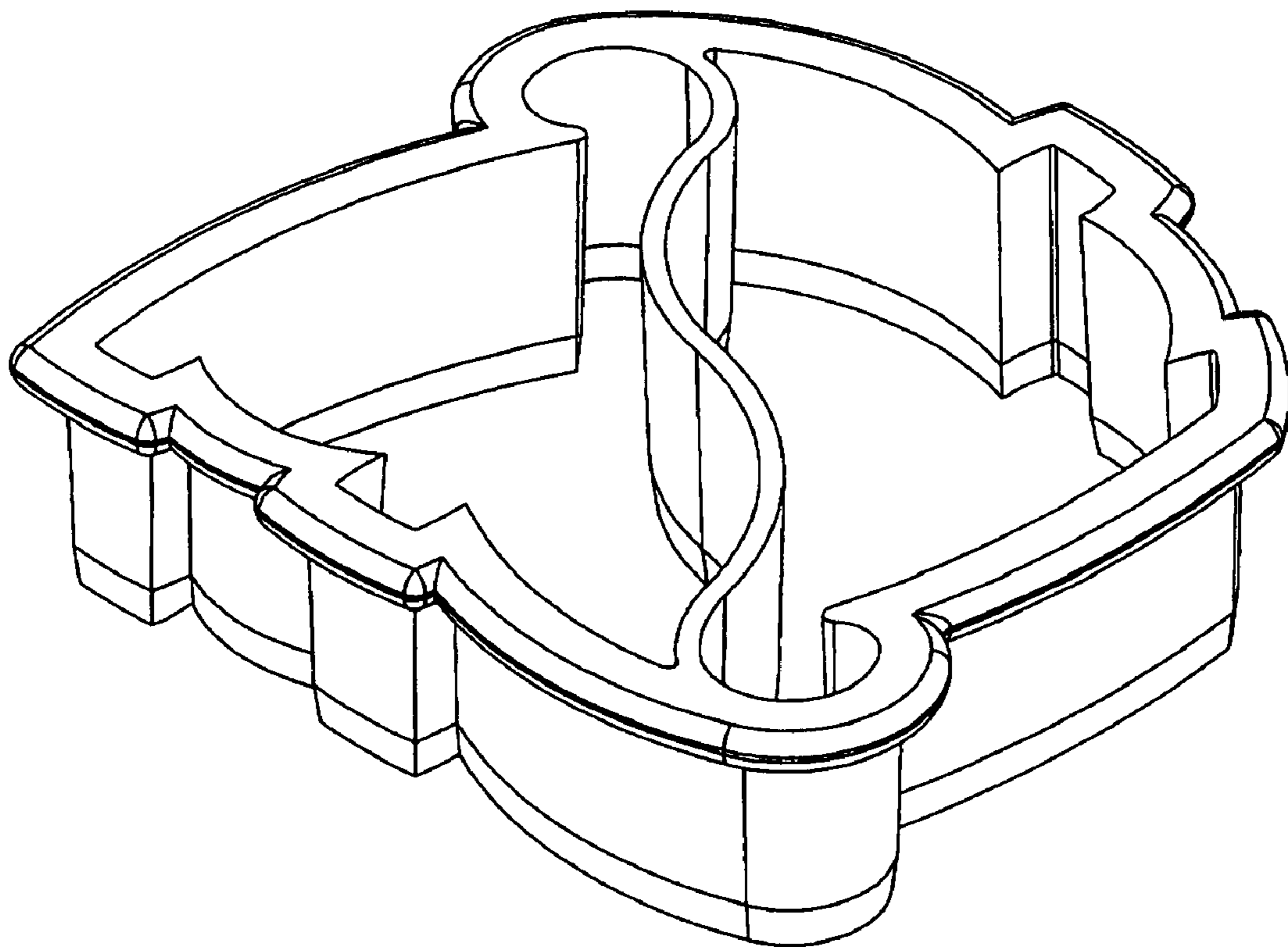
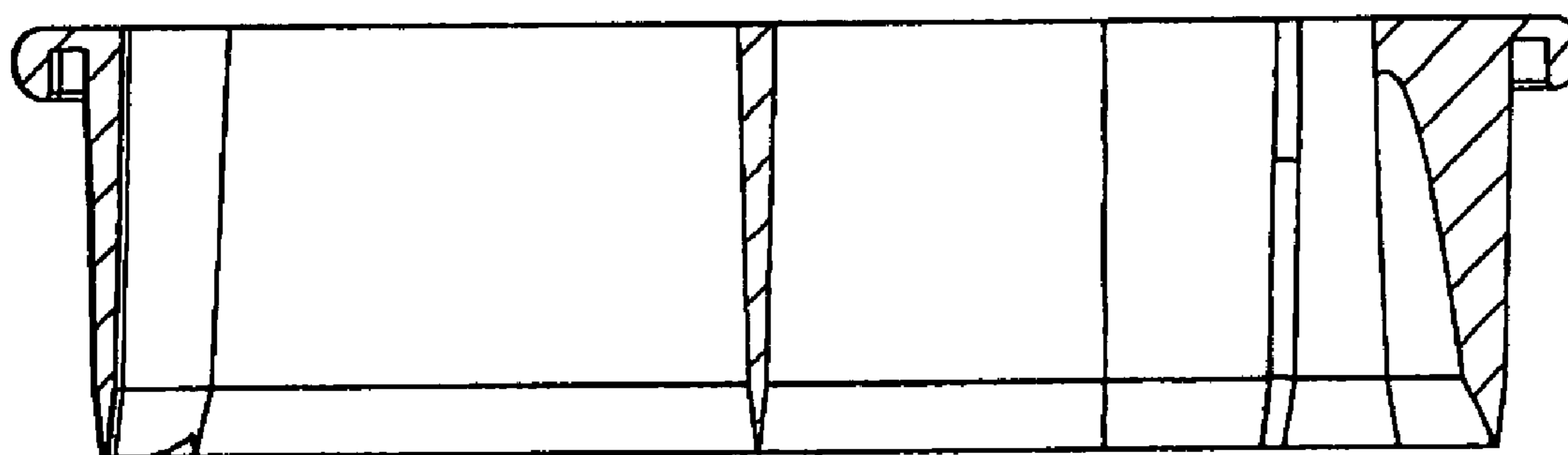


Fig. 4



SECTION 5-5

Fig. 5