



US00D566486S

(12) **United States Design Patent**
Wu

(10) **Patent No.:** **US D566,486 S**

(45) **Date of Patent:** **** Apr. 15, 2008**

(54) **JUICE EXTRACTOR APPLIANCE**

D439,808 S * 4/2001 McClean et al. D7/665
D489,949 S * 5/2004 Chung D7/665

(75) Inventor: **Hong Tian Wu**, Hong Kong (CN)

(73) Assignee: **Futton Metalware Industrial (HK) Company Limited**, Hong Kong (HK)

* cited by examiner

Primary Examiner—Terry A Wallace

(**) Term: **14 Years**

(21) Appl. No.: **29/274,558**

(57) **CLAIM**

(22) Filed: **May 2, 2007**

The ornamental design for a juice extractor appliance, as shown and described.

(30) **Foreign Application Priority Data**

Apr. 12, 2007 (HK) 0700962

DESCRIPTION

(51) **LOC (8) Cl.** **31-00**

(52) **U.S. Cl.** **D7/665**

(58) **Field of Classification Search** D7/665-668,
D7/373, 374, 381, 384; 99/501-513, 495,
99/499, 348, 357; 241/36, 37.5, 92, 100,
241/282.1

See application file for complete search history.

FIG. 1 is a perspective view of a juice extractor appliance showing my new design;

FIG. 2 is a top view thereof;

FIG. 3 is a front view thereof;

FIG. 4 is a bottom view thereof;

FIG. 5 is a rear view thereof;

FIG. 6 is a left side view thereof; and,

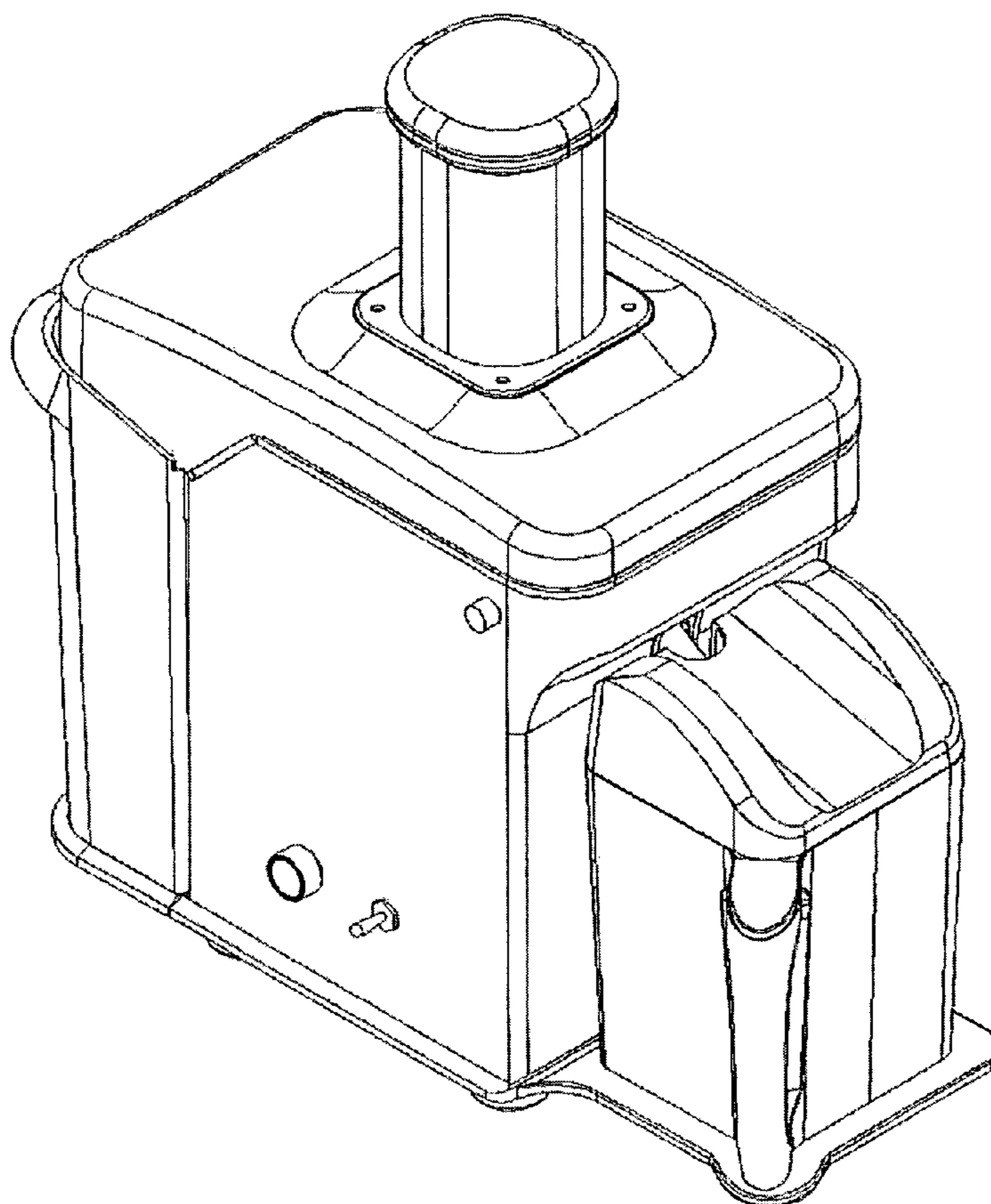
FIG. 7 is a right side view thereof.

(56) **References Cited**

U.S. PATENT DOCUMENTS

5,222,430 A * 6/1993 Wang 99/512

1 Claim, 7 Drawing Sheets



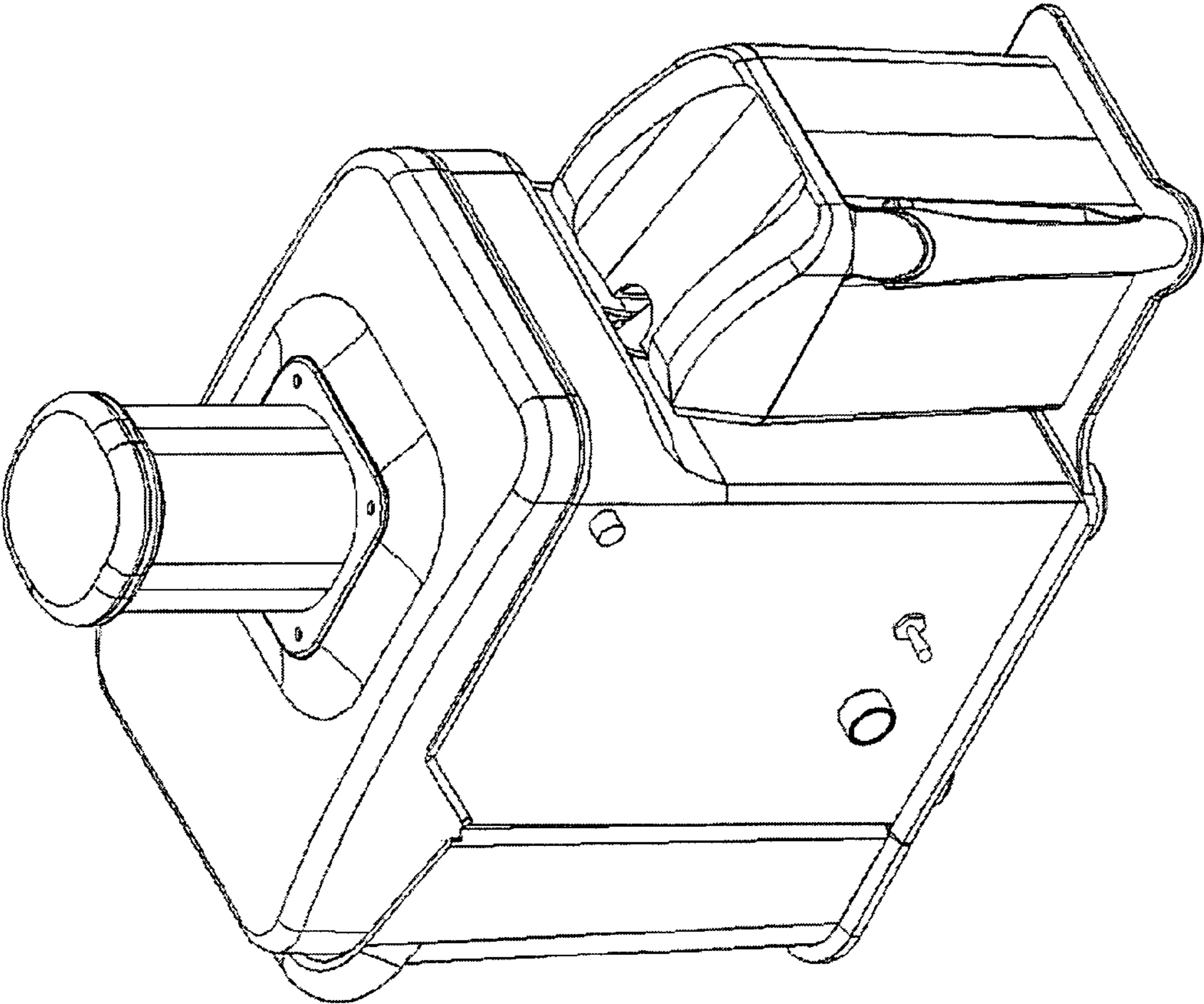


FIG-1

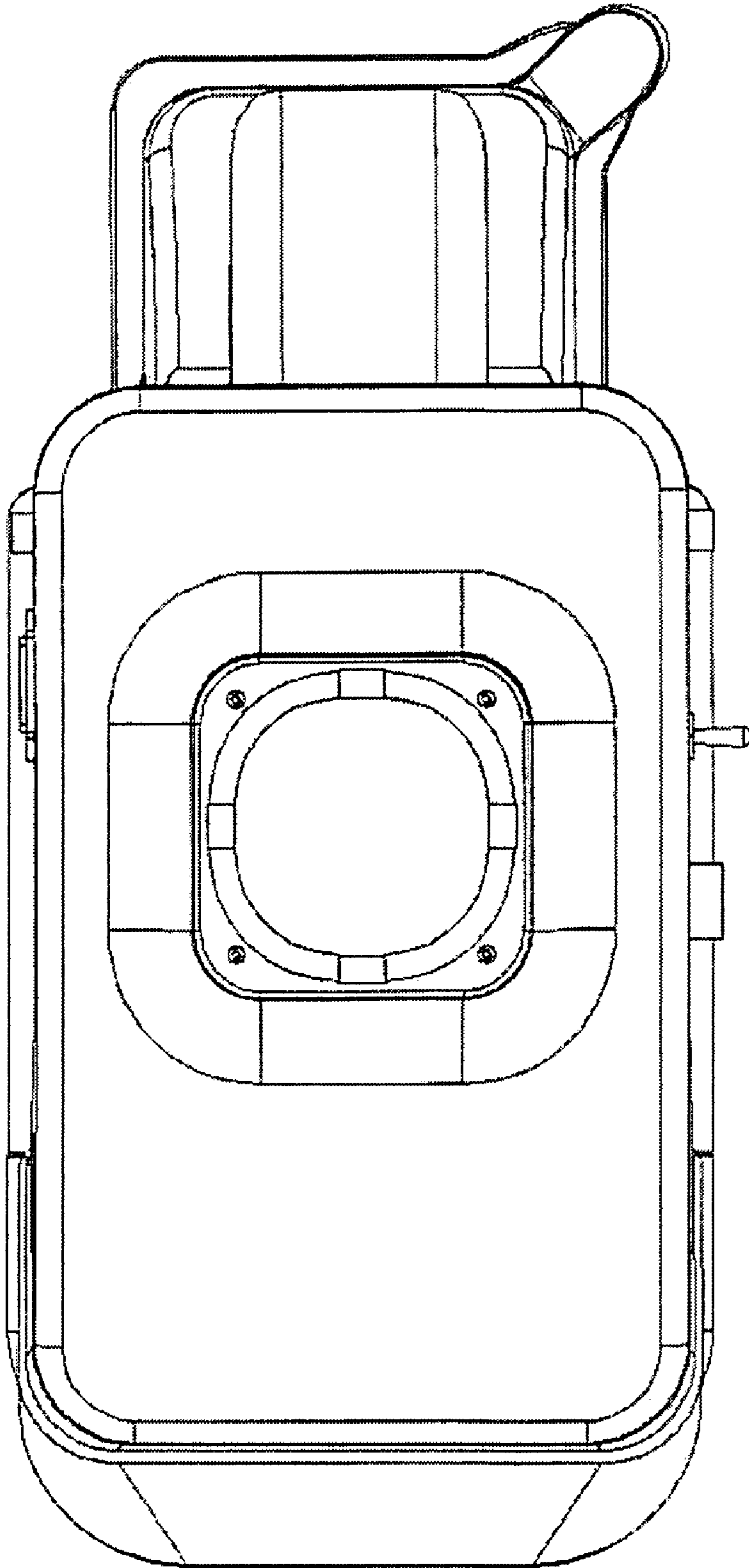


FIG-2

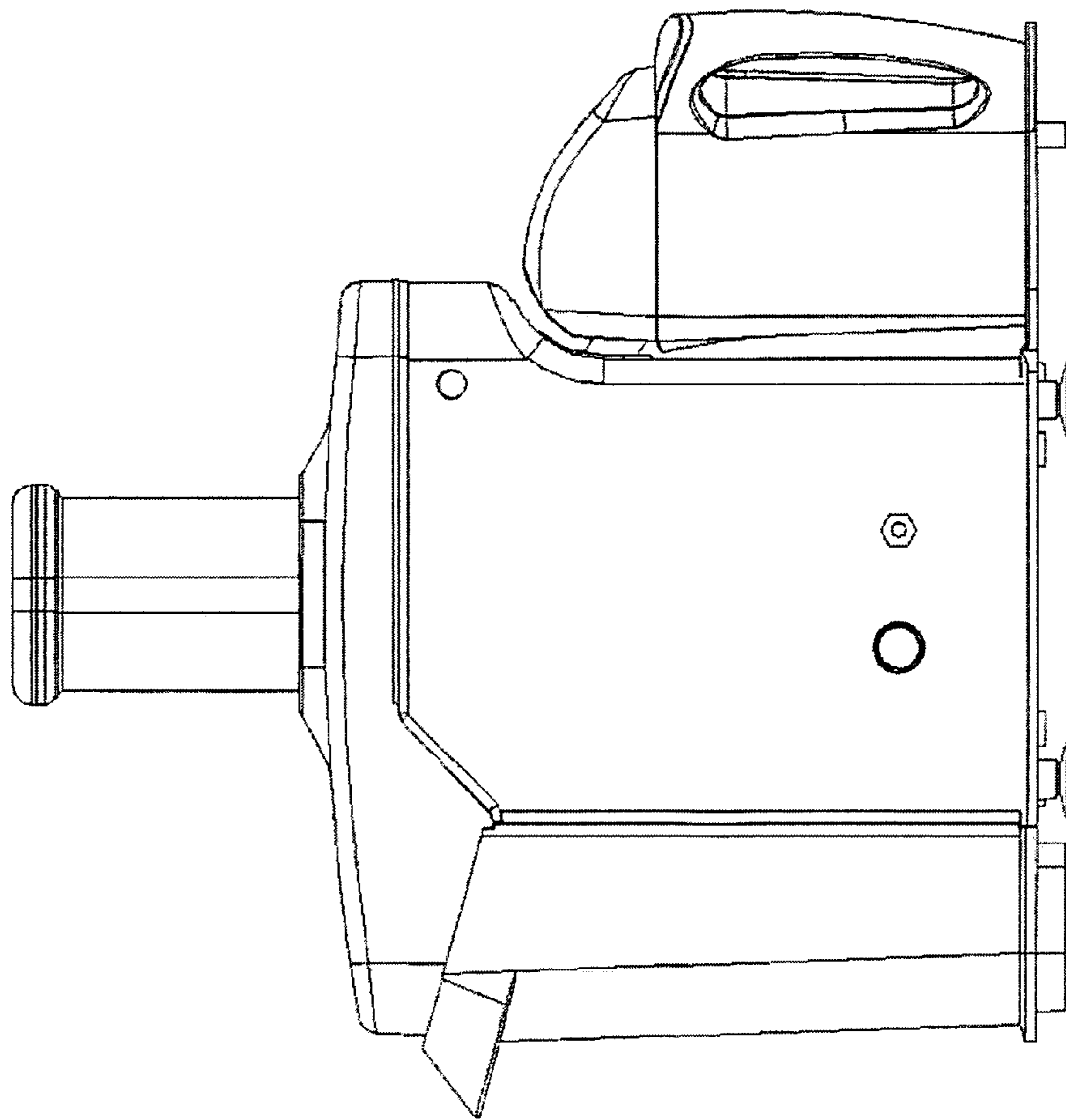


FIG-3

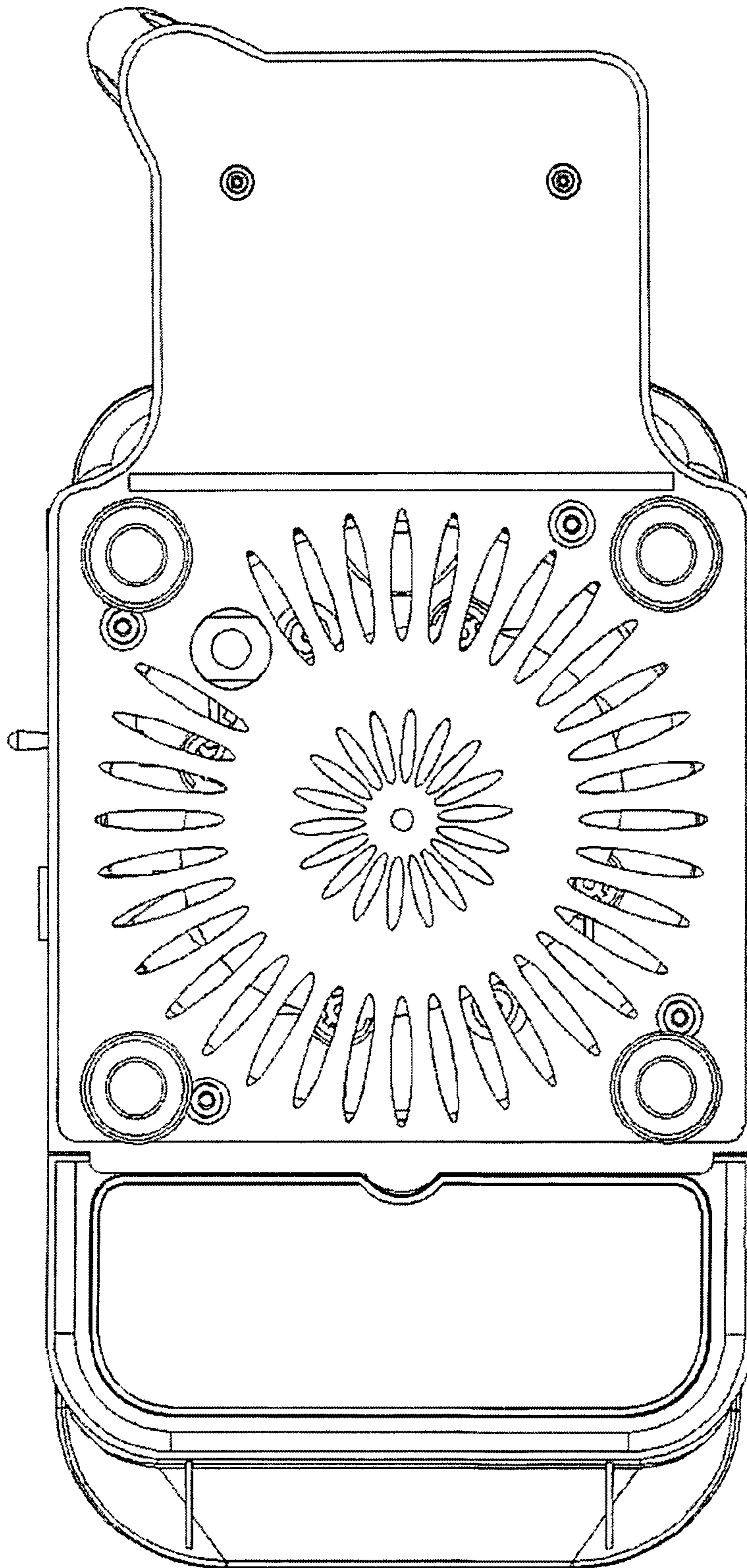


FIG-4

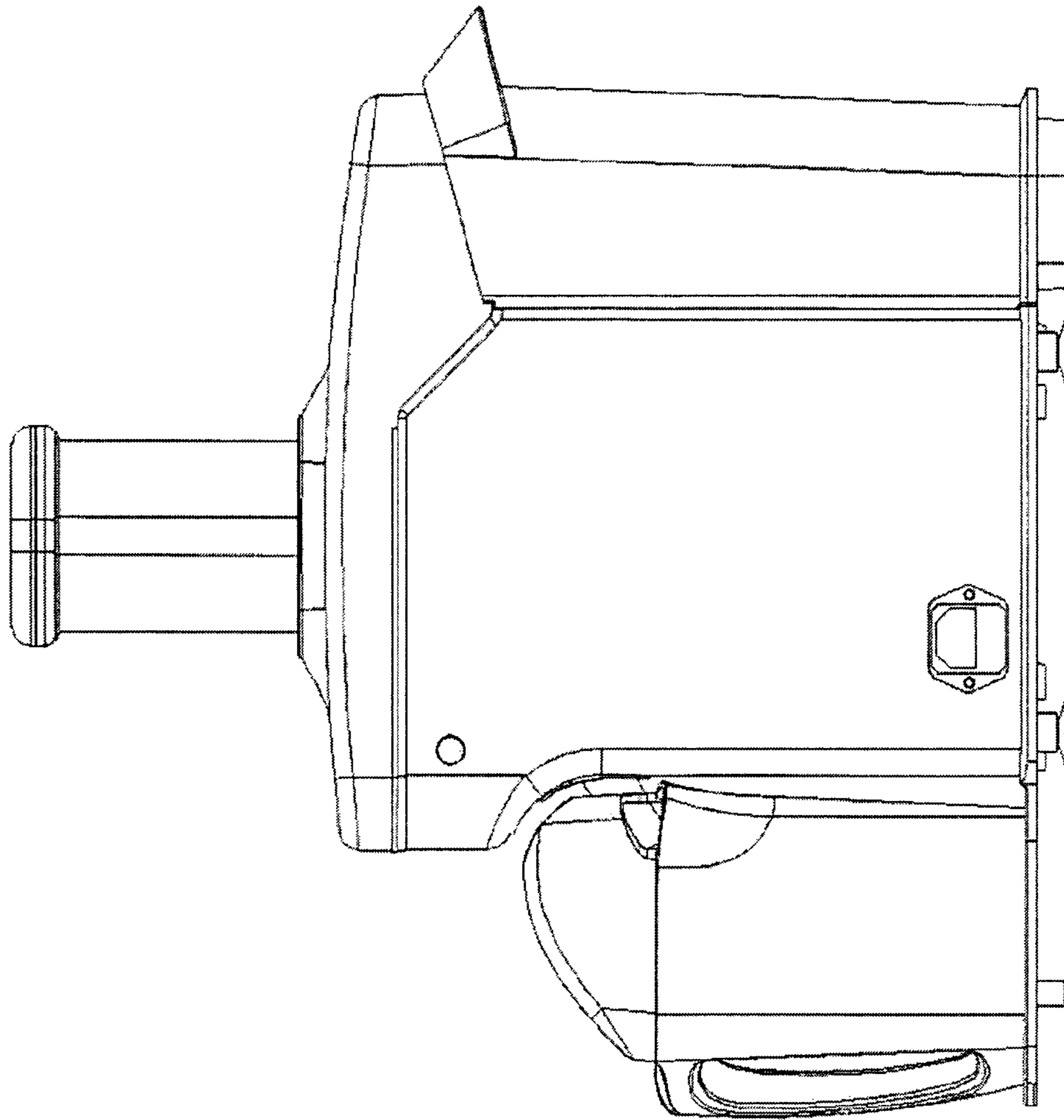


FIG-5

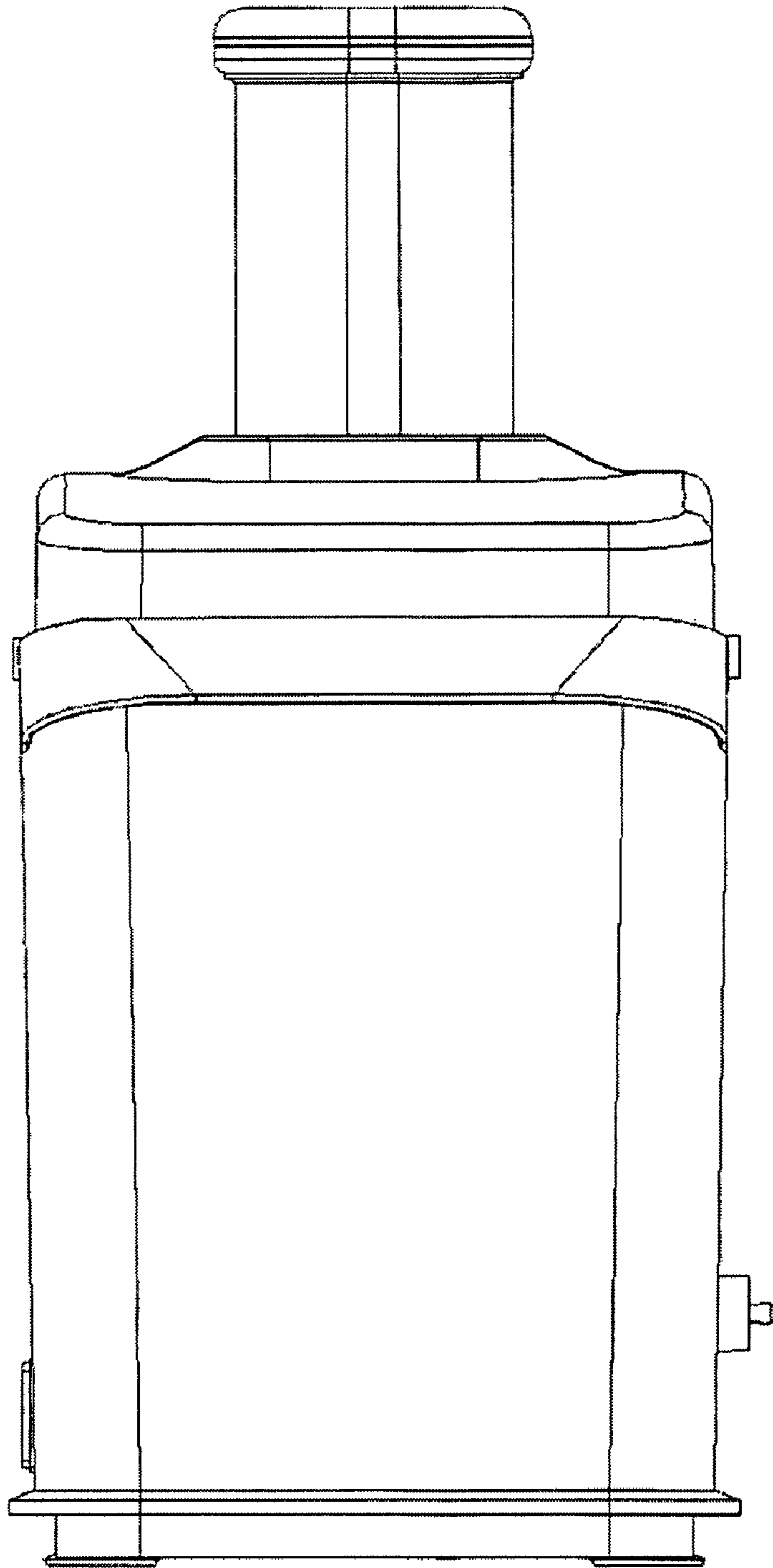


FIG-6

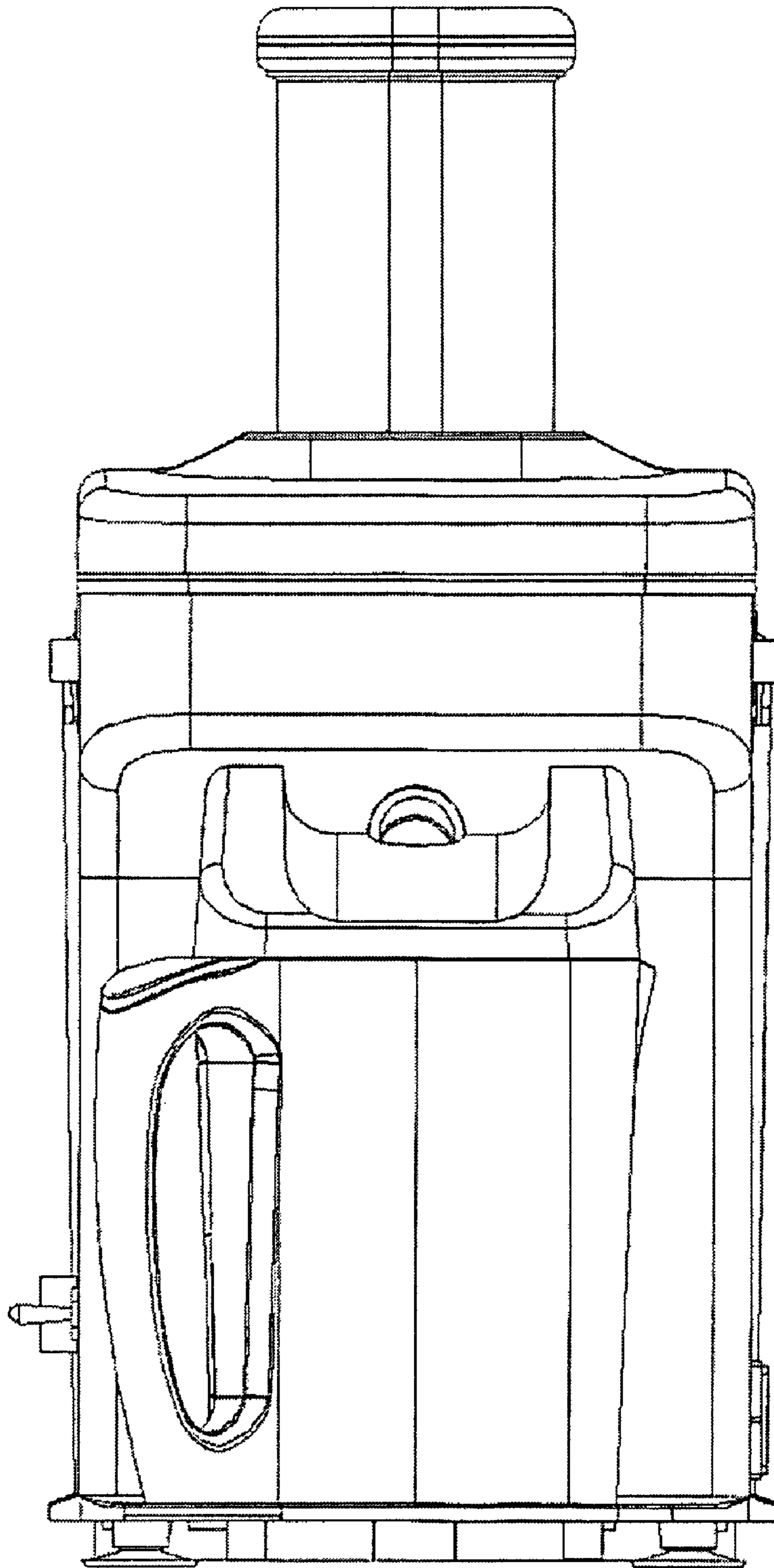


FIG-7