

US00D566480S

(12) **United States Design Patent** (10) **Patent No.:** **US D566,480 S**  
**Lawler** (45) **Date of Patent:** **\*\* Apr. 15, 2008**

(54) **BEVERAGE CONTAINER HOLDER**

(76) Inventor: **Jamie J. Lawler**, 10423 S. Seeley Ave.,  
Chicago, IL (US) 60643-2630

(\*\*) Term: **14 Years**

(21) Appl. No.: **29/288,041**

(22) Filed: **May 29, 2007**

(51) **LOC (8) Cl.** ..... **07-06**

(52) **U.S. Cl.** ..... **D7/620; D7/704**

(58) **Field of Classification Search** ..... D7/619.1-625,  
D7/704; D6/417; 248/311.2, 146, 314, 125.1,  
248/156, 304, 153; 47/41.14, 39; 211/181.1  
See application file for complete search history.

(56) **References Cited**

**U.S. PATENT DOCUMENTS**

D178,752 S *	9/1956	Berg	.....	D7/704
D216,690 S *	3/1970	Robak	.....	D7/704
4,152,861 A *	5/1979	Miller	.....	248/156
4,334,661 A *	6/1982	Pitt	.....	248/146
D286,591 S	11/1986	Russell		
D307,692 S	5/1990	Shoup		
D337,487 S	7/1993	Ramsey et al.		
5,474,273 A	12/1995	Vinal		

5,570,863 A	11/1996	Cooper		
5,823,496 A	10/1998	Foley et al.		
5,855,286 A *	1/1999	Zaid	.....	211/181.1
6,575,417 B1	6/2003	Krommenakker		
6,588,723 B1 *	7/2003	Moran, III	.....	248/156
6,595,377 B1 *	7/2003	Hetu	.....	47/39
6,732,985 B1	5/2004	Cantrell		

\* cited by examiner

*Primary Examiner*—Terry A Wallace

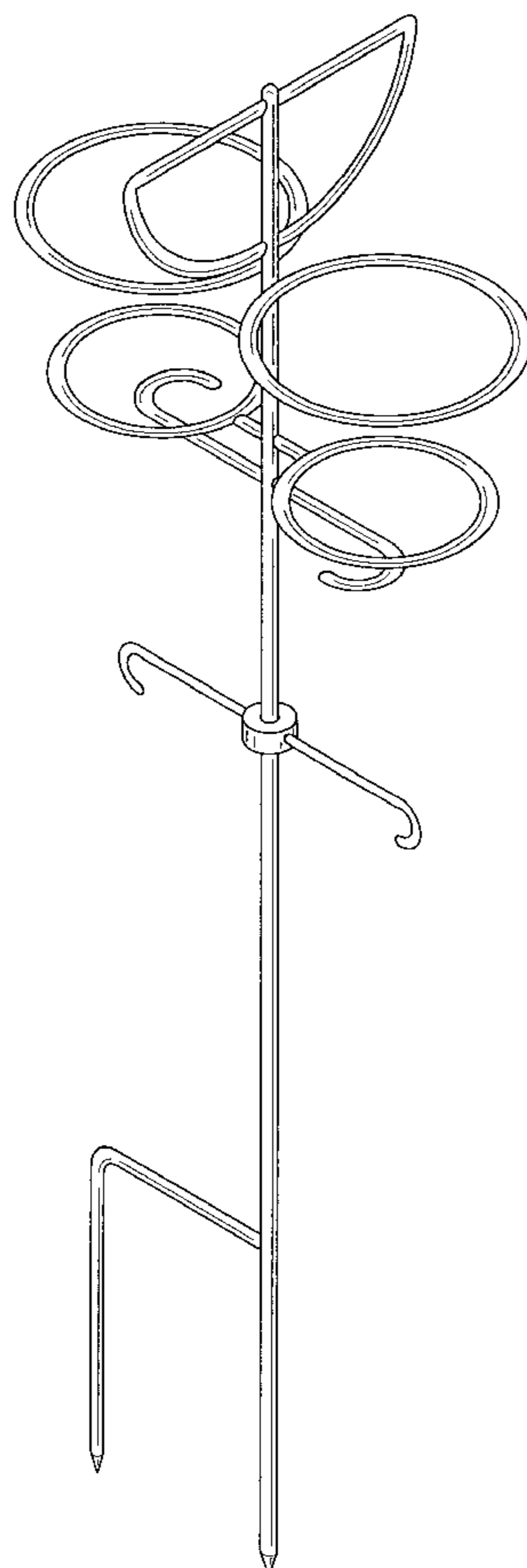
(57) **CLAIM**

The ornamental design for a beverage container holder, as shown and described.

**DESCRIPTION**

FIG. 1 is a front view of the beverage container holder;  
 FIG. 2 is a right side view of the beverage container holder;  
 FIG. 3 is a left side view of the beverage container holder;  
 FIG. 4 is a top view of the beverage container holder; and  
 FIG. 5 is a bottom view of the beverage container holder;  
 and,  
 FIG. 6 is an isometric view of the beverage container holder.

**1 Claim, 4 Drawing Sheets**



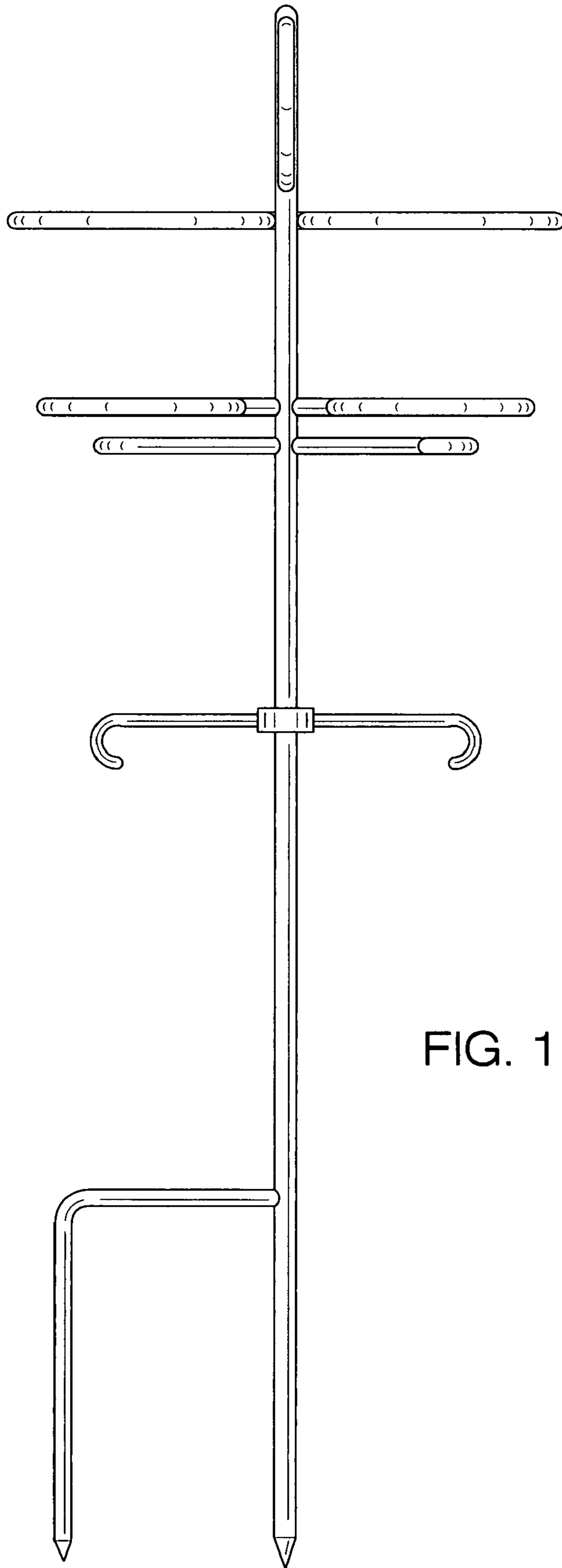


FIG. 1

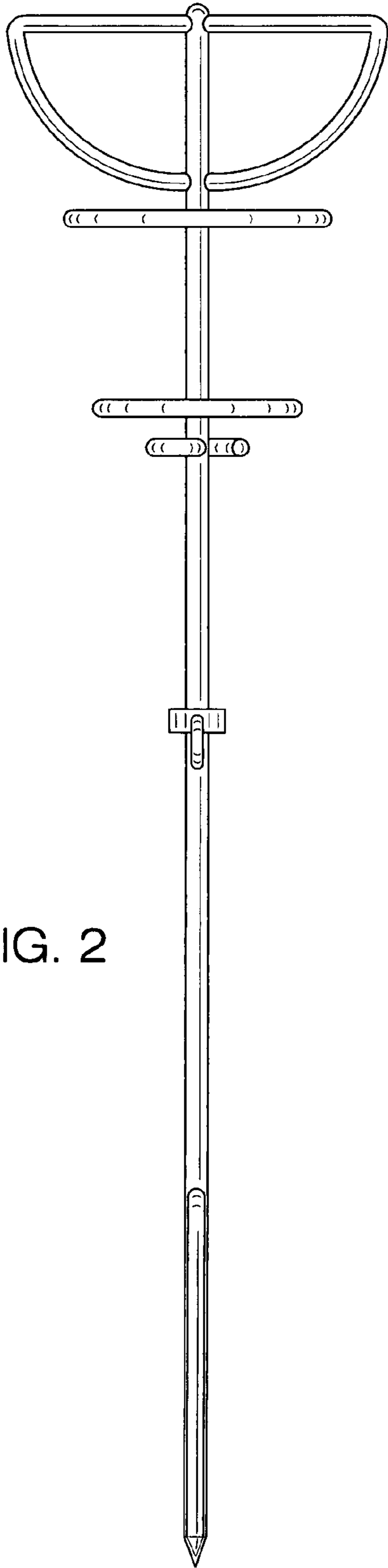


FIG. 2

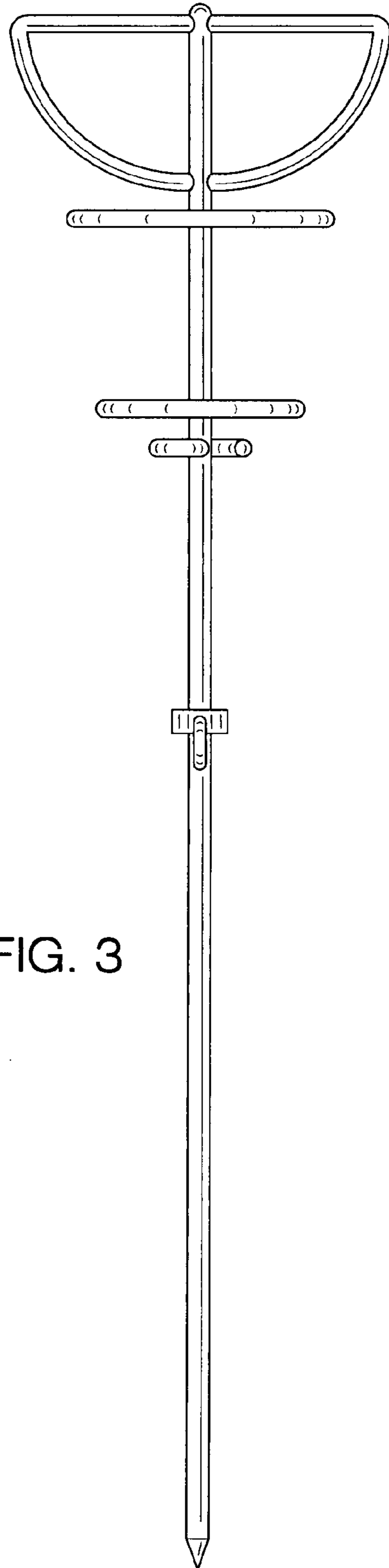


FIG. 3

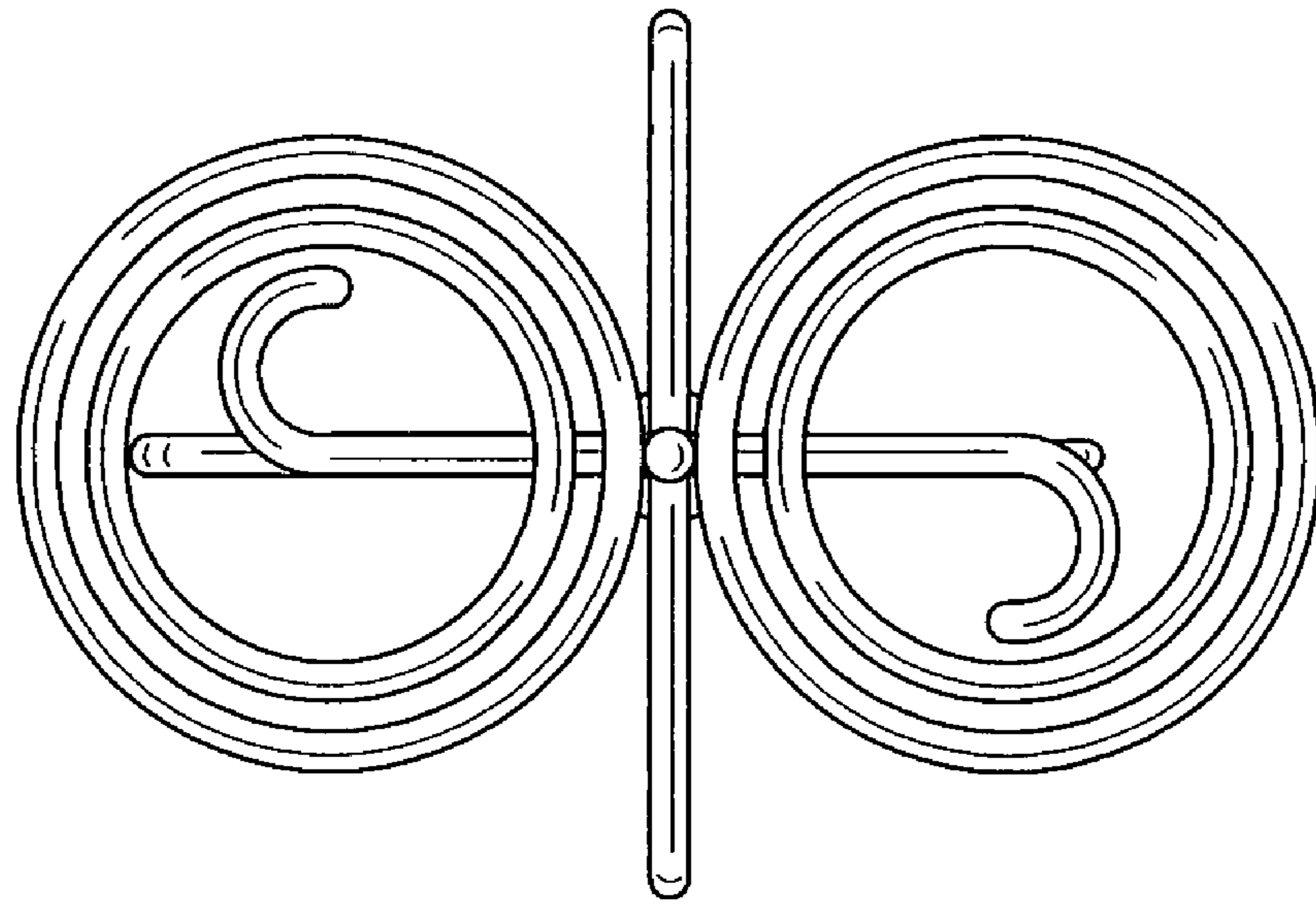


FIG. 4

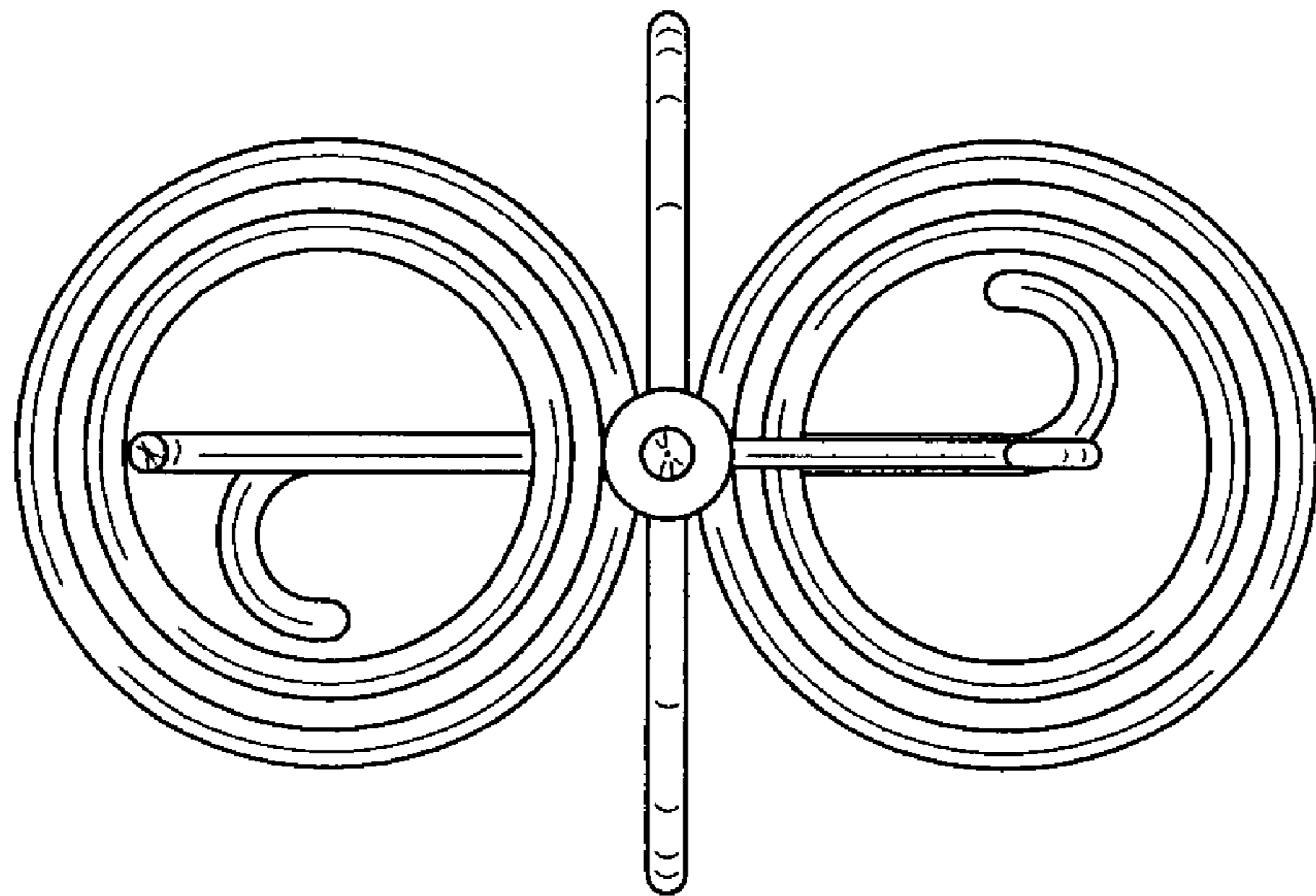


FIG. 5

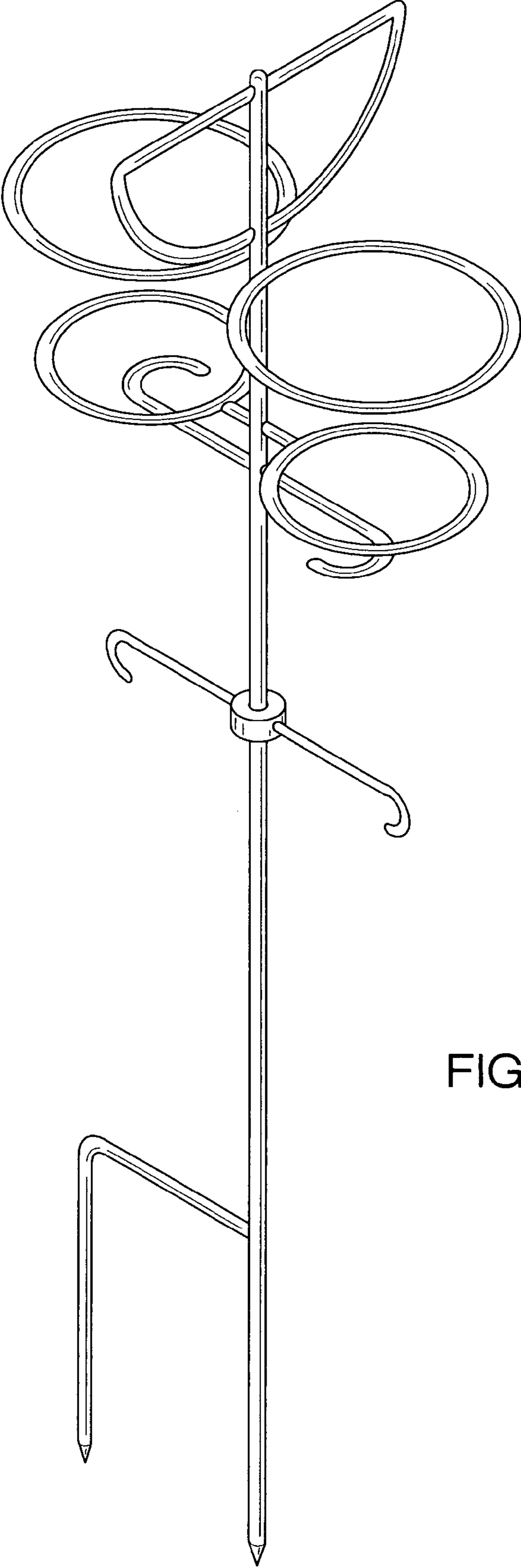


FIG. 6