



US00D566479S

(12) **United States Design Patent**
Kabalin

(10) **Patent No.:** **US D566,479 S**

(45) **Date of Patent:** **** Apr. 15, 2008**

(54) **ICE BOX**

(76) Inventor: **Paul Kabalin**, 18874 SE. Jupiter River Dr., Jupiter, FL (US) 33458

(**) Term: **14 Years**

(21) Appl. No.: **29/280,369**

(22) Filed: **May 24, 2007**

(51) **LOC (8) Cl.** **07-01**

(52) **U.S. Cl.** **D7/605; D3/273**

(58) **Field of Classification Search** D7/603-608,
D7/629; D3/273, 274; 62/457.1-457.9,
62/371, 372; 220/592.03, 592.09, 915.1,
220/915.2, 780-806

See application file for complete search history.

(56) **References Cited**

U.S. PATENT DOCUMENTS

D407,609 S *	4/1999	Rausch	D7/605
D420,860 S *	2/2000	Golichowski et al.	D7/605
D427,769 S *	7/2000	Zimmerman	D3/302
D439,406 S *	3/2001	Zimmerman	D3/273
D480,872 S *	10/2003	Welsh et al.	D3/302

* cited by examiner

Primary Examiner—Terry A Wallace

(74) *Attorney, Agent, or Firm*—McHale & Slavin, P.A.

(57) **CLAIM**

The ornamental design for an ice box, as shown and described.

DESCRIPTION

FIG. 1 is a top perspective view of the ice box of the instant invention;

FIG. 2 is a front view thereof;

FIG. 3 is a rear view thereof;

FIG. 4 is a right side view thereof;

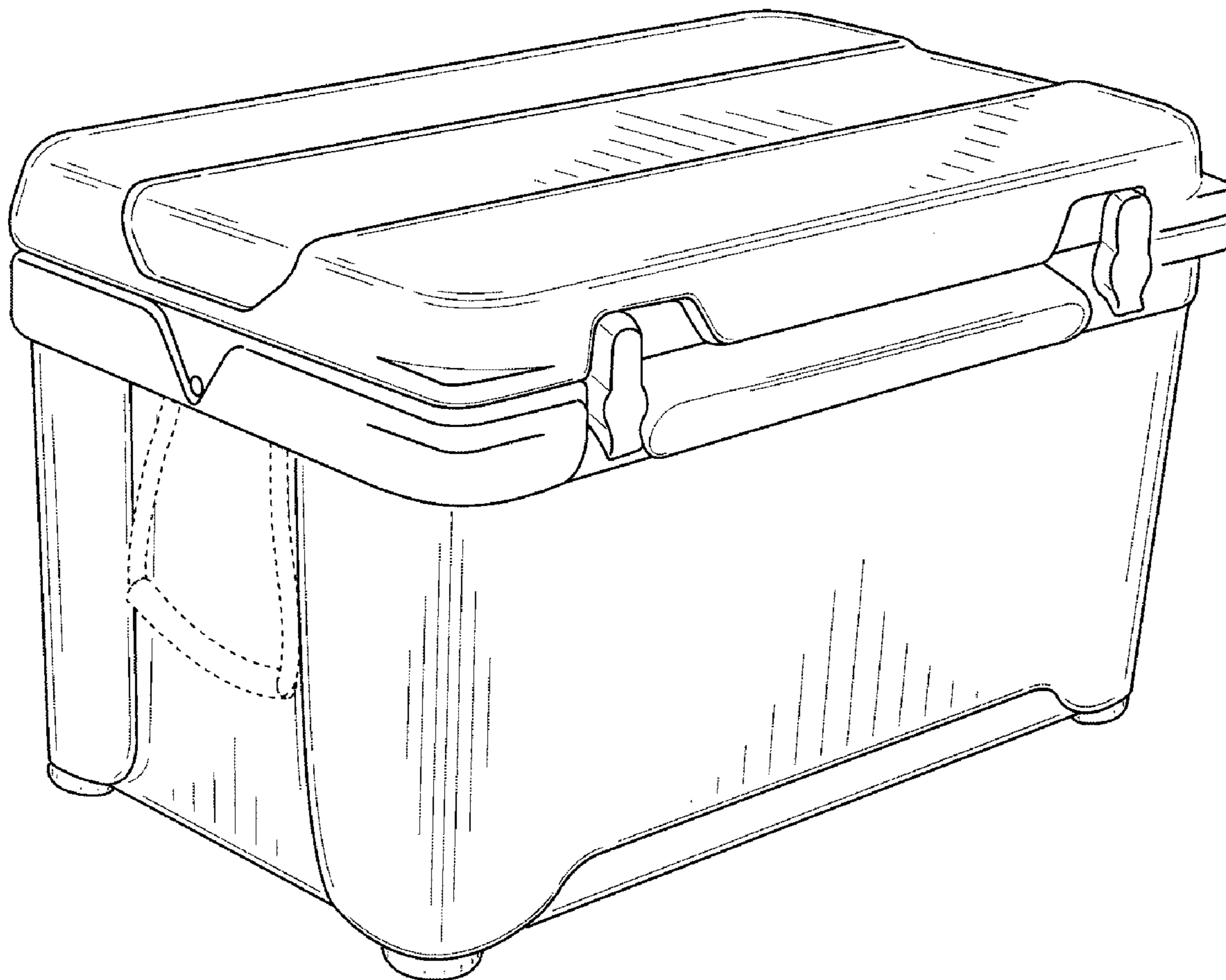
FIG. 5 is a left side view thereof;

FIG. 6 is a top view thereof; and,

FIG. 7 is a bottom view thereof.

The broken lines are for illustrative purposes only and form no part of the claimed design.

1 Claim, 7 Drawing Sheets



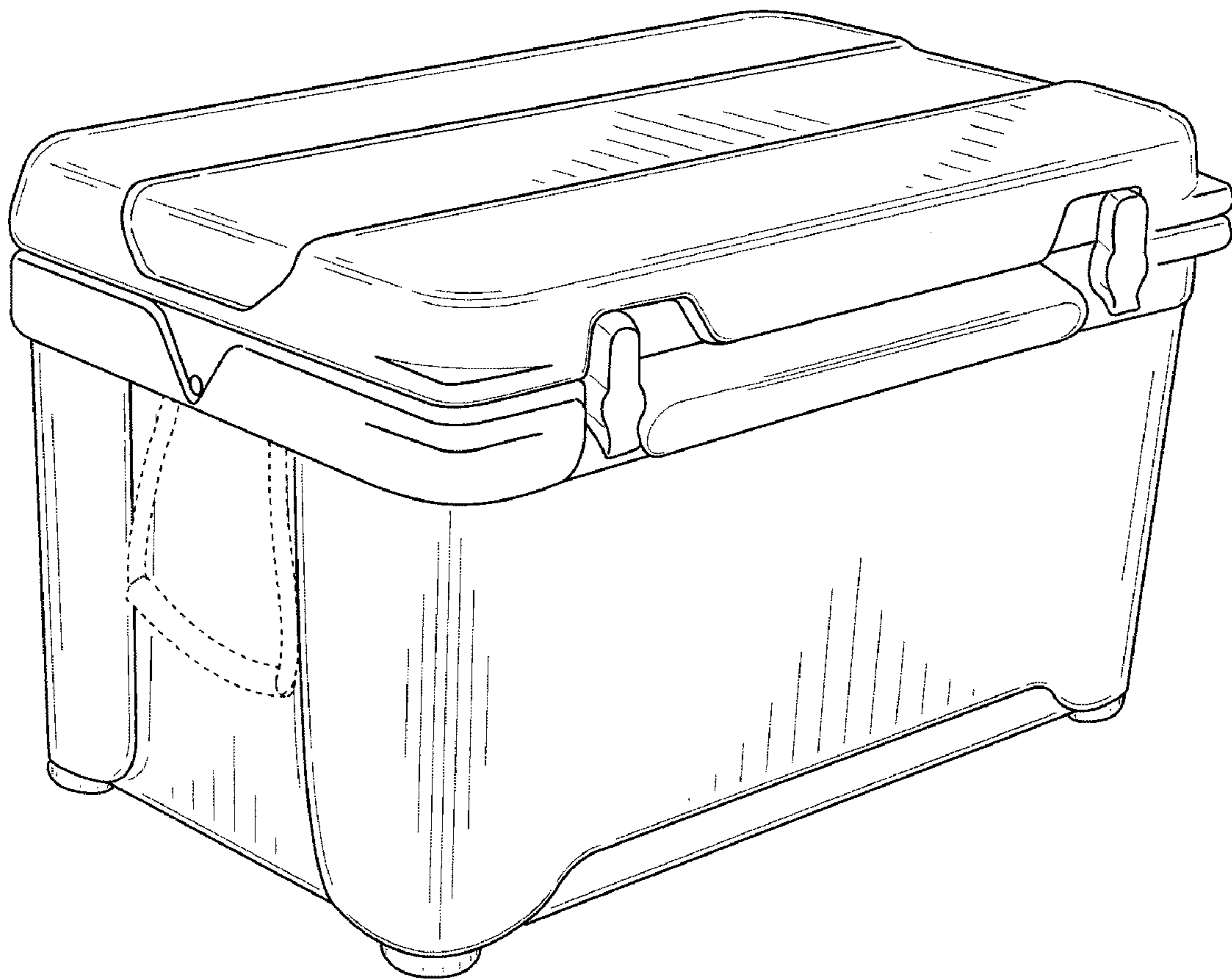


FIG. 1

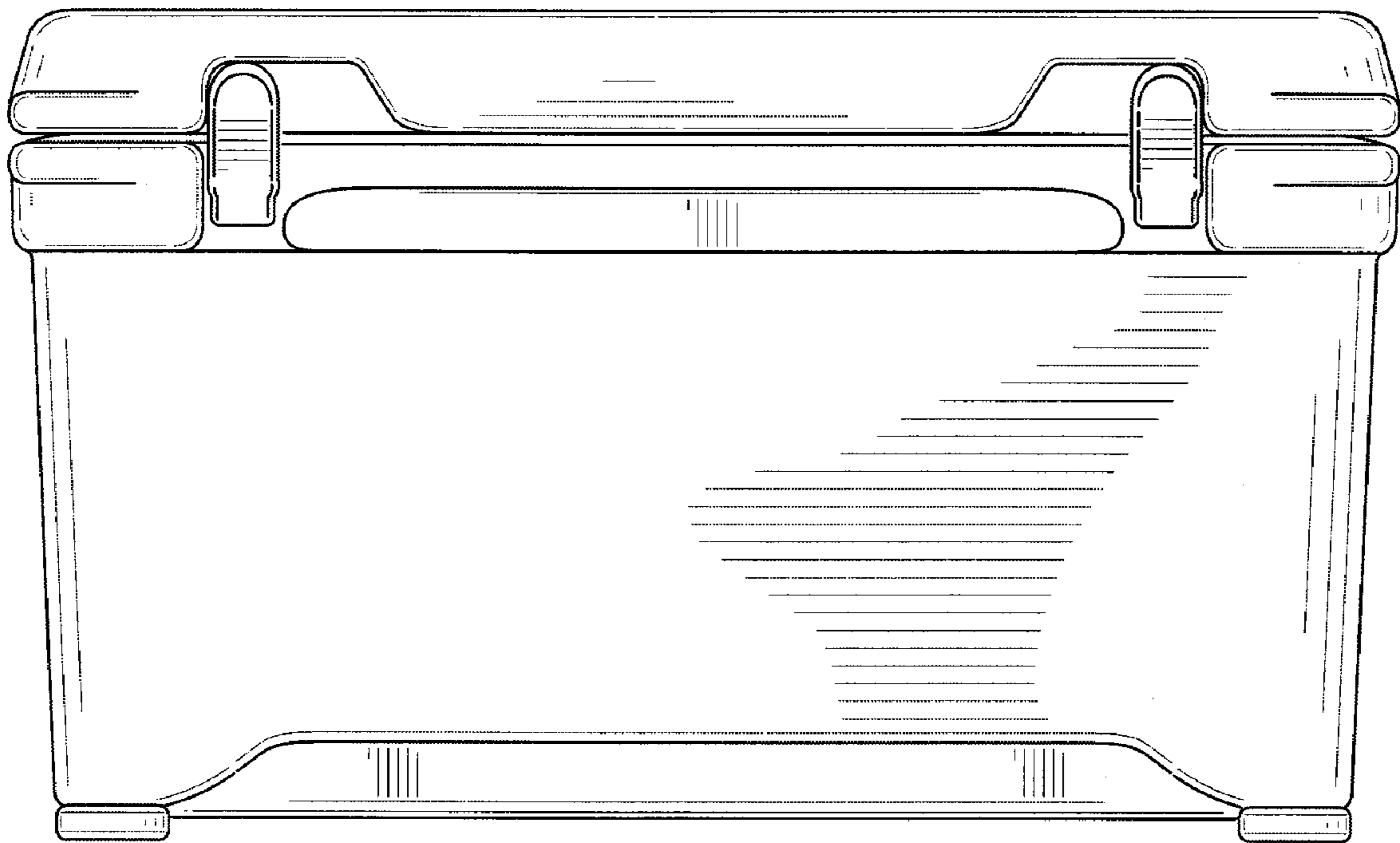


FIG. 2

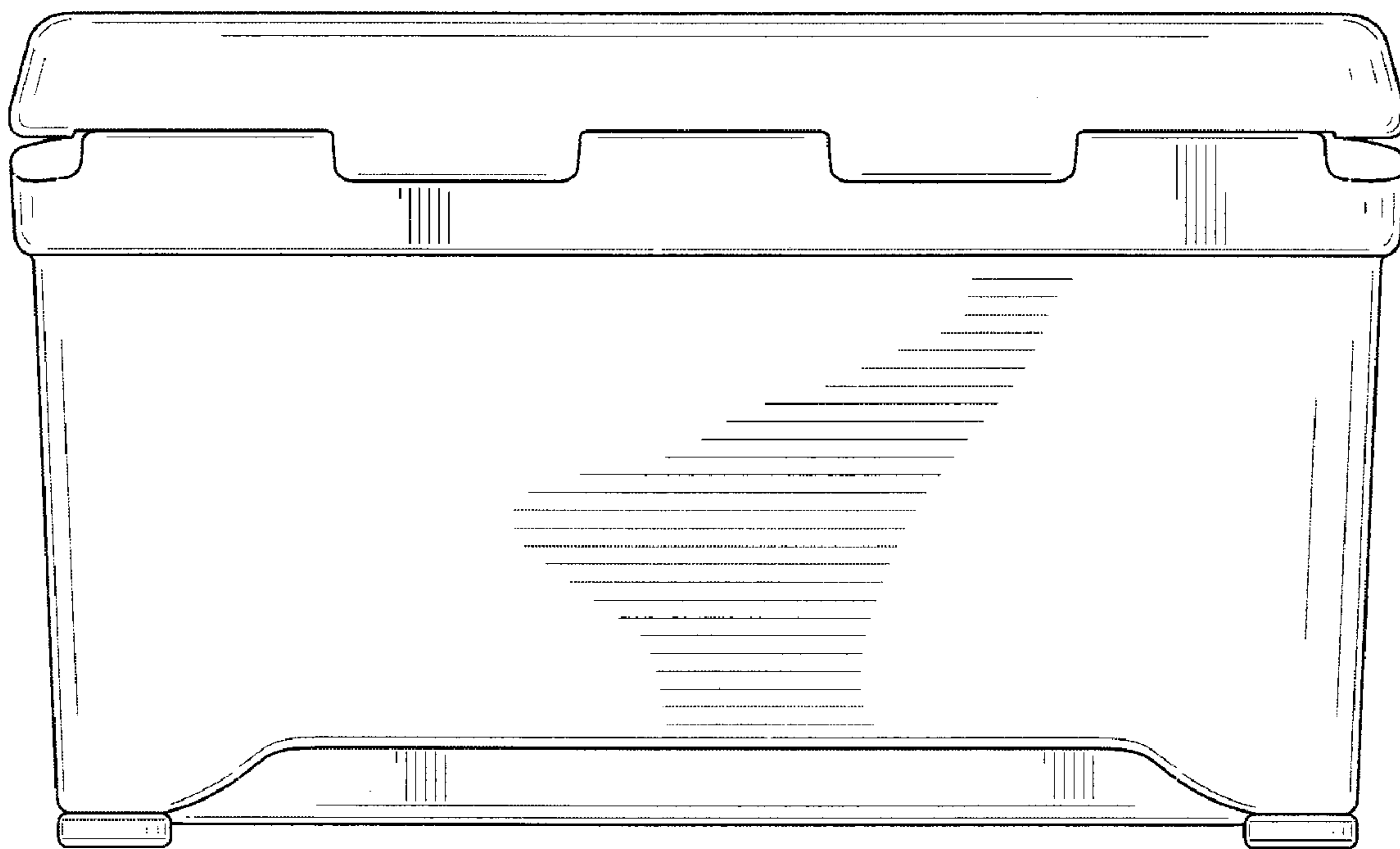


FIG. 3

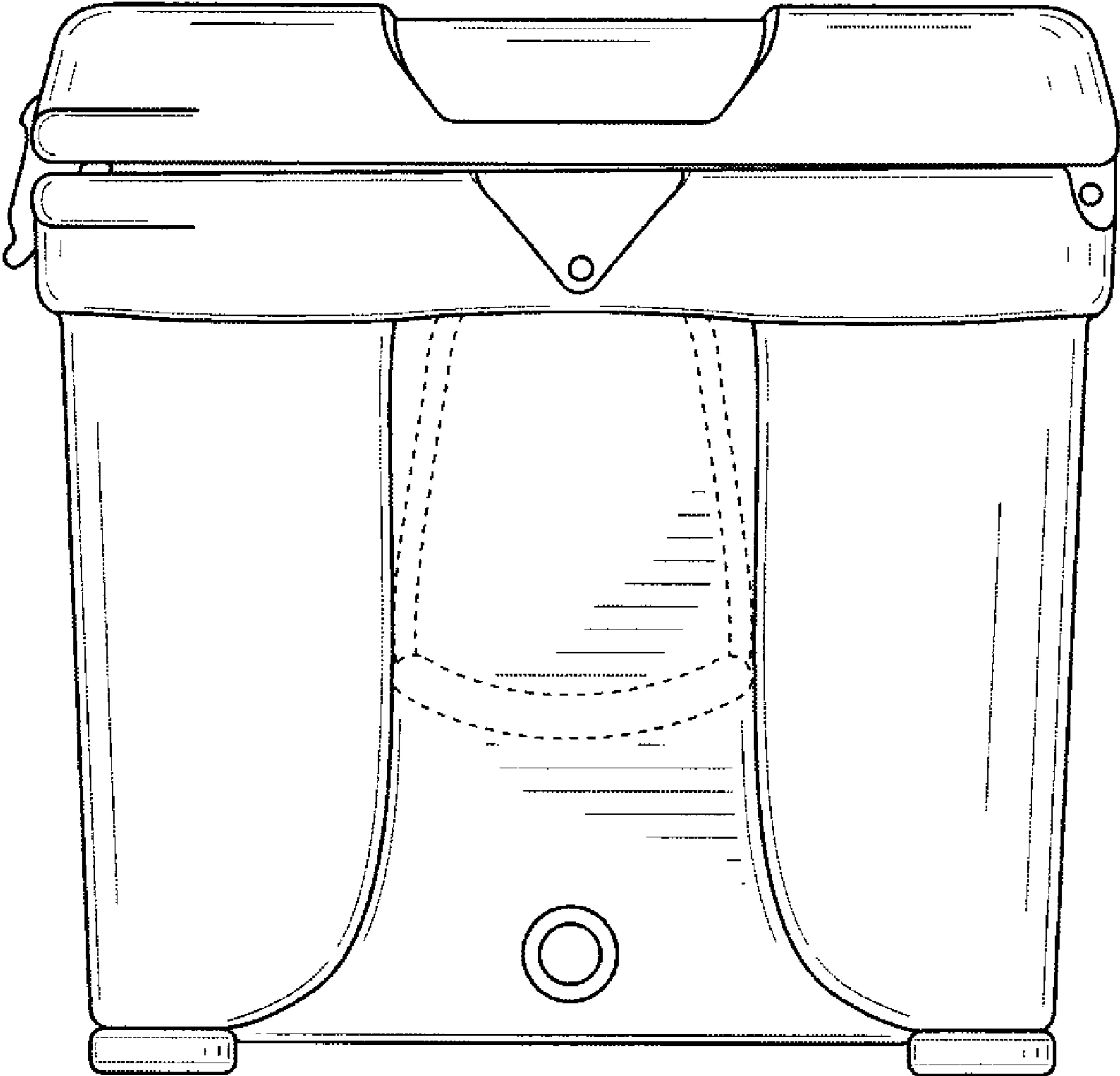


FIG. 4

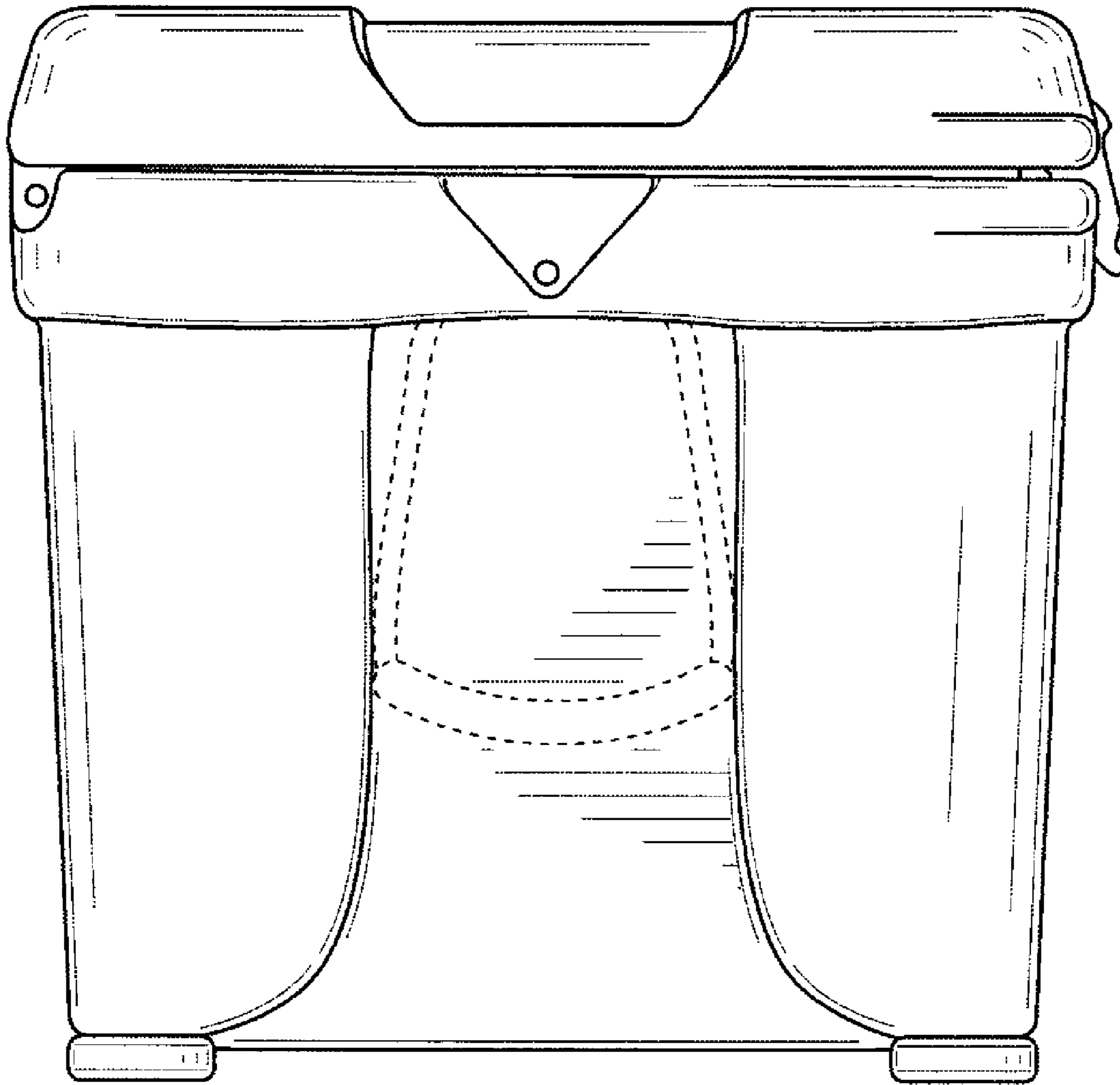


FIG. 5

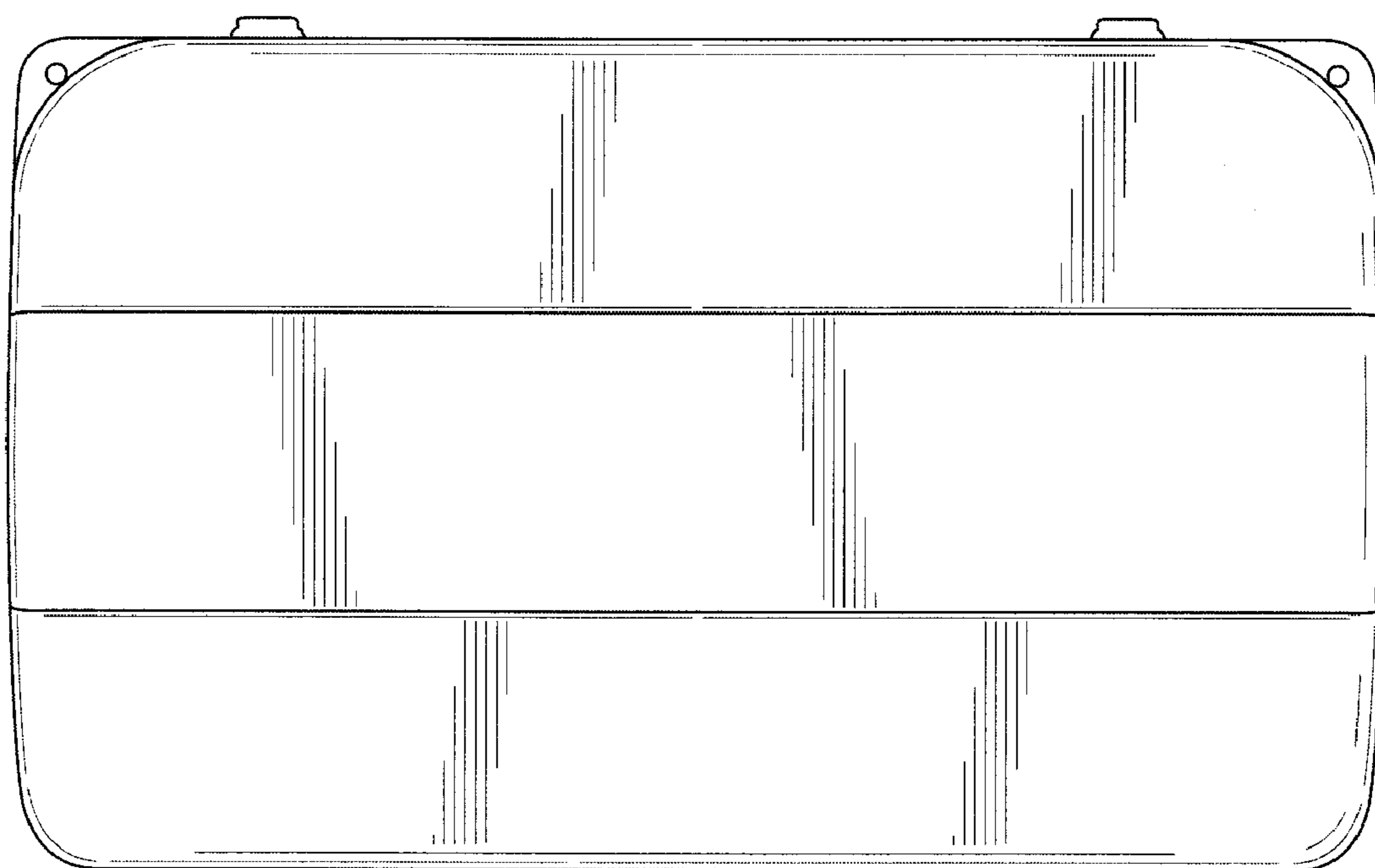


FIG. 6

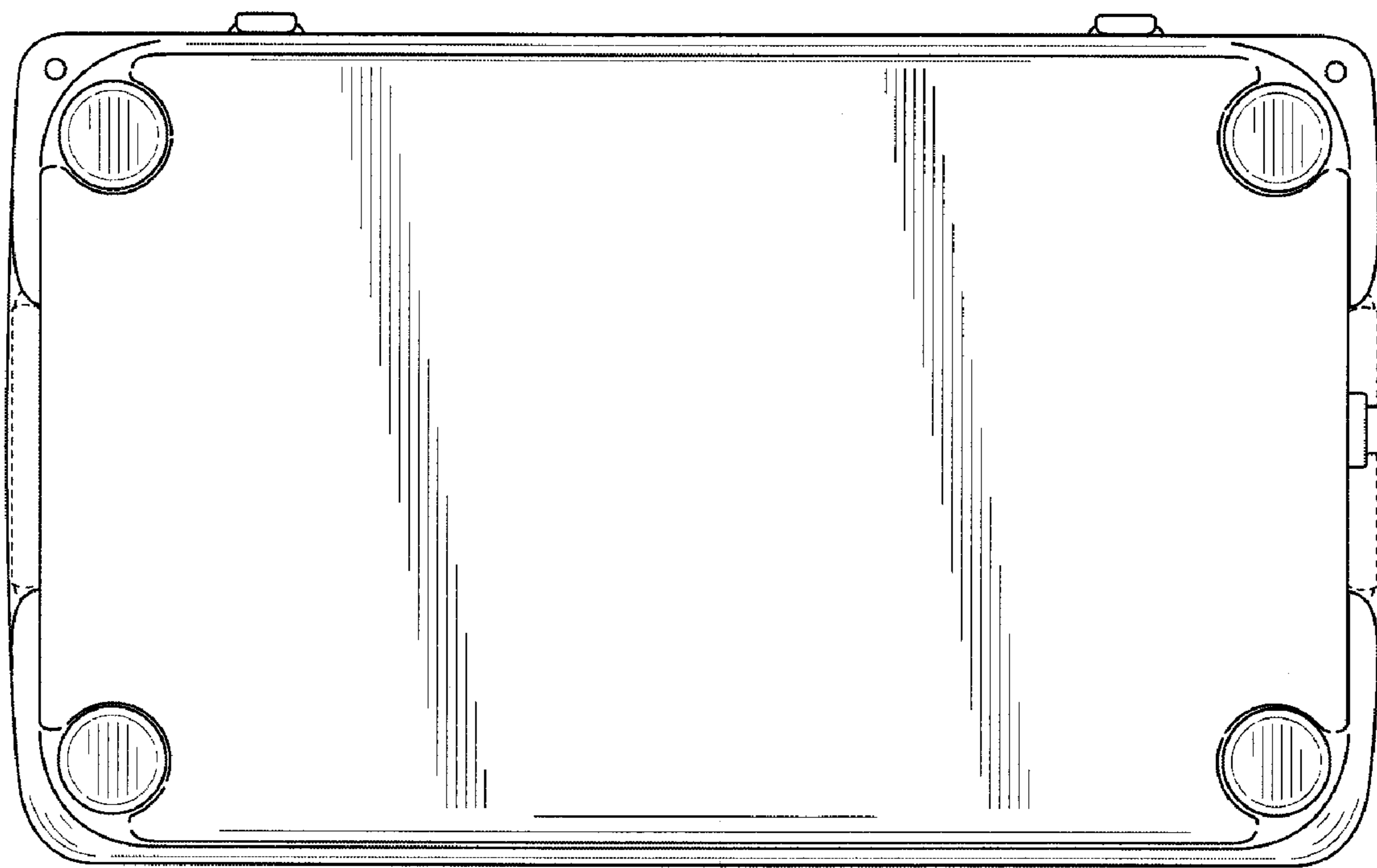


FIG. 7