



US00D566477S

(12) **United States Design Patent**
Freeman

(10) **Patent No.:** **US D566,477 S**

(45) **Date of Patent:** **** Apr. 15, 2008**

(54) **BOWL**

(75) Inventor: **Ernest F. Freeman**, Rancho Santa
Margarita, CA (US)

(73) Assignee: **Cambro Manufacturing Co.**,
Huntington Beach, CA (US)

(**) Term: **14 Years**

(21) Appl. No.: **29/286,805**

(22) Filed: **May 19, 2007**

(51) **LOC (8) Cl.** **02-01**

(52) **U.S. Cl.** **D7/586**

(58) **Field of Classification Search** D7/500,
D7/543-549, 550.1, 552.1, 544.1-554.4,
D7/553.7, 566, 570, 584, 586-587; 431/289,
431/291-292, 220, 675; 215/375, 372, 382,
215/215, 384; 220/628, 669, 69, 72; 34/238;
98/52; 211/14

See application file for complete search history.

(56) **References Cited**

U.S. PATENT DOCUMENTS

505,323 A * 9/1893 Nicholson 211/14
4,506,799 A * 3/1985 Mason, Jr. 220/628
D360,102 S * 7/1995 Geissler et al. D7/325
D422,180 S * 4/2000 Sundberg D7/545

D466,256 S * 11/2002 Kaplan D30/129
D482,240 S * 11/2003 Soohoo et al. D7/584
D482,562 S * 11/2003 Demers D7/354
D522,809 S * 6/2006 Kusuma et al. D7/602
7,178,687 B1 * 2/2007 Manderfield et al. 220/675
D541,590 S * 5/2007 Wasserman et al. D7/558
7,229,280 B2 * 6/2007 Kubicek et al. 431/289

* cited by examiner

Primary Examiner—Charles A. Rademaker

Assistant Examiner—Anna J Burmeister

(74) *Attorney, Agent, or Firm*—George F. Bethel

(57) **CLAIM**

I claim the ornamental design for a bowl, as shown and described.

DESCRIPTION

FIG. 1 is a top, front, and right side perspective view of a bowl according to the new design;

FIG. 2 is a front elevational view thereof;

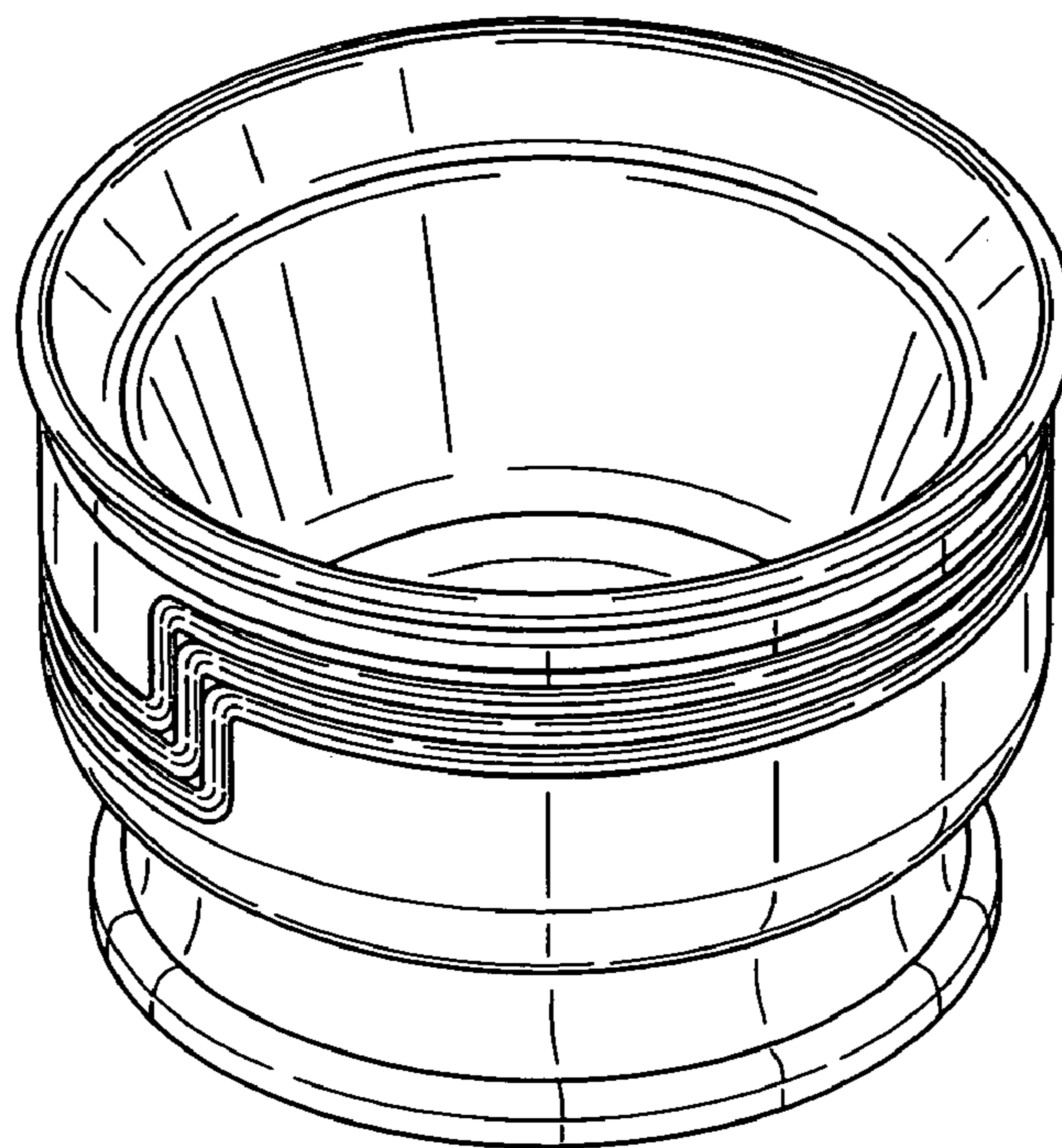
FIG. 3 is a top plan view thereof;

FIG. 4 is a right side elevational view thereof;

FIG. 5 is a left side elevational view thereof; and,

FIG. 6 is a rear elevational view thereof.

1 Claim, 2 Drawing Sheets



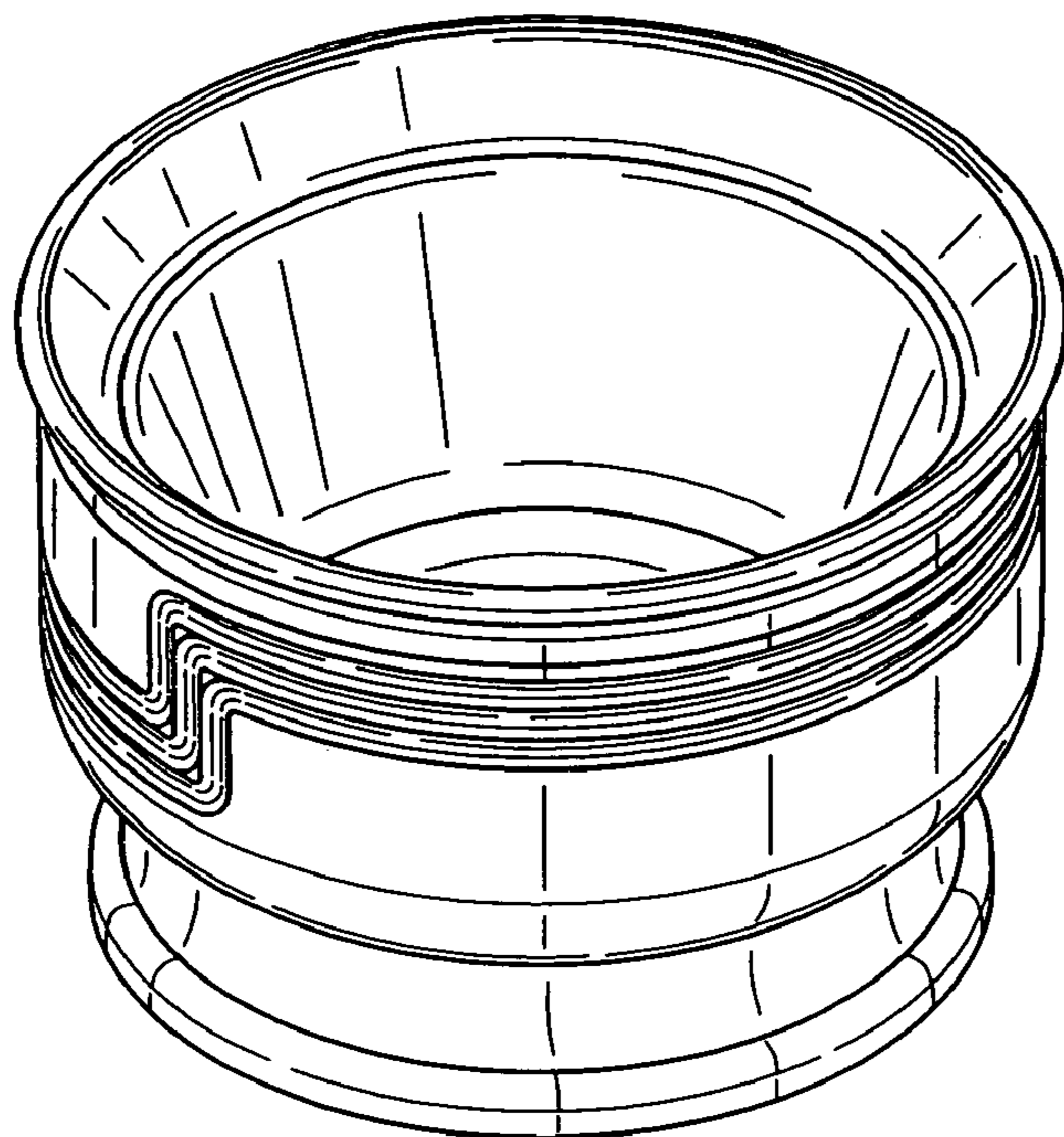
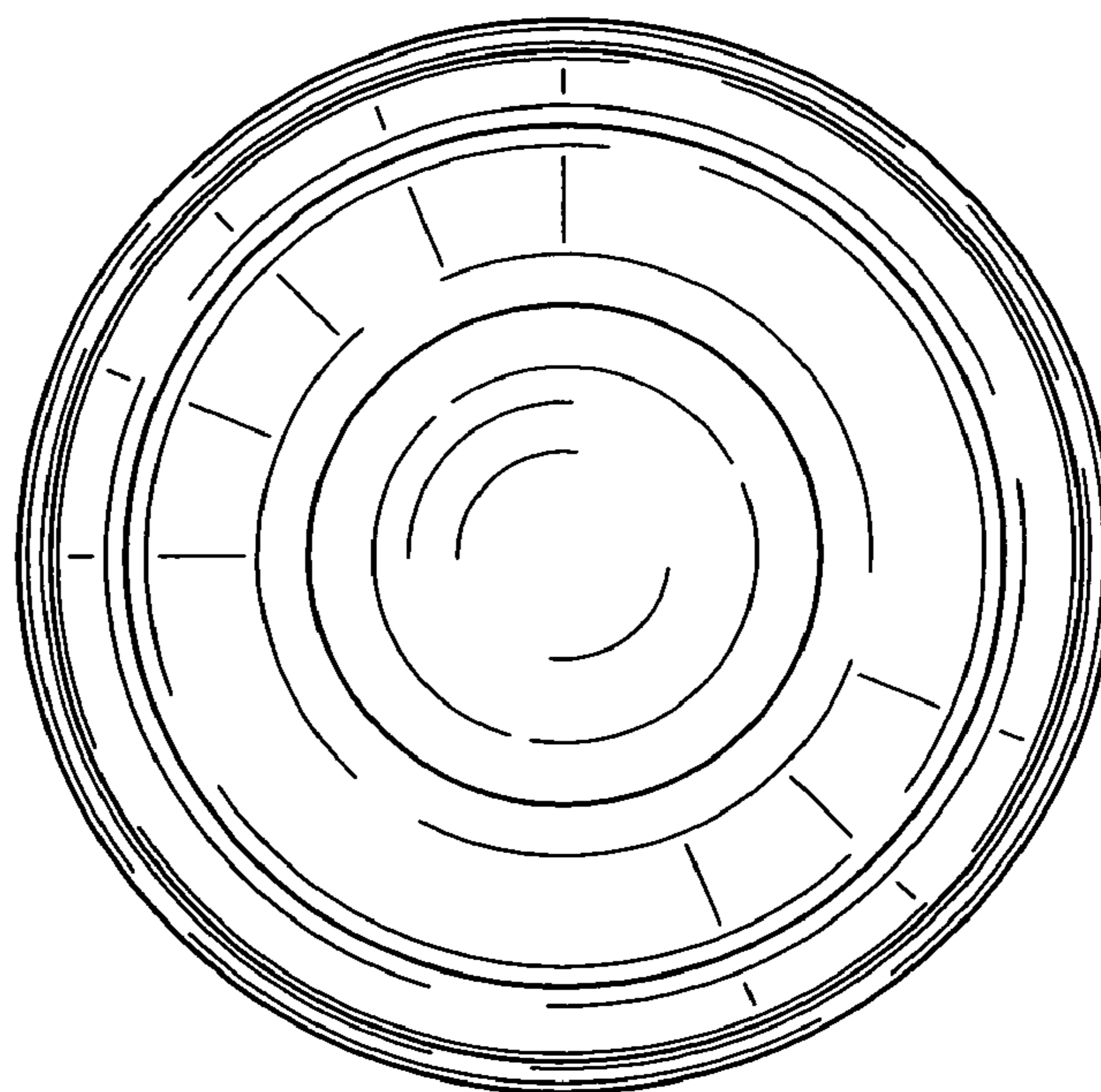


FIG. 1

FIG. 3



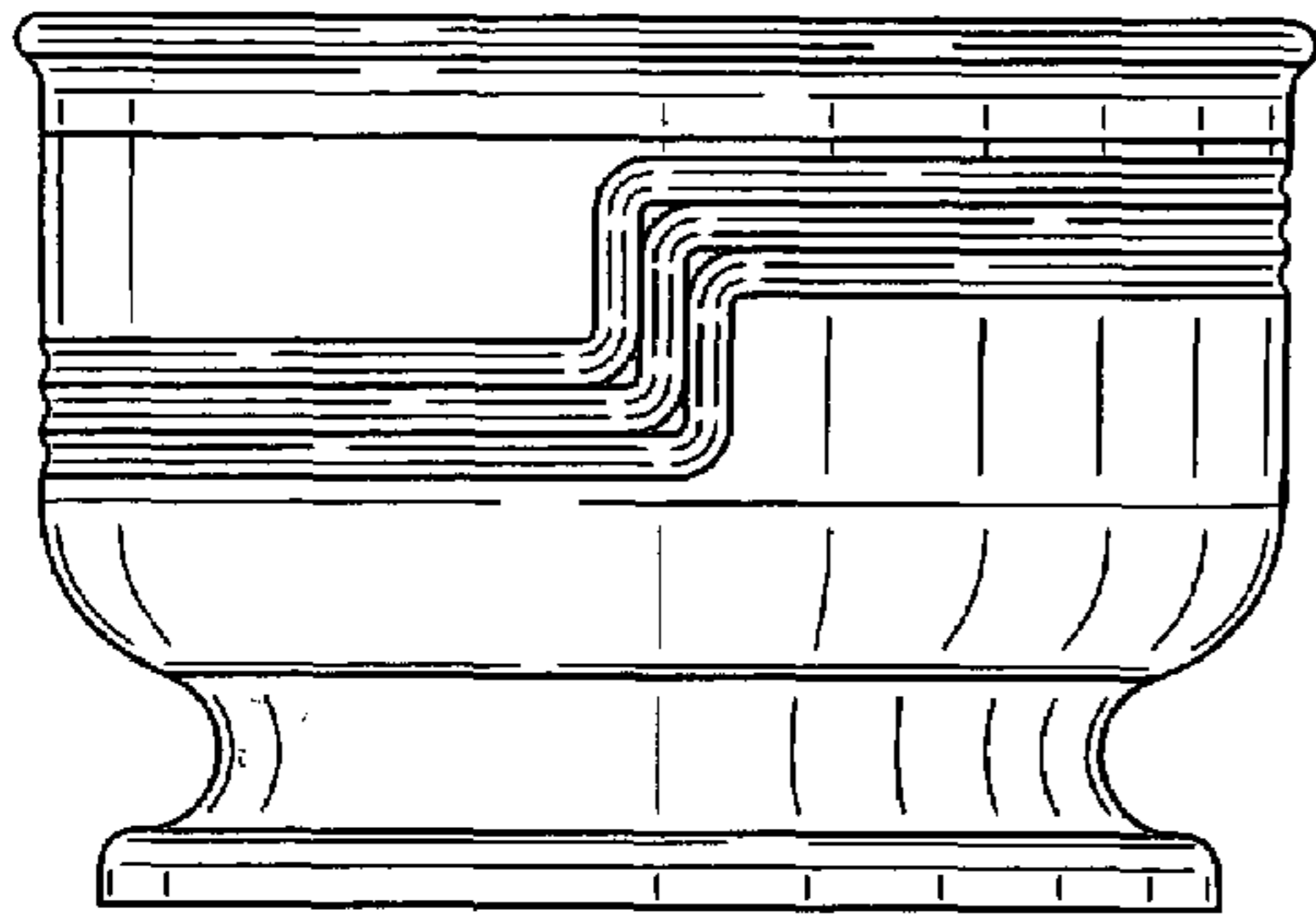


FIG. 2

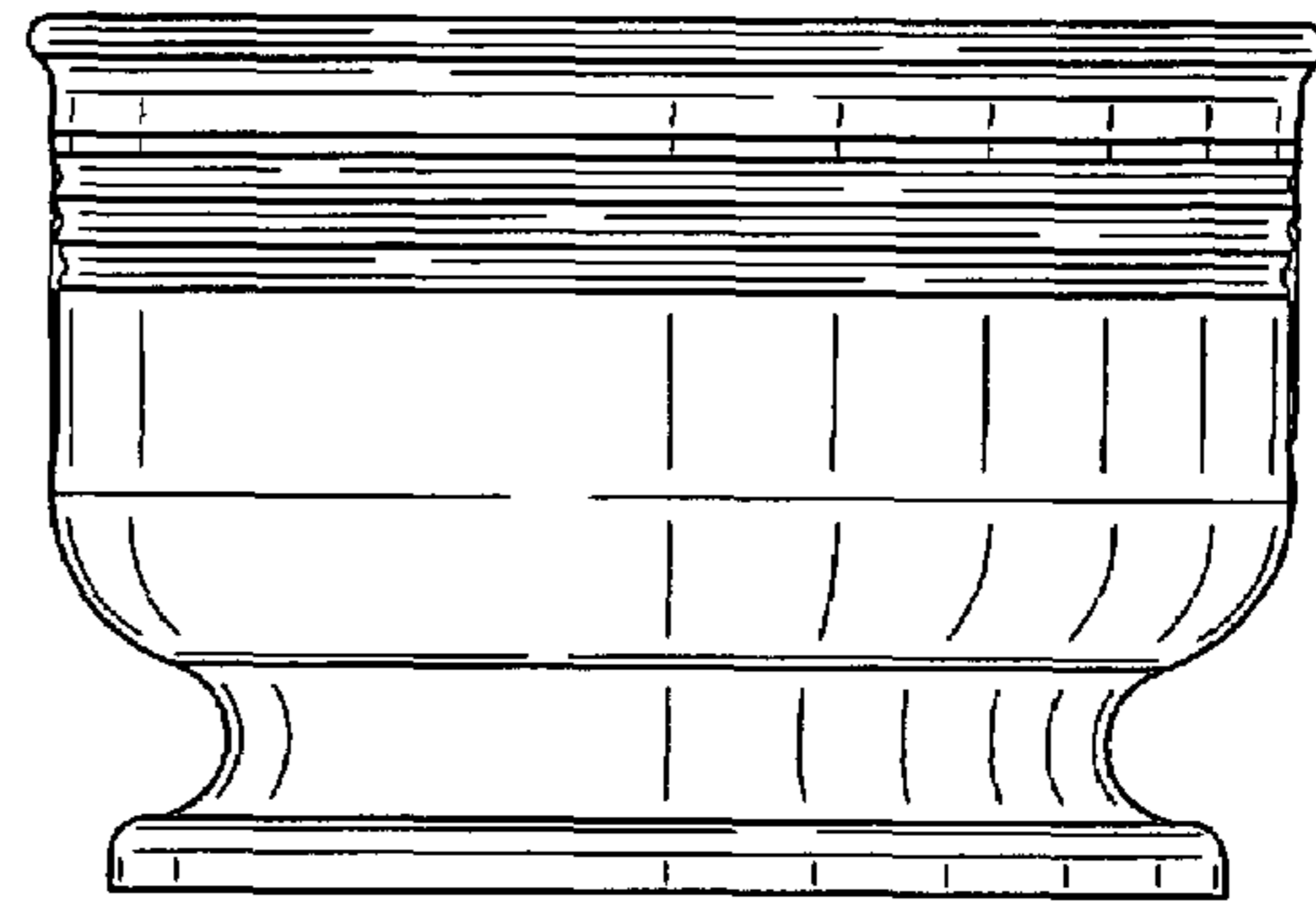


FIG. 4

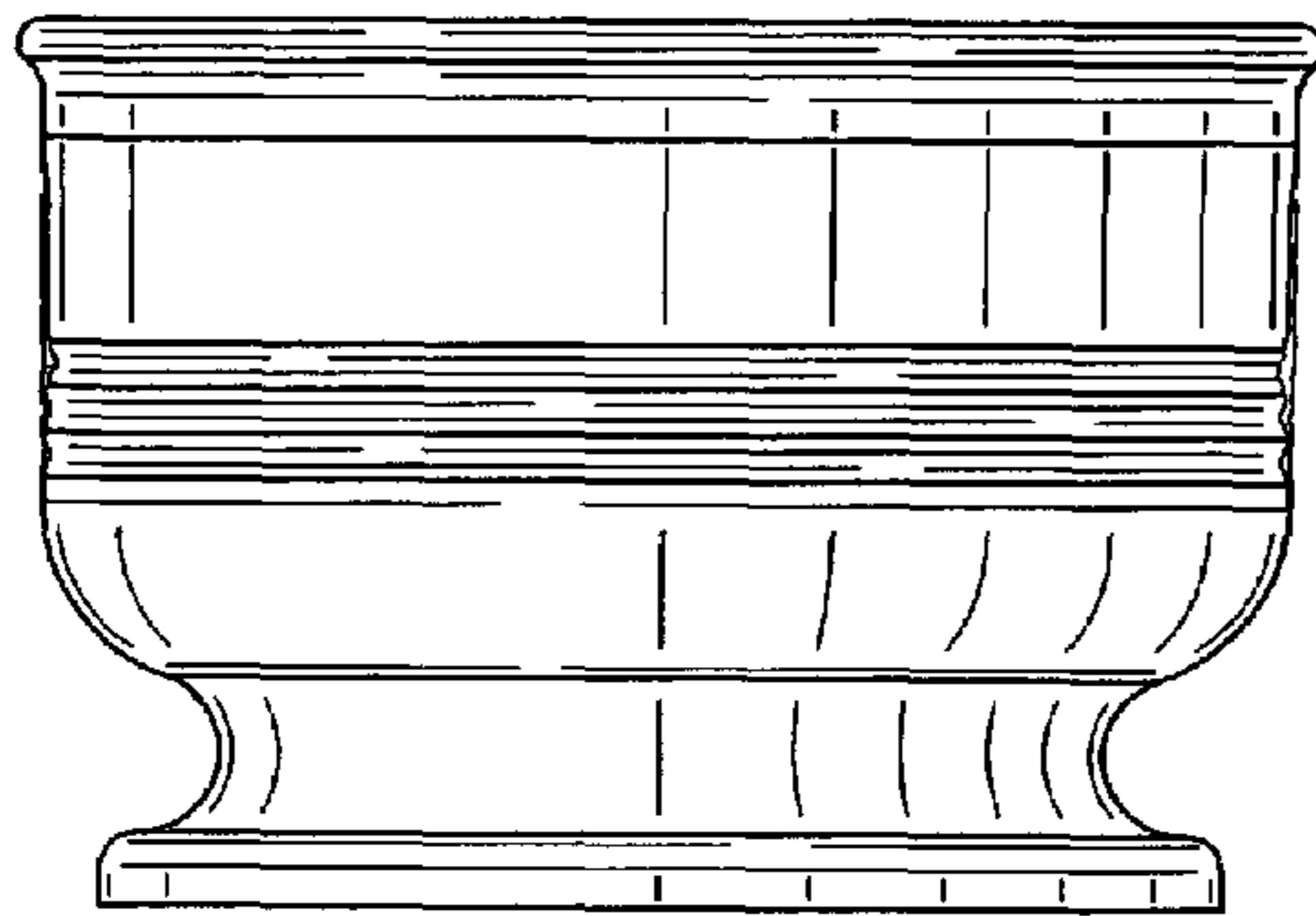


FIG. 5

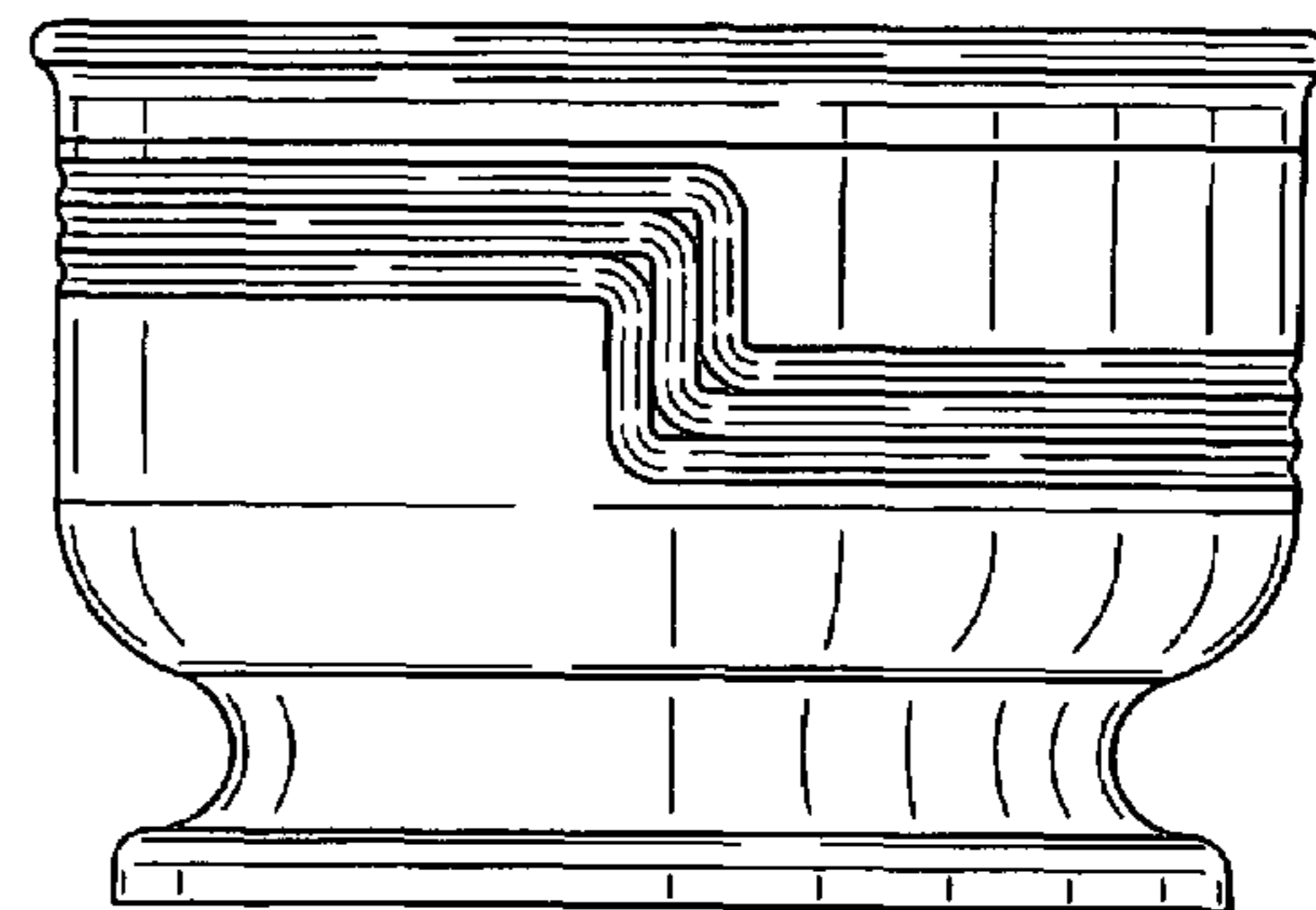


FIG. 6