



US00D566470S

(12) **United States Design Patent** (10) **Patent No.:** **US D566,470 S**
Wahl (45) **Date of Patent:** **** Apr. 15, 2008**

(54) **FOOD CONTAINER**
(75) Inventor: **Andrew C. F. Wahl**, Seattle, WA (US)
(73) Assignee: **Pacific Market International, LLC**,
Seattle, WA (US)
(**) Term: **14 Years**
(21) Appl. No.: **29/282,453**
(22) Filed: **Jul. 20, 2007**

4,190,155 A 2/1980 Higley
D262,593 S 1/1982 Zabner et al.
D269,148 S * 5/1983 Trkla et al. D7/608
D299,102 S 12/1988 Maki
D299,696 S 2/1989 Dallas
5,199,597 A * 4/1993 Gladish 220/715
5,203,467 A * 4/1993 Tucker 220/254.3
5,203,468 A * 4/1993 Hsu 220/254.3
D347,359 S * 5/1994 Robbins, III D7/512

(Continued)

FOREIGN PATENT DOCUMENTS

FI 19960203 * 9/1996

OTHER PUBLICATIONS

U.S. Appl. No. 29/252,150, filed Jan. 18, 2006, Wahl, Andrew.

(Continued)

Primary Examiner—T. Chase Nelson
Assistant Examiner—Karen Acker
(74) *Attorney, Agent, or Firm*—Davis Wright Tremaine
LLP; George C. Rondeau, Jr.

Related U.S. Application Data

(63) Continuation-in-part of application No. 29/252,150,
filed on Jan. 18, 2006, now Pat. No. Des. 551,903.

(51) **LOC (8) Cl.** **07-01**
(52) **U.S. Cl.** **D7/510**
(58) **Field of Classification Search** D7/392–394,
D7/396.6, 509–511, 522–533, 536–538, 542,
D7/605, 608, 619.1, 622, 624.2; 215/12.1,
215/374, 377, 382, 384, 386–388, 396, 398,
215/DIG. 7; 220/62.12, 592.17, 669, 696,
220/710, 710.5, 711, 713, 715, 719, 739
See application file for complete search history.

(57) **CLAIM**

The ornamental design for a food container, as shown and
described.

(56) **References Cited**

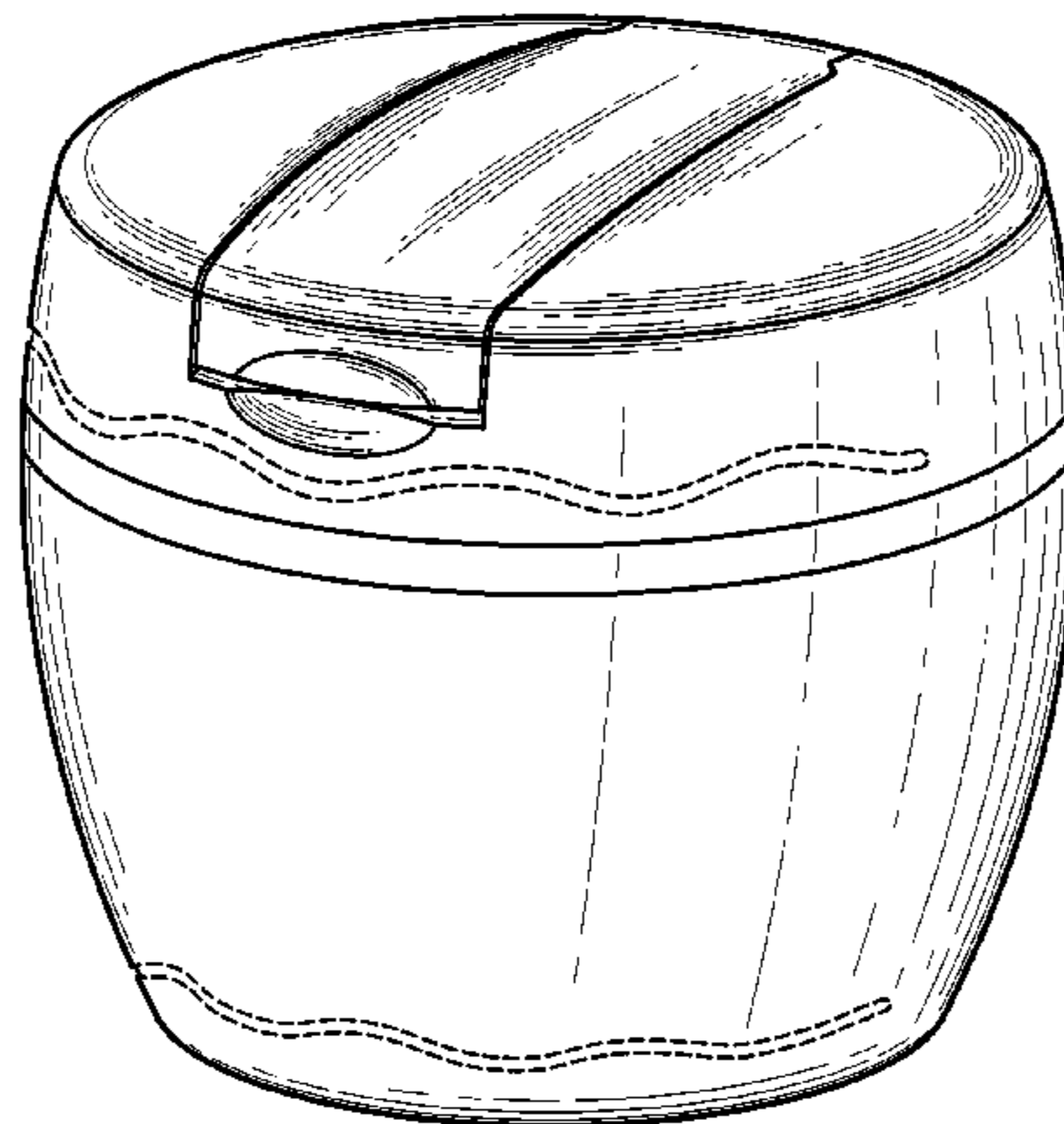
U.S. PATENT DOCUMENTS

D158,050 S * 4/1950 Clarke D7/608
2,574,612 A 11/1951 Barnes
D180,928 S * 9/1957 Bliss D7/608
2,857,067 A * 10/1958 Lehmans-Leroy 215/2
D188,513 S 8/1960 Moore
3,088,830 A * 5/1963 Graham 426/87
3,311,248 A * 3/1967 Marchant 215/13.1
D212,034 S * 8/1968 Thordis D7/608
3,429,141 A * 2/1969 Halseth 62/372
3,506,150 A * 4/1970 Tristine 215/12.1
D231,968 S * 7/1974 Sven-Eric D7/538
D238,978 S * 2/1976 Getchell, Jr. D3/272
3,982,651 A 9/1976 Braun et al.
D248,216 S 6/1978 Allen et al.
D254,238 S * 2/1980 Morin D7/538

DESCRIPTION

FIG. 1 is a top front perspective view of a food container
showing my new design.
FIG. 2 is a front elevational view thereof.
FIG. 3 is a right side elevational view thereof, the left side
elevational view being the mirror image thereof.
FIG. 4 is a rear elevational view thereof.
FIG. 5 is a top plan view thereof; and,
FIG. 6 is a bottom plan view thereof.
The broken lines are for illustrative purposes only and form
no part of the claimed design.

1 Claim, 3 Drawing Sheets



US D566,470 S

Page 2

U.S. PATENT DOCUMENTS

5,409,126 A * 4/1995 DeMars 220/4.27
D367,589 S * 3/1996 Zimmerman D7/629
D372,172 S * 7/1996 Morales Segura D7/608
D373,055 S * 8/1996 Segura D7/709
D375,655 S 11/1996 King
D400,407 S 11/1998 Platte
D404,619 S * 1/1999 Wyant D7/709
D406,725 S 3/1999 Joergensen
D418,409 S 1/2000 Hampshire
D429,968 S * 8/2000 Frankel D7/620
D431,322 S 9/2000 Lemoine
D434,278 S * 11/2000 Morales Segura D7/608
D441,611 S * 5/2001 Hudson et al. D7/538
D445,001 S 7/2001 Lin
D445,609 S 7/2001 Jeup
D453,892 S 2/2002 Lindsay et al.

D474,377 S 5/2003 Holsinger
D476,858 S * 7/2003 Slater et al. D7/608
D479,951 S * 9/2003 Segura D7/608
D482,465 S 11/2003 Slomowitz
D485,125 S 1/2004 Jørgensen
D494,425 S 8/2004 Segura
D537,297 S * 2/2007 Martin D7/590
D539,655 S 4/2007 Kipperman et al.
D540,626 S 4/2007 Janky
D546,131 S * 7/2007 Morales et al. D7/608
D547,611 S * 7/2007 Seum et al. D7/511
2005/0040169 A1 * 2/2005 Son 220/254.3
2005/0045634 A1 * 3/2005 Ward et al. 220/254.3

OTHER PUBLICATIONS

U.S. Appl. No. 26/565,946, filed Oct. 27, 1953, Clarke Houghton W.

* cited by examiner

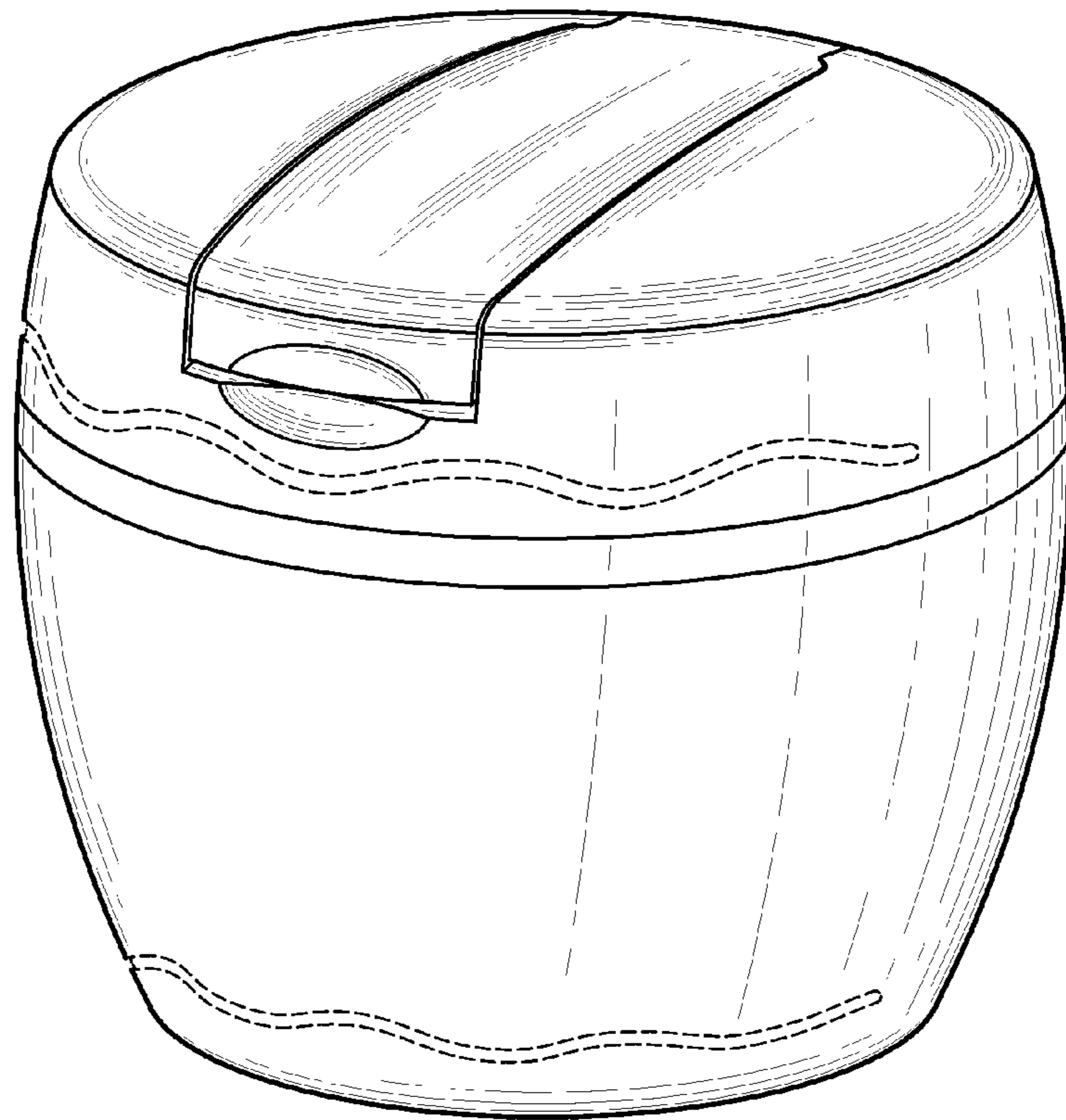


Fig. 1

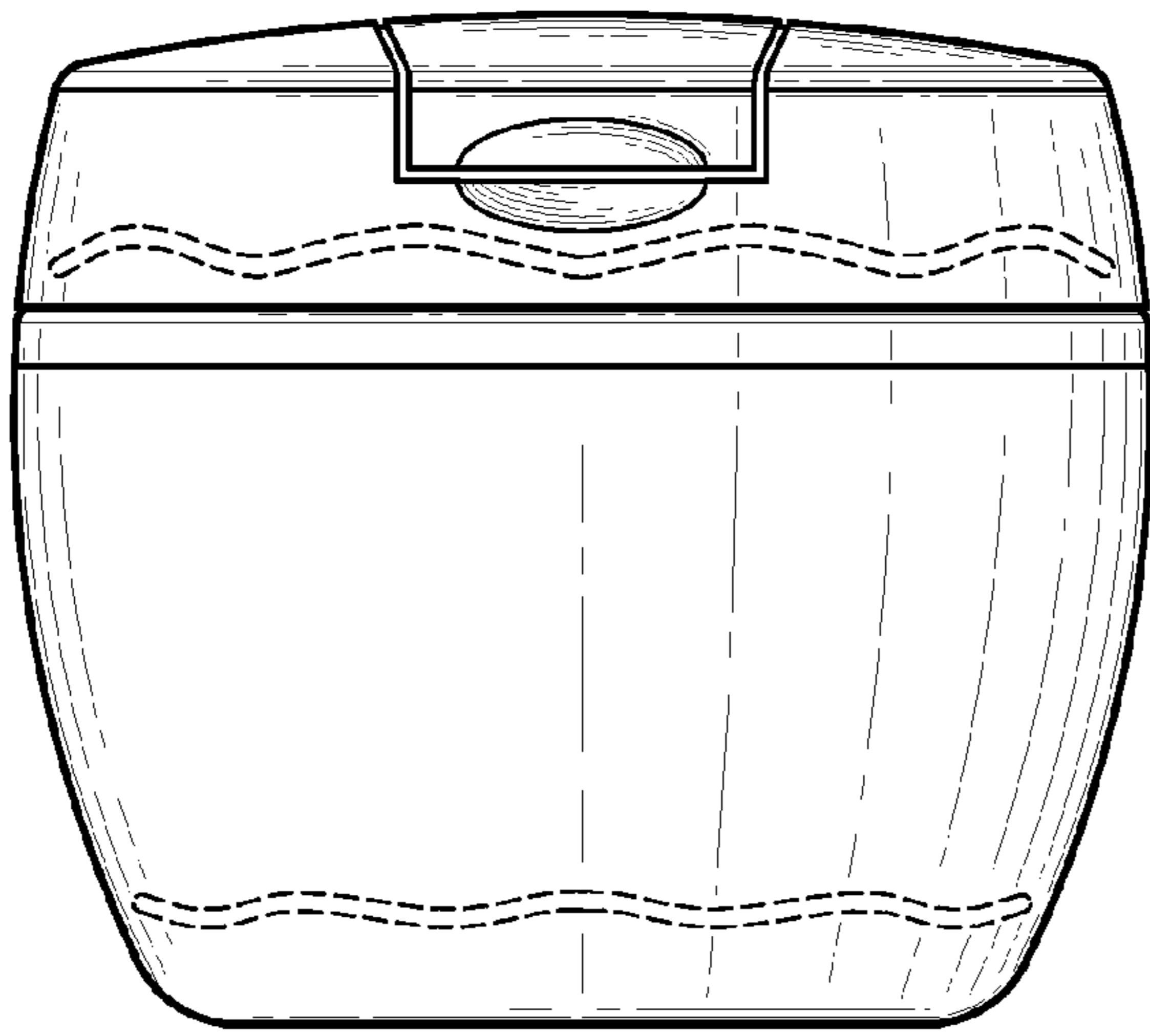


Fig. 2

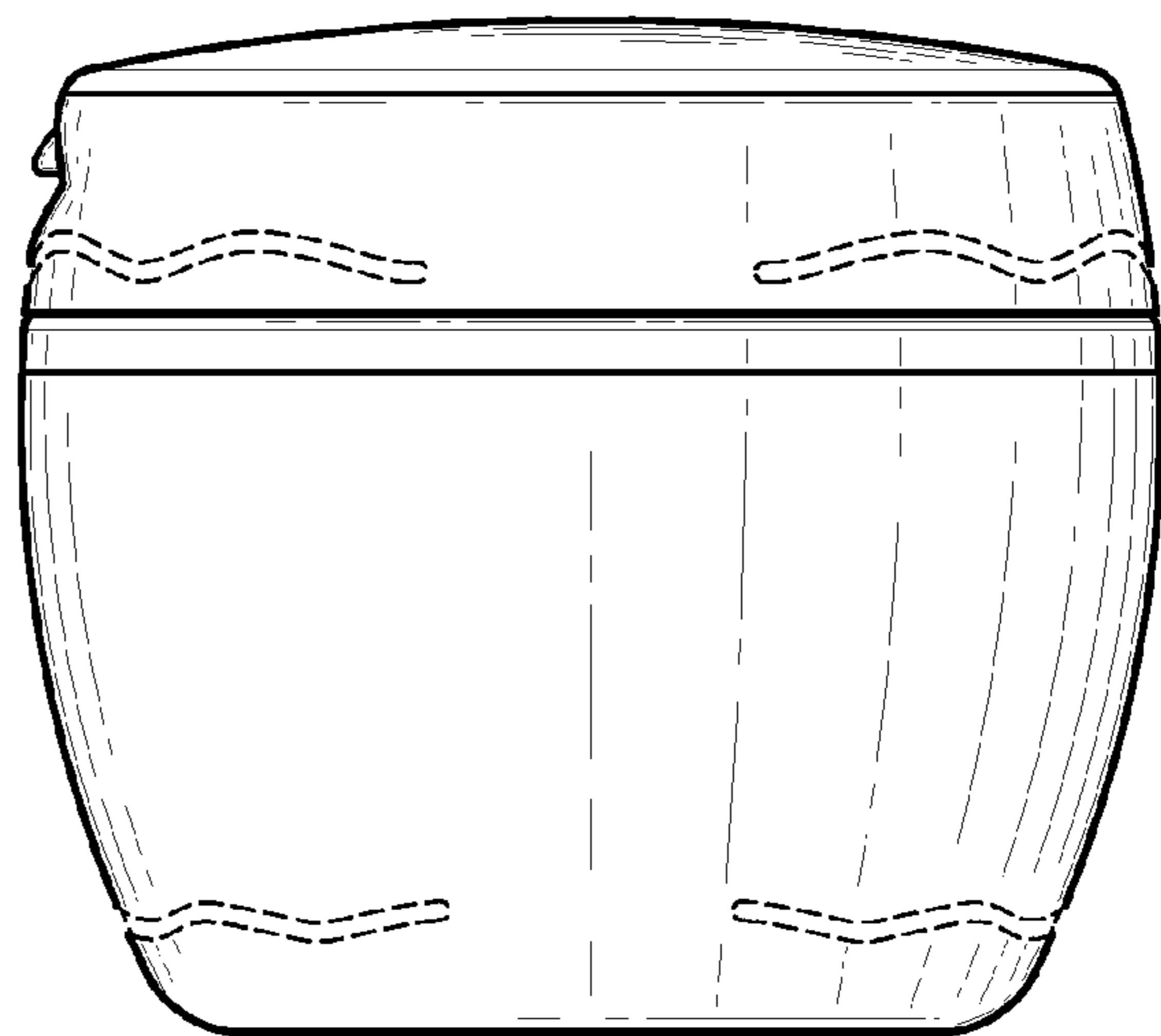


Fig. 3

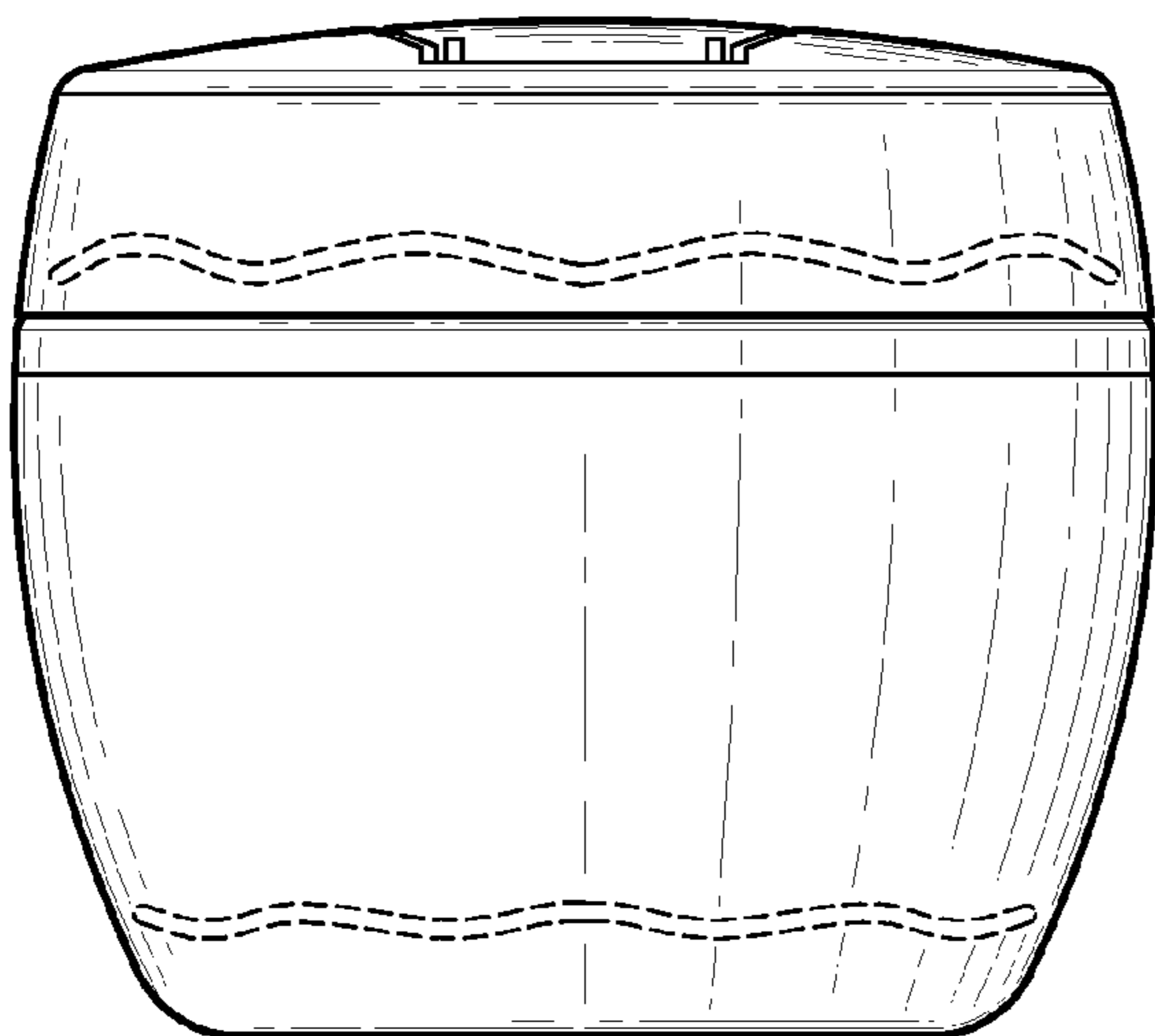


Fig. 4

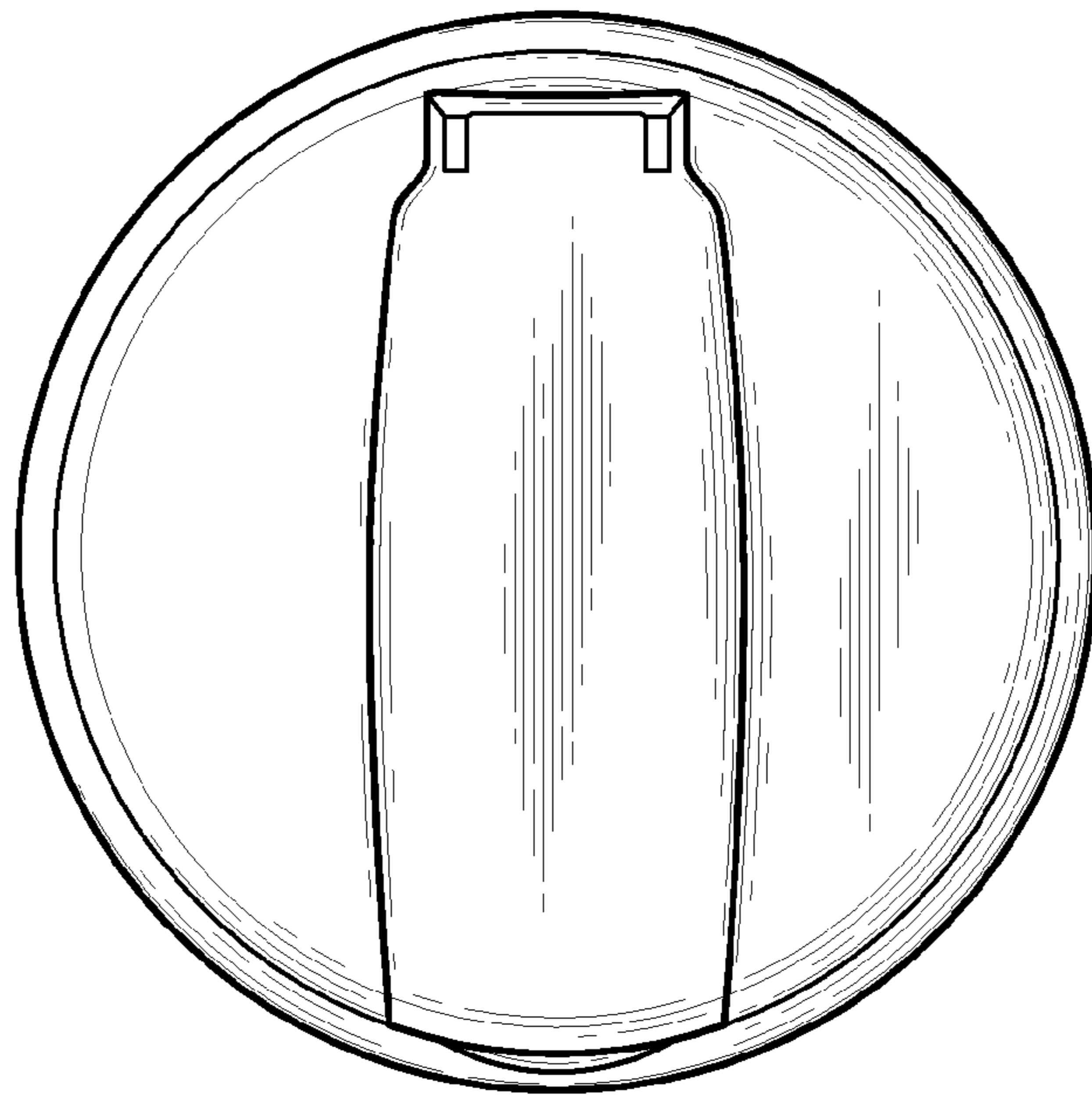


Fig. 5

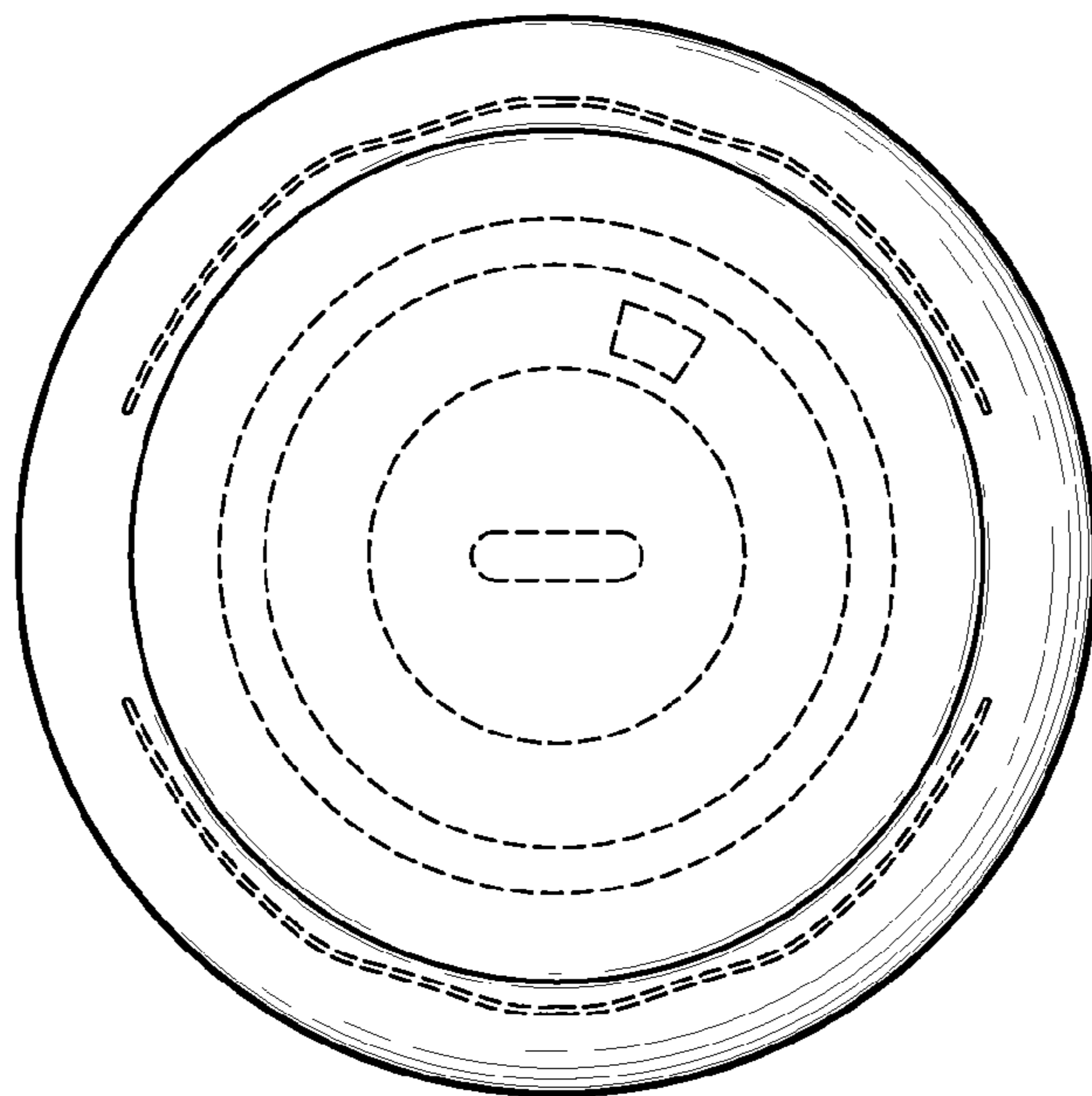


Fig. 6