

US00D566464S

(12) **United States Design Patent**
Martin et al.

(10) **Patent No.:** **US D566,464 S**
(45) **Date of Patent:** **** Apr. 15, 2008**

(54) **PORTION OF AN APPLIANCE**
(75) Inventors: **Robert H. Martin**, Anderson, SC (US);
Robert Pezzetta, Porcia (IT); **Kent**
Allen Stephen Crookshanks,
Anderson, SC (US); **Vittorio**
Cascianelli, Anderson, SC (US)

D470,720 S * 2/2003 Jones et al. D7/405
D491,411 S * 6/2004 De Mello D7/340
D500,628 S * 1/2005 Laundroche et al. D7/346
D521,317 S * 5/2006 Hessen et al. D7/405
D547,609 S * 7/2007 Chung D7/406
D555,976 S * 11/2007 Baldwin D7/405

* cited by examiner

(73) Assignee: **Electrolux Home Products, Inc.**,
Cleveland, OH (US)

Primary Examiner—Robert A. Delehanty
Assistant Examiner—Mark Cavanna

(**) Term: **14 Years**

(74) *Attorney, Agent, or Firm*—Banner & Witcoff, Ltd.

(21) Appl. No.: **29/282,674**

(57) **CLAIM**

(22) Filed: **Jul. 26, 2007**

The ornamental design for a portion of an appliance, as shown and described.

(51) **LOC (8) Cl.** **07-02**

(52) **U.S. Cl.** **D7/405**

(58) **Field of Classification Search** D7/339–341,
D7/346–349, 402, 405–406; 126/21 A, 21 R,
126/273 A, 39 B; 219/391–394
See application file for complete search history.

DESCRIPTION

(56) **References Cited**

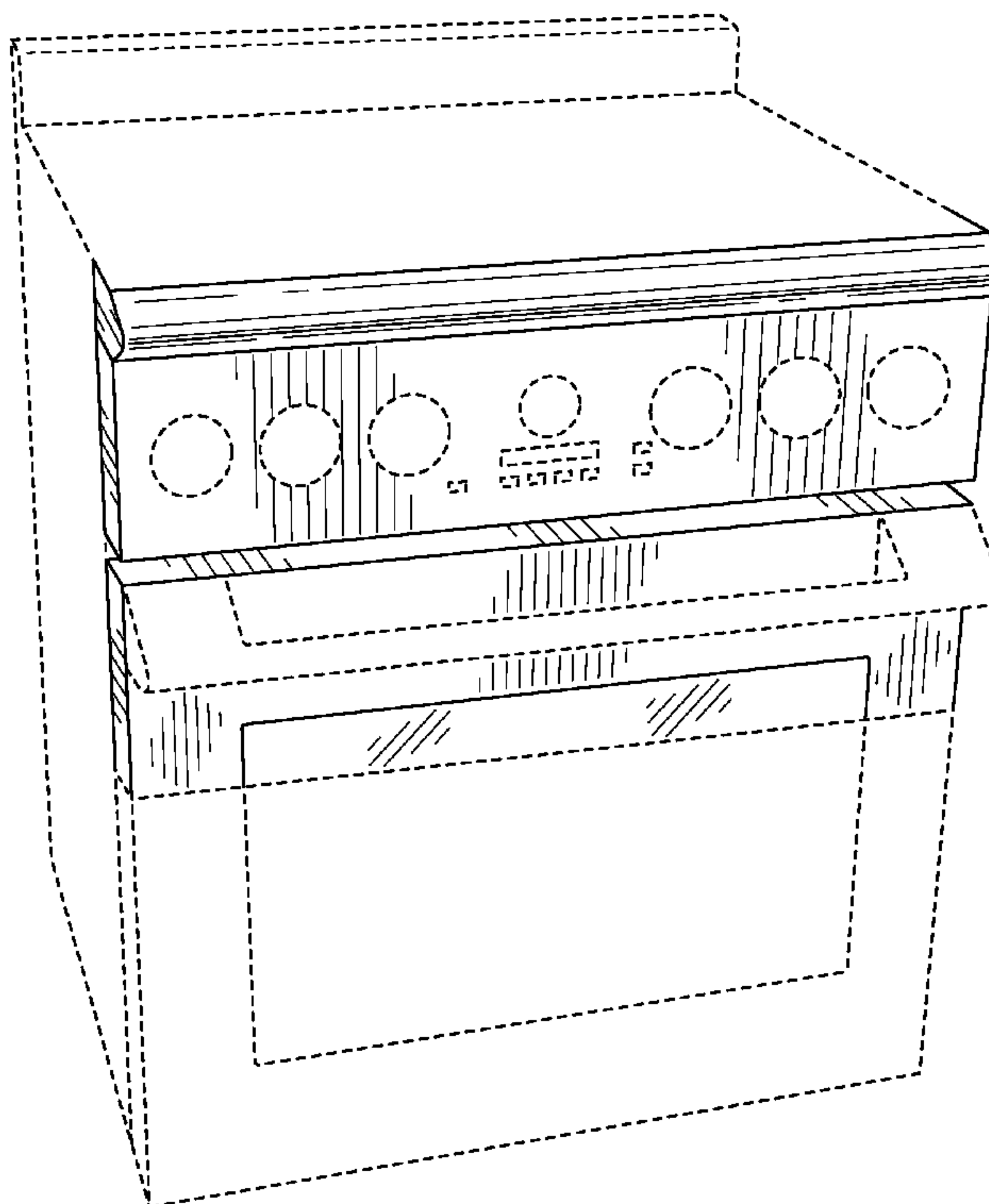
U.S. PATENT DOCUMENTS

D271,269 S * 11/1983 Vetter et al. D7/407
D277,448 S * 2/1985 Vetter et al. D7/346
D277,449 S * 2/1985 Vetter et al. D7/346
D293,068 S * 12/1987 Cerola D7/346
D369,514 S * 5/1996 Baldwin D7/406
D464,229 S * 10/2002 Baldwin et al. D7/340
D469,657 S * 2/2003 Becker et al. D7/405

FIG. 1 is a front perspective view of a portion of an appliance showing our new design;
FIG. 2 is a front view thereof;
FIG. 3 is a left side view thereof;
FIG. 4 is a right side view thereof;
FIG. 5 is a top view thereof; and,
FIG. 6 is a bottom view thereof.

The broken line showing of various regions, including the unshaded areas therein, is for illustrative purposes and forms no part of the claimed design.

1 Claim, 6 Drawing Sheets



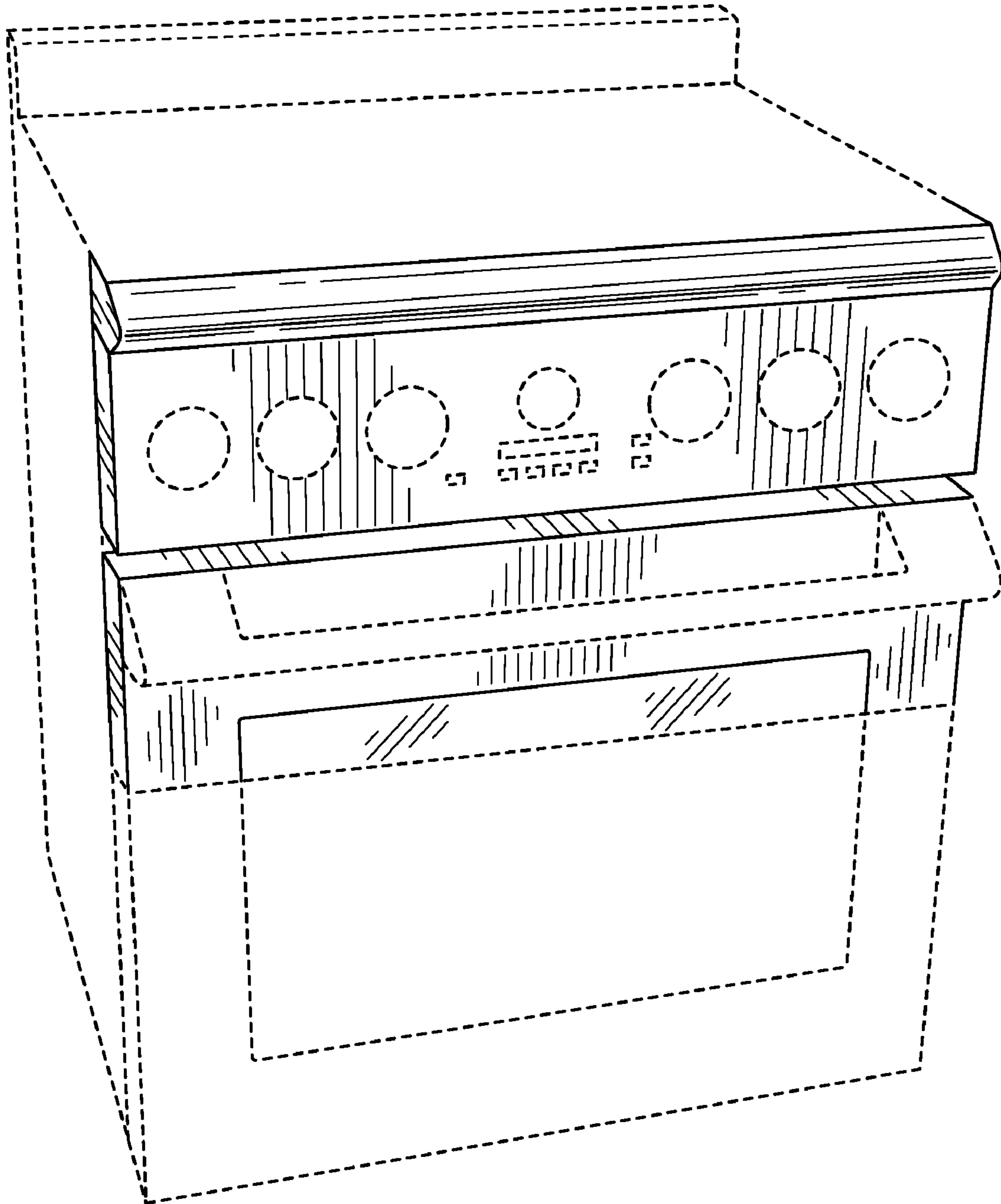


FIG. 1

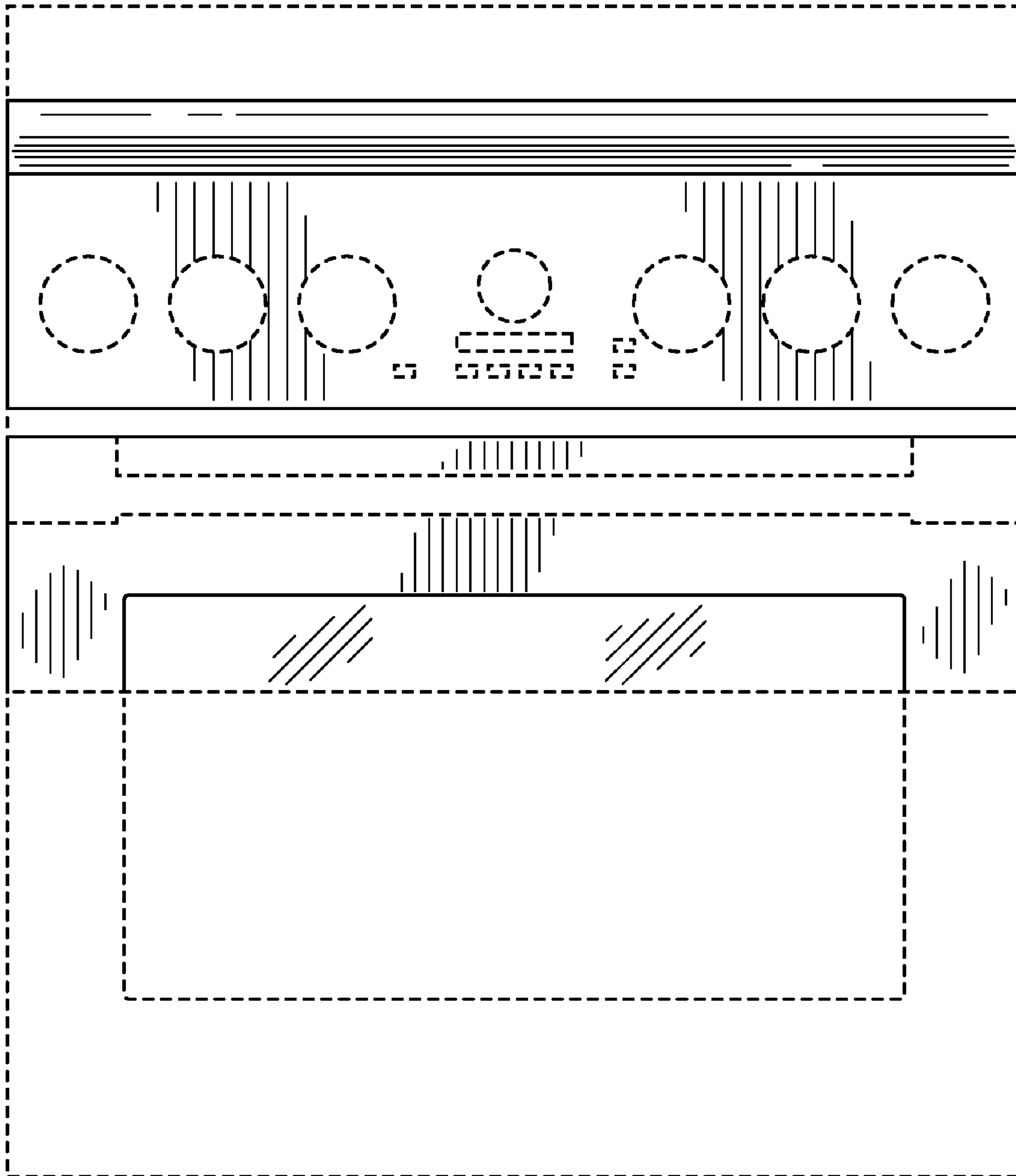


FIG. 2

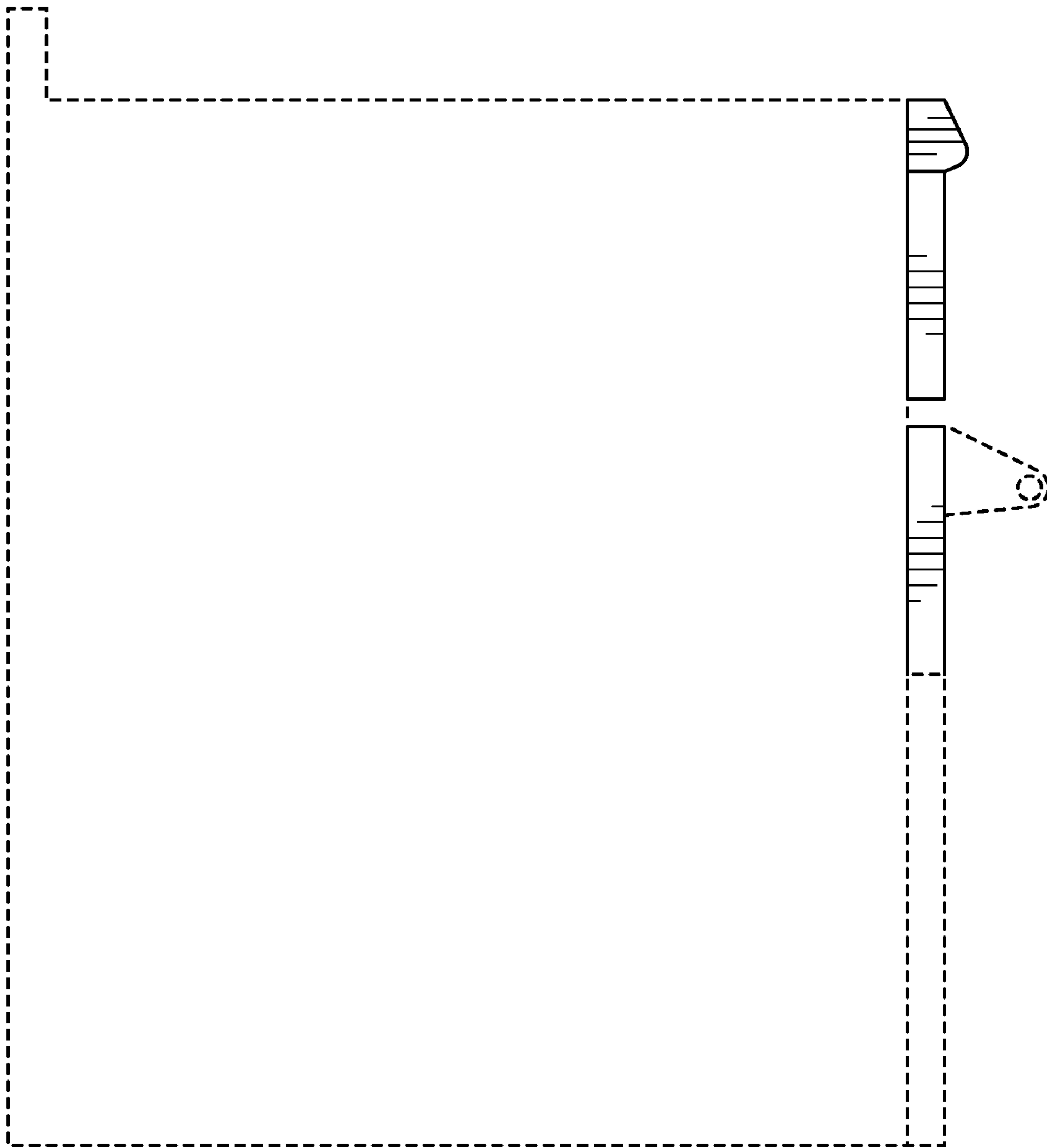


FIG. 3

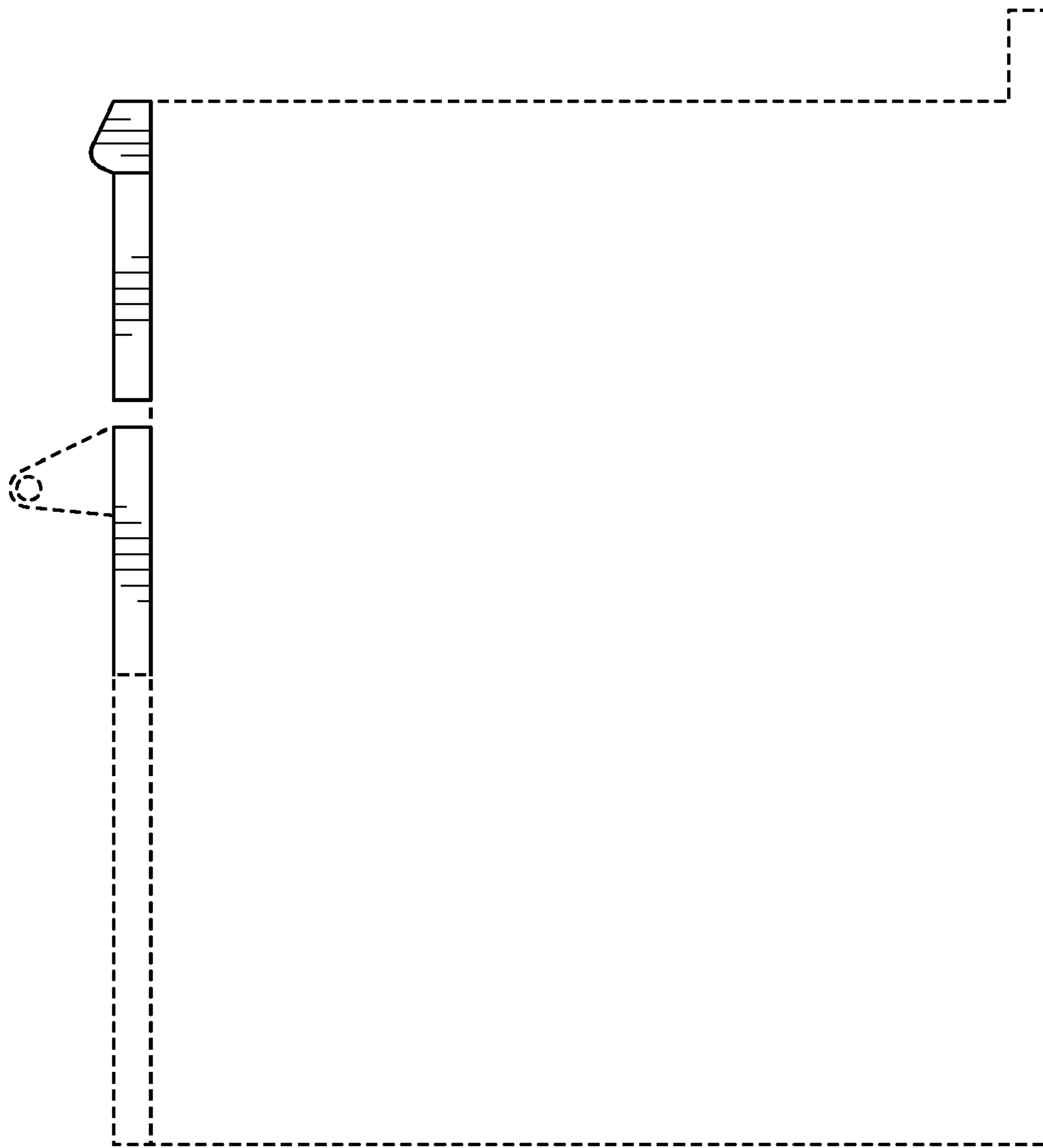


FIG. 4

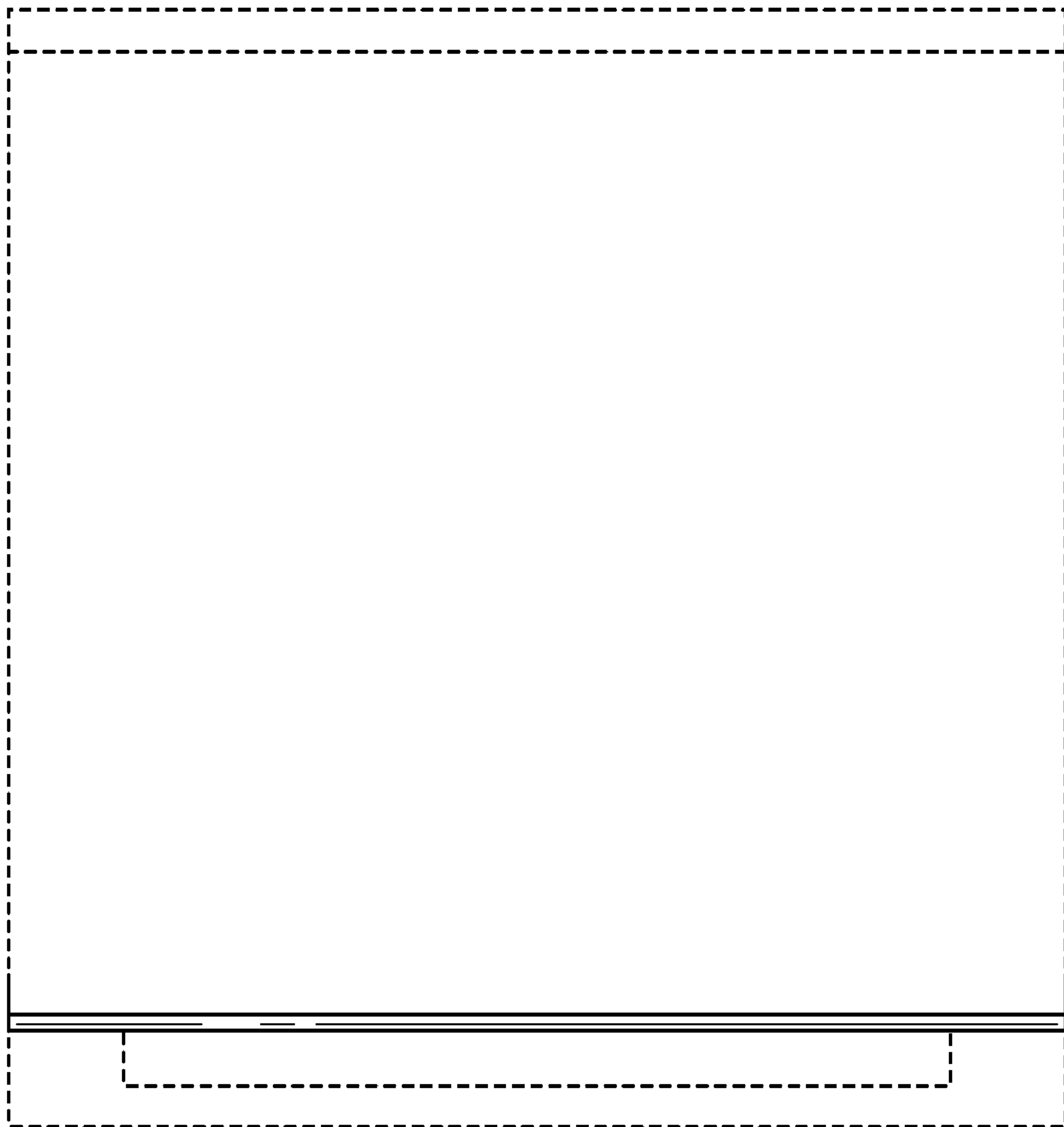


FIG. 5

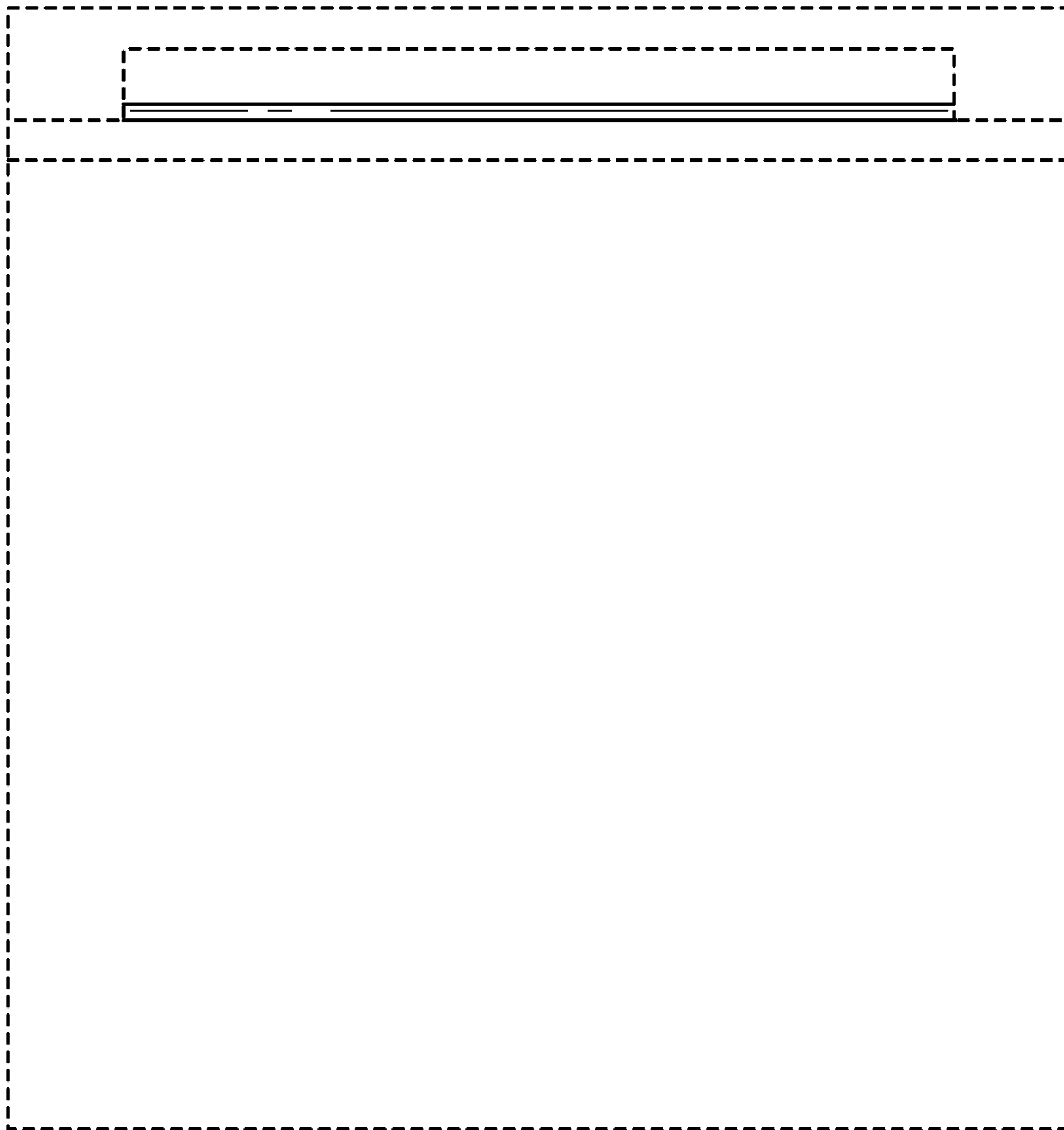


FIG. 6