



US00D566463S

(12) **United States Design Patent**  
**Chung**

(10) **Patent No.:** **US D566,463 S**

(45) **Date of Patent:** **\*\* Apr. 15, 2008**

(54) **PLATFORM OF A BARBECUE GRILL**

(76) Inventor: **Kiosky Chung**, P.O. Box 2568  
Taichung, Taichung City 40099 (TW)

(\*\*) Term: **14 Years**

(21) Appl. No.: **29/262,788**

(22) Filed: **Jul. 11, 2006**

(51) **LOC (8) Cl.** ..... **07-02**

(52) **U.S. Cl.** ..... **D7/402**

(58) **Field of Classification Search** ..... D7/350.1,  
D7/350.3-350.4, 351, 402, 405, 339-340,  
D7/348-349; 126/19 M, 21 R, 275 E, 273 A;  
219/756-758; D6/425, 492, 511; 211/135,  
211/153; 108/59

See application file for complete search history.

(56) **References Cited**

**U.S. PATENT DOCUMENTS**

|              |         |                   |        |
|--------------|---------|-------------------|--------|
| D377,734 S * | 2/1997  | Bird et al. ....  | D7/402 |
| D435,396 S * | 12/2000 | Wagner .....      | D7/402 |
| D436,004 S * | 1/2001  | Wagner .....      | D7/402 |
| D462,234 S * | 9/2002  | Alden et al. .... | D7/402 |

2001/0015201 A1\* 8/2001 Pollock et al. .... 126/41 R

\* cited by examiner

*Primary Examiner*—Ruth McInroy

(74) *Attorney, Agent, or Firm*—Banger Shia

(57) **CLAIM**

I claim the ornamental design for a platform of a barbecue grill, as shown and described.

**DESCRIPTION**

FIG. 1 is a perspective view of a platform of a barbecue grill, showing my new design;

FIG. 2 is a front elevational view thereof;

FIG. 3 is a rear elevational view thereof;

FIG. 4 is a left side elevational view thereof;

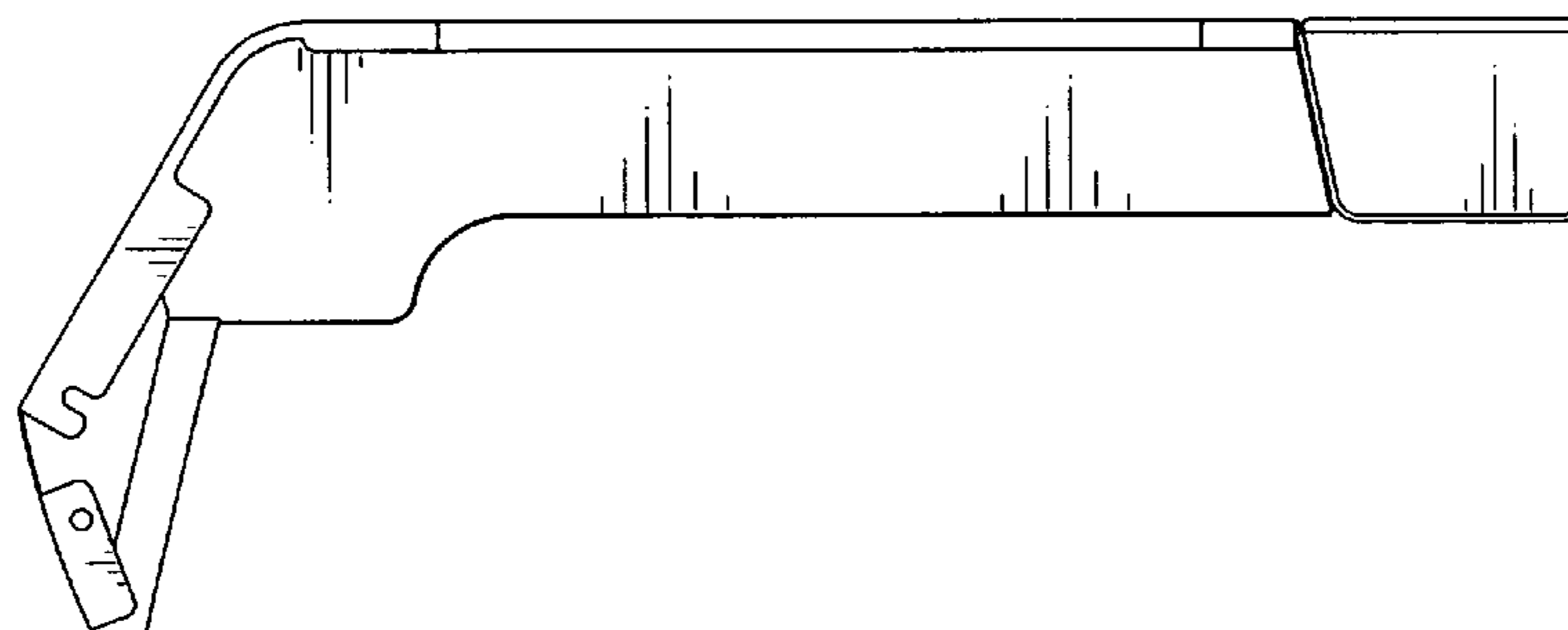
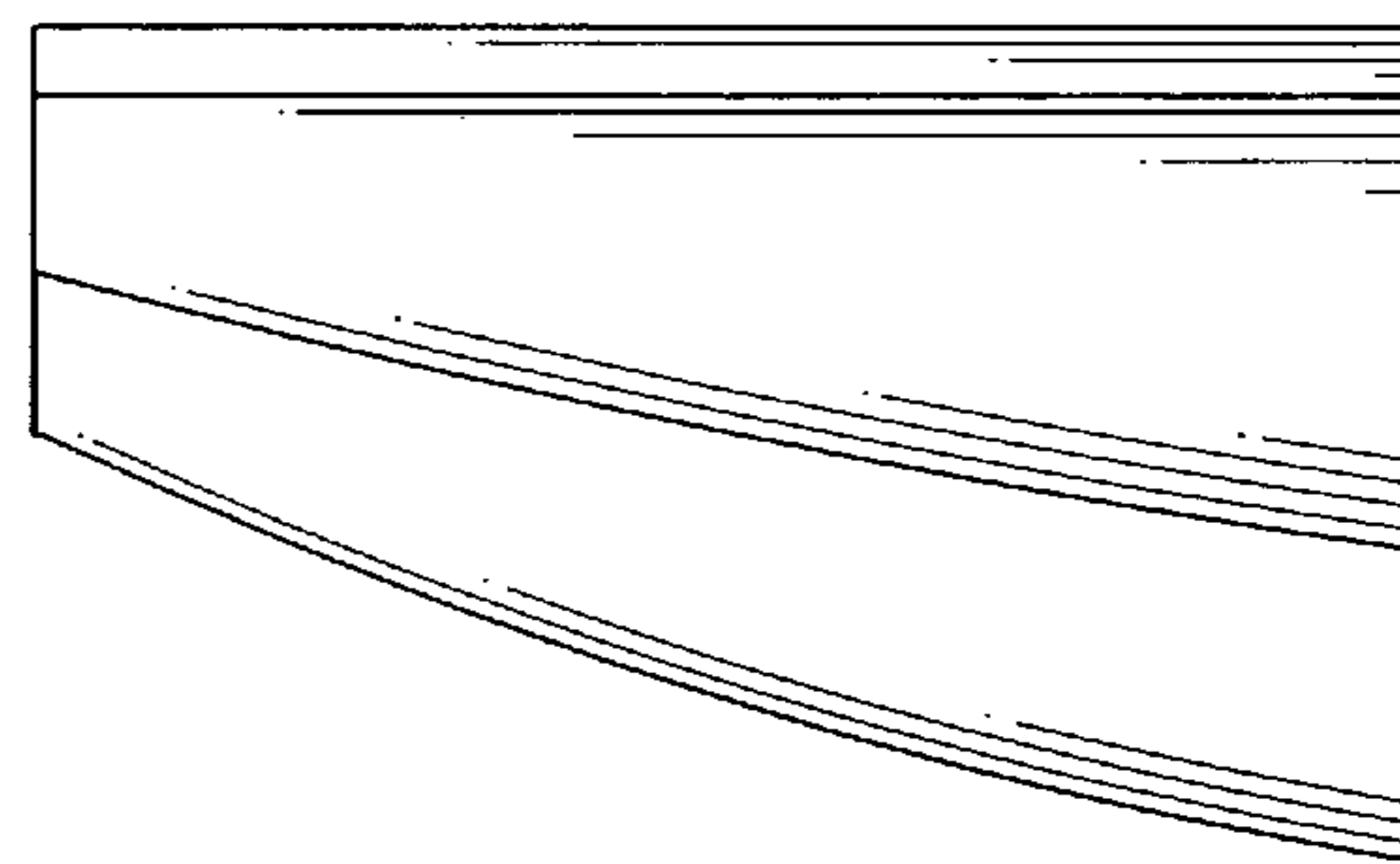
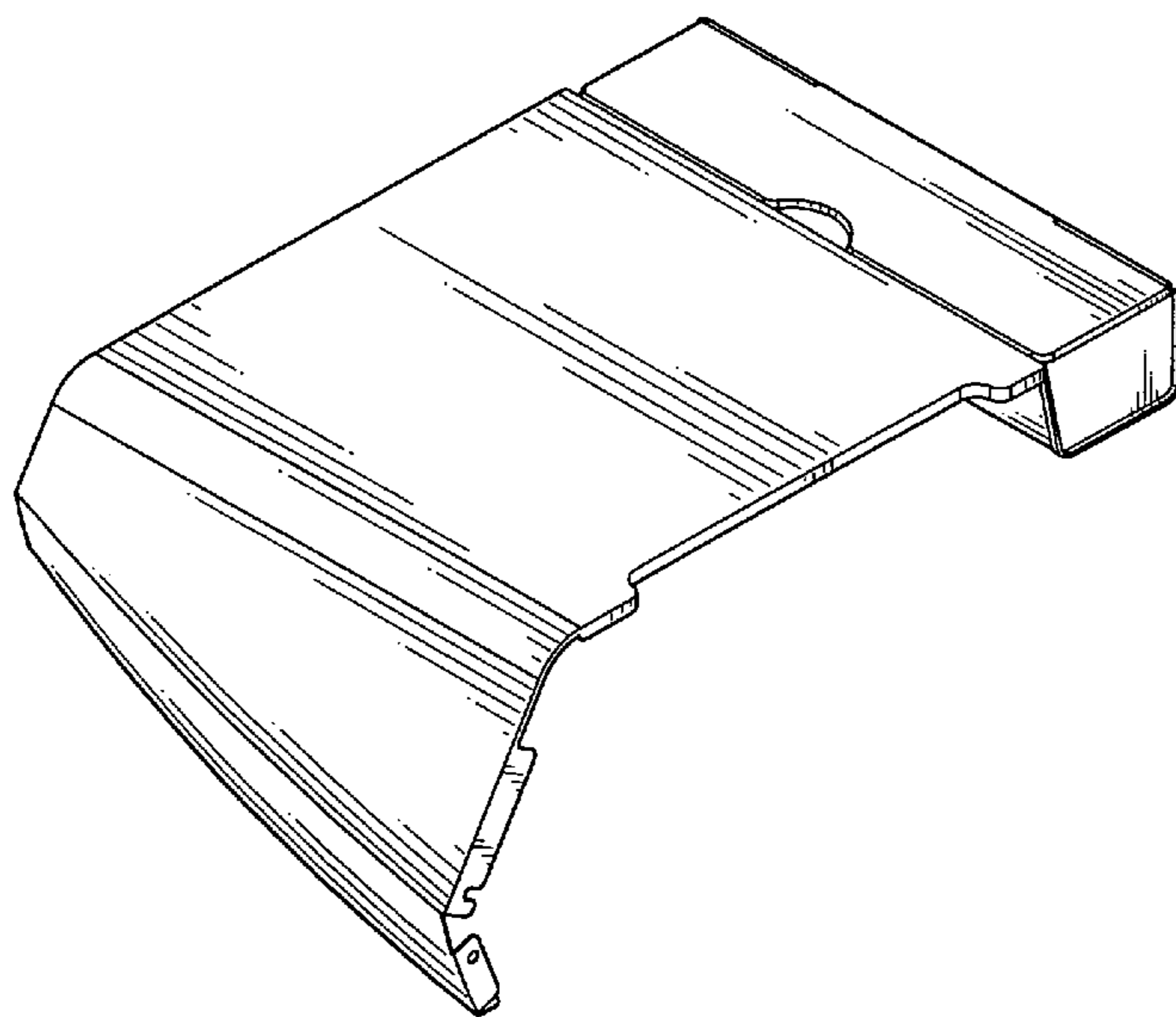
FIG. 5 is a right side elevational view thereof;

FIG. 6 is a top plan view thereof; and

FIG. 7 is a bottom plan view thereof; and,

FIG. 8 is a perspective view thereof, the grill shown in broken lines forms no part of the claimed design.

**1 Claim, 8 Drawing Sheets**



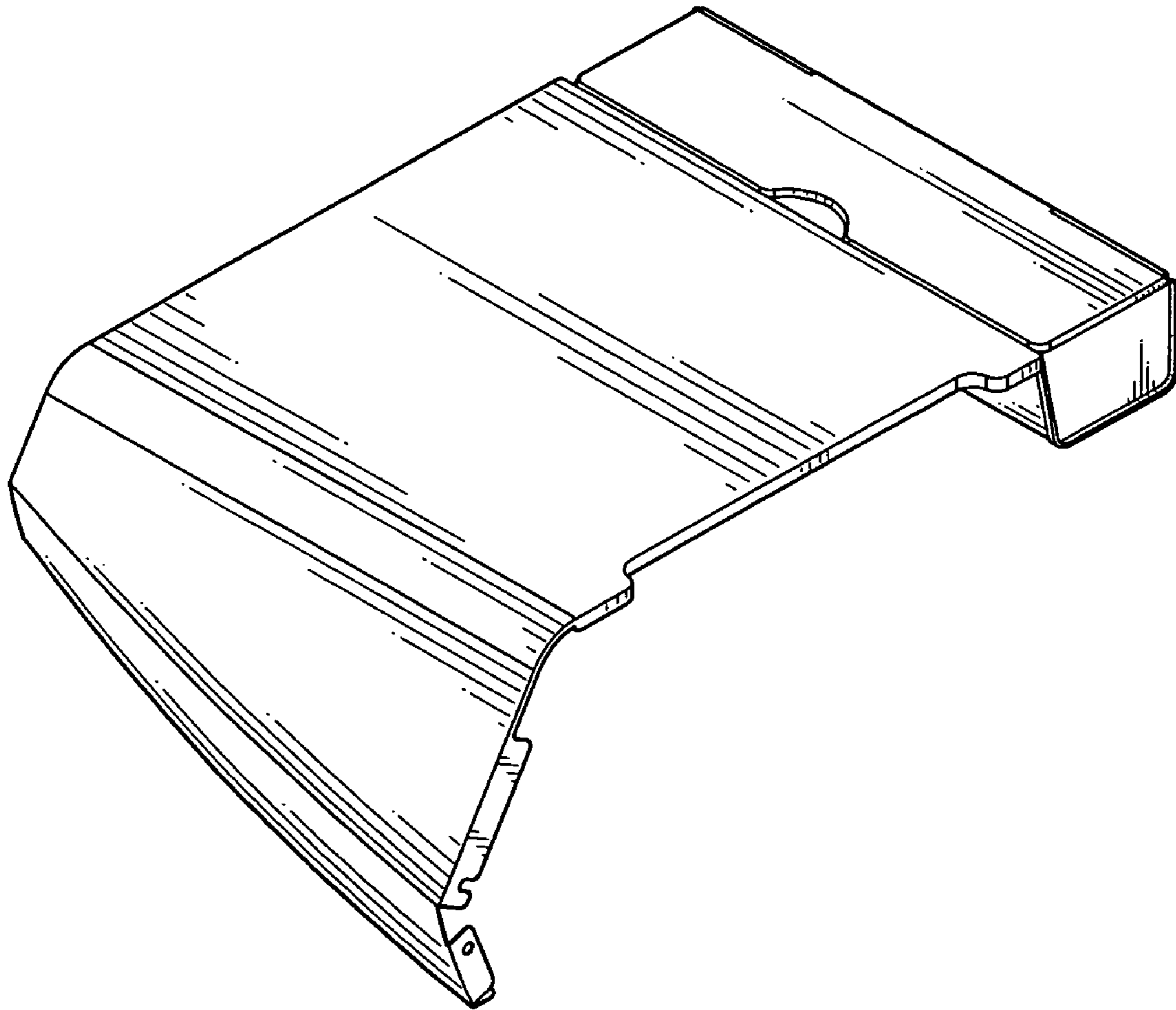


FIG. 1

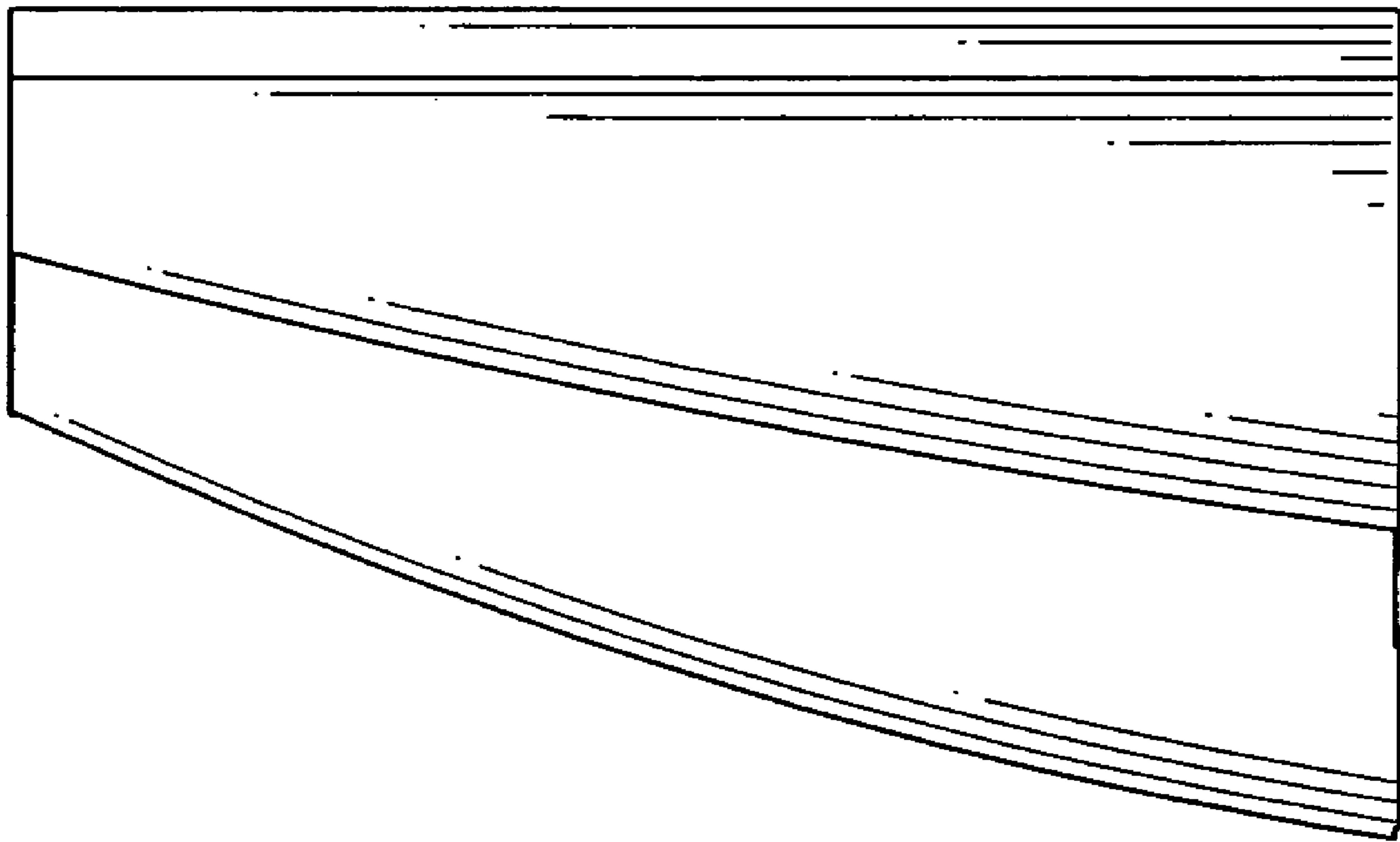


FIG. 2

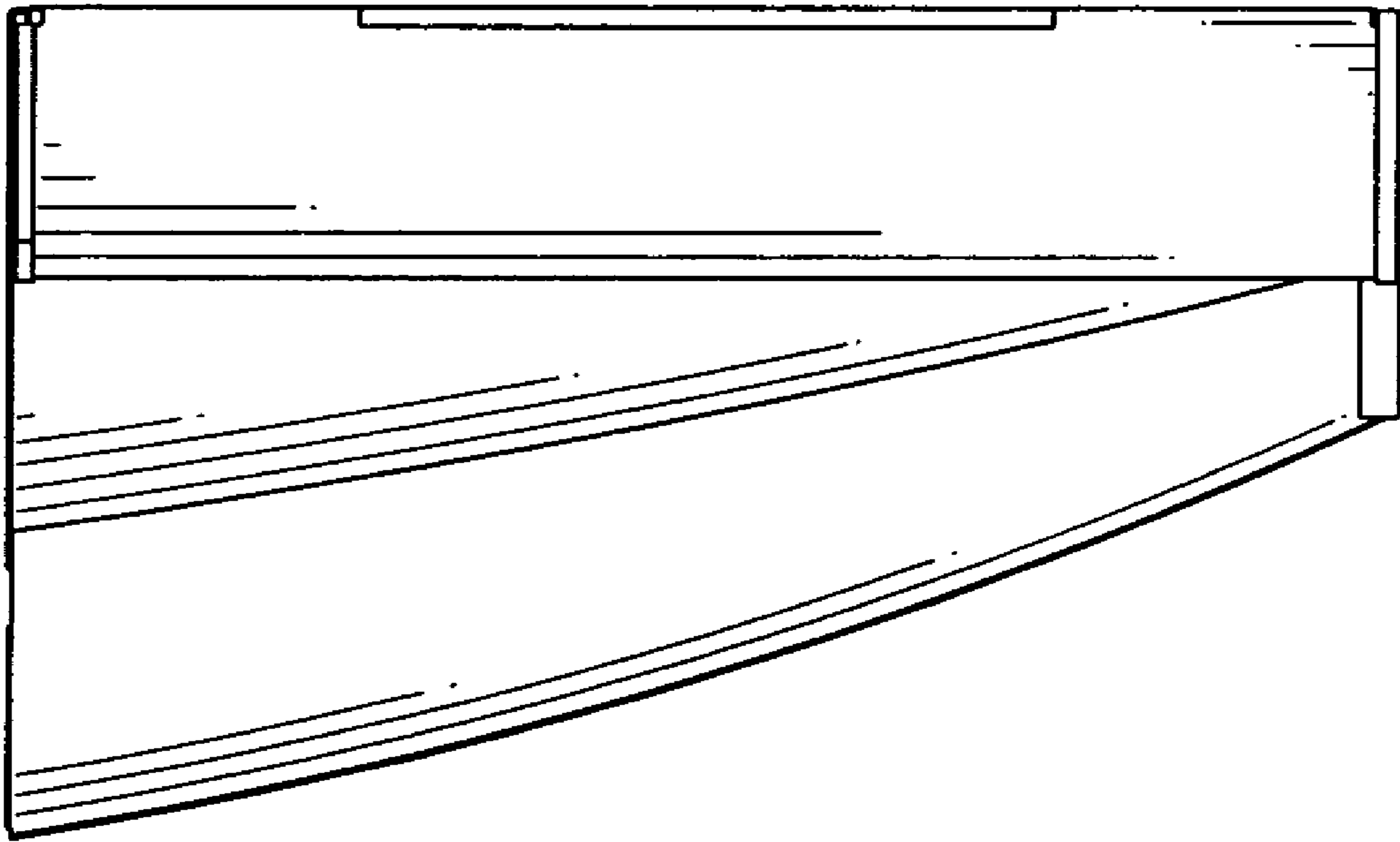


FIG. 3

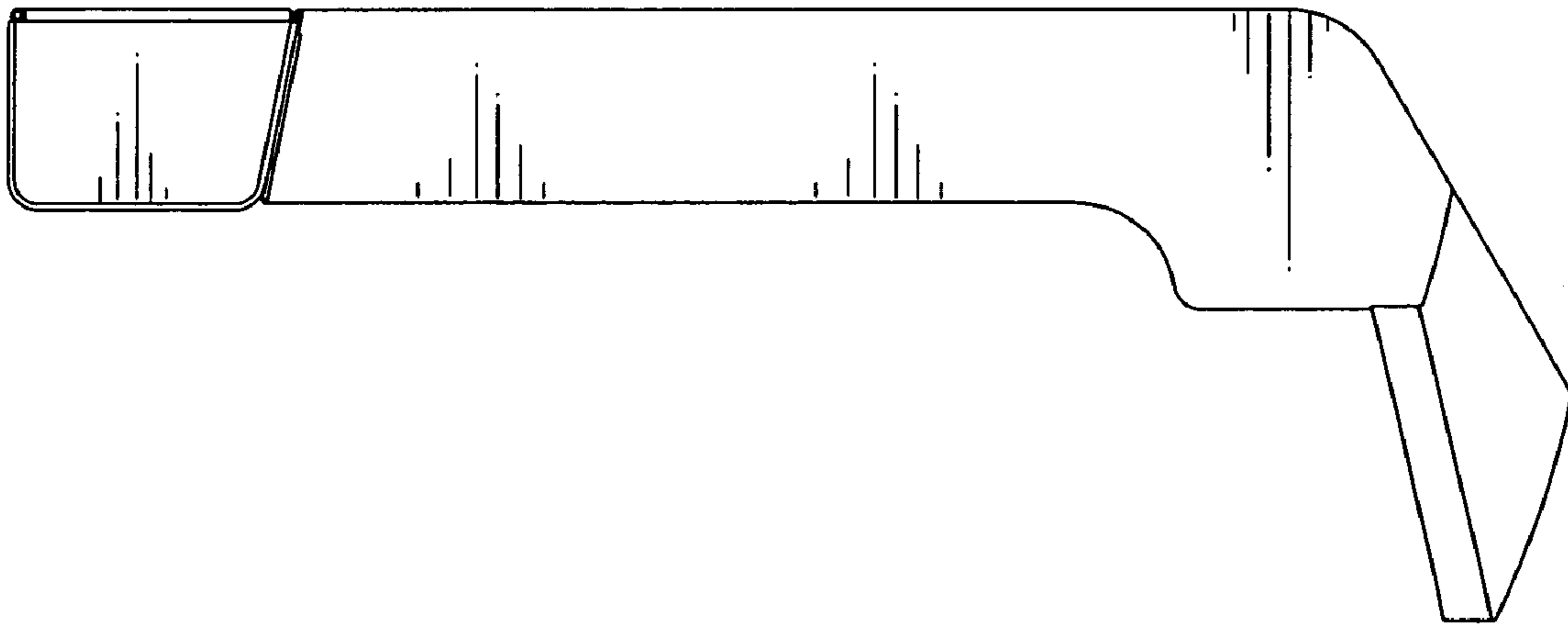


FIG. 4

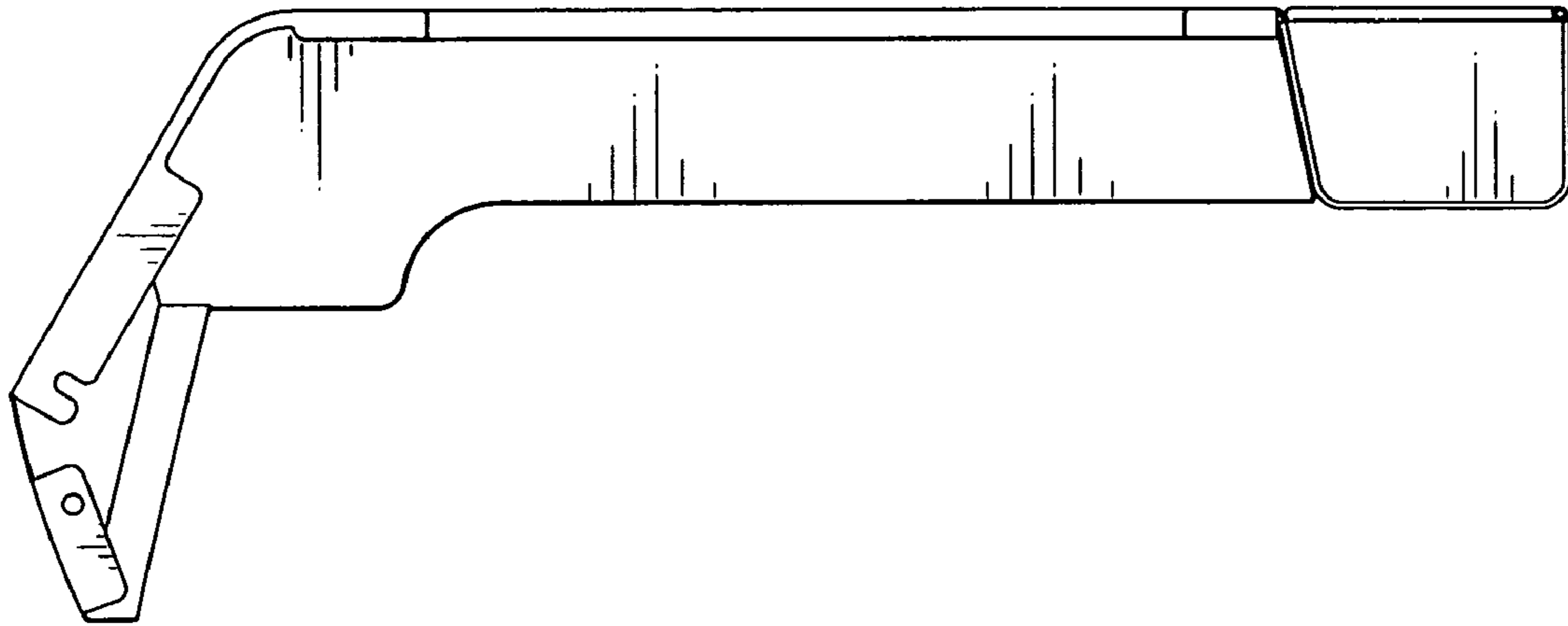


FIG. 5

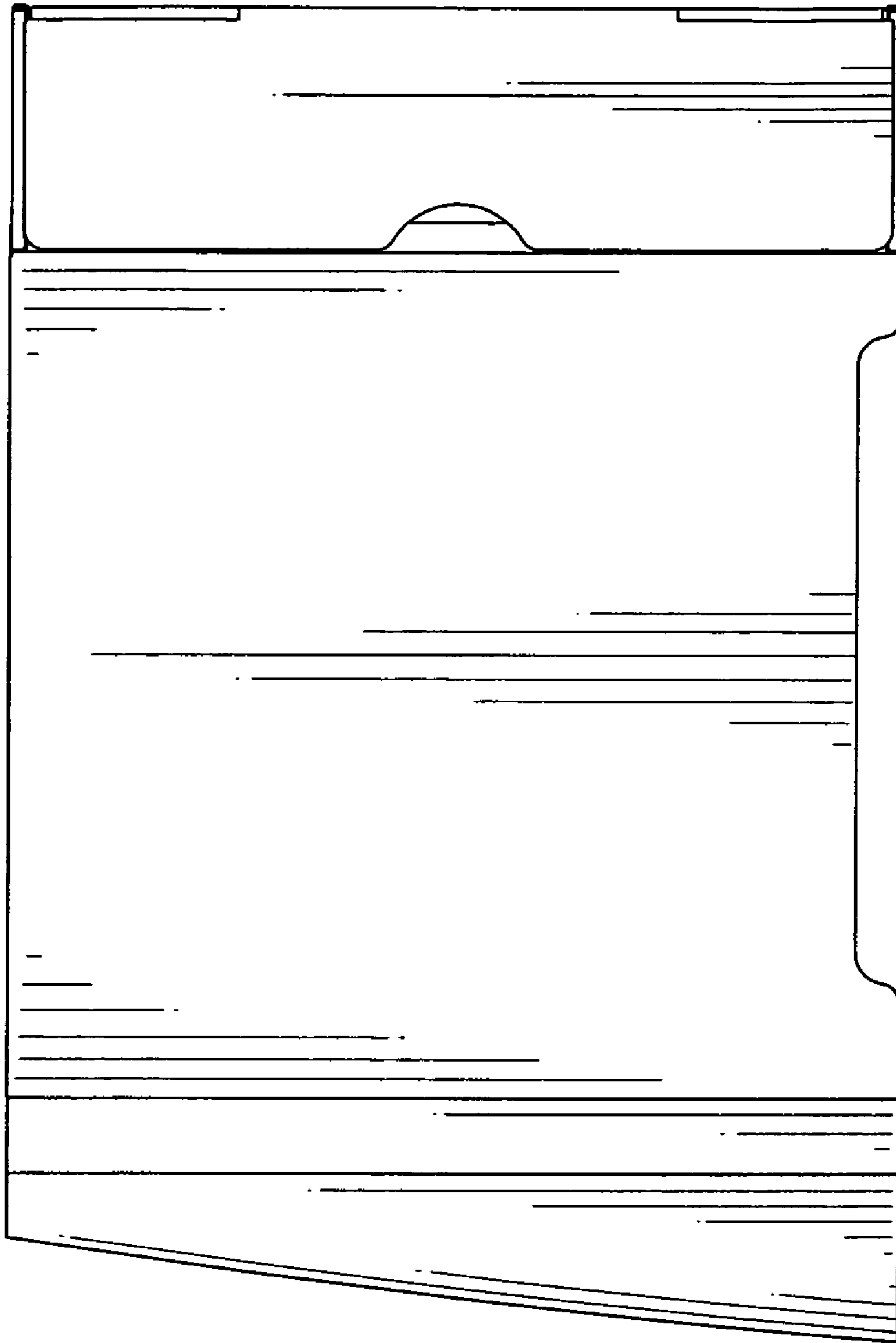


FIG. 6

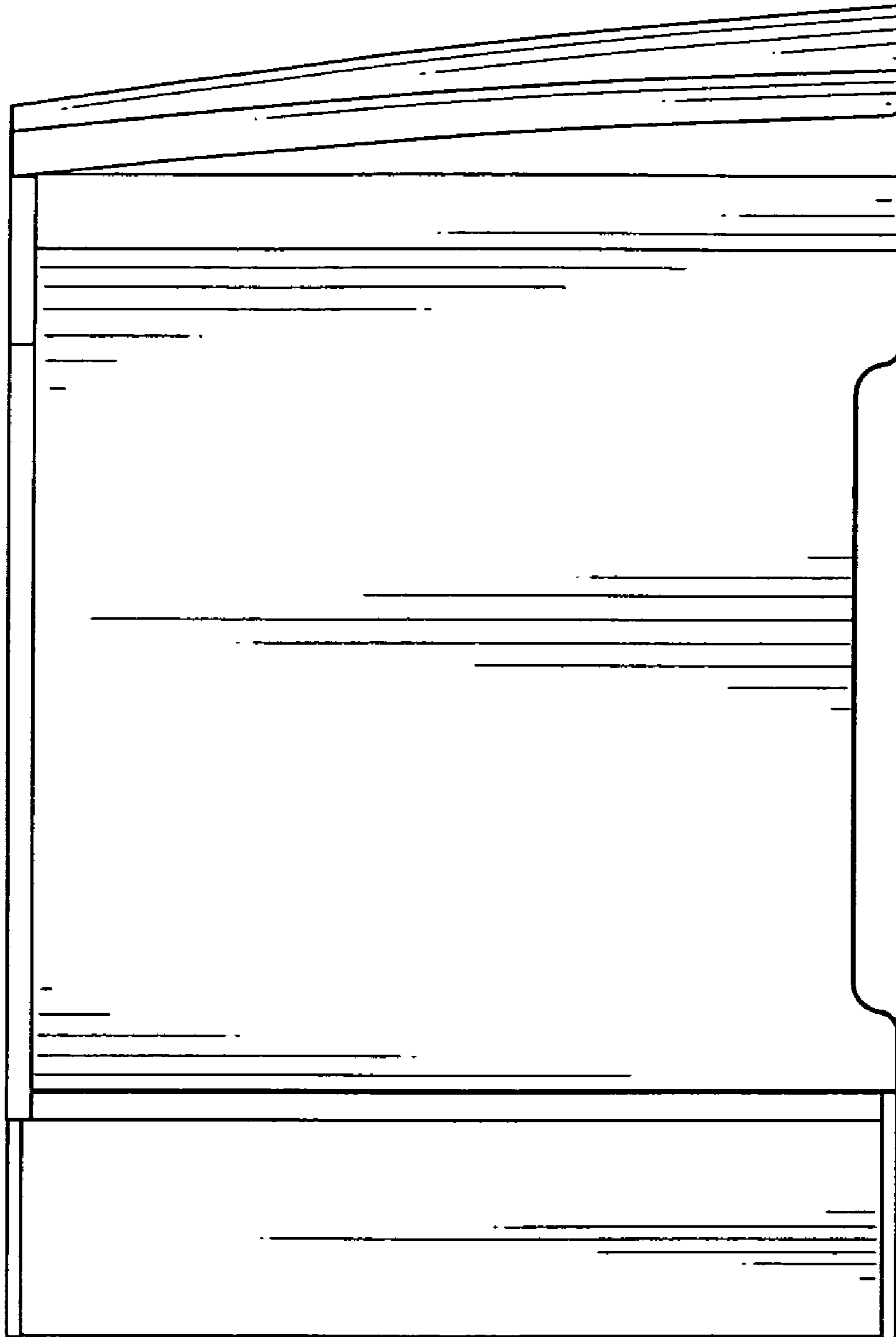


FIG. 7



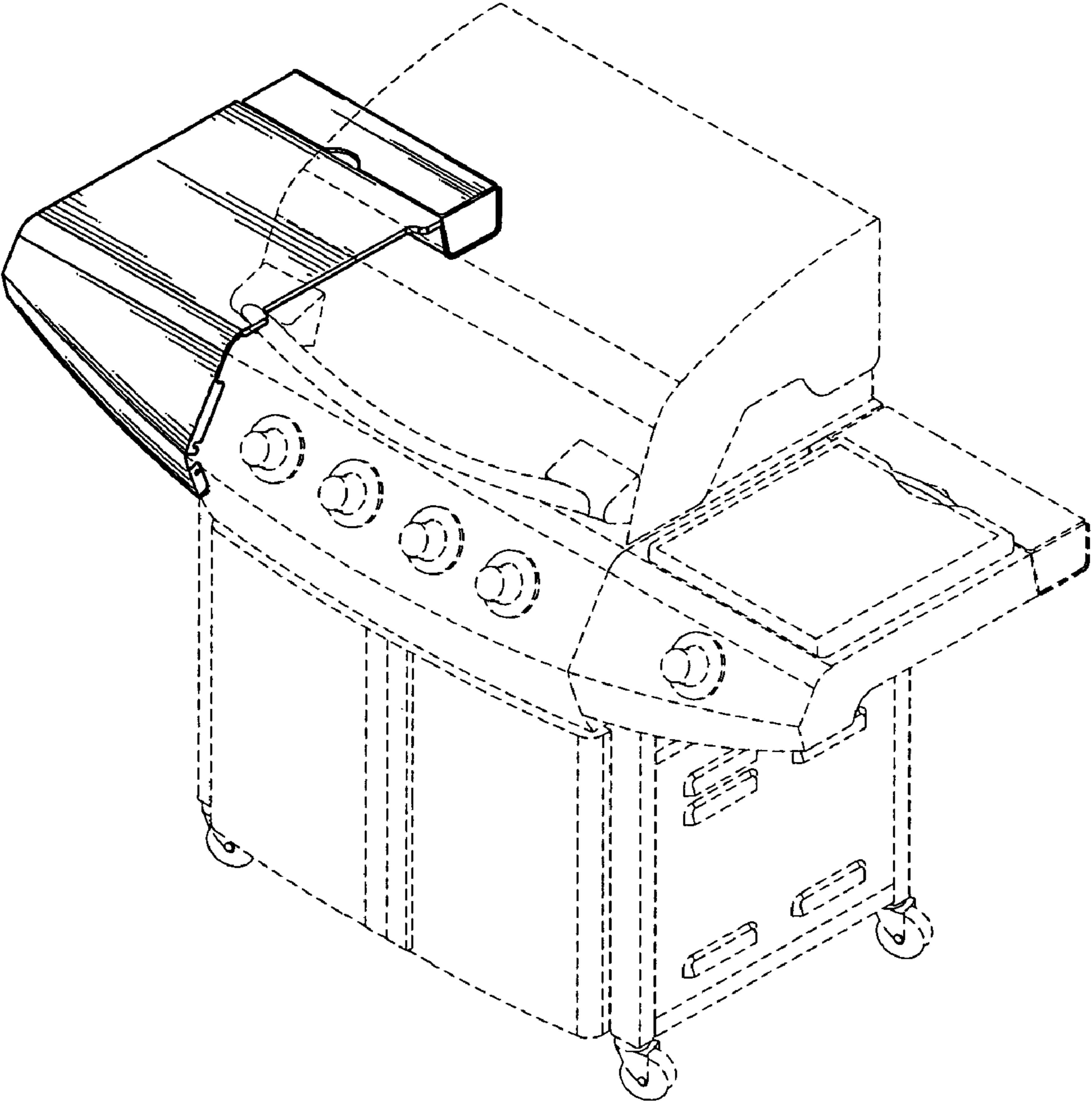


FIG. 8